



MOTOROLA
intelligence everywhere™

digital dna™

M68HC11

Reference Manual

M68HC11
Microcontrollers

M68HC11RM/D
Rev. 6, 4/2002

WWW.MOTOROLA.COM/SEMICONDUCTORS

M68HC11

Reference Manual

To provide the most up-to-date information, the revision of our documents on the World Wide Web will be the most current. Your printed copy may be an earlier revision. To verify you have the latest information available, refer to:

<http://www.motorola.com/semiconductors/>

The following revision history table summarizes changes contained in this document. For your convenience, the page number designators have been linked to the appropriate location.

Revision History

Revision History

Date	Revision Level	Description	Page Number(s)
June, 2001	4	Reformatted to meet current publications standards	
		Index — Updated	631
February, 2002	5	Figure 9-4. Baud Rate Control Register (BAUD) — Address designation corrected to \$102B	327
April, 2002	6	ADD Instruction — Corrected table head from ADCA to ADDA	496
		AND Instruction — Corrected table head from ADCA to ANDA	498
		ASL Instruction — Corrected table heads ASLA (IMM) to ASLA (INH) and ASLB (DIR) to ASLB (INH)	499
		ASR Instruction — Corrected table heads ASRA (IMM) to ASRA (INH) and ASRB (DIR) to ASRB (INH)	501
		BIT Instruction — Corrected second table entry for Data under BITA (IND,Y) from AS to A5 and under BITB (IND,Y) from ES to E5	510
		CLR Instruction — Corrected table head from CLRA (IMM) to CLRA (INH) and CLRB (DIR) to CLRB (INH)	529
		STY Instruction — Corrected second table entry for Data under STY (IND,X) EE to EF	584
		WAI Instruction — Changed I bit designation from 1 to —	598

List of Sections

Section 1. General Description	27
Section 2. Pins and Connections	35
Section 3. Configuration and Modes of Operation	85
Section 4. On-Chip Memory	121
Section 5. Resets and Interrupts	159
Section 6. Central Processor Unit (CPU)	197
Section 7. Parallel Input/Output	229
Section 8. Synchronous Serial Peripheral Interface	291
Section 9. Asynchronous Serial Communications Interface	317
Section 10. Main Timer and Real-Time Interrupt	367
Section 11. Pulse Accumulator	443
Section 12. Analog-to-Digital Converter System	459
Appendix A. Instruction Set Details	487
Appendix B. Bootloader Listings	603
Index	631

List of Sections

Table of Contents

Section 1. General Description

1.1	Contents	27
1.2	Introduction	27
1.3	General Description of the MC68HC11A8	28
1.4	Programmer's Model	29
1.5	Product Derivatives	32

Section 2. Pins and Connections

2.1	Contents	35
2.2	Introduction	36
2.3	Packages and Pin Names	37
2.3.1	MC68HC11A8	38
2.3.2	MC68HC11D3/MC68HC711D3	39
2.3.3	MC68HC11E9/MC68HC711E9	40
2.3.4	MC68HC811E2	41
2.3.5	MC68HC11F1	43
2.3.6	MC68HC24 Port Replacement Unit	44
2.4	Pin Descriptions	44
2.4.1	Power-Supply Pins (V_{DD} and V_{SS})	45
2.4.2	Mode Select Pins ($MODB/V_{STBY}$ and $MODA/LIR$)	46
2.4.3	Crystal Oscillator and Clock Pins (EXTAL, XTAL, and E)	50
2.4.4	Crystal Oscillator Application Information	55
2.4.4.1	Crystals for Parallel Resonance	55
2.4.4.2	Using Crystal Oscillator Outputs	56
2.4.4.3	Using External Oscillator	56
2.4.4.4	AT-Strip versus AT-Cut Crystals	56
2.4.5	Reset Pin (\overline{RESET})	56

Table of Contents

2.4.6	Interrupt Pins (\overline{XIRQ} and \overline{IRQ})	58
2.4.7	A/D Reference and Port E Pins (V_{REFL} , V_{REFH} , and PE7–PE0)	59
2.4.8	Timer Port A Pins	61
2.4.9	Serial Port D Pins	61
2.4.10	Ports B and C and STRA and STRB Pins	62
2.5	Termination of Unused Pins	64
2.6	Avoidance of Pin Damage	66
2.6.1	Zap and Latchup	67
2.6.2	Protective Interface Circuits	68
2.6.3	Internal Circuitry — Digital Input-Only Pin	68
2.6.4	Internal Circuitry — Analog Input-Only Pin	70
2.6.5	Internal Circuitry — Digital I/O Pin	72
2.6.6	Internal Circuitry — Input/Open-Drain-Output Pin	73
2.6.7	Internal Circuitry — Digital Output-Only Pin	74
2.6.8	Internal Circuitry — \overline{MODB}/V_{STBY} Pin	74
2.6.9	Internal Circuitry — $\overline{IRQ}/V_{PPBULK}$ Pin	76
2.7	Typical Expanded Mode System Connections	77
2.8	Typical Single-Chip Mode System Connections	81
2.9	System Development and Debug Features	82
2.9.1	Load Instruction Register (LIR)	82
2.9.2	Internal Read Visibility (IRV)	82
2.9.3	MC68HC24 Port Replacement Unit (PRU)	83

Section 3. Configuration and Modes of Operation

3.1	Contents	85
3.2	Introduction	86
3.3	Hardware Mode Selection	86
3.3.1	Hardware Mode Select Pins	87
3.3.2	Mode Control Bits in the HPRIO Register	88
3.4	EEPROM-Based Configuration (CONFIG) Register	89
3.4.1	Operation of CONFIG Mechanism	90
3.4.2	CONFIG Register	91

3.5	Protected Control Register Bits	94
3.5.1	RAM and I/O Mapping Register (INIT)	95
3.5.2	Protected Control Bits in the TMSK2 Register	98
3.5.3	Protected Control Bits in the OPTION Register	99
3.6	Normal MCU Operating Modes	101
3.6.1	Normal Single-Chip Mode	101
3.6.2	Normal Expanded Mode	101
3.7	Special MCU Operating Modes	102
3.7.1	Testing Functions Control Register (TEST1)	104
3.7.2	Test-Related Control Bits in the BAUD Register	107
3.7.3	Special Test Mode	108
3.7.4	Special Bootstrap Mode	109
3.7.4.1	Loading Programs in Bootstrap Mode	110
3.7.4.2	Executing User Programs in Bootstrap Mode	111
3.7.4.3	Using Interrupts in Bootstrap Mode	112
3.7.4.4	Bootloader Firmware Options	113
3.8	Test and Bootstrap Mode Applications	114
3.9	Example 3-1: Programming CONFIG (Uses Special Test Mode)	115

Section 4. On-Chip Memory

4.1	Contents	121
4.2	Introduction	122
4.3	Read-Only Memory (ROM)	122
4.4	Random-Access Memory (RAM)	124
4.4.1	Remapping Using the INIT Register	124
4.4.2	RAM Standby	125
4.5	Electrically Erasable Programmable ROM (EEPROM)	127
4.5.1	Logical and Physical Organization	127
4.5.2	Basic Operation of the EEPROM	129
4.5.3	Systems Operating Below 2-MHz Bus Speed (E Clock)	134
4.5.4	EEPROM Programming Register (PPROG)	134

Table of Contents

4.5.5	Programming/Erasing Procedures	137
4.5.5.1	Programming	138
4.5.5.2	Bulk Erase	138
4.5.5.3	Row Erase	139
4.5.5.4	Byte Erase	139
4.5.5.5	CONFIG Register	139
4.5.6	Optional EEPROM Security Mode	140
4.6	EEPROM Application Information	143
4.6.1	Conditions and Practices to Avoid	144
4.6.2	Using EEPROM to Select Product Options	146
4.6.3	Using EEPROM for Setpoint and Calibration Information	146
4.6.4	Using EEPROM during Product Development	148
4.6.5	Logging Data	148
4.6.6	Self-Adjusting Systems Using EEPROM	149
4.6.7	Software Methods to Extend Life Expectancy	150

Section 5. Resets and Interrupts

5.1	Contents	159
5.2	Introduction	160
5.3	Initial Conditions Established During Reset	161
5.3.1	System Initial Conditions	162
5.3.1.1	Central Processor Unit (CPU)	162
5.3.1.2	Memory Map	162
5.3.1.3	Parallel Input/Output (I/O)	162
5.3.1.4	Timer	163
5.3.1.5	Real-Time Interrupt	163
5.3.1.6	Pulse Accumulator	163
5.3.1.7	Computer Operating Properly (COP) Watchdog	164
5.3.1.8	Serial Communications Interface (SCI)	164
5.3.1.9	Serial Peripheral Interface (SPI)	164
5.3.1.10	Analog-to-Digital (A/D) Converter	164
5.3.1.11	Other System Controls	165
5.3.2	CONFIG Register Allows Flexible Configuration	165
5.3.3	Mode of Operation Established	166
5.3.4	Program Counter Loaded with Reset Vector	167

5.4	Causes of Reset	167
5.4.1	Power-On Reset (POR)	169
5.4.2	COP Watchdog Timer Reset	170
5.4.3	Clock Monitor Reset	172
5.4.4	External Reset	174
5.5	Interrupt Process	175
5.5.1	Interrupt Recognition and Stacking Registers	177
5.5.2	Selecting Interrupt Vectors	178
5.5.3	Return from Interrupt	181
5.6	Non-Maskable Interrupts	181
5.6.1	Non-Maskable Interrupt Request (\overline{XIRQ})	186
5.6.2	Illegal Opcode Fetch	188
5.6.3	Software Interrupt	189
5.7	Maskable Interrupts	190
5.7.1	I Bit in the Condition Code Register	190
5.7.2	Special Considerations for I-Bit-Related Instructions	192
5.8	Interrupt Request	192
5.8.1	Selecting Edge Triggering or Level Triggering	193
5.8.2	Sharing Vector with Handshake I/O Interrupts	194
5.9	Interrupts from Internal Peripheral Subsystems	195
5.9.1	Inhibiting Individual Sources	195
5.9.2	Clearing Interrupt Status Flag Bits	195
5.9.3	Automatic Clearing Mechanisms on Some Flags	196

Section 6. Central Processor Unit (CPU)

6.1	Contents	197
6.2	Introduction	198
6.3	Programmer's Model	199
6.3.1	Accumulators (A, B, and D)	200
6.3.2	Index Registers (X and Y)	200
6.3.3	Stack Pointer (SP)	201
6.3.4	Program Counter (PC)	203
6.3.5	Condition Code Register (CCR)	203

Table of Contents

6.4	Addressing Modes	206
6.4.1	Immediate (IMM)	206
6.4.2	Extended (EXT)	208
6.4.3	Direct (DIR)	208
6.4.4	Indexed (INDX and INDY)	210
6.4.5	Inherent (INH)	211
6.4.6	Relative (REL)	212
6.5	M68HC11 Instruction Set	213
6.5.1	Accumulator and Memory Instructions	214
6.5.1.1	Loads, Stores, and Transfers	215
6.5.1.2	Arithmetic Operations	216
6.5.1.3	Multiply and Divide	217
6.5.1.4	Logical Operations	218
6.5.1.5	Data Testing and Bit Manipulation	219
6.5.1.6	Shifts and Rotates	220
6.5.2	Stack and Index Register Instructions	221
6.5.3	Condition Code Register Instructions	223
6.5.4	Program Control Instructions	224
6.5.4.1	Branches	225
6.5.4.2	Jumps	226
6.5.4.3	Subroutine Calls and Returns (BSR, JSR, and RTS)	226
6.5.4.4	Interrupt Handling (RTI, SWI, and WAI)	227
6.5.4.5	Miscellaneous (NOP, STOP, and TEST)	227

Section 7. Parallel Input/Output

7.1	Contents	229
7.2	Introduction	230
7.3	Parallel I/O Overview	231
7.4	Parallel I/O Register and Control Bit Explanations	234
7.4.1	Port Registers	236
7.4.2	Data Direction Registers	236

7.5	Detailed I/O Pin Descriptions	238
7.5.1	Port A	238
7.5.1.1	PA2–PA0 (IC3–IC1) Pin Logic	238
7.5.1.2	PA6–PA3 (OC5–OC2) Pin Logic	240
7.5.1.3	PA7 (OC1 and PAI) Pin Logic	242
7.5.1.4	Port A Idealized Timing	244
7.5.2	Port B	245
7.5.2.1	Port B Pin Logic	245
7.5.2.2	Port B Idealized Timing	246
7.5.2.3	Special Considerations for Port B on MC68HC24 PRU	248
7.5.3	R/W (STRB) Pin	248
7.5.3.1	R/W (STRB) Pin Logic	248
7.5.3.2	Special Considerations for STRB on MC68HC24 PRU	250
7.5.4	Port C	251
7.5.4.1	Port C Pin Logic for Expanded Modes	251
7.5.4.2	Summary of Port C Idealized Expanded Mode Timing	252
7.5.4.3	Port C Single-Chip Mode Pin Logic	253
7.5.4.4	Port C Idealized Single-Chip Mode Timing	257
7.5.4.5	Special Considerations for Port C on MC68HC24 PRU	259
7.5.5	AS (STRA) Pin	259
7.5.5.1	AS (STRA) Pin Logic	259
7.5.5.2	Special Considerations for STRA on MC68HC24 PRU	261
7.5.6	Port D	261
7.5.6.1	PD0 (RxD) Pin Logic	262
7.5.6.2	PD1 (TxD) Pin Logic	264
7.5.6.3	PD2 (MISO) Pin Logic	266
7.5.6.4	PD3 (MOSI) Pin Logic	269
7.5.6.5	PD4 (SCK) Pin Logic	272
7.5.6.6	PD5 (SS) Pin Logic	274
7.5.6.7	Idealized Port D Timing	277
7.5.7	Port E	278
7.5.7.1	Port E Pin Logic	278
7.5.7.2	Idealized Port E Timing	280

7.6	Handshake I/O Subsystem	281
7.6.1	Simple Strobe Mode	282
7.6.1.1	Port B Strobe Output	283
7.6.1.2	Port C Simple Latching Input	283
7.6.2	Full-Input Handshake Mode	283
7.6.3	Full-Output Handshake Mode	285
7.6.3.1	Normal Output Handshake	286
7.6.3.2	Three-State Variation of Output Handshake	286
7.6.4	Parallel I/O Control Register (PIOC)	286
7.6.5	Non-Handshake Uses of STRA and STRB Pins	290

Section 8. Synchronous Serial Peripheral Interface

8.1	Contents	291
8.2	Introduction	292
8.3	SPI Transfer Formats	293
8.3.1	SPI Clock Phase and Polarity Controls	293
8.3.2	CPHA Equals Zero Transfer Format	293
8.3.3	CPHA Equals One Transfer Format.	294
8.4	SPI Block Diagram	295
8.5	SPI Pin Signals.	295
8.6	SPI Registers	298
8.6.1	Port D Data Direction Control Register (DDRD).	298
8.6.2	SPI Control Register (SPCR).	300
8.6.3	SPI Status Register (SPSR).	302
8.7	SPI System Errors	303
8.7.1	SPI Mode-Fault Error	303
8.7.2	SPI Write-Collision Errors.	304
8.8	Beginning and Ending SPI Transfers	305
8.8.1	Transfer Beginning Period (Initiation Delay).	305
8.8.2	Transfer Ending Period	306
8.9	Transfers to Peripherals with Odd Word Lengths.	309
8.9.1	Example 8-1: On-Chip SPI Driving an MC144110 D/A . . .	311
8.9.2	Example 8-2: Software SPI Driving an MC144110 D/A . . .	311

Section 9. Asynchronous Serial Communications Interface

9.1	Contents	317
9.2	Introduction	318
9.3	General Description	318
9.3.1	Transmitter Block Diagram	319
9.3.2	Receiver Block Diagram	321
9.4	SCI Registers and Control Bits	323
9.4.1	Port D Related Registers and Control Bits (PORTD, DDRD, and SPCR)	325
9.4.2	Baud-Rate Control Register (BAUD)	327
9.4.3	SCI Control Register 1 (SCCR1)	329
9.4.4	SCI Control Register 2 (SCCR2)	331
9.4.5	SCI Status Register (SCSR)	333
9.4.6	SCI Data Register (SCDR)	337
9.5	SCI Transmitter	338
9.5.1	8- and 9-Bit Data Modes	339
9.5.2	Interrupts and Status Flags	340
9.5.3	Send Break	341
9.5.4	Queued Idle Character	341
9.5.5	Disabling the SCI Transmitter	343
9.5.6	TxD Pin Buffer Logic	344
9.6	SCI Receiver	346
9.6.1	Data Sampling Technique	346
9.6.2	Worst-Case Baud-Rate Mismatch	353
9.6.3	Double-Buffered Operation	355
9.6.4	Receive Status Flags and Interrupts	355
9.6.5	Receiver Wakeup Operation	356
9.6.5.1	Idle-Line Wakeup	356
9.6.5.2	Address-Mark Wakeup	357
9.7	Baud-Rate Generator	357
9.7.1	Timing Chain Block Diagram	358
9.7.2	Baud Rates versus Crystal Frequency	358

9.8	SCI Timing Details	359
9.8.1	Operation as Transmitter Is Enabled	361
9.8.2	TDRE and Transfers from SCDR to Transmit Shift Register	361
9.8.3	TC versus Character Completion	363
9.8.4	RDRF Flag Setting versus End of a Received Character	363

Section 10. Main Timer and Real-Time Interrupt

10.1	Contents	367
10.2	Introduction	368
10.3	General Description	368
10.3.1	Overall Timer Block Diagram	369
10.3.2	Input-Capture Concept	371
10.3.3	Output-Compare Concept	372
10.4	Free-Running Counter and Prescaler	373
10.4.1	Overall Clock Divider Structure	375
10.4.1.1	Prescaler	378
10.4.1.2	Overflow	380
10.4.1.3	Counter Bypass (Test Mode)	382
10.4.2	Real-Time Interrupt (RTI) Function	382
10.4.3	Computer Operating Properly (COP) Watchdog Function	386
10.4.4	Tips for Clearing Timer Flags	387
10.5	Input-Capture Functions	389
10.5.1	Programmable Options	392
10.5.2	Using Input Capture to Measure Period and Frequency	393
10.5.3	Using Input Capture to Measure Pulse Width	396
10.5.4	Measuring Very Short Time Periods	401
10.5.5	Measuring Long Time Periods with Input Capture and Overflow	401
10.5.6	Establishing a Relationship between Software and an Event	405
10.5.7	Other Uses for Input-Capture Pins	406

10.6	Output-Compare Functions	406
10.6.1	Normal Input/Output Pin Control Using OC5–OC2	412
10.6.2	Advanced Input/Output Pin Control Using OC1	415
10.6.2.1	One Output Compare Controlling up to Five Pins	416
10.6.2.2	Two Output Compares Controlling One Pin	417
10.6.3	Forced Output Compares	420
10.7	Timing Details for the Main Timer System	421
10.8	Listing of Timer Examples	425

Section 11. Pulse Accumulator

11.1	Contents	443
11.2	Introduction	443
11.3	General Description	444
11.3.1	Pulse Accumulator Block Diagram	445
11.3.2	Pulse Accumulator Control and Status Registers	447
11.4	Event Counting Mode	450
11.4.1	Interrupting after N Events	451
11.4.2	Counting More Than 256 Events	451
11.5	Gated Time Accumulation Mode	453
11.5.1	Measuring Times Longer Than the Range of the 8-Bit Counter	454
11.5.2	Configuring for Interrupt after a Specified Time	455
11.6	Other Uses for the PAI Pin	455
11.7	Timing Details for the Pulse Accumulator	455

Section 12. Analog-to-Digital Converter System

12.1	Contents	459
12.2	Introduction	459
12.3	Charge-Redistribution A/D	460

Table of Contents

12.4	A/D Converter Implementation on MC68HC11A8	471
12.4.1	MC68HC11A8 Successive-Approximation A/D Converter	471
12.4.2	A/D Charge Pump and Resistor-Capacitor (RC) Oscillator	472
12.4.3	MC68HC11A8 A/D System Control Logic	474
12.4.4	A/D Control/Status Register (ADCTL)	476
12.4.5	A/D Result Registers (ADR4–AD1)	478
12.5	A/D Pin Connection Considerations	478

Appendix A. Instruction Set Details

A.1	Contents	487
A.2	Introduction	487
A.3	Nomenclature	488
A.4	M68HC11 Instruction Set	491

Appendix B. Bootloader Listings

Bootloader Listings	603
---------------------	-----

Index

Index	631
-------	-----

List of Figures

Figure	Title	Page
1-1	Block Diagram	30
1-2	M68HC11 Programmer's Model	31
1-3	Part Numbering.	34
2-1	MC68HC11A8 Pin Assignments.	38
2-2	MC68HC11D3/711D3 Pin Assignments.	39
2-3	MC68HC11E9/711E9 Pin Assignments (52-Pin PLCC).	41
2-4	MC68HC811E2 Pin Assignments (48-Pin DIP)	42
2-5	MC68HC11F1 Pin Assignments (68-Pin PLCC).	43
2-6	MC68HC24 Pin Assignments.	44
2-7	Reduced I_{DD} MODA/LIR Connections	48
2-8	RAM Standby MODB/ V_{STBY} Connections	49
2-9	High-Frequency Crystal Connections.	51
2-10	Low-Frequency Crystal Connections	52
2-11	Crystal Layout Example	53
2-12	Reset Circuit Example	57
2-13	Low-Pass Filter for A/D Reference Pins.	60
2-14	CMOS Inverter	64
2-15	Internal Circuitry — Digital Input-Only Pin	69
2-16	Internal Circuitry — Analog Input-Only Pin.	71
2-17	Internal Circuitry — Digital I/O Pin	72
2-18	Internal Circuitry — Input/Open-Drain-Output Pin	74
2-19	Internal Circuitry — Output-Only Pin	74
2-20	Internal Circuitry — MODB/ V_{STBY} Pin	75
2-21	Internal Circuitry — $\overline{IRQ}/V_{PPBULK}$ Pin.	76
2-22	Basic Expanded Mode Connections.	78
2-23	Basic Single-Chip Mode Connections	80

List of Figures

Figure	Title	Page
3-1	Highest Priority I-Bit Interrupt and Miscellaneous Register (HPRIO)	88
3-2	System Configuration Register (CONFIG)	91
3-3	RAM and I/O Mapping Register (INIT)	95
3-4	Timer Mask Register 2 (TMSK2)	98
3-5	System Configuration Option Register (OPTION)	99
3-6	Testing Functions Control Register (TEST1)	104
3-7	Testing Functions Control Register (BAUD)	107
3-8	Schematic for Figure 3-9	117
3-9	Program to Check/Change CONFIG	119
4-1	Topological Arrangement of EEPROM Bytes (MC68HC11A8)	128
4-2	Topological Arrangement of Bits in an EEPROM Byte	128
4-3	Condensed Schematic of EEPROM Array	129
4-4	EEPROM Cell Terminology	130
4-5	Erasing an EEPROM Byte	131
4-6	Programming an EEPROM Byte	132
4-7	Reading an EEPROM Byte	133
4-8	EEPROM Programming Register (PPROG)	136
4-9	Erase-Before-Write Programming Method	154
4-10	Program-More-Zeros Programming Method	155
4-11	Selective-Write Programming Method	155
4-12	Composite Programming Method	156
5-1	Typical External Reset Circuit	175
5-2	Highest Priority I-Bit Interrupt and Miscellaneous Register (HPRIO)	179
5-3	Processing Flow Out of Resets	182
5-4	Interrupt Priority Resolution	184
5-5	Interrupt Source Resolution within SCI	186
6-1	M68HC11 Programmer's Model	199
7-1	Parallel I/O Registers and Control Bits	234
7-2	Pin Logic Registers and Control Bits	235

Figure	Title	Page
7-3	Special Symbols Used in Pin Logic Diagrams	239
7-4	PA2–PA0 (IC3–IC1) Pin Logic	239
7-5	PA6–PA3 (OC5–OC2) Pin Logic	241
7-6	PA7 (OC1 and PAI) Pin Logic.	243
7-7	Idealized Port A Timing.	244
7-8	Port B Pin Logic	246
7-9	Idealized Port B Timing.	247
7-10	R/W (STRB) Pin Logic	249
7-11	Port C Expanded Mode Pin Logic.	252
7-12	Summary of Idealized Port C Expanded Mode Timing.	254
7-13	Port C Single-Chip Mode Pin Logic	255
7-14	Idealized Port C Single-Chip Mode Timing.	258
7-15	AS (STRA) Pin Logic	260
7-16	PD0 (RxD) Pin Logic.	262
7-17	PD1 (TxD) Pin Logic.	264
7-18	PD2 (MISO) Pin Logic	267
7-19	PD3 (MOSI) Pin Logic	270
7-20	PD4 (SCK) Pin Logic	272
7-21	PD5 (SS) Pin Logic.	275
7-22	Idealized Port D Timing	277
7-23	Port E Pin Logic	279
7-24	Idealized Port E Timing.	280
7-25	Idealized Timing for Simple Strobe Operations	282
7-26	Idealized Timing for Full-Input Handshake	284
7-27	Idealized Timing for Full-Output Handshake	285
7-28	Parallel I/O Control Register (PIOC).	287
8-1	CPHA Equals Zero SPI Transfer Format	294
8-2	CPHA Equals One SPI Transfer Format	294
8-3	SPI System Block Diagram.	296
8-4	Port D Data Direction Register (DDRD)	299
8-5	SPI Control Register (SPCR)	300
8-6	SPI Status Register (SPSR)	302
8-7	Delay from Write SPDR to Transfer Start (Master).	307
8-8	Transfer Ending for an SPI Master	308
8-9	Transfer Ending for an SPI Slave	308

List of Figures

Figure	Title	Page
8-10	Hardware Hookup for Examples 8-1 and 8-2	310
8-11	Register Definitions and RAM Variables for Examples 8-1 and 8-2	310
8-12	Example 8-1 Software Listing)	312
8-13	Timing Analysis for Example 8-1	314
8-14	Example 8-2 Software Listing	315
8-15	Timing Analysis for Example 8-2	316
9-1	SCI Transmitter Block Diagram	320
9-2	SCI Receiver Block Diagram	322
9-3	Port D Related Registers	325
9-4	Baud Rate Control Register (BAUD)	327
9-5	SCI Control Register 1 (SCCR1)	329
9-6	SCI Control Register 2 (SCCR2)	331
9-7	SCI Status Register (SCSR).	334
9-8	SCI Data Register (SCDR)	337
9-9	TxD Pin Logic Block Diagram	345
9-10	Start Bit — Ideal Case	348
9-11	Start Bit — Noise Case One	349
9-12	Start Bit — Noise Case Two	349
9-13	Start Bit — Noise Case Three	350
9-14	Start Bit — Noise Case Four	350
9-15	Start Bit — Noise Case Five	351
9-16	Start Bit — Noise Case Six	351
9-17	Baud-Rate Frequency Tolerance	353
9-18	Baud-Rate Generator Block Diagram	359
9-19	Transmitter Enable Timing Details	361
9-20	Write SCDR to Serial Data Start	362
9-21	Ending Details of Transmission	364
9-22	RDRF Flag-Setting Details	365
10-1	Main Timer System Block Diagram	370
10-2	Timer Counter (TCNT)	374
10-3	Timing Summary for Oscillator Divider Signals	376
10-4	Major Clock Divider Chains in the MC68HC11A8	377
10-5	Prescaler Select Bits (PR1 and PR0)	379

Figure	Title	Page
10-6	Timer Overflow Interrupt Enable Bit (TOI)	381
10-7	Timer Overflow Flag Bit (TOF)	381
10-8	Real-Time Interrupt Enable Bit (RTIE)	384
10-9	Real-Time Interrupt Flag (RTIF)	384
10-10	Real-Time Interrupt Rate Select Bits (RTR1 and RTR0)	385
10-11	COP Timer Rate Select Bits (CR1 and CR0)	386
10-12	Input-Capture Registers	390
10-13	Input Capture Interrupt Enable Bits (ICxI)	391
10-14	Input Capture Flags (ICxF)	391
10-15	Timer Control Register (TCTL2)	392
10-16	Measuring a Period with Input Capture	394
10-17	Timing Analysis for Example 10-1	394
10-18	Measuring a Pulse Width with Input Capture	398
10-19	Timing Analysis for Example 10-2	399
10-20	Measuring Long Periods with Input Capture and TOF	404
10-21	Output-Capture Registers	408
10-22	Output Capture Interrupt Enable Bits (OCxI)	410
10-23	Output Capture Flags (OCxF)	410
10-24	Simple Output-Compare Example	412
10-25	Timer Control Register 1 (TCTL1)	412
10-26	Generating a Square Wave with Output Compare	413
10-27	Timing Analysis for Example 10-5	414
10-28	Output Compare 1 Mask Register (OC1M)	416
10-29	Output Compare 1 Data Register (OC1D)	416
10-30	Producing Two PWM Outputs with OC1, OC2, and OC3	419
10-31	Output Compare Force Register (CFORC)	421
10-32	Timer Counter as MCU Leaves Reset	422
10-33	Timer Counter Read — Cycle-by-Cycle Analysis	422
10-34	Input-Capture Timing Details	423
10-35	Output-Compare Timing Details	424
11-1	Pulse Accumulator Operating Modes	444
11-2	Block Diagram of Pulse Accumulator Subsystem	446
11-3	Timer Interrupt Mask 2 Register (TMSK2)	447
11-4	Timer Interrupt Flag 2 Register (TFLG2)	447
11-5	Pulse Accumulator Control Register (PACTL)	447

Figure	Title	Page
11-6	Pulse Accumulator Count Register (PACNT)	447
11-7	Pulse Accumulator-Related Bits in PACTL	448
11-8	Pulse Accumulator Interrupt Enable Bits	449
11-9	Pulse Accumulator Interrupt Flags	449
11-10	PAI Pin Edge-Detection Timing	456
11-11	Pin Enable versus Counting (Gated Accumulation Mode)	457
11-12	Timing Details for Pulse Accumulator Counter Overflow	457
11-13	PACNT Read and Write	458
12-1	Basic Charge-Redistribution A/D	461
12-2	Charge-Redistribution A/D with $\pm 1/2$ LSB Quantization Error	468
12-3	MC68HC11A8 A/D in Sample Mode.	471
12-4	System Configuration Options Register (OPTION)	473
12-5	Timing Diagram for a Sequence of Four A/D Conversions.	475
12-6	A/D Control/Status Register (ADCTL)	476
12-7	Electrical Model of an A/D Input Pin (Sample Mode)	479
12-8	Graphic Estimation of Analog Sample Level (Case 2)	482

List of Tables

Table	Title	Page
1-1	M68HC11 Family Members	32
2-1	Hardware Mode Select Summary	47
2-2	Ports B and C and STRA and STRB Pins	62
3-1	Hardware Mode Select Summary	87
3-2	Watchdog Rates versus Crystal Frequency	100
3-3	Bootstrap Mode Pseudo-Vectors	113
5-1	Hardware Mode Select Summary	167
5-2	Reset Vector versus Cause and MCU Mode	168
5-3	Watchdog Rates versus Crystal Frequency	171
5-4	Highest Priority I Interrupt versus PSEL3–PSEL0	180
6-1	Load, Store, and Transfer Instructions	215
6-2	Arithmetic Operation Instructions	216
6-3	Multiply and Divide Instructions	217
6-4	Logical Operation Instructions	218
6-5	Data Testing and Bit Manipulation Instructions	219
6-6	Shift and Rotate Instructions	220
6-7	Stack and Index Register Instructions	221
6-8	Condition Code Register Instructions	223
6-9	Branch Instructions	225
6-10	Jump Instruction	226
6-11	Subroutine Call and Return Instructions	226
6-12	Interrupt Handling Instructions	227
6-13	Miscellaneous Instructions	227

List of Tables

Table	Title	Page
9-1	Baud Rate Prescale Selects	328
9-2	Baud Rate Selects	329
9-3	Baud Rates by Crystal Frequency, SCP1, SCP0, and SCR2–SCR0.	360
10-1	Crystal Frequency versus PR1 and PR0 Values	380
10-2	RTI Rates versus RTR1 and RTR0 for Various Crystal Frequencies	385
10-3	COP Timeout versus CR1 and CR0 Values	387
10-4	Instruction Sequences to Clear TOF	388
10-5	EDGxB and EDGxA Encoding	393
10-6	OMx and OLx Encoding	413
11-1	Pulse Accumulator Timing Periods versus Crystal Rate	444
12-1	A/D Channel Assignments	477

Section 1. General Description

1.1 Contents

1.2	Introduction	27
1.3	General Description of the MC68HC11A8	28
1.4	Programmer's Model	29
1.5	Product Derivatives.	32

1.2 Introduction

This reference manual is a valuable aid in the development of M68HC11 applications. Detailed descriptions of all internal subsystems and functions have been developed and carefully checked against internal Motorola design documentation, making this manual the most comprehensive reference available for the M68HC11 Family of microcontroller units (MCU).

Practical applications are included to demonstrate the operation of each subsystem. These applications are treated as complete systems, including hardware/software interactions and tradeoffs. Interfacing techniques to prevent component damage are discussed to aid the hardware designer. For software programmers, **Section 6. Central Processor Unit (CPU)** and **Appendix A. Instruction Set Details** contain examples demonstrating efficient use of the instruction set.

This manual is intended to complement Motorola's official data sheet, not replace it. The information in the data sheet is current and is guaranteed by production testing. Although the information in this manual was checked against parts and design documentation, the accuracy is not guaranteed like the data sheet is guaranteed. This manual assumes the reader has some basic knowledge of MCUs and

assembly-language programming; it may not be appropriate as an instruction manual for a first-time MCU user.

The information in this manual is much more detailed than would usually be required for normal use of the MCU, but a user who is familiar with the detailed operation of the part is more likely to find a solution to an unexpected system problem. In many cases, a trick based on software or on-chip resources can be used rather than building expensive external circuitry. Data sheets are geared toward customary, straightforward use of the on-chip peripherals; whereas, an experienced MCU user often uses these on-chip systems in very unexpected ways. The level of detail in this manual will help the normal user to better understand the on-chip systems and will allow the more advanced user to make maximum use of the subtleties of these systems.

In addition to this manual, the data sheet(s) or technical data is needed for the specific version(s) of the M68HC11 being used. A pocket reference guide is another beneficial source.

1.3 General Description of the MC68HC11A8

The high-density complementary metal-oxide semiconductor (HCMOS) MC68HC11A8 is an advanced 8-bit MCU with highly sophisticated, on-chip peripheral capabilities. New design techniques were used to achieve a nominal bus speed of 2 MHz. In addition, the fully static design allows operation at frequencies down to dc, further reducing power consumption.

The HCMOS technology used on the MC68HC11A8 combines smaller size and higher speeds with the low-power and high-noise immunity of CMOS. On-chip memory systems include:

- 8 Kbytes of read-only memory (ROM)
- 512 bytes of electrically erasable programmable ROM (EEPROM)
- 256 bytes of random-access memory (RAM)

Major peripheral functions are provided on-chip. An 8-channel analog-to-digital (A/D) converter is included with eight bits of resolution. An asynchronous serial communications interface (SCI) and a separate

synchronous serial peripheral interface (SPI) are included. The main 16-bit, free-running timer system has three input-capture lines, five output-compare lines, and a real-time interrupt function. An 8-bit pulse accumulator subsystem can count external events or measure external periods.

Self-monitoring circuitry is included on-chip to protect against system errors. A computer operating properly (COP) watchdog system protects against software failures. A clock monitor system generates a system reset in case the clock is lost or runs too slow. An illegal opcode detection circuit provides a non-maskable interrupt if an illegal opcode is detected.

Two software-controlled power-saving modes, wait and stop, are available to conserve additional power. These modes make the M68HC11 Family especially attractive for automotive and battery-driven applications.

Figure 1-1 is a block diagram of the MC68HC11A8 MCU. This diagram shows the major subsystems and how they relate to the pins of the MCU. In the lower right-hand corner of this diagram, the parallel input/output (I/O) subsystem is shown inside a dashed box. The functions of this subsystem are lost when the MCU is operated in expanded modes, but the MC68HC24 port replacement unit can be used to regain the functions that were lost. The functions are restored in such a way that the software programmer is unable to tell any difference between a single-chip system or an expanded system containing the MC68HC24. By using an expanded system containing an MC68HC24 and an external EPROM, the user can develop software intended for a single-chip application.

1.4 Programmer's Model

In addition to executing all M6800 and M6801 instructions, the M68HC11 instruction set includes 91 new opcodes. The nomenclature M68xx is used in conjunction with a specific CPU architecture and instruction set as opposed to the MC68HC11xx nomenclature, which is a reference to a specific member of the M68HC11 Family of MCUs.

General Description

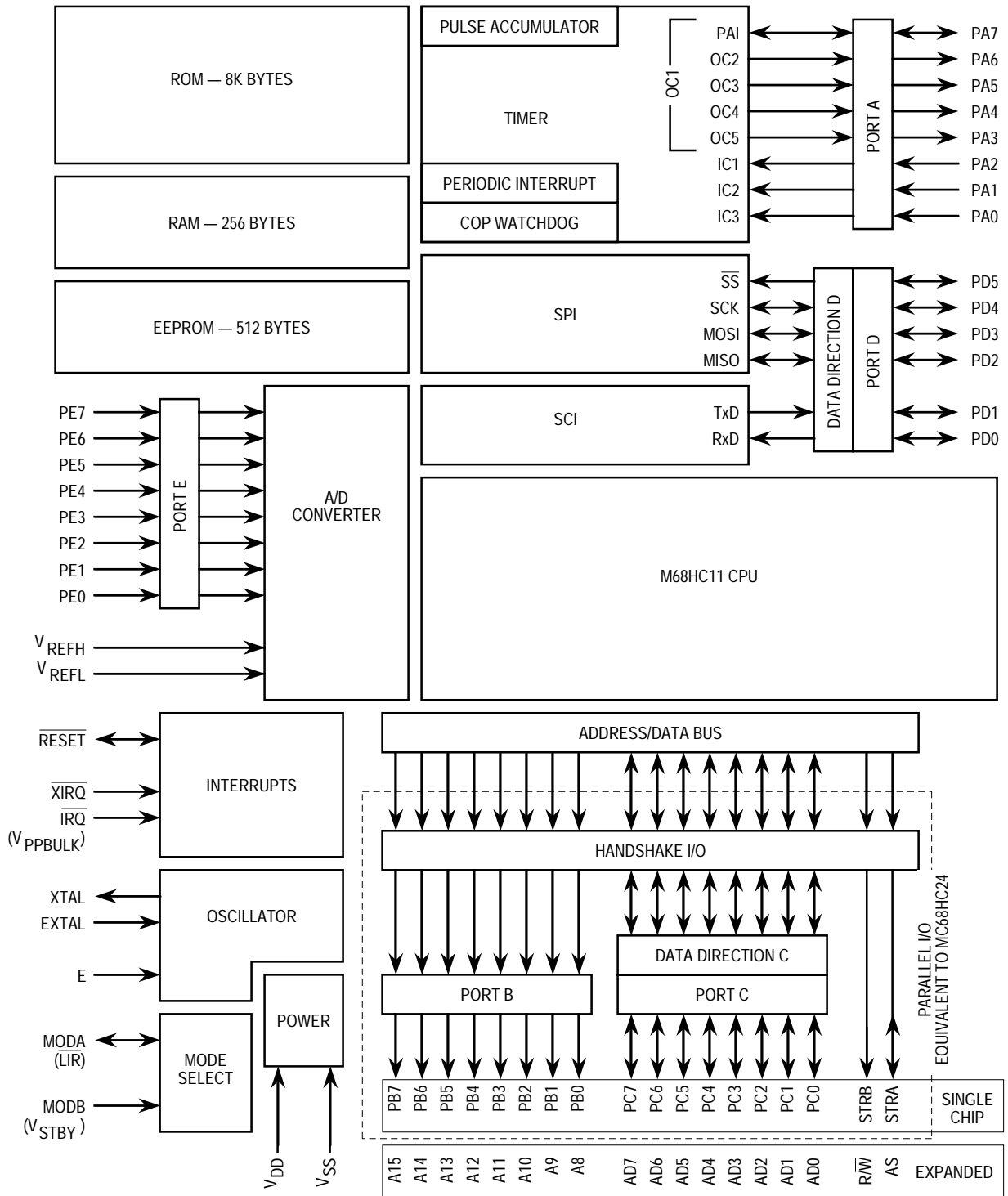


Figure 1-1. Block Diagram

Figure 1-2 shows the seven CPU registers available to the programmer. The two 8-bit accumulators (A and B) can be used by some instructions as a single 16-bit accumulator called the D register, which allows a set of 16-bit operations even though the CPU is technically an 8-bit processor.

The largest group of instructions added involve the Y index register. Twelve bit manipulation instructions that can operate on any memory or register location were added. The exchange D with X and exchange D with Y instructions can be used to quickly get index values into the double accumulator (D) where 16-bit arithmetic can be used. Two 16-bit by 16-bit divide instructions are also included.

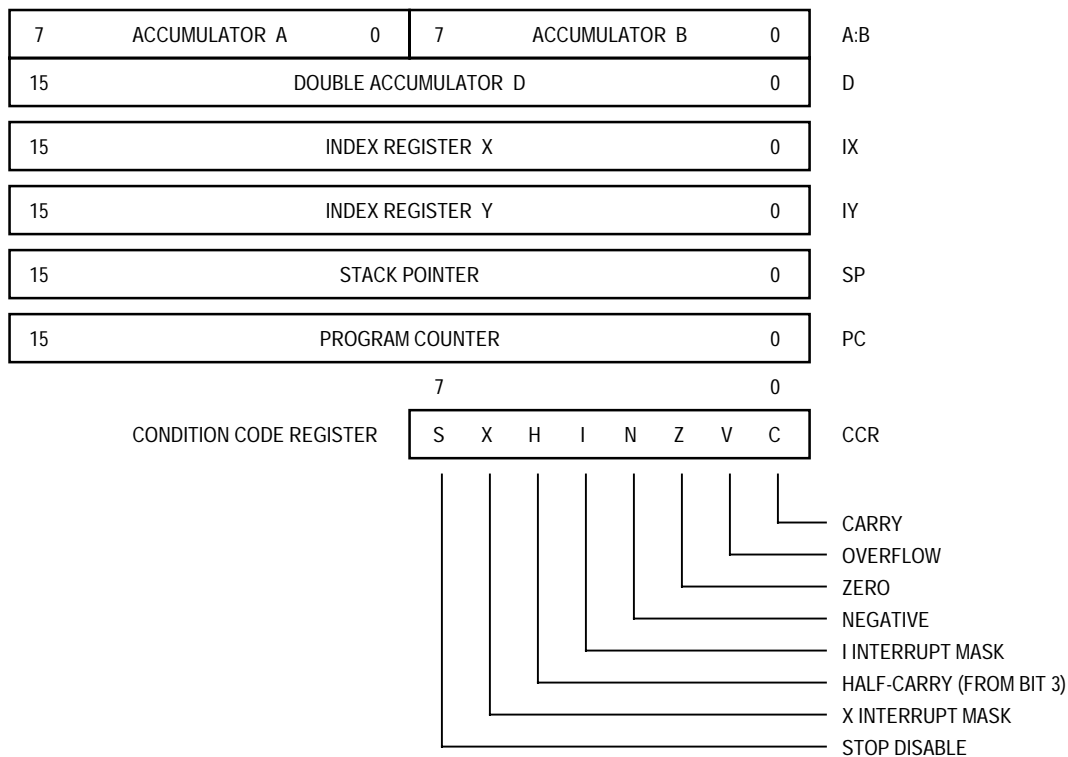


Figure 1-2. M68HC11 Programmer's Model

1.5 Product Derivatives

The M68HC11 Family of MCUs is composed of the product members listed in [Table 1-1](#). [Figure 1-3](#) explains how the product part numbers are constructed.

Table 1-1. M68HC11 Family Members

Product	ROM (KBytes)	RAM (Bytes)	EPROM/OTP (KBytes)	EEPROM (Bytes)	Timer ⁽¹⁾	Serial	A/D	PWM	Operating Voltage (V)	Bus Frequency (Max) (MHz)
MC68HC11D0	—	192	—	—	3/4 IC 4/5 OC	SCI SPI	—	—	3.0, 5.0	3
MC68HC11D3	4	192	—	—	3/4 IC 4/5 OC	SCI SPI	—	—	3.0, 5.0	3
MC68HC11E0	—	512	—	—	3/4 IC 4/5 OC	SCI SPI	8-CH 8-bit	—	3.0, 5.0	3
MC68HC11E1	—	512	—	512	3/4 IC 4/5 OC	SCI SPI	8-CH 8-bit	—	3.0, 5.0	3
MC68HC11E2	—	256	—	2048	3/4 IC 4/5 OC	SCI SPI	8-CH 8-bit	—	5.0	2
MC68HC11E9	12	512	—	512	3/4 IC 4/5 OC	SCI SPI	8-CH 8-bit	—	3.0, 5.0	3
MC68HC11E20	20	768	—	512	3/4 IC 4/5 OC	SCI SPI	8-CH 8-bit	—	5.0	3
MC68HC11F1	—	1	—	512	3/4 IC 4/5 OC	SCI SPI	8-CH 8-bit	—	3.0, 5.0	5
MC68HC11K0	—	768	—	—	3/4 IC 4/5 OC	SCI SPI	8-CH 8-bit	4-CH 8-bit or 2-CH 16-bit	3.0, 5.0	4
MC68HC11K1	—	768	—	640	3/4 IC 4/5 OC	SCI+ SPI	8-CH 8-bit	4-CH 8-bit or 2-CH 16-bit	3.0, 5.0	4
MC68HC11K4	24	768	—	640	3/4 IC 4/5 OC	SCI+ SPI	8-CH 8-bit	4-CH 8-bit or 2-CH 16-bit	3.0, 5.0	4

Table 1-1. M68HC11 Family Members (Continued)

Product	ROM (KBytes)	RAM (Bytes)	EPROM/OTP (KBytes)	EEPROM (Bytes)	Timer ⁽¹⁾	Serial	A/D	PWM	Operating Voltage (V)	Bus Frequency (Max) (MHz)
MC68HC11KS2	—	1	32	640	3/4 IC 4/5 OC	SCI+ SPI	8-CH 8-bit	—	5.0	4
MC68HC11KW1	—	768	—	640	3/4 IC 4/5 OC	SCI+ SPI	10-CH 10-bit	4-CH 8-bit or 2-CH 16-bit	5.0	4
MC68HC11P1	—	1	—	640	3/4 IC 4/5 OC	Triple SCI SPI	8-CH 8-bit	4-CH 8-bit or 2-CH 16-bit	5.0	4
MC68HC11P2	32	1	—	640	3/4 IC 4/5 OC	Triple SCI SPI	8-CH 8-bit	4-CH 8-bit or 2-CH 16-bit	5.0	4
MC68HC711D3	—	192	4	—	3/4 IC 4/5 OC	SCI SPI	—	—	5.0	3
MC68HC711E9	—	512	12	512	3/4 IC 4/5 OC	SCI SPI	8-CH 8-bit	—	3.0, 5.0	4
MC68HC711E20	—	768	20	512	3/4 IC 4/5 OC	SCI SPI	8-CH 8-bit	—	5.0	4
MC68HC711KS2	—	1	32	640	3/4 IC 4/5 OC	SCI+ SPI	8-CH 8-bit	—	5.0	4

1. All M68HC11s include an 8-channel 16-bit timer with real-time interrupt and pulse accumulator. All timers have three input captures, four output compares, and an eighth channel that can be configured as a fourth input capture or a fifth output compare.

General Description

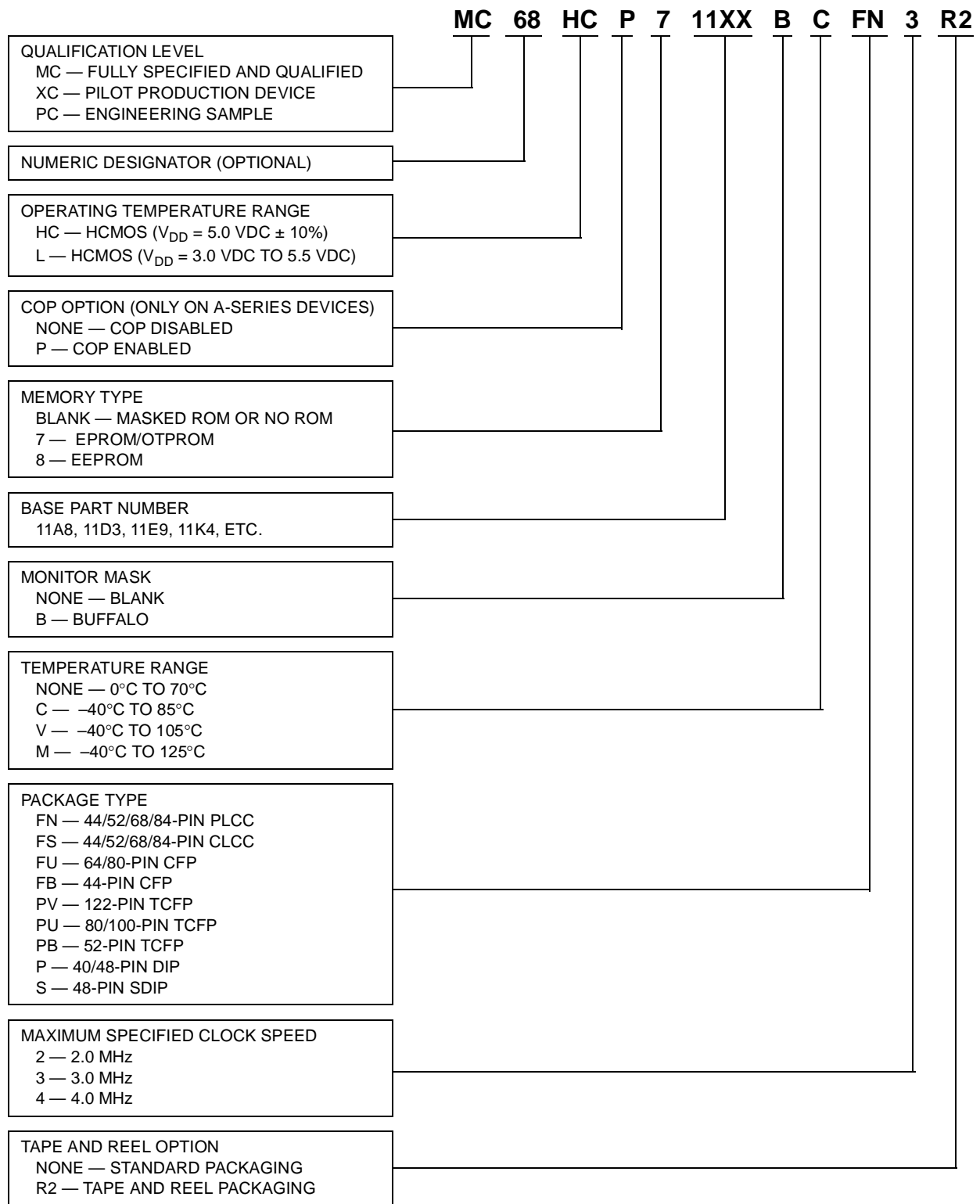


Figure 1-3. Part Numbering

Section 2. Pins and Connections

2.1 Contents

2.2	Introduction	36
2.3	Packages and Pin Names	37
2.3.1	MC68HC11A8	38
2.3.2	MC68HC11D3/MC68HC711D3	39
2.3.3	MC68HC11E9/MC68HC711E9	40
2.3.4	MC68HC811E2	41
2.3.5	MC68HC11F1	43
2.3.6	MC68HC24 Port Replacement Unit	44
2.4	Pin Descriptions	44
2.4.1	Power-Supply Pins (V_{DD} and V_{SS})	45
2.4.2	Mode Select Pins ($MODB/V_{STBY}$ and $MODA/LIR$)	46
2.4.3	Crystal Oscillator and Clock Pins (EXTAL, XTAL, and E)	50
2.4.4	Crystal Oscillator Application Information	55
2.4.4.1	Crystals for Parallel Resonance	55
2.4.4.2	Using Crystal Oscillator Outputs	56
2.4.4.3	Using External Oscillator	56
2.4.4.4	AT-Strip versus AT-Cut Crystals	56
2.4.5	Reset Pin (\overline{RESET})	56
2.4.6	Interrupt Pins (\overline{XIRQ} and \overline{IRQ})	58
2.4.7	A/D Reference and Port E Pins (V_{REFL} , V_{REFH} , and PE7–PE0)	59
2.4.8	Timer Port A Pins	61
2.4.9	Serial Port D Pins	61
2.4.10	Ports B and C and STRA and STRB Pins	62
2.5	Termination of Unused Pins	64

2.6	Avoidance of Pin Damage	66
2.6.1	Zap and Latchup	67
2.6.2	Protective Interface Circuits	68
2.6.3	Internal Circuitry — Digital Input-Only Pin	68
2.6.4	Internal Circuitry — Analog Input-Only Pin	70
2.6.5	Internal Circuitry — Digital I/O Pin	72
2.6.6	Internal Circuitry — Input/Open-Drain-Output Pin	73
2.6.7	Internal Circuitry — Digital Output-Only Pin	74
2.6.8	Internal Circuitry — $\overline{\text{MODB}}/V_{\text{STBY}}$ Pin	74
2.6.9	Internal Circuitry — $\overline{\text{IRQ}}/V_{\text{PPBULK}}$ Pin	76
2.7	Typical Expanded Mode System Connections	77
2.8	Typical Single-Chip Mode System Connections	81
2.9	System Development and Debug Features	82
2.9.1	Load Instruction Register ($\overline{\text{LIR}}$)	82
2.9.2	Internal Read Visibility (IRV)	82
2.9.3	MC68HC24 Port Replacement Unit (PRU)	83

2.2 Introduction

This section discusses the functions of each pin on the MC68HC11A8, a typical example of an M68HC11 Family part. Most pins on this microcontroller unit (MCU) serve two or more functions. Information about the practical use of each pin is presented in these pin descriptions. This section also includes information concerning pins that are exposed to illegal levels or conditions. The most common source of illegal levels or conditions is transient noise; however, a designer may want to take precautions against potential misapplication of a product or failures of other system components such as power supplies. Consideration of these factors can influence end-product reliability.

The basic connections for single-chip mode and expanded mode applications are presented in **2.8 Typical Single-Chip Mode System Connections** and **2.7 Typical Expanded Mode System Connections**. These basic systems can be used as the starting point for any user application and can minimize the time required to achieve a working prototype system. The explanation of these basic systems includes

information concerning additions, such as additional memory on the expanded system.

System noise generation and susceptibility primarily depend on each system and its environment. The MC68HC11A8 is designed for higher bus speeds than earlier MCUs. Since it is high-density complementary metal-oxide semiconductor (HCMOS), signals drive from rail to rail, unlike earlier N-channel metal-oxide semiconductor (NMOS) processors. Since these factors can significantly affect noise issues, the system designer should consider these changes.

2.3 Packages and Pin Names

Figure 2-1 through **Figure 2-6** show pin assignments for several members of the M68HC11 Family. The pin assignments for the MC68HC24 port replacement unit (PRU) are also presented for reference although the PRU is not discussed in detail in this manual.

Detailed mechanical data for packages are located in the data sheets or technical summaries for individual parts. Ordering information, which relates part number suffixes to package types and operating temperature range, are also found in the data sheets or technical summaries.

2.3.1 MC68HC11A8

The MC68HC11A8 is available in either a 52-pin plastic leaded chip carrier (PLCC) package or a 48-pin dual-in-line package (DIP). The silicon die is identical for both packages, but four of the analog-to-digital (A/D) converter inputs are not bonded out to pins in the 48-pin DIP. The MC68HC11A1 and MC68HC11A0 devices also use the same die as the MC68HC11A8, except that the contents of the nonvolatile configuration (CONFIG) register determine whether internal read-only memory (ROM) and/or electrically erasable programmable ROM (EEPROM) are disabled. These downgraded device versions have identical pin assignments as the MC68HC11A8.

Figure 2-1 shows the pin assignments for the MC68HC11A8 in the 52-pin PLCC package and the 48-pin DIP package.

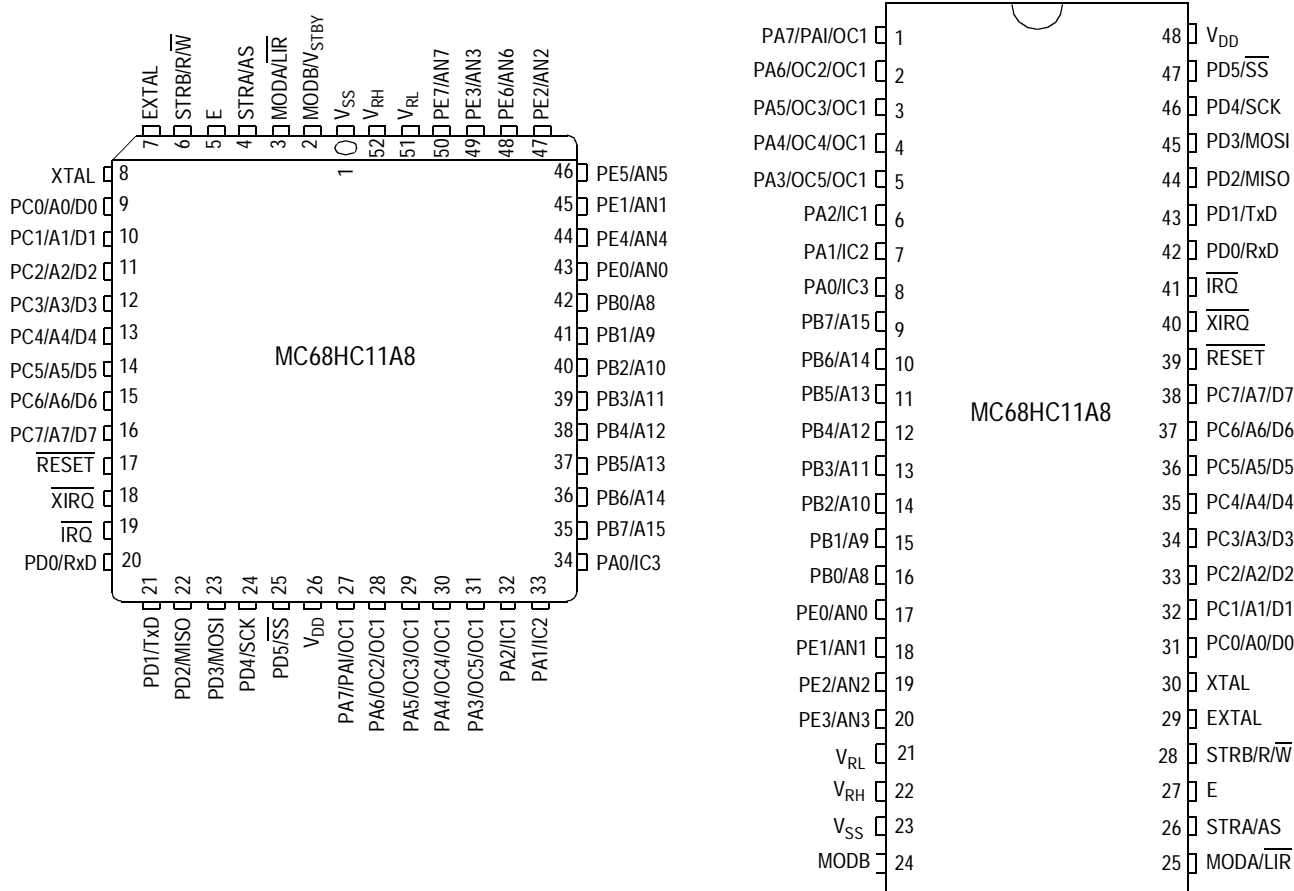


Figure 2-1. MC68HC11A8 Pin Assignments

2.3.2 MC68HC11D3/MC68HC711D3

The MC68HC11D3 is available in either a 44-pin PLCC package or a 40-pin DIP package. The silicon die is identical for both packages, but the PLCC version has two additional output compare pins bonded out and an extra V_{SS} pin named EV_{SS} . The MC68HC711D3 is functionally equivalent to the MC68HC11D3 but has four Kbytes of erasable programmable ROM (EPROM) instead of mask programmed ROM. The MC68HC711D3 is available as a one-time-programmable (OTP) MCU in an opaque plastic package or in a ceramic windowed package for development applications.

Figure 2-2 shows the pin assignments for the MC68HC11D3/MC68HC711D3 in the 44-pin PLCC package and the 40-pin DIP package.

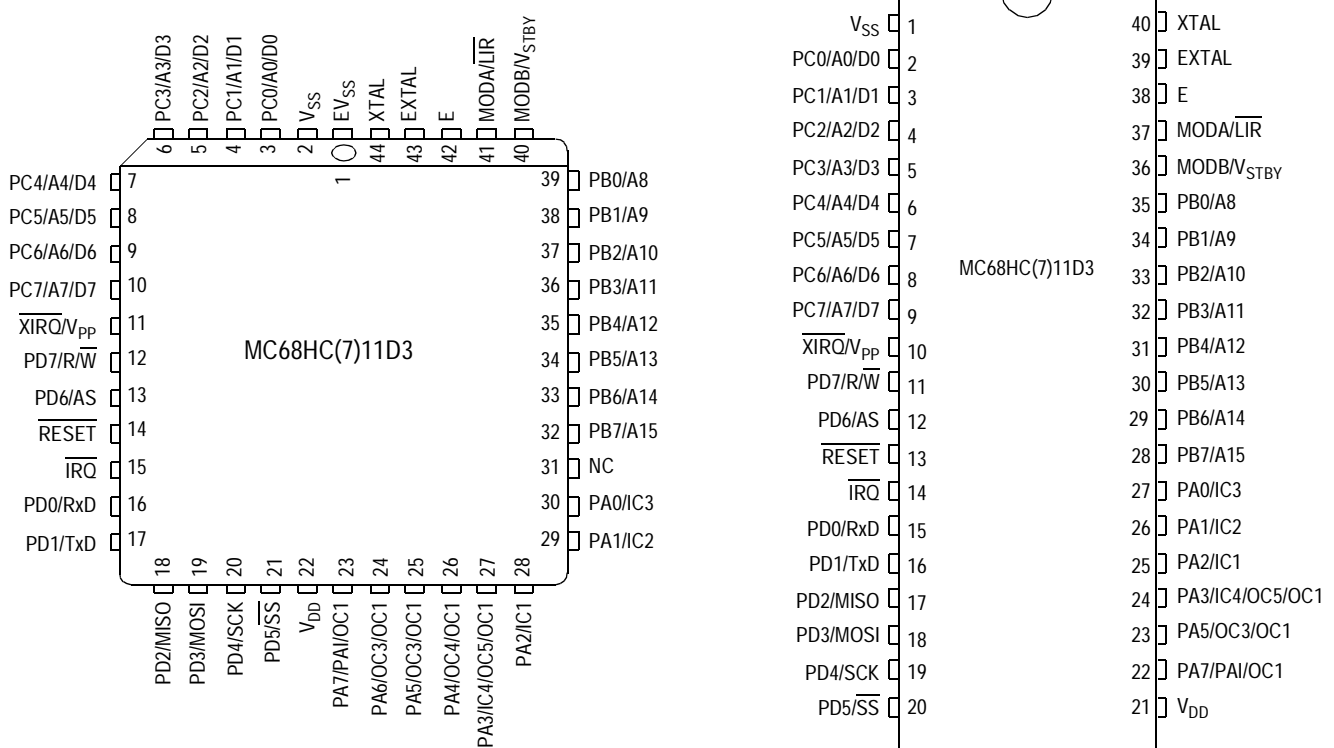


Figure 2-2. MC68HC11D3/711D3 Pin Assignments

2.3.3 MC68HC11E9/MC68HC711E9

The MC68HC11E9 is available in a 52-pin PLCC package only. The MC68HC11E1 and MC68HC11E0 devices also use the same die as the MC68HC11E9, except that the contents of the nonvolatile CONFIG register determine whether internal ROM and/or EEPROM are disabled. These downgraded device versions have identical pin assignments as the MC68HC11E9.

The MC68HC11E9 is an upgrade of the MC68HC11A8. The MC68HC11E9 has 12 Kbytes of mask ROM, 512 bytes of EEPROM, and 512 bytes of RAM. The timer system allows one output-compare channel to be reconfigured as a fourth input-capture channel.

The MC68HC711E9 is functionally equivalent to the MC68HC11E9 but has 12 Kbytes of EPROM instead of mask programmed ROM. The MC68HC711E9 is available as a one-time-programmable (OTP) MCU in an opaque plastic package or in a ceramic windowed package for development applications.

Figure 2-3 shows the pin assignments for the MC68HC11E9 in the 52-pin PLCC package. These pin assignments are the same as the MC68HC11A8, except for the pin name for the PA3/IC4/OC5/OC1 pin.

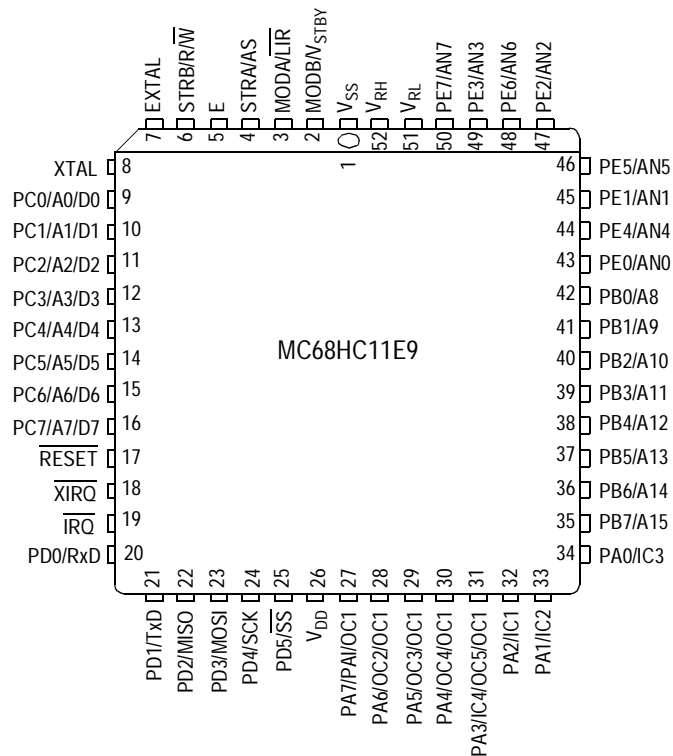


Figure 2-3. MC68HC11E9/711E9 Pin Assignments (52-Pin PLCC)

2.3.4 MC68HC811E2

The MC68HC811E2 is very similar to the MC68HC11E9 version, except in the on-chip memory. The MC68HC811E2 includes two Kbytes of EEPROM, which can be remapped to the upper half of any 4-Kbyte page in the 64 Kbyte map. There is no masked ROM memory in the MC68HC811E2. The MC68HC811E2 is available in either a 52-pin PLCC package or a 48-pin DIP. The silicon die used is the same for both packages, but four of the analog-to-digital (A/D) converter inputs are not bonded out to pins in the 48-pin package.

The MC68HC811E2 version replaces an earlier version called the MC68HC811A2. The only significant difference between the MC68HC811E2 and MC68HC811A2 is that the MC68HC811E2 has a slightly more flexible timer system, which allows one output-compare channel to be reconfigured as a fourth input-capture channel.

The 52-pin PLCC package version of the MC68HC811E2 has identical pin assignments to the MC68HC11E9 pin assignments shown in [Figure 2-3](#). [Figure 2-4](#) illustrates the pin assignments for the MC68HC811E2 in the 48-pin DIP.

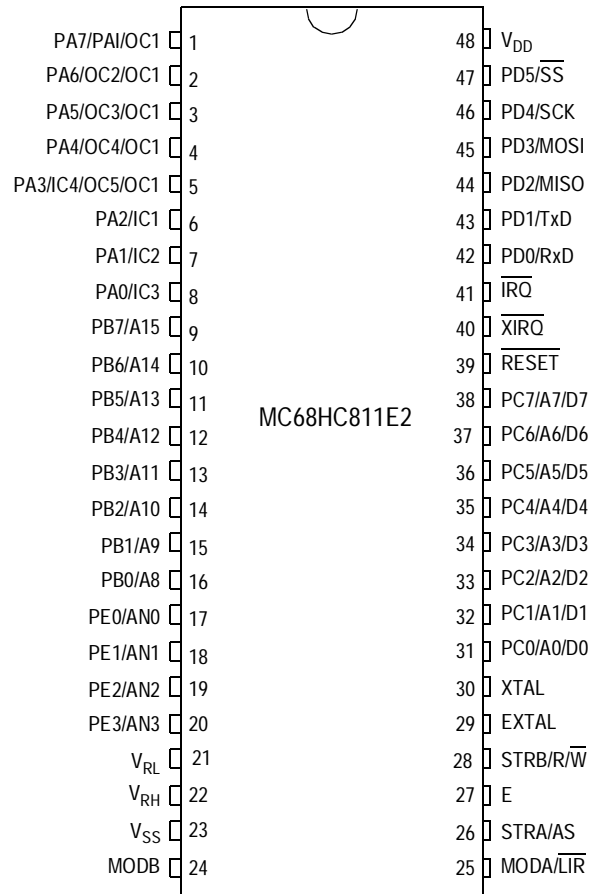


Figure 2-4. MC68HC811E2 Pin Assignments (48-Pin DIP)

2.3.5 MC68HC11F1

The MC68HC11F1 is available only in a 68-pin PLCC package. The MC68HC11F1 was the first non-multiplexed address/data bus version in the M68HC11 Family. In addition to the non-multiplexed bus, this MCU includes one Kbyte of on-chip RAM and intelligent chip selects for simple connection to external program memory without the need for any external logic chips. Other on-chip peripherals are similar to the MC68HC11E9. **Figure 2-5** shows the pin assignments for the MC68HC11F1 in the 68-pin PLCC package.

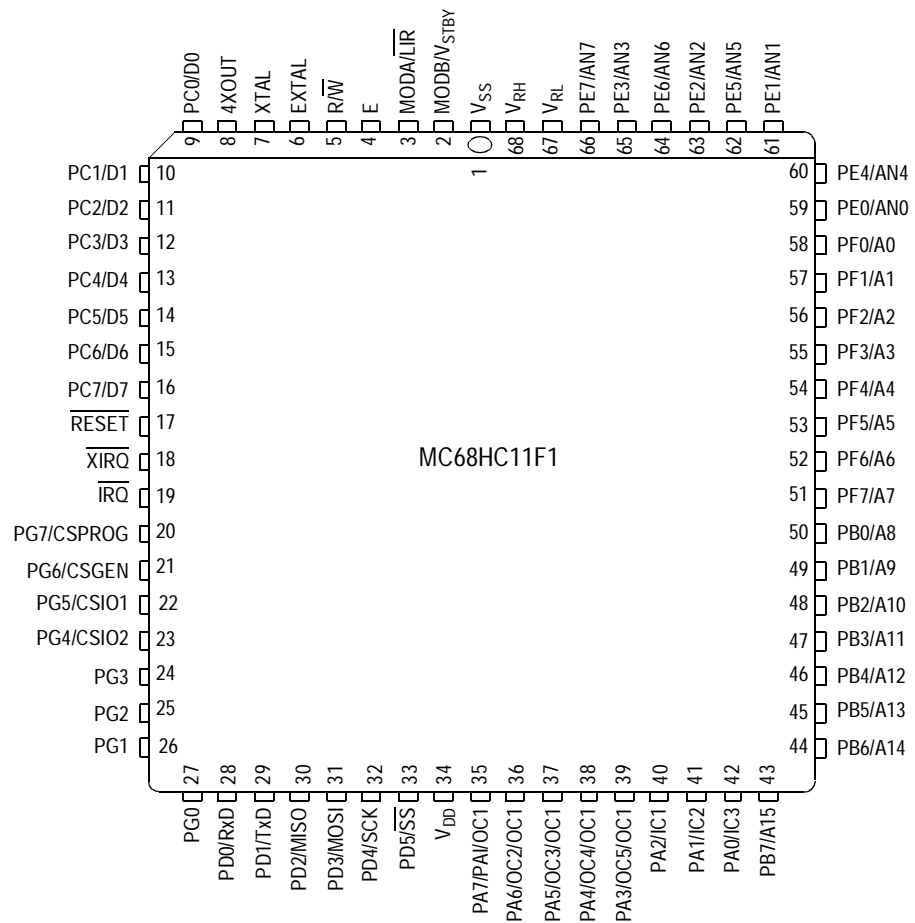


Figure 2-5. MC68HC11F1 Pin Assignments (68-Pin PLCC)

2.3.6 MC68HC24 Port Replacement Unit

Though no longer in production, the MC68HC24 PRU was used to replace I/O functions of data and address pins in emulators. It was available in either a 44-pin PLCC package or a 40-pin DIP. **Figure 2-6** shows the pin assignments for the MC68HC24 in the 44-pin PLCC package and the 40-pin DIP package.

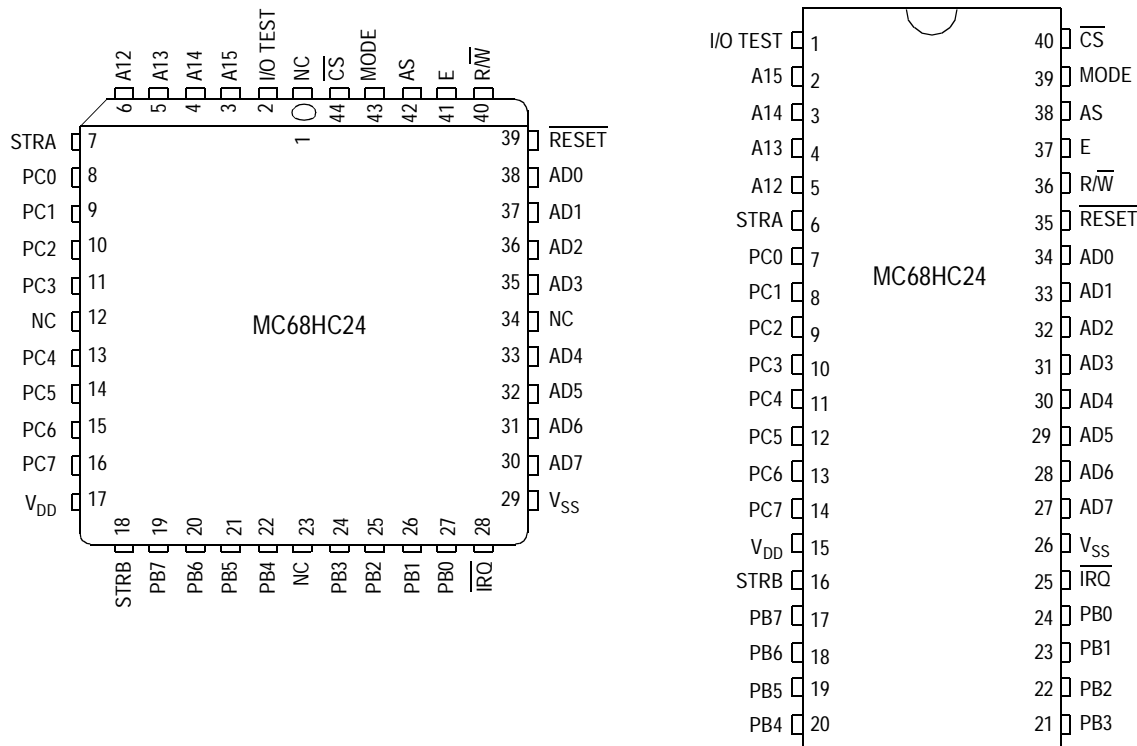


Figure 2-6. MC68HC24 Pin Assignments

2.4 Pin Descriptions

This section provides a pin-by-pin description of the MCU. In general, a designer should consider all possible functions of each pin when designing the MCU into an application system.

- **Section 7. Parallel Input/Output** contains transistor-level schematics of the logic associated with each of the I/O pins.
- **Section 3. Configuration and Modes of Operation** discusses the pins that operate as a multiplexed address/data bus in

expanded modes of operation as well as the functions of other pins related to mode selection and bus control.

- The reset and interrupt pins are presented again in [Section 5. Resets and Interrupts](#).
- These sections discuss pins related to the on-chip peripherals presented in those sections:
 - [Section 8. Synchronous Serial Peripheral Interface](#)
 - [Section 9. Asynchronous Serial Communications Interface](#)
 - [Section 10. Main Timer and Real-Time Interrupt](#)
 - [Section 11. Pulse Accumulator](#)
 - [Section 12. Analog-to-Digital Converter System](#)

Figure 1-1. Block Diagram is a pin-function-oriented block diagram of the MC68HC11A8, which is a good reference for development and verification of application designs.

2.4.1 Power-Supply Pins (V_{DD} and V_{SS})

Power is supplied to the MCU by using these pins. V_{DD} is the positive power input, and V_{SS} is ground. The MC68HC11A8 MCU uses a single power supply, but in some applications, there may also be optional power supplies for A/D reference and/or for battery backup of on-chip random-access memory (RAM). These additional power sources are optional, and the MCU, including RAM and A/D, can operate from a single 5-V (nominal) power supply.

Although the MC68HC11A8 is a complementary metal-oxide semiconductor (CMOS) device, very fast signal transitions are present on many of the pins. Even when the MCU is operating at slow clock rates, short rise and fall times are present. Depending on the loading on these fast signals, significant short-duration current demands can be placed on the MCU power supply. Special care must be taken to provide good power-supply bypassing at the MCU.

The faster edge times in the MC68HC11A8 generally place greater demands on bypassing than earlier NMOS (N-channel MOS) MCU designs. A typical expanded-mode system should include a 1- μ F capacitor and a separate 0.01- μ F capacitor. Both these capacitors should be as close (physically and electrically) as possible to the MC68HC11A8 and should have good high-frequency characteristics (for instance, not old-technology dipped ceramic disc). The 1- μ F capacitor primarily supplies charge for bus switching through a very low-impedance path (minimum-length runners). Without this bypass, there could be very large voltage drops in the circuit board runners to the MCU due to the very high (although very short duration) current spike caused by several MCU pins simultaneously switching from one level to the other. The separate 0.01- μ F capacitor is included because the larger 1- μ F capacitor is typically not as good at snubbing very high-frequency (low energy) noise. These are only general recommendations. Some lightly loaded single-chip systems may work quite well with a single 0.1- μ F bypass capacitor; whereas, more heavily loaded expanded-mode systems may require more elaborate bypassing measures.

It is easier and less expensive to approach power-supply layout and bypassing as a preventive measure from the beginning of a design than to locate and correct a noise problem in a marginal design. Problems related to inadequate power-supply layout and bypassing are very difficult to locate and correct, but, if reasonable care is taken from the start of a design, noise should not become a problem.

2.4.2 Mode Select Pins (MODB/ V_{STBY} and MODA/ \overline{LIR})

The mode B/standby RAM supply (MODB/ V_{STBY}) pin functions as both a mode select input pin and a standby power-supply pin. The mode A/load instruction register (MODA/ \overline{LIR}) pin is used to select the MCU operating mode while the MCU is in reset, and it operates as a diagnostic output signal while the MCU is executing instructions.

The hardware mode select mechanism starts with the logic levels on the MODA and MODB pins while the MCU is in the reset state. The logic levels on the MODA and MODB pins are fed into the MCU via a clocked

pipeline path. The levels captured are those that were present part of a clock cycle before the $\overline{\text{RESET}}$ pin rose, which ensures there will be a zero hold-time requirement on the mode select pins relative to the rising edge at the $\overline{\text{RESET}}$ pin. The captured levels determine the logic state of the special mode (SMOD) and mode A select (MDA) control bits in the highest priority interrupt (HPRIO) register. These two control bits actually control the logic circuits involved in hardware mode selection. Mode A selects between single-chip modes and expanded modes; mode B selects between the normal variation and the special variation of the chosen operating mode. Bootstrap mode is the special variation of single-chip mode, and special test is the special variation of expanded mode. **Table 2-1** summarizes the operation of the mode pins and mode control bits.

Table 2-1. Hardware Mode Select Summary

Inputs		Mode Description	Control Bits in HPRIO (Latched at Reset)			
MODB	MODA		RBOOT	SMOD	MDA	IRV
1	0	Normal single chip	0	0	0	0
1	1	Normal expanded	0	0	1	0
0	0	Special bootstrap	1	1	0	1
0	1	Special test	0	1	1	1

After $\overline{\text{RESET}}$ is released, the mode select pins no longer influence the MCU operating mode. The MODA pin serves the alternate function of load instruction register ($\overline{\text{LIR}}$) when the MCU is not in reset. The open-drain active-low $\overline{\text{LIR}}$ output pin drives low during the first E cycle of each instruction. The MODB pin serves the alternate function of a standby power supply (V_{STBY}) to maintain RAM contents when V_{DD} is not present. The power-saving mode, stop, is an alternate way to save RAM contents, which does not require a separate standby power source.

The $\overline{\text{LIR}}$ function is intended for monitoring on a logic analyzer during debug of a system. Since this status indicator shows where each instruction begins, programs can be followed easily. The mode A select levels and the $\overline{\text{LIR}}$ status levels were selected to prevent interference between the shared functions of the pin. In single-chip applications, this

pin is simply connected to V_{SS} . Since the \overline{LIR} output is open-drain, there is no conflict between the direct V_{SS} connection and the \overline{LIR} signal that drives the pin low during the first E cycle of each instruction. There is no practical reason to monitor \overline{LIR} during single-chip modes because there is no visibility to internal data and address buses. In expanded-mode systems, the MODA/ \overline{LIR} pin is normally pulled up to V_{DD} by a 4.7-k Ω resistor. During reset, the pullup resistor instructs the MODA pin to select expanded modes. During-program execution, the pin is driven low during the first cycle of each instruction by the \overline{LIR} signal and is pulled up between \overline{LIR} signals by the external 4.7-k Ω pullup.

In expanded-mode systems where it is important to minimize power-supply current, logic could be used to drive the MODA/ \overline{LIR} pin rather than just using a simple pullup (see [Figure 2-7](#)). During reset, the MODA pin would be driven high to select expanded mode. After reset, the \overline{LIR} pin would be driven low by logic. The logic should not be operating against a pullup, but rather it should be a logic-gate-type output with some series resistance to protect against the unlikely event of a conflict between an active-low \overline{LIR} signal and an active-high logic-gate output signal. Such a conflict could only occur briefly at the falling edge of reset. Since \overline{LIR} is active for about one out of every three cycles during normal execution (average instructions take about three cycles), I_{DD} could be reduced by about 350 μA ($5\text{ V} \div 4.7\text{ k}\Omega \times 33\%$ duty cycle).

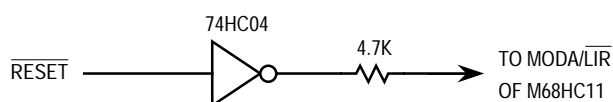


Figure 2-7. Reduced I_{DD} MODA/ \overline{LIR} Connections

The V_{STBY} function is accomplished by a transistor switch that connects either V_{STBY} or V_{DD} to the RAM and reset logic, depending upon the relative levels of V_{STBY} and V_{DD} . The switch connects V_{DD} unless V_{STBY} is more than a threshold higher than V_{DD} . A threshold is approximately a diode drop (0.7 V) but varies from lot to lot due to processing variations. During normal operation of the MCU, V_{DD} is supplying power to the RAM. In a standby situation, V_{STBY} should be maintained at a valid level, and \overline{RESET} should be activated (pulled low) when V_{DD} drops below legal limits. \overline{RESET} should always be held low whenever V_{DD} is

below its operating limit. If the MCU is to be operated in a special mode (MODB low before applying reset) and the MODB/ V_{STBY} pin is being used to back up the RAM, the MODB/ V_{STBY} pin should not be driven low unless V_{DD} is at (has returned to) a legal level. Some logic may be required in systems that use MODB/ V_{STBY} as a standby supply and want to use one of the special modes of operation. In most applications, the MODB pin would be connected to V_{DD} through a 4.7 k Ω pullup resistor for normal modes or directly to ground for special modes.

There are two ways to maintain the contents of on-chip RAM with minimal power consumption (as in a battery-based application).

- The preferred method uses the stop mode of operation.
- The second method uses the MODB/ V_{STBY} pin (see [Figure 2-8](#)).

Each of these methods has advantages. The stop mode method is preferred because it is much simpler than the separate power-supply method in terms of hardware costs and complexity. The STOP method saves power by stopping all MCU clocks, which reduces the V_{DD} current to a few microamps. No external logic is needed, and the contents of internal registers are maintained in addition to the contents of internal RAM.

The MODB/ V_{STBY} pin method would be used in cases where there is a significant amount of external circuitry operating from V_{DD} so that the added complexity of two supplies and added logic is justified by the power savings.

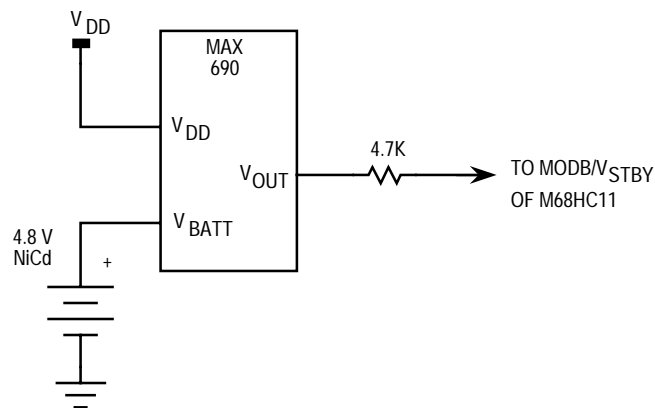


Figure 2-8. RAM Standby MODB/ V_{STBY} Connections

2.4.3 Crystal Oscillator and Clock Pins (EXTAL, XTAL, and E)

The oscillator pins can be used with an external crystal network or an externally generated CMOS-compatible clock source. The frequency applied to these pins is four times higher than the desired bus frequency (E-clock rate). The E clock is the bus frequency clock output, which is used as a basic timing reference signal. When the E clock is low (address portion of a bus cycle), an internal process is occurring; when E is high, data is being addressed. The E clock is free running at one-fourth the crystal frequency as long as the oscillator is active (stop mode stops all clocks).

The oscillator in the MC68HC11A8 consists of a large 2-input NAND gate. One of the inputs to this gate is driven by an internal signal that disables the oscillator when the MCU is in the stop mode. The other input is the EXTAL input pin of the MCU. The output of this NAND gate is the XTAL output pin of the MCU.

The XTAL pin is normally left unterminated when using an external CMOS-compatible clock input to the EXTAL pin. However, a 10-k Ω to 100-k Ω load resistor to ground may be used to reduce generated radio frequency interference (RFI) noise emission. The XTAL output is normally intended to drive only a crystal, but XTAL can be used as a 4 x clock output if special care is taken to avoid undesirable loading. The XTAL output may be buffered with a high-impedance buffer such as the 74HC04, or it may be used to drive the EXTAL input of another M68HC11 MCU. In all cases, the circuit-board layout around the oscillator pins is critical. Load capacitances specified in the data sheets and technical summary include all stray layout capacitances. Thus, the physical capacitors connected to these pins should always be less than the specified load capacitances by the estimated interconnection capacitances.

Figure 2-9 and **Figure 2-10** show the internal and external components that form the crystal oscillator, called a Pierce oscillator (also known as a parallel resonant crystal oscillator).

Figure 2-9 shows the connections for high-frequency crystals (greater than 1 MHz), and **Figure 2-10** shows connections for low-frequency operation (less than 1 MHz). The resistor, R_f , provides a direct current

bias to the input so the NAND operates in its linear region. In low-frequency designs, R_S and C_2 provide a phase shift. R_S also limits the power into the crystal, which is important for many small crystals because they are designed for very low drive levels (typically 1- μ W maximum). In high-frequency applications (see [Figure 2-9](#)), the output impedance of the NAND driver, combined with the lower impedance of C_1 and C_2 , provides the same effect as the R_S in low-frequency designs. Higher frequency AT-cut crystals are designed for much higher drive levels.

Exact values for the external components are a function of wafer processing parameters, package capacitance, printed circuit board (PCB) capacitance and inductance, socket capacitance, operating voltage, crystal technology, and frequency.

Typical values are:

$R_f = 1\text{ M}\Omega\text{--}20\text{ M}\Omega$	Higher values are sensitive to humidity; lower values reduce gain and could prevent startup.
$C_1 = 5\text{ pF}\text{--}25\text{ pF}$	Value is usually fixed.
$C_2 = 5\text{ pF}\text{--}25\text{ pF}$	Value may be varied to trim frequency.

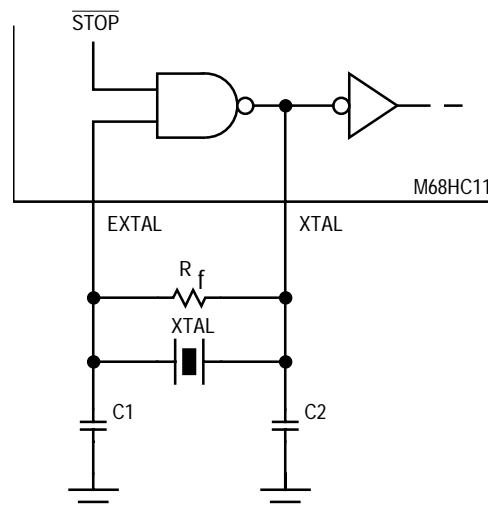


Figure 2-9. High-Frequency Crystal Connections

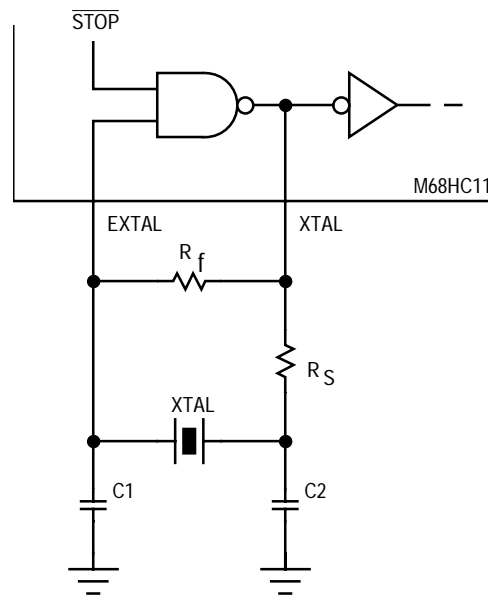


Figure 2-10. Low-Frequency Crystal Connections

A tune-up procedure for experimentally determining R_S is discussed at the conclusion of this subsection. Since circuit and layout capacitances effectively add to the values of $C1$ and $C2$, the physical capacitances are usually smaller than the intended capacitances.

In most high-frequency applications, the values of $C1$ and $C2$ are equal. In low-frequency designs, it is often desirable to make $C1$ smaller than $C2$, which provides a higher voltage at the EXTAL input due to an impedance transformation. The wider voltage swing at this input will result in lower power-supply current.

As in all crystal oscillator designs, all leads should be kept as short as possible. It is also good practice to route V_{SS} paths as shown in [Figure 2-11](#). These paths isolate the oscillator input from the output and the oscillator from adjacent circuitry, only adding capacitance in parallel with $C1$ and $C2$. Potentially noisy lines should be kept as far as possible from the oscillator components. Ground loops should be avoided around oscillator components (note the unterminated V_{SS} paths ending under $C1$ and $C2$ in [Figure 2-11](#)).

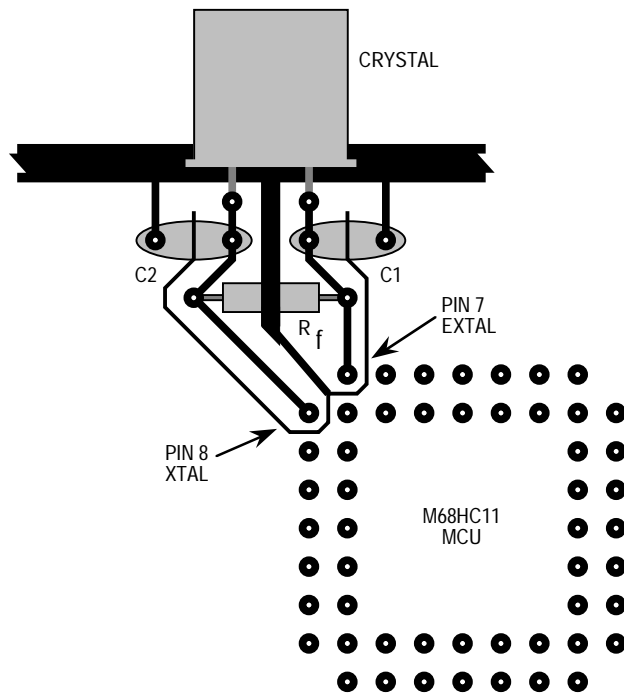


Figure 2-11. Crystal Layout Example

Usually, the operation of the oscillator cannot be observed with an oscilloscope connected to one of the oscillator pins. The oscilloscope adds from 3 to 30 pF and from 1 to 10 M Ω to V_{SS} , which will usually affect oscillator operation. When the oscilloscope is connected to the EXTAL input, the 10 M Ω to V_{SS} (oscilloscope input) forms a resistive divider with R_f and often disables the oscillator by biasing the circuit out of the linear region of the EXTAL input. This problem can sometimes be overcome by capacitively coupling the oscilloscope with a very small capacitor (1–5 pF) between the oscilloscope probe and the oscillator pin. It is usually better to observe the E-clock output from the MCU since this does not alter the operation of the oscillator.

In low-frequency designs, it is often possible to observe the XTAL node with an oscilloscope because the high-impedance nodes of the oscillator are isolated from XTAL by R_S . Observe I_{DD} without the oscilloscope connected and again with the oscilloscope connected. If the I_{DD} is unchanged, it is usually safe to assume the oscillator was unaffected.

Low-frequency crystal circuits tend to be very high impedance. Thus, the PCB must be clean, dry, and free of conductive material such as solder rosin and excessive moisture from high humidity. If problems occur, the value of R_f can be reduced so the contaminant impedance is less significant in comparison. Of course, it is still best to eliminate the contaminants.

Usually, startup time is inversely proportional to the frequency; thus, low-frequency oscillators start slower than high-frequency oscillators. There are many exceptions to this rule because there are many variables affecting startup time. Observation of a few circuits using the MC68HC11A8 with an 8-MHz crystal reveals startup from stop mode takes approximately 2 ms, and startup from power-up occurs within a few milliseconds of when V_{DD} reaches approximately 1 volt. Power-up performance varies greatly since power-source turn-on characteristics vary greatly. Since the MC68HC11A8 is a fully static design, the oscillator is not required to be running full speed before the processor starts executing instructions (most applications do not require a stable oscillator within the first few milliseconds after power-up). If the oscillator is not running at full speed, instructions will take longer to execute, but no unpredictable behavior will result as it would in an NMOS processor. An oscillator in the 32-kHz range could require hundreds of milliseconds or even a few seconds to start and stabilize.

NOTE: *The following tune-up procedure is only meaningful for crystal frequencies below 1 MHz. In higher frequency applications, because R_S is normally 0 Ω , this procedure is not needed.*

The value of R_S can be determined experimentally by using the final PCB and an MCU of the exact type that will be used in the final application. The MCU need not have the final mask program because the MCU will be held in reset throughout the experiment. Because of the number of variables involved, use components with the exact properties of those that will be used in production. For example, do not use a ceramic-packaged MCU prototype for the experiment when a plastic-packaged MCU will be used in production. An emulator version of the part will also have slightly different electrical properties than the masked ROM version of the same part.

To determine the optimum value for R_S , observe the operating current (I_{DD}) of the MCU as a function of R_S . The MCU should be held in reset throughout this procedure because operating current variations during run modes are much greater than the current variations due to varying R_S . Normally, a dip in current will occur. This dip is not sharp as in many LC circuits but is instead very broad. As the shape of this curve suggests, the exact value of R_S is not critical.

Finally, verify that the maximum-operating supply voltage does not overdrive the crystal. Observe the output frequency as a function of V_{DD} at the buffered E-clock output. Under proper operating conditions, the frequency should increase a few parts per million as supply voltage increases. If the crystal is overdriven, an increase in supply voltage will cause a decrease in frequency, or the frequency will become unstable. If frequency problems arise, supply voltage must be decreased, or the values of R_S , C1, and C2 should be increased to reduce the crystal drive.

2.4.4 Crystal Oscillator Application Information

Some crystal oscillator application information is presented in this subsection.

2.4.4.1 Crystals for Parallel Resonance

Parallel resonance refers to a Pierce oscillator that has the crystal in parallel with an inverter. Almost all (if not all) CMOS MCUs use this type oscillator. AT-cut crystals are available as standard devices for both series resonant circuits and Pierce oscillators. The load capacitance has to be specified for the Pierce version. The series resonant versions do not require this specification and are more likely to be listed as a standard product. The type circuit affects the oscillating frequency of the crystal.

Any 4- to 8-MHz AT-cut crystal will normally meet the requirements of an M68HC11. However, for a very accurate oscillator frequency, use the Pierce version of the crystal with C1 and C2 values to match the specified load capacitance value for the crystal. The load capacitance is approximately equal to the series combination of C1 and C2.

2.4.4.2 Using Crystal Oscillator Outputs

The crystal oscillator is actually an RF (radio frequency) application. Connecting the crystal pins to other circuitry is likely to interfere with proper operation of the oscillator. Modern CMOS inputs are very high impedance and relatively low capacitance; thus, one of these inputs can be connected to the oscillator without disturbing the oscillator. The data sheet for a particular part shows examples of ways the crystal oscillator can be used to drive other circuits for crystal frequencies between 4 and 8 MHz.

2.4.4.3 Using External Oscillator

An externally built Pierce oscillator will operate like a crystal connected to the M68HC11. Use a single inverter and connect the crystal feedback resistor and load capacitors as if the external inverter input were the EXTAL pin and the inverter output were the XTAL pin. Use a 74HCU04 for this inverter. This device is an unbuffered HCMOS hex inverter. Avoid Schmitt-trigger devices because the oscillator may fail to start. Buffer the output of the external Pierce oscillator to drive additional logic.

2.4.4.4 AT-Strip versus AT-Cut Crystals

The AT-strip is a new-technology low-power crystal. Connecting one of these crystals to the M68HC11 may cause problems due to the NAND gate in the MCU overdriving the crystal. Use an AT-cut crystal with the M68HC11 to avoid this problem.

2.4.5 Reset Pin ($\overline{\text{RESET}}$)

This active-low, bidirectional control signal is used as an input to initialize the MC68HC11A8 to a known startup state and as an open-drain output to indicate that an internal failure has been detected in either the clock monitor or computer operating properly (COP) watchdog circuit. This $\overline{\text{RESET}}$ signal is significantly different from the $\overline{\text{RESET}}$ signal used on earlier MCUs. More detailed information about this pin can be found in [Section 5. Resets and Interrupts](#).

The reset circuitry is specifically designed to work with lower levels of V_{DD} than other MCU circuitry. Thus, $\overline{\text{RESET}}$ can be used to prevent undesirable performance as V_{DD} power is applied or decays, which is important for applications in which the contents of on-chip RAM must be maintained in the absence of V_{DD} . In this situation, the RAM and reset input logic in the MCU would be powered from a standby power source connected to the MODB/ V_{STBY} pin whenever V_{DD} is too low to support proper MCU operation. Secondly, $\overline{\text{RESET}}$ must be controlled when V_{DD} is below legal operating limits to prevent unintentional corruption of EEPROM data. Even if an application is not using the 512-byte EEPROM, the CONFIG register is still an EEPROM byte and must be protected from corruption.

Virtually all MC68HC11A8 systems should include automatic control of $\overline{\text{RESET}}$ to drive it low whenever V_{DD} is below legal limits. A simple, inexpensive, low-voltage inhibit (LVI) device such as the MC34064 or MC34164 can be used. The MC34064 is available in TO-92 or SOT-8 plastic packages and provides an open-drain output to directly drive the $\overline{\text{RESET}}$ pin of the MC68HC11A8. This device is connected to V_{DD} , V_{SS} , and the $\overline{\text{RESET}}$ pin of the MCU. A pullup resistor from $\overline{\text{RESET}}$ to V_{DD} is the only other component required for the reset circuit in most applications. **Figure 2-12** shows a typical reset circuit.

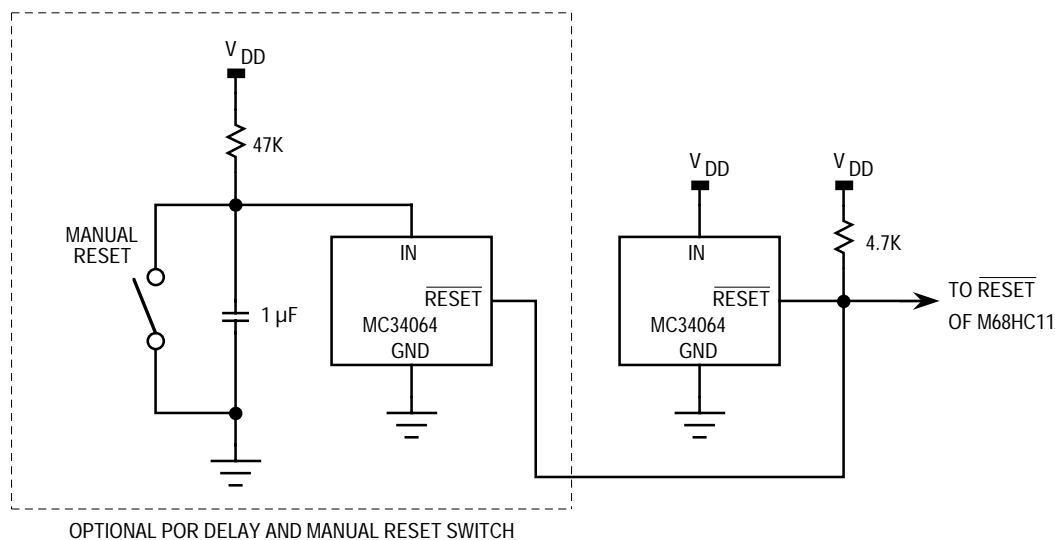


Figure 2-12. Reset Circuit Example

2.4.6 Interrupt Pins (\overline{XIRQ} and \overline{IRQ})

The \overline{XIRQ} pin provides a means for requesting non-maskable interrupts after reset initialization. During reset, the X bit in the condition code register (CCR) is set, and any interrupts are masked until MCU software enables them. Since the \overline{XIRQ} input is level sensitive, it can be connected to a multiple-source wired-OR network with an external pullup resistor. \overline{XIRQ} is often used as a power loss detect interrupt.

The \overline{IRQ} input provides a means for requesting asynchronous interrupts to the MC68HC11A8. \overline{IRQ} is program selectable (OPTION register), having a choice of either level-sensitive or falling-edge-sensitive triggering. After reset, \overline{IRQ} is configured for level-sensitive operation by default.

Whenever \overline{XIRQ} or \overline{IRQ} are used with multiple interrupt sources (\overline{IRQ} must be configured for level-sensitive operation if there is more than one source of \overline{IRQ} interrupt), each source must drive the interrupt input with an open-drain-type driver to avoid contention between outputs. There should be a single pullup resistor near the MCU interrupt input pin (typically 4.7 k Ω). There must also be an interlock mechanism at each interrupt source so that the source holds the interrupt line low until the MCU recognizes and acknowledges the interrupt request. If one or more other interrupt sources are still pending after the MCU services a request, the interrupt line will still be low; thus, the MCU will be interrupted again as soon as the interrupt mask bit in the MCU becomes clear (normally upon return from an interrupt).

The \overline{IRQ} pin is used during factory testing as a bulk V_{PP} programming voltage source, which allows for parallel programming of as many as half of the bytes in the EEPROM in a single programming operation. Since the on-chip charge pump does not have sufficient drive capability to simultaneously program this many EEPROM locations, the external 20-V power supply is needed to supplement the on-chip charge pump. The switchover mechanism, which decides whether EEPROM is powered by the internal charge pump or the external voltage source, is similar to the V_{STBY} logic at the MODB/ V_{STBY} pin. When the external voltage is more than the charge-pump voltage, the switch connects the external high-voltage source to the internal V_{PP} line. The added circuitry

at this pin has no effect on normal $\overline{\text{IRQ}}$ functions, but it does have some effect on the way the pin reacts to illegal levels.

In addition to $\overline{\text{XIRQ}}$ and $\overline{\text{IRQ}}$, five other pins on the MC68HC11A8 can also be used to generate interrupt requests to the MCU. These pins are associated with other on-chip peripherals such as the timer or handshake I/O systems. The pins are PA0/IC3, PA1/IC2, PA2/IC1, PA7/PAI/OC1, and AS/STRA. The input-capture pins can be configured to detect rising edges, falling edges, or any edge. The PAI and STRA inputs can be configured to detect rising edges or falling edges. The STRA input is only available if the MCU is operating in a single-chip mode because the pin is used as the address strobe (AS) output when the MCU is in expanded modes. These five pins have advantages over the $\overline{\text{IRQ}}$ and $\overline{\text{XIRQ}}$ pins in that each of these five interrupts is independently maskable with a local control bit as well as the global I bit in the CCR. Each of these five interrupts also has a readable status indication, and a pending request can be cleared without being serviced.

2.4.7 A/D Reference and Port E Pins (V_{REFL} , V_{REFH} , and PE7–PE0)

The V_{REFH} and V_{REFL} pins provide the reference voltages for the A/D converter circuitry. Since the A/D converter is an all-capacitive charge-redistribution converter, there is essentially no dc current associated with these pins. Very small dynamic currents are caused by charge-redistribution switching during conversions (see [Section 12. Analog-to-Digital Converter System](#)). These pins are normally connected to V_{DD} and V_{SS} through a low-pass filter network (see [Figure 2-13](#)) to isolate noise on the logic power supply from the relatively sensitive analog measurements. A low-noise precision reference supply can be used alternatively. There should be at least 2.5 V between V_{REFL} and V_{REFH} for full A/D accuracy. Lower values will result in more inaccuracy, but the converter will continue to operate. The A/D system is tested at 4.5 V and 5.5 V across the reference supply pins.

There is an inherent diode from V_{REFL} to V_{SS} . If V_{REFL} goes below V_{SS} by more than this diode drop, any conversion in progress may be corrupted, but no permanent physical damage will result until significant current is drawn. The only documented cases of damage have been

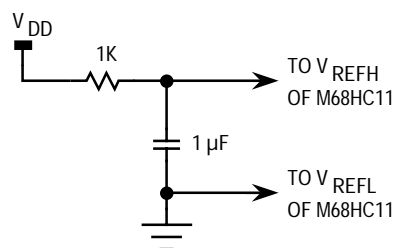


Figure 2-13. Low-Pass Filter for A/D Reference Pins

caused by blatant misapplication, such as connecting -12 V directly to the V_{REFL} pin. Since no P-channel devices are associated with the V_{REFH} pin, there is no diode clamping to V_{DD} . The gates of analog switches associated with the A/D reference and input pins are controlled by signals that switch between V_{SS} and about 7 V . This higher-than- V_{DD} supply is the output of a charge pump (separate from the charge pump used for programming on-chip EEPROM). There is no special requirement to keep V_{REFH} below V_{DD} . In fact, the converter will continue to produce good results up to approximately 6 V on V_{REFH} .

The port E input pins are used for general-purpose inputs and/or A/D analog inputs. These inputs are designed so that the digital input buffers are disabled at all times except for part of a cycle during an actual read of port E; thus, analog levels near the switch point of the digital input buffer do not result in high power-supply current drains as in a normal CMOS input buffer. The buffers are enabled by an extra N-channel device in series with the N-channel device in the input inverter. During a digital read of port E, these extra N-channel devices are turned on for part of the read cycle. Because of this special circuitry, it is not necessary to terminate unused port E pins.

The analog and digital functions of port E do not normally interfere with each other; thus, any combination of pins can be used as digital inputs while the remaining port E pins are used for analog inputs. Turning on the digital buffer during an analog sample may cause small disturbances on the input line, which may cause small errors in the sampled analog level. The disturbances would be caused by small gate-to-drain and gate-to-source capacitances and would have to occur very close to the trailing edge of a sample period to have any noticeable effect. The

disturbances are so small (if they exist) that they probably would not cause any measurable inaccuracy. Since it is so easy to arrange software to avoid this condition, it is probably easier to avoid potential disturbances.

2.4.8 Timer Port A Pins

Port A includes three input-only pins, four output-only pins, and one pin that can be configured to operate as an input or as an output. The input-only pins (PA0/IC3, PA1/IC2, and PA2/IC1) also serve as edge-sensitive timer input-capture pins. The four output-only pins (PA3/OC5/OC1, PA4/OC4/OC1, PA5/OC3/OC1, and PA6/OC2/OC1) also serve as main timer output-compare pins. Whenever an output-compare function is enabled, that pin cannot be used for general-purpose output. These four pins can be controlled by output compare 1 (OC1) and/or another output compare. The PA7/PAI/OC1 pin can be used as a general-purpose I/O pin, as a pulse-accumulator input, or as an OC1 output pin.

2.4.9 Serial Port D Pins

Port D includes six general-purpose, bidirectional I/O pins that can be individually configured as inputs or as outputs. When the serial communications interface (SCI) receiver is enabled, the PD0/RxD pin becomes an input dedicated to the RxD function. When the SCI transmitter is enabled, the PD1/TxD pin becomes an output dedicated to the TxD function. When the serial peripheral interface (SPI) system is enabled, the PD2/MISO, PD3/MOSI, PD4/SCK, and PD5/ $\overline{\text{SS}}$ pins become dedicated to SPI functions. Even while the SPI system is enabled, the PD5/ $\overline{\text{SS}}$ pin can be used as a general-purpose output by setting the corresponding DDRD5 bit, provided the SPI system is configured for master mode of operation.

The six port D pins can be configured (port D wired-OR mode (DWOM) control bit in SPI control register (SPCR)) for wired-OR operation. This option disables the P-channel device in the output drivers so port D outputs can actively drive low but not high, allowing two or more such outputs to be connected without contention. Since the P-channel device

is physically present (just turned off), there is an inherent diode from the output pin to V_{DD} so the pin cannot be pulled to a level higher than V_{DD} (unlike a transistor-transistor logic (TTL) open-collector output). An external pullup resistor is required on all port D outputs when the wired-OR option is used. The firmware bootloader program configures port D for wired-OR operation when the MCU is reset in bootstrap mode. If the application is using bootstrap mode, either turn off the wired-OR option after downloading or supply external pullup resistors on port D output pins.

2.4.10 Ports B and C and STRA and STRB Pins

These 18 pins are used for general-purpose I/O while the MCU is operating in single-chip mode. When an expanded mode is used, these 18 pins become a multiplexed address/data bus with an address strobe (AS) and a read/write (R/\overline{W}) control line. [Table 2-2](#) summarizes the functions of these pins related to the MCU operating mode.

Table 2-2. Ports B and C and STRA and STRB Pins

Port	Bit	Single-Chip and Bootstrap Mode		Expanded-Multiplexed and Special Test Mode	
B	0	PB0	Output	A8	Address output
B	1	PB1	Output	A9	Address output
B	2	PB2	Output	A10	Address output
B	3	PB3	Output	A11	Address output
B	4	PB4	Output	A12	Address output
B	5	PB5	Output	A13	Address output
B	6	PB6	Output	A14	Address output
B	7	PB7	Output	A15	Address output
C	0	PC0	Input/output	A0/D0	Address/data multiplexed
C	1	PC1	Input/output	A1/D1	Address/data multiplexed
C	2	PC2	Input/output	A2/D2	Address/data multiplexed
C	3	PC3	Input/output	A3/D3	Address/data multiplexed
C	4	PC4	Input/output	A4/D4	Address/data multiplexed
C	5	PC5	Input/output	A5/D5	Address/data multiplexed
C	6	PC6	Input/output	A6/D6	Address/data multiplexed
C	7	PC7	Input/output	A7/D7	Address/data multiplexed
		STRA	Input strobe (edge in)	AS	Address strobe (out)
		STRB	Output strobe	R/\overline{W}	Read/write select

In single-chip modes, no external address/data bus is needed; thus, these 18 pins are available for general-purpose I/O. Port B is an 8-bit output-only port; port C is an 8-bit bidirectional I/O port. Any combination of bits in port C can be configured as outputs; the remaining bits are used as inputs. Several automated handshake I/O functions are associated with ports B and C. These strobe and handshake functions use the STRA and STRB pins as strobes and handshake controls. The STRA pin is an edge-detecting input that causes port C data to be latched into a special internal latch register. The active edge for STRA is software selectable, and any port C pin can be used for general-purpose static I/O while other pins are being used for latched inputs. If strobe and handshake functions are not being used, STRA can still be used as an edge-detecting interrupt input but cannot be used as a general-purpose static input. The STRB pin is an output strobe associated with the handshake I/O functions of ports B and C. If handshake functions are not being used, STRB can still be used as a general-purpose output, though it is more difficult to control than a normal port output pin. For a detailed discussion of the handshake I/O functions of ports B and C, refer to [Section 7. Parallel Input/Output](#).

When the MCU is operating in expanded modes, these 18 pins are used for an address/data bus to allow the central processor unit (CPU) to access a 64-Kbyte memory space. To save pins, the low-order address and 8-bit data are time multiplexed on eight pins. During the first half of each bus cycle, address output signals, A7–A0, are present on these eight pins; during the second half of each bus cycle, these eight pins are used as a bidirectional data bus, D7–D0. The AS signal is used as an active-high latch enable to an external address latch. Address information is allowed through this external transparent latch while AS is high, and the stable address information is latched when AS is low. The E clock is used to enable external devices to drive data into the CPU during the second half of a read bus cycle (E clock high). The R/\overline{W} signal indicates the direction of data — high for read cycles, low for write cycles.

NOTE: *The AS/STRA pin is an output in expanded modes and an input in single-chip modes. Remember to terminate this pin as an unused input in single-chip modes.*

2.5 Termination of Unused Pins

Because the MC68HC11A8 is a CMOS device, unused input pins must be terminated to ensure proper operation and reliability. [Figure 2-14](#) shows a CMOS inverter, which is representative of circuitry found on CMOS input pins. When the input is logic 0, the P-channel transistor is on (conducting), and the N-channel transistor is off. When the input is logic 1, the P-channel transistor is off, and the N-channel transistor is on. These transistors are actually linear devices with relatively broad switch points. As the input passes through midsupply, there is a region where both transistors conduct to some degree. Under normal circumstances, the input does not remain in this linear region for very long. Once the inverter has completely switched so that only one of the two transistors is conducting, there is virtually no current flow. This principle is why the overall current drain of a CMOS device is directly proportional to the rate of switching. Essentially, all current is due to gates that are in the linear region during transitions and for charging and discharging internal capacitances. Because the input is very high impedance, if it is not connected, the input can oscillate or float to a midsupply level. Either of these conditions can result in added power-supply current. The oscillation case can result in coupling of noise to the power supply. In older CMOS designs, the large currents caused by an input that floated to midsupply could even induce CMOS latchup, which could destroy the integrated circuit. Current design techniques on the MC68HC11A8 have made latchup due to a floating input unlikely, but it is still important to terminate unused inputs to avoid oscillation, noise, and added supply current.

NOTE: *Some inputs on the MCU (\overline{RESET} , EXTAL, MODA, and MODB) cannot be left unterminated in any system.*

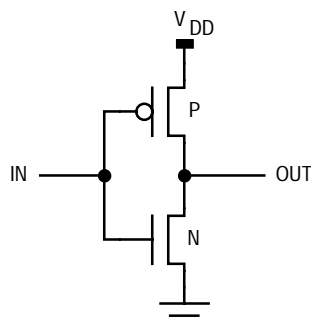


Figure 2-14. CMOS Inverter

The port E input pins have an extra N-channel device between V_{SS} and the bottom of the N-channel device of the input inverter. Since this extra device is only enabled for half a cycle during a digital read of port E, it is less important to terminate unused port E pins than other unused inputs. In cases of very slow bus frequencies, even half a cycle might be a significant length of time, and unused port E pins could be terminated. In some battery-powered systems where port E is read often, it would be desirable to eliminate the potential added supply current.

Since the V_{REFL} and V_{REFH} pins do not connect to the inputs of any CMOS gates within the MC68HC11A8, these pins do not need terminating if they are not used. Although termination is not required, it may reduce the risk of damage due to high-voltage static electricity.

Other than A/D pins, there are two basic types of input pins on the MC68HC11A8 — an input-only pin and an input/output pin. The best method to terminate unused inputs is with a pullup or pulldown resistor for each unused pin. Input-only pins can be connected to each other and then to a common termination point. Although this method is less expensive and takes less space than individual pullups, it is much harder to separate and use one of these pins if it is needed later. Although input-only pins can be connected directly to V_{DD} or V_{SS} , it is better not to because this connection makes it difficult to change the level at that input. If a pullup or pulldown resistor is used instead, a signal can easily be connected to the input later. The preferred method of terminating pins that can be configured for input or output is with individual pullup or pulldown resistors for each unused pin. Some users leave these pins unconnected and reconfigure them as outputs during initialization. There is still a brief period during reset and initialization where these pins are unterminated inputs. There is also a small risk that a defective system might fail to reconfigure these pins as outputs. A pin capable of being configured as an output should never be connected to another such pin or directly to either power-supply rail. If the pin ever became an output, there is a possibility of high current drain due to an output conflict.

To eliminate potential problems, part of the verification procedure for the design of every MCU system should be a pin-by-pin review of what is connected to every pin on the MCU.

2.6 Avoidance of Pin Damage

Any integrated circuit can be damaged or destroyed by exposure to illegal voltages or conditions. By understanding the failure mechanisms, a designer can protect against damaging conditions. In some cases, a product can even be designed to tolerate common end-user errors by designing protective interface circuits.

The data sheets for integrated circuits state conservative limits and conditions that will definitely protect the integrated circuit. The consequences of violating the specified limits are not usually discussed because there are too many variables affecting the results. In some cases, the MCU can tolerate significantly worse conditions than the stated limits, although it is almost impossible to quantify or guarantee this better performance for all parts and conditions.

There are several basic types of pin interface circuits on the MC68HC11A8. The exact devices connected to the pin influence what happens as the voltage level at the pin is driven above V_{DD} or below V_{SS} . Many other factors, including ambient temperature and lot-to-lot process variations, also influence the reaction of the MCU to illegal voltage levels and conditions. The following discussion explains the conditions leading to actual damage and what that damage might be. This information should be used as a guideline to help engineers avoid conditions leading to possible MCU damage.

Connected to the substrate of the silicon die, the V_{SS} pin is the reference point from which all other voltages are measured. The V_{DD} pin is the main positive power supply for the MCU. Data sheet information is tested and guaranteed for V_{DD} equal to 5 V \pm 10 percent, but, in limited temperature range applications, the MCU can operate over a wider range of V_{DD} (some timing and drive capability specifications may not be met). V_{DD} and operating temperature have a significant effect on the speed of CMOS logic. As V_{DD} is reduced, the maximum crystal frequency must also be reduced. For V_{DD} equal 5 V \pm 10 percent, the MC68HC11A8 can operate with a maximum bus frequency of 2.1 MHz; when V_{DD} is 3 V, the maximum bus frequency is about 1 MHz. At low temperatures, speed increases and power-supply current decreases. The MCU can typically operate with V_{DD} levels up to 7 V without

damaging the MCU, but timing and drive levels will differ from the specified limits. Also, there may be some adverse effects on gate oxides from long-term exposure to V_{DD} greater than or equal to 7 V. A battery-based application could be exposed to V_{DD} greater than 5 V when batteries are new and still be expected to work properly as the battery voltage slowly decays to some level well below 5 V. Although the MC68HC11A8 could be used in such an application, published specifications do not cover this range of V_{DD} .

2.6.1 Zap and Latchup

Zap and latchup are terms familiar to failure analysis engineers that work on CMOS integrated circuits. Zap refers to damage caused by very high-voltage static-electricity exposure. Static-electricity (zap) damage usually appears as breakdown of the relatively thin oxide layers that causes leakage or shorts. Often secondary damage occurs after an initial zap failure causes a short.

Latchup refers to a usually catastrophic condition caused by turning on an unintentional, bipolar, silicon-controlled rectifier (SCR). A latchup SCR is formed by N and P regions in the layout of the integrated circuit, which act as the collector, base, and emitters of unintentional, parasitic transistors. Bulk resistance of silicon in the wells and substrate act as resistors in the SCR circuit. Application of voltages above V_{DD} or below V_{SS} , in conjunction with enough current to develop voltage drops across the parasitic resistors in the unintentional SCR circuit, can cause the SCR to turn on. Normally, once this SCR is turned on, it can be turned off only by removing all power from the integrated circuit. The on-impedance of the SCR can overheat and destroy the integrated circuit.

Improvements in layout and processing techniques have made newer HCMOS devices, such as the MC68HC11A8, much less likely to suffer damage from zap and latchup. Because of the destructive nature of these mechanisms, it is impossible to test every device for zap and latchup limits the way timing and drive levels are tested. To ensure product reliability, sample groups of devices are destructively tested.

2.6.2 Protective Interface Circuits

In applications where MCU pins might be exposed to detrimental conditions, protective interfaces may be needed to protect the MCU from damage. The two main goals of any protective interface are to prevent high currents from flowing and to prevent illegal voltage levels at a pin. A low-pass filter can often satisfy both goals. In less common situations, it may also be necessary to provide diode clamps to prevent high voltages at some pins. All pins on the M68HC11 have internal inherent diode clamps to V_{SS} , but only some of the pins include clamps to V_{DD} . The following subsections discuss the internal circuits for each type MCU pin and note special considerations for the protection of these pin types.

Usually, the only pins needing protection are those that are exposed to signals from outside the system. For example, in an automobile engine controller, the sensors for air and fuel flow are connected to the engine control module and ultimately to MCU inputs. These signals are prime candidates for protective interfaces because noise or illegal levels could accidentally be applied through the interface wiring. On the other hand, any buses and signals wholly contained within the control module probably do not require any sort of protective interface because there is little chance that these signals would be exposed to illegal levels. In a few cases, a protective interface can even interfere with normal operation of an MCU signal. For example, a low-pass filter on an address or data line of an expanded MCU system would introduce significant delays to these signals, dramatically limiting the maximum operating speed of the system.

2.6.3 Internal Circuitry — Digital Input-Only Pin

Figure 2-15 shows the MOS circuitry for a digital input-only pin. The gates of input buffer [3] are very high impedance for all voltages that would ever be applied to the pin. The thick-field protection device [2] normally prevents the pin voltage from reaching levels that could damage the gates of the input buffer. The exact circuitry of the input buffer may be different for different digital inputs (for example, to provide hysteresis, etc.), but only device gates will be connected directly to the

pin. Allowing a pin to float (or be driven) to a midsupply level can result in both the N- and P-channel devices in the input buffer simultaneously being partially on, which causes excess current and noise on the V_{DD}/V_{SS} power supply. Port E inputs are exceptions because they are specifically designed to be driven by analog levels.

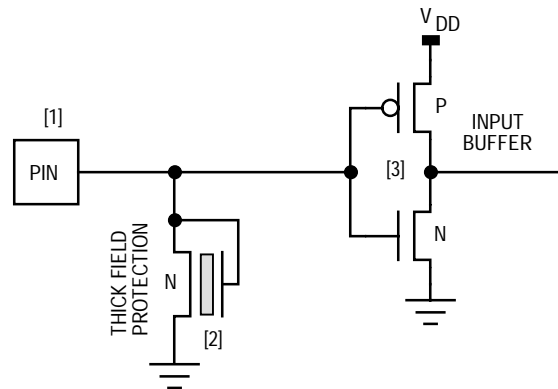


Figure 2-15. Internal Circuitry — Digital Input-Only Pin

If a digital input pin (see [Figure 2-15](#)) is driven with voltages below V_{SS} , the thick-field protection device [2] forms an inherent diode junction to V_{SS} , which conducts when the pin voltage gets more than a diode drop below V_{SS} . As the pin voltage is driven more negative with respect to V_{SS} , current increases. These currents have a tendency to influence the die substrate in the area around the protection device, thus affecting the electrical characteristics of devices in the vicinity. When the pin current is increased to very high levels (typically more than 100 mA, specified limit is 25 mA), physical damage can result.

As voltage at [1] is driven above V_{DD} , the protection device will begin to conduct and tend to clamp the input voltage to protect input buffer [3]. The voltage at which this condition will occur varies significantly from lot to lot and over the operating temperature range. At room temperature, the pin typically does not draw any current until approximately 20 V; at 125°C, the pin may start conducting at a slightly lower level. Up to this point, the pin appears to function normally and will return a logic 1 if read. As the pin voltage increases, the thick-field protection device begins to conduct more current to the die substrate, which is V_{SS} . There should be some external series impedance between the pin and the input voltage source if the MCU will be used in a detrimental environment. If the input

voltage is increased even further, the protection device [2] will avalanche, and the pin voltage will eventually fold back (typically to about 7 to 12 V). Under these conditions, a parasitic bipolar transistor, which is not obvious from the MOS schematic, is turned on and is holding the pin at the 7-volt level. This avalanche is still normally not destructive to the pin. Since the foldback clamp level is relatively low impedance, the pin voltage cannot be raised further without supplying a large current. If the offending voltage source is increased to increase the pin current, the pin circuitry will be damaged (specified limit is 25 mA, typically takes more than 100 mA). Gate oxides in these inputs are not intended to be exposed to voltages above 7 V for any significant amount of time. With the HCMOS processing used in the MC68HC11A8, a latchup failure is unlikely unless legal drive limits are grossly exceeded.

2.6.4 Internal Circuitry — Analog Input-Only Pin

Figure 2-16 shows the MOS circuitry associated with an analog input-only pin. This MOS logic is similar to that for a digital input-only pin except for the addition of the analog multiplexer [5] and the extra N-channel device below the buffer. The N-channel device [5] acts as an analog multiplexer and affects the behavior of an analog input pin when exposed to negative voltages. The N-channel device [4] allows the analog input pins to be driven by intermediate levels without causing the noise and current normally associated with the input buffer when its input is at a midsupply level. This device is only turned on for half an E-clock cycle during a digital read of port E. Since the analog input pins (including the V_{REF} pins) are only connected to N-channel devices and high-impedance gates, these pins can be driven with levels above V_{DD} without the usual fear of latchup. This aspect is important because the analog reference supply is typically independent of the V_{DD} supply for noise isolation reasons.

An analog input pin (see **Figure 2-16**) responds very much like a digital input to illegal levels except that negative levels at the pin can affect A/D operations. The analog functions associated with these pins also present some special challenges to protective interface circuits. Although the N-channel device [4] eliminates the need for external pullup or pulldown resistors on unused port E pins, a conservative designer would still terminate these pins to help prevent static damage.

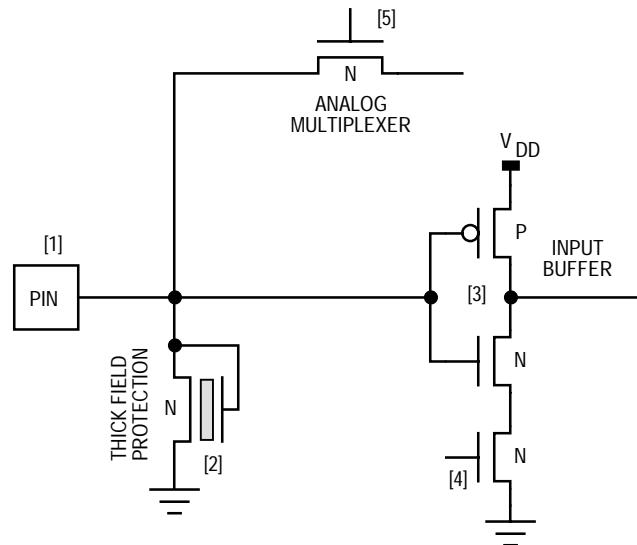


Figure 2-16. Internal Circuitry — Analog Input-Only Pin

If the pin voltage is driven low enough relative to the gate voltage of the analog multiplexer device, this N-channel device can turn on. A conductive path between the negative pin and the A/D capacitor array may discharge the capacitors and disrupt any A/D conversion in progress. The thick-field protection device and other circuit and layout measures around the N-channel multiplexer device are intended to prevent the pin voltage from becoming negative enough to turn on the multiplexer device. Even with these internal protective measures, a cautious user should avoid negative levels on any A/D pin because a large negative transient could still disrupt an A/D conversion. An A/D conversion can be disrupted in this manner if any A/D pin experiences a serious negative transient; the transient need not be on the pin associated with the conversion.

External diode clamps to V_{DD} are not necessarily a good idea on the analog inputs. Leakage through an external diode would be significant in relationship to the pin leakage current; thus, this extra leakage could affect the accuracy of analog conversion results. Analog input pins can usually be protected by a low-pass filter with enough series impedance to limit the pin voltage. The amount of series resistance is a trade-off between a high enough value to limit pin voltage and a low enough value to prevent pin leakage current from adversely affecting conversion

results. Conversion accuracy is specified for a maximum external series resistance of 10 k Ω . The worst-case specified leakage current at the pin is 400 nA (at room temperature, leakage is typically much less). The 400 nA acting through 10 k Ω causes an absolute conversion error of minus one-fifth of a least significant bit (LSB) when V_{REF} is 5.12 V, leaving only about one-quarter of an LSB for actual A/D circuit errors before the results would be out of specified limits. Using a larger external resistance in series with an A/D pin may cause some inaccuracy due to the leakage current acting through this resistance, but the A/D will still respond in a predictable manner. There may be valid system design reasons for choosing a high external series resistance (for example, to minimize power consumption in a battery-based system). For additional detailed information concerning the A/D input pins, see [12.5 A/D Pin Connection Considerations](#).

2.6.5 Internal Circuitry — Digital I/O Pin

[Figure 2-17](#) shows the MOS circuitry for an MCU pin capable of operating as an input or an output. Even when the pin is configured to disable the output driver circuitry, the MOS transistors still affect the way the pin reacts to illegal levels. The P-channel device of the output driver [3] forms an inherent diode to V_{DD} , and the N-channel device forms an inherent diode to V_{SS} , which is in parallel with the inherent diode of the thick-field protection device.

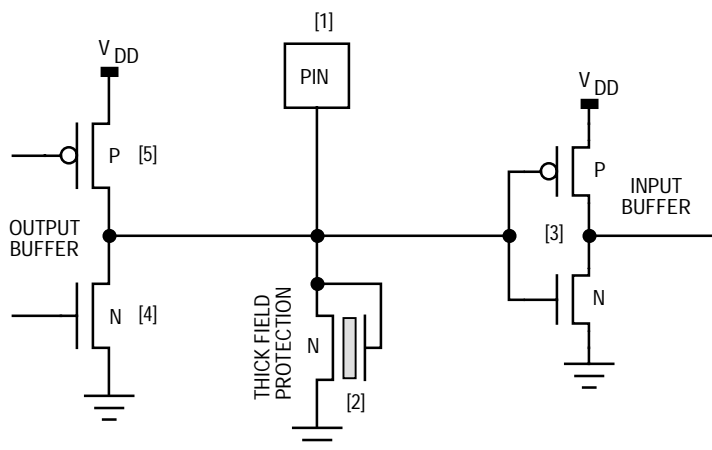


Figure 2-17. Internal Circuitry — Digital I/O Pin

When the pin is configured as a high-impedance input, input signals are clamped to within a diode drop of the V_{SS} and V_{DD} power-supply rails. When the pin is configured as an output, the P- or N-channel device provides a low-impedance path to V_{DD} or V_{SS} , respectively. The current into or out of the pin should be limited to prevent damage. The specified current limit is 25 mA, although these pins can typically withstand transients of more than 100 mA at nominal room temperature.

The port C and port D I/O pins of the M68HC11 can be configured as open-drain-type outputs. This configuration disables the gate signal to the P-channel device of the output buffer so the pin cannot be driven to an active-high logic level, but the P-channel device is still physically present and forms an inherent diode to V_{DD} . In a few applications, the situation will arise where two or more MCU I/O pins are tied to the same point. Software would be arranged so that no more than one of these I/O pins is configured as an output at any time to avoid output driver contention. In these applications, the I/O pins should be configured for the open-drain mode so the output drivers are prevented from high-current contention.

2.6.6 Internal Circuitry — Input/Open-Drain-Output Pin

Two pins on the M68HC11 ($\overline{\text{RESET}}$ and $\overline{\text{MODA/LIR}}$) have high-impedance input functions as well as open-drain output functions (see [Figure 2-18](#)). These pins are similar to I/O pins except that there is no P-channel device in the output driver. Since the P-channel output device is not present, there is no inherent diode to V_{DD} . In terms of negative illegal levels at these pins, two diodes clamp the pin to a diode drop below ground. In terms of positive levels above V_{DD} , the N-channel output device starts to conduct before the thick-field protection device; thus, typically the clamp level for these pins will be lower than that for a digital input-only pin. As for any MCU pin, current should be limited to prevent damage.

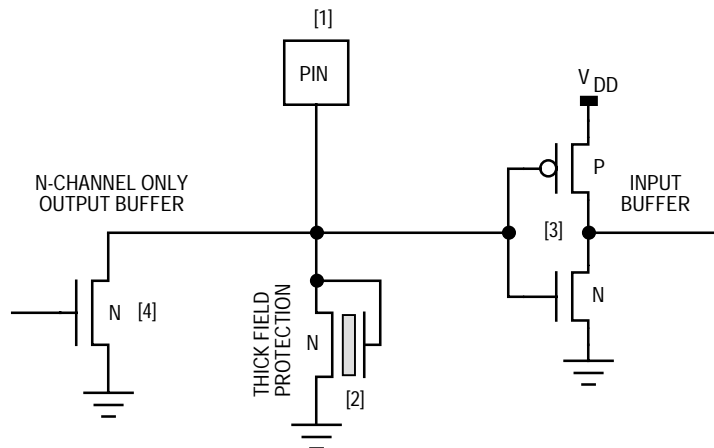


Figure 2-18. Internal Circuitry — Input/Open-Drain-Output Pin

2.6.7 Internal Circuitry — Digital Output-Only Pin

Output-only pins react to illegal levels exactly like I/O pins. [Figure 2-19](#) shows the MOS circuitry for a digital output-only pin.

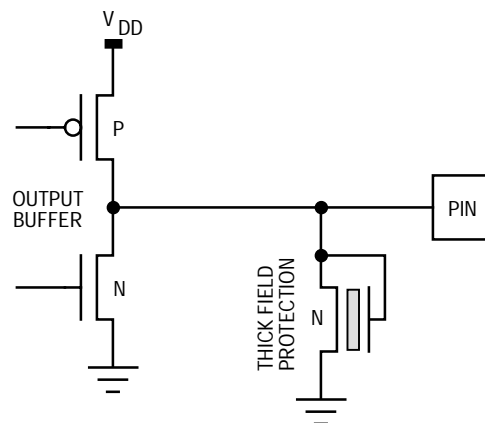


Figure 2-19. Internal Circuitry — Output-Only Pin

2.6.8 Internal Circuitry — MODB/ V_{STBY} Pin

The MODB/ V_{STBY} pin is unusual because it serves as a standby voltage source in addition to acting as a mode select input (see [Figure 2-20](#)). A MOS switch automatically connects the internal RAM power supply to the higher of V_{DD} or V_{STBY} . If an illegal high level is applied to the

MODB/ V_{STBY} pin, this illegal voltage is passed into the internal RAM system. A minor elevation of V_{STBY} relative to V_{DD} can be tolerated during MCU operation, but any significant elevation can result in incorrect reads of RAM data.

When a battery or other standby voltage source will be used to maintain RAM contents in the absence of V_{DD} , the MODB/ V_{STBY} pin should be driven by V_{DD} (rather than the standby source) during normal operation. The MODB/ V_{STBY} pin should not be driven by a higher level than V_{DD} , except during standby periods; during these periods, \overline{RESET} should be driven low.

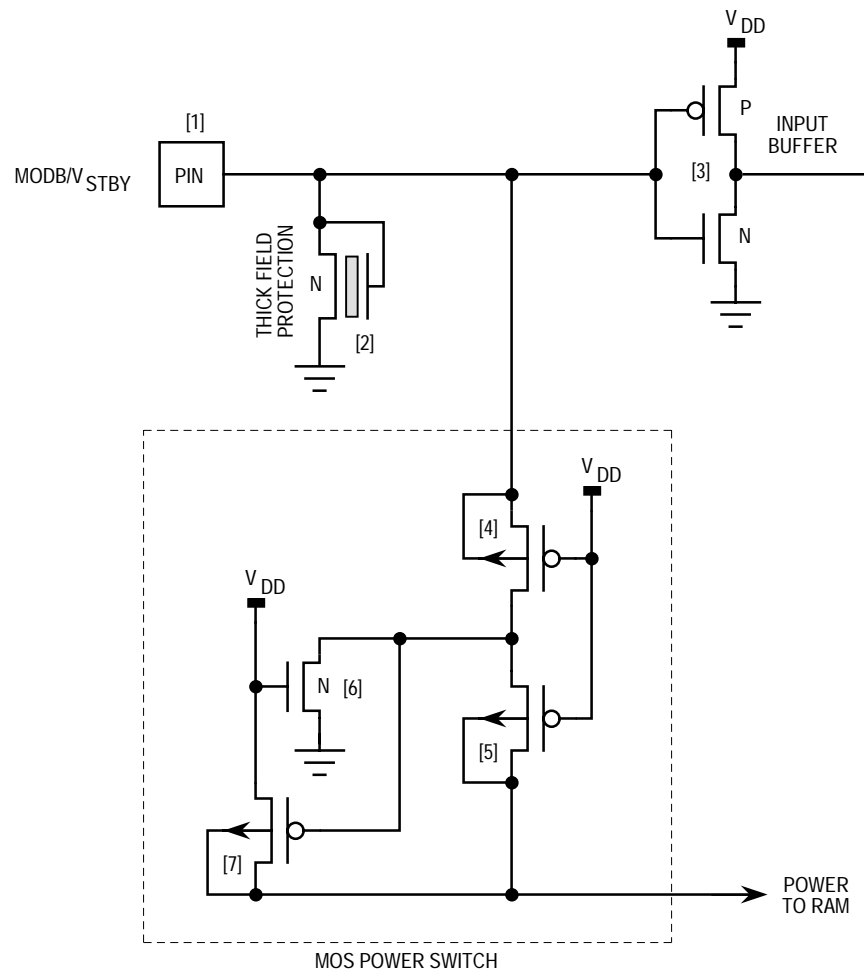


Figure 2-20. Internal Circuitry — MODB/ V_{STBY} Pin

2.6.9 Internal Circuitry — $\overline{\text{IRQ}}/V_{\text{PPBULK}}$ Pin

The $\overline{\text{IRQ}}$ pin is used as a high-voltage (20 V) power source during factory testing. This high-voltage source supplies power for bulk programming operations because the internal charge pump is not designed to provide enough current for these bulk programming operations. **Figure 2-21** shows the MOS circuitry for the $\overline{\text{IRQ}}/V_{\text{PPBULK}}$ pin. The $\overline{\text{IRQ}}/V_{\text{PPBULK}}$ pin essentially reacts like an input-only pin to illegal levels.

The normal V_{PP} level used during testing is very near the level where the thick-field protection device begins to conduct. It is important to limit the current of the V_{PP} power supply into the $\overline{\text{IRQ}}/V_{\text{PPBULK}}$ pin with an external series resistor (typically 27 k Ω) because noise or overshoot can trigger the low-impedance foldback mechanism of the protection device. Without a current-limiting resistor, the small metal line connecting the bonding pad to the pin input circuitry will instantly vaporize. Normal users would not encounter this potential problem since the V_{PP} function of the $\overline{\text{IRQ}}/V_{\text{PPBULK}}$ pin is only intended for use by Motorola. The current-limiting resistor has no adverse effect on the bulk programming process since the current requirements for EEPROM programming are very small.

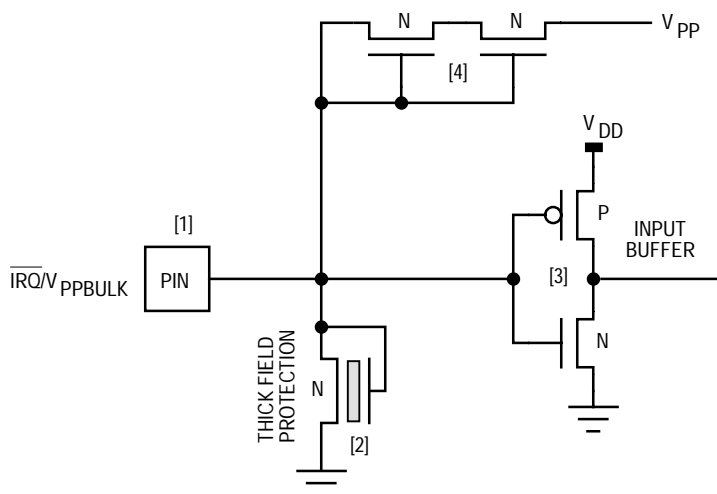


Figure 2-21. Internal Circuitry — $\overline{\text{IRQ}}/V_{\text{PPBULK}}$ Pin

2.7 Typical Expanded Mode System Connections

The schematic shown in [Figure 2-22](#) is for a fairly straightforward expanded mode system, which can be operated in normal expanded mode or special test mode. This circuitry can be used as the basis for any expanded mode application. In most cases, the circuitry for the power supply, oscillator, and mode selects can be used exactly as shown in this system. If additional memory or peripheral functions are added to the address and data buses, the loading should be reviewed to determine whether additional buffering is required. Loading is generally limited by load capacitance before the dc drive capabilities of the MCU drivers are reached. At bus frequencies lower than 2 MHz, more capacitance can be driven before buffers are required. In applications where heavy bus loading occurs, it is necessary to increase power-supply bypass capacitors to provide for these higher bus switching demands on V_{DD} .

The address decoding used in this example system is unusual in that the external EPROM is decoded to appear in either of two memory areas. Some commonly used terms to describe this type of decoding are partial decode, redundant mapping, and mirroring. In this system, the external EPROM appears at \$E000–\$FFFF and at \$A000–\$BFFF so that the reset vector can be fetched out of this EPROM whether the MCU is operating in normal expanded mode or special test mode. This mapping also allows the MCU to come out of reset in special test mode, check the contents of the EEPROM-based CONFIG register (change CONFIG if necessary), and then change the operating mode to normal expanded mode. There are several potential advantages to starting a system this way (see [3.7.3 Special Test Mode](#)).

The 74HC138 decoder provides address-qualified read enable and write enable signals for two 8-Kbyte by 8 static RAMs. The other four outputs of this 74HC138 provide additional chip selects for additional RAM or peripheral devices. Since the $\overline{R/\overline{W}}$ signal drives one of the address selects of the 74HC138, there are four active-low read enable outputs and four active-low write enable outputs. The timing for these outputs is controlled by the E clock and the propagation delay through the 74HC138 decoder. Address and $\overline{R/\overline{W}}$ are stable long before the rising edge of the E clock.

Pins and Connections

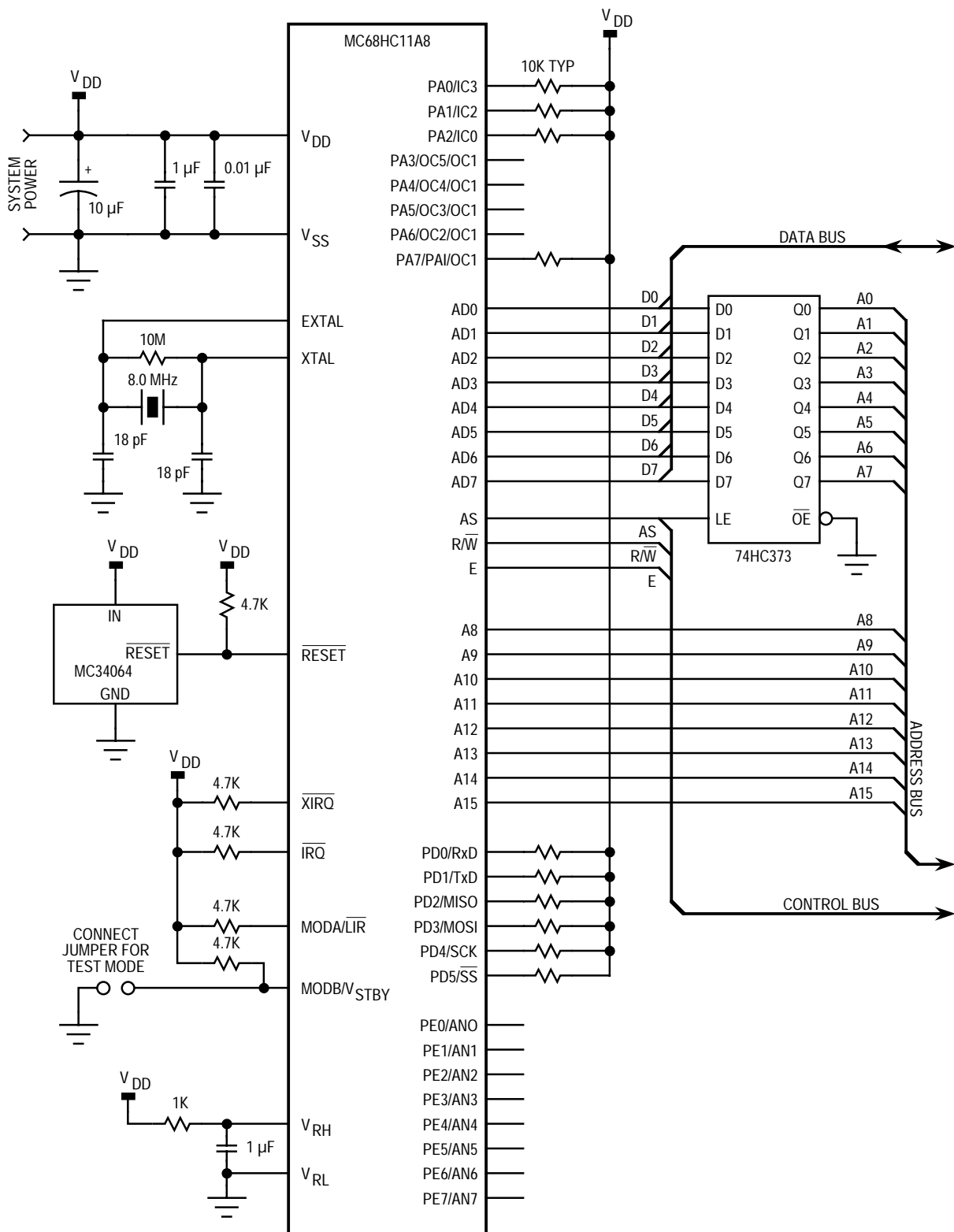


Figure 2-22. Basic Expanded Mode Connections (Sheet 1 of 2)

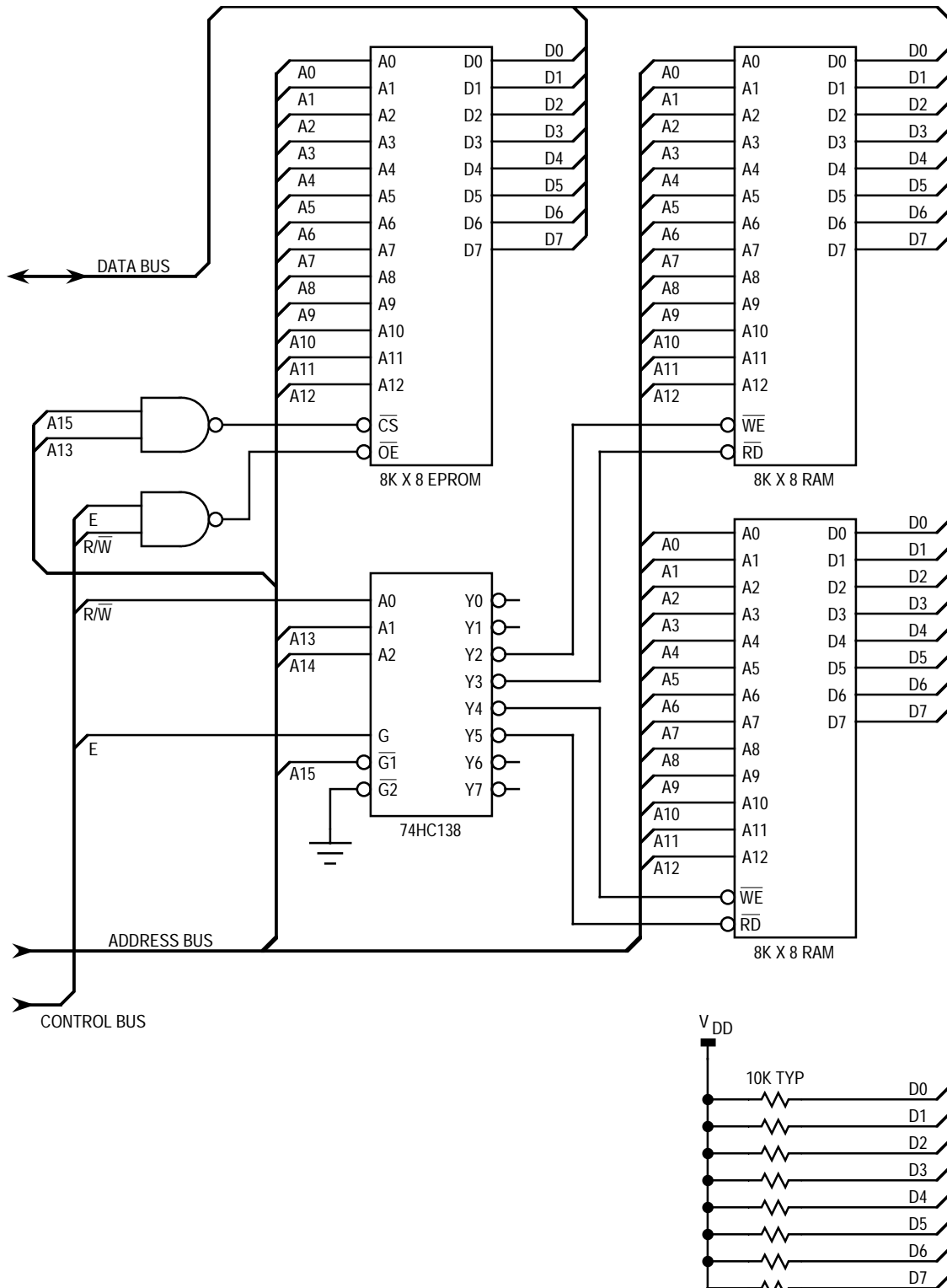


Figure 2-22. Basic Expanded Mode Connections (Sheet 2 of 2)

Pins and Connections

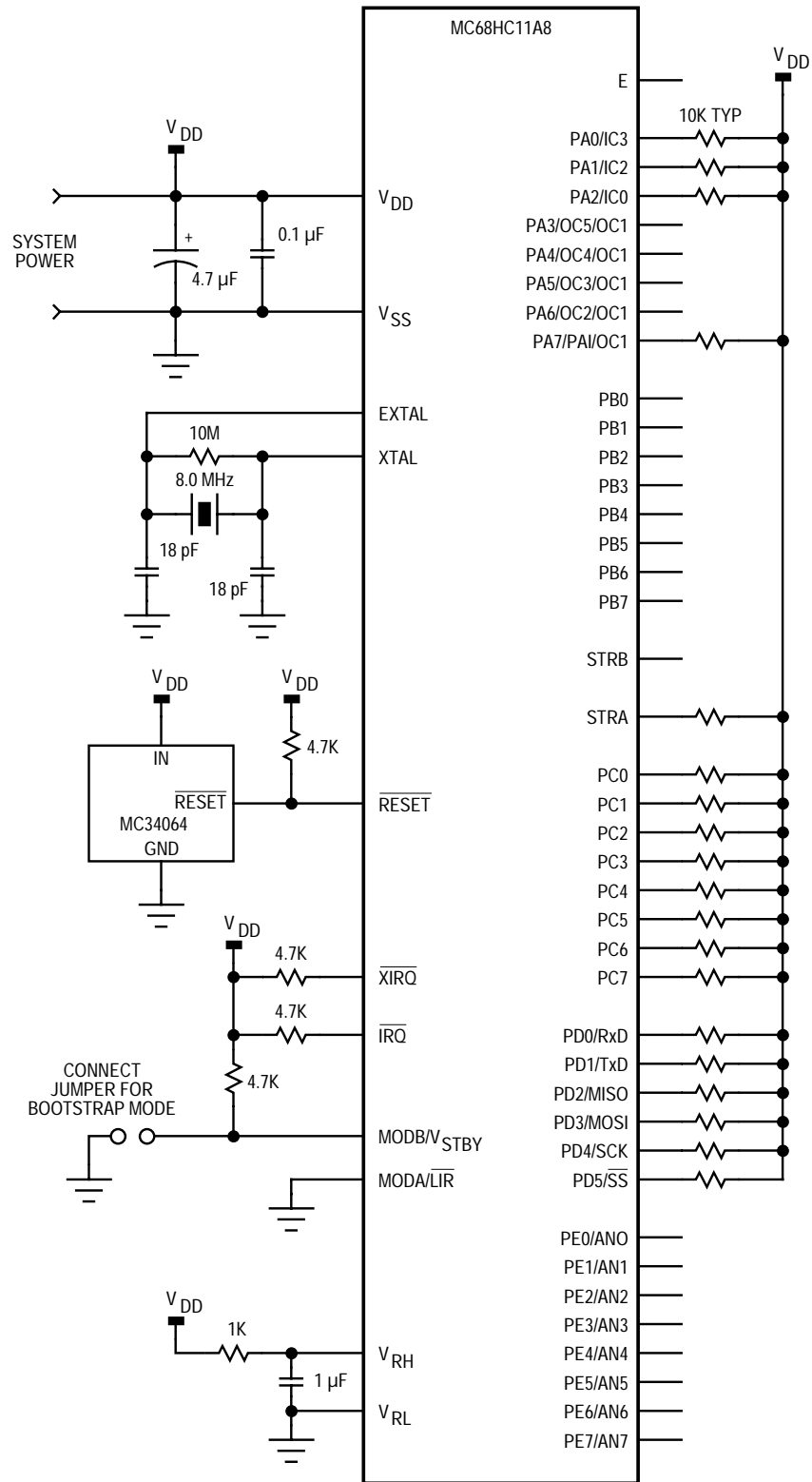


Figure 2-23. Basic Single-Chip Mode Connections

The decoding for the EPROM was done with two sections of a quad NAND gate. Address valid time controls the chip select access time of the EPROM. This chip select decode provides for a longer access time than the chip select arrangement on the RAMs because EPROMs are typically slower than static RAMs. The E clock controls the output enable of the EPROM, which typically has a much shorter setup time requirement than the chip-select input to the EPROM. Since address line A14 is not included in the decode for the EPROM, the EPROM will appear twice in the memory map: at \$A000–\$BFFF where A14 is low and at \$E000–\$FFFF where A14 is high.

A few potential address conflicts can occur in this system. The on-chip ROM and/or on-chip EEPROM can conflict with the external EPROM. For the purposes of this example, it is assumed that the internal ROM will not be used and will be disabled by the ROMON control bit in the CONFIG register. The potential for conflict with the EEPROM poses no concern in normal expanded mode because the external MCU data bus is high impedance and ignored during reads of the internal EEPROM. In special test mode, there is a potential for an undesirable conflict if the EEPROM is read while the IRV function is enabled (see [2.9.2 Internal Read Visibility \(IRV\)](#)). Although normally this conflict would not be destructive, it would increase power consumption and generated noise. In this example system, the special test mode would be in effect only for a short time after reset, and reads of the internal EEPROM could be avoided easily during this time.

2.8 Typical Single-Chip Mode System Connections

Figure 2-23 is the schematic for a simple single-chip-mode system, which can be operated in normal single-chip or special bootstrap mode. This circuit can be used as the basis for any single-chip-mode application. In most cases, the circuitry for the power supply, oscillator, and mode selects can be used exactly as shown in this system. Only specialized I/O circuitry specific to the application needs to be designed from scratch. All unused inputs are terminated in an appropriate manner.

2.9 System Development and Debug Features

The designers of the M68HC11 carefully considered the system development needs of the user. Since smaller users cannot afford thousands of dollars for a development system, the M68HC11 was specifically designed to accommodate low-cost development tools. The M68HC11EVB evaluation board and M68HC11EVM evaluation module are two examples of such low-cost tools. Several customers have also built small plug-in modules that emulate the MC68HC11A8 for product development purposes. The small size of these plug-in emulators is possible because of the development features designed into the M68HC11.

2.9.1 Load Instruction Register ($\overline{\text{LIR}}$)

The $\overline{\text{LIR}}$ signal is intended as a debugging aid. This signal is driven to active low for the first bus cycle of each new instruction, making it easy to reverse assemble (disassemble) instructions from the display of a logic analyzer.

2.9.2 Internal Read Visibility (IRV)

During debugging of an application, it is useful to see what is being read from internal registers and memory locations. The IRV feature provides this capability. Usually this feature should be disabled during normal operation of the system due to the possibility of bus conflicts.

The IRV feature is controlled by the IRV bit in the HPRIO register. When the IRV bit is 1, the data from a read of an internal register or memory location is driven out on the data bus so it can be monitored by a logic analyzer. If the IRV bit is 0, the IRV function is disabled, and the data bus is undriven during reads of an internal address. Special restrictions apply to the use of the IRV bit and function. When the MCU is reset in normal modes, the IRV bit is initially 0. In all but the newest derivatives in the M68HC11 Family, the IRV bit may not be written to 1 in the normal modes. In special test and bootstrap modes, the IRV bit is initially 1 and may be written to 0 after which it becomes a read-only bit.

Be careful when the IRV function is enabled. During reads of an internal address, the data bus is driven out even though the $\overline{R/W}$ line indicates that the bus direction is toward the MCU. Some external device may also be trying to drive the data lines, which leads to an undesirable bus contention. In a test or debugging situation, special address decode logic can be used to prevent such contention. It would be expensive and inappropriate to have this additional decode logic on all normal mode systems; thus, the IRV function was only provided in the special test and bootstrap modes. Due to several customer requests for the IRV function in normal modes, the logic was changed to allow the function to be enabled in normal modes on new versions of the M68HC11. The default condition in normal modes is still IRV equals 0, which disables the function. If a user specifically wants the IRV function, IRV may be written to 1, and the user becomes responsible for avoiding bus contentions. IRV can be written to 1 at any time unless it has previously been written to 0. If the IRV bit is written to 0, the function becomes disabled until the next reset sequence.

2.9.3 MC68HC24 Port Replacement Unit (PRU)

The MC68HC24 PRU is a gate array that emulates the single-chip mode functions of ports B and C, which are lost to the expansion bus function when the MCU is operated in expanded modes. The expanded mode permits program development in an external EPROM. A system consisting of an M68HC11 in expanded mode, an MC68HC24, an HC373 octal latch, and an external EPROM performs like the MC68HC11A8 operating in single-chip modes, thus allowing an application program to be developed and tested before a masked ROM pattern is ordered.

The logic in the M68HC11 was specifically designed to permit emulation of single-chip functions with the MC68HC24. First, the addresses associated with ports B and C and their handshake I/O functions are treated as external addresses when the MCU is operating in expanded modes. Next, the interrupts associated with the handshake I/O system are vectored to the same address as \overline{IRQ} interrupts. Thus, the interrupt output of the MC68HC24 can be connected to the \overline{IRQ} interrupt input of the MCU, and handshake interrupts will be treated the same as internal

handshake functions. The M68HC11 allows registers and/or internal RAM to be remapped to any 4-Kbyte boundary. The MC68HC24 copies this logic so that the registers in the MC68HC24 will automatically track the internal remapping logic. Software written on an expanded system, including an MC68HC24, will operate exactly as it would in the internal ROM of an MC68HC11A8 in single-chip mode.

Section 3. Configuration and Modes of Operation

3.1 Contents

3.2	Introduction	86
3.3	Hardware Mode Selection	86
3.3.1	Hardware Mode Select Pins	87
3.3.2	Mode Control Bits in the HPRIO Register	88
3.4	EEPROM-Based Configuration (CONFIG) Register	89
3.4.1	Operation of CONFIG Mechanism	90
3.4.2	CONFIG Register	91
3.5	Protected Control Register Bits	94
3.5.1	RAM and I/O Mapping Register (INIT)	95
3.5.2	Protected Control Bits in the TMSK2 Register	98
3.5.3	Protected Control Bits in the OPTION Register	99
3.6	Normal MCU Operating Modes	101
3.6.1	Normal Single-Chip Mode	101
3.6.2	Normal Expanded Mode	101
3.7	Special MCU Operating Modes	102
3.7.1	Testing Functions Control Register (TEST1)	104
3.7.2	Test-Related Control Bits in the BAUD Register	107
3.7.3	Special Test Mode	108
3.7.4	Special Bootstrap Mode	109
3.7.4.1	Loading Programs in Bootstrap Mode	110
3.7.4.2	Executing User Programs in Bootstrap Mode	111
3.7.4.3	Using Interrupts in Bootstrap Mode	112
3.7.4.4	Bootloader Firmware Options	113
3.8	Test and Bootstrap Mode Applications	114
3.9	Example 3-1: Programming CONFIG (Uses Special Test Mode)	115

3.2 Introduction

This section discusses the mechanisms that allow the MC68HC11A8 to conform to a wide variety of applications. These mechanisms include hardware mode selection circuitry, a nonvolatile electrically erasable programmable ROM (EEPROM)-based configuration register, and protected control register bits. The majority of the control bits in the MC68HC11A8 are accessible at any time by software and are discussed throughout this manual.

The term mode is used in more than one context in discussing the microcontroller unit (MCU). For example, the serial peripheral interface (SPI) is said to be in either the master or slave mode, the parallel input/output (I/O) system is said to be in simple strobed mode, full-input handshake mode, or full-output handshake mode. In most cases, there is no confusion about what the term mode refers to; however, the use of the term mode in conjunction with stop and wait is often misunderstood. Stop and wait are actually modes of operation of the central processor unit (CPU) as opposed to single-chip and expanded modes, which are modes of operation of the MCU integrated circuit. In this section, the MCU operating modes and other mechanisms controlling the basic configuration of the MCU are discussed.

Very few MCU functions are influenced by the mode of operation. For example, the timers, analog-to-digital converter (A/D), and serial I/O functions all work the same in expanded modes as they do in single-chip modes. The parallel I/O functions of 18 pins are lost in the expanded modes but can be regained with a special, external, port-replacement chip called the MC68HC24. In the two special modes of MCU operation, some special testing functions become accessible, including the ability for software to change the MCU mode.

3.3 Hardware Mode Selection

There are only two fundamental modes of operation for the MC68HC11A8 MCU:

- Single-chip mode
- Expanded mode

Each mode has a normal variation and a special variation. These four mode variations are selected by the levels on the mode A (MODA) and mode B (MODB) pins during reset. The special variation of single-chip mode is called special bootstrap mode; the special variation of the expanded mode is called special test mode. The special bootstrap mode allows programs to be downloaded through the on-chip serial communications interface (SCI) into internal random-access memory (RAM) to be executed. The bootloaded program is used for a variety of tasks such as loading calibration values into internal EEPROM or performing diagnostics on a finished module. The bootstrap mode is a special user's mode, not a factory test mode. The special test mode, which is intended primarily for factory testing, is seldom chosen by the user except for emulation, development, or in other rare circumstances.

3.3.1 Hardware Mode Select Pins

The hardware mode select mechanism starts with the logic levels on the MODA and MODB pins while the MCU is in the reset state. The logic levels on the MODA and MODB pins are fed into the MCU by way of a clocked pipeline path. The levels captured are those that were present part of a clock cycle before the $\overline{\text{RESET}}$ pin rose, which assures there will be a zero hold-time requirement on the mode select pins relative to the rising edge at the $\overline{\text{RESET}}$ pin. The captured levels determine the logic state of the special mode (SMOD) and mode A select (MDA) control bits in the highest priority interrupt (HPRIO) register. These two control bits actually control the logic circuits involved in hardware mode selection. [Table 3-1](#) summarizes the operation of the mode pins and mode control bits.

Table 3-1. Hardware Mode Select Summary

Inputs		Mode Description	Control Bits in HPRIO (Latched at Reset)			
MODB	MODA		RBOOT	SMOD	MDA	IRV
1	0	Normal single chip	0	0	0	0
1	1	Normal expanded	0	0	1	0
0	0	Special bootstrap	1	1	0	1
0	1	Special test	0	1	1	1

After $\overline{\text{RESET}}$ rises, the mode select pins no longer influence the MCU operating mode. The MODA pin serves the alternate function of load instruction register ($\overline{\text{LIR}}$) when the MCU is not in reset. The open-drain active-low $\overline{\text{LIR}}$ output pin drives low during the first E-clock cycle of each instruction. The MODB pin serves the alternate function of a standby power supply (V_{STBY}) to maintain RAM contents when V_{DD} is not present. The power-saving mode, stop, is an alternate way to save RAM contents, which does not require a separate standby power source.

3.3.2 Mode Control Bits in the HPRIO Register

Figure 3-1 and the following paragraphs describe the highest priority I-bit interrupt and miscellaneous (HPRIO) register. The four low-order bits (PSEL3–PSEL0) are not related to the mode select logic and will be discussed in **Section 5. Resets and Interrupts**. The HPRIO register may be read at any time, but the four high-order bits may be written only under special circumstances. Usually, control bits for unrelated on-chip systems would not be mixed in the same register.

Address: \$103C

	Bit 7	6	5	4	3	2	1	Bit 0
Read:	RBOOT	SMOD	MDA	IRV	PSEL3	PSEL2	PSEL1	PSEL0
Write:								
Reset:		Refer to Table 3-1 .			0	1	0	1

Figure 3-1. Highest Priority I-Bit Interrupt and Miscellaneous Register (HPRIO)

RBOOT — Read Bootstrap ROM Bit

Can be written only while SMOD equals 1

1 = Bootstrap ROM enabled at \$BF40–\$BFFF

0 = Bootstrap ROM disabled and not present in memory map

The RBOOT control bit enables or disables the special bootstrap control ROM. This 192-byte, mask-programmed ROM contains the firmware required to load a user's program through the SCI into the internal RAM and jump to the loaded program. In all modes other than the special bootstrap mode, this ROM is disabled and does not

occupy any space in the 64-Kbyte memory map. Although it is 0 when the MCU comes out of reset in test mode, the RBOOT bit may be written to 1 while in special test mode.

SMOD — Special Mode Bit

May be written to 0 but not back to 1
1 = Special mode variation in effect
0 = Normal mode variation in effect

MDA — Mode A Select Bit

Can be written only while SMOD equals 1
1 = Normal expanded or special test mode in effect
0 = Normal single-chip or special bootstrap mode in effect

IRV — Internal Read Visibility Bit

Can be written only while SMOD equals 1; forced to 0 if SMOD equals 0
1 = Data driven onto external bus during internal reads
0 = Data from internal reads not visible on expansion bus (levels on bus ignored)

The IRV control bit is used during factory testing and sometimes during emulation to allow internal read accesses to be visible on the external data bus. Care is required to avoid data bus contention while IRV is active because the bidirectional data bus is driven out during reads of internal addresses, even though the $\overline{R/\overline{W}}$ line suggests the data bus is in the high-impedance read mode. In normal modes, this function is disabled; thus, complex decode logic is not required to protect against accidental bus conflicts.

3.4 EEPROM-Based Configuration (CONFIG) Register

The nonvolatile configuration (CONFIG) register allows additional flexibility in the MCU that would otherwise be provided by a more complex hardware mode select structure. By using EEPROM to implement the CONFIG register, these system controls are retained even when no power is applied to the MCU. The functions controlled by this register are characteristics that must be inherently known to the

MCU system as it comes out of the reset state. Ordinary software-accessible control bits would not effectively regulate these controls.

3.4.1 Operation of CONFIG Mechanism

The CONFIG register actually consists of an EEPROM byte (separate from the 512-byte EEPROM array), a static register that holds the configuration information during operation, and the associated logic, which controls the transfer of information from the EEPROM byte to the working static register. Programming and erasure of this register use the same logic used for programming and erasure of the 512-byte EEPROM array. Reads of this register return the contents of the static working register, not the EEPROM byte. During any reset, the contents of the EEPROM byte are transferred to the working static register over the data bus. Due to this mechanism, changes to the EEPROM CONFIG location are not visible and do not alter the operation of the MCU until after a subsequent reset.

Some versions of the M68HC11 Family allow the CONFIG working register to be written directly as a normal control register while operating in the special mode variations. This capability is included primarily to accelerate product testing but could be useful to the user in some applications. In versions that have this ability, the MCU could be reset in one of the special modes. The CONFIG register could be checked or written to any desired value; then the mode could be written to a normal mode to re-enable system-protection mechanisms. This procedure is independent of the EEPROM byte and the transfer during reset. Only some versions of the M68HC11 offer this capability. Risk factors are associated with operating in a special mode; therefore, keep the time between reset and writing the mode control bits back to a normal mode as short as possible to minimize these risks.

3.4.2 CONFIG Register

The system configuration register (CONFIG) is an unusual control register used to enable or disable ROM, EEPROM, the computer operating properly (COP) watchdog system, and, optionally, the EEPROM security feature of the MCU. Unlike ordinary control registers, CONFIG retains its contents even when there is no power applied to the MCU. The contents are retained when the MCU is completely removed from a system (for instance, when shipped from the Motorola factory). In this way, the control bits in the CONFIG register are like mask-programmed options. Unlike mask options, the contents of this register can be altered after the MCU is manufactured to meet the customer's specific requirements.

The CONFIG register is read like any other memory location. The contents of the working static register are returned on such reads as previously described. The CONFIG register is erased and programmed like an EEPROM location rather than being written as other registers. The programming and erase operations alter the EEPROM byte, which does not alter the operation of the MCU until after a subsequent reset operation. The programming and erase procedures, which are the same as those used to program EEPROM locations, use the PPROG register and are discussed in [4.5 Electrically Erasable Programmable ROM \(EEPROM\)](#).

Figure 3-2 and the following paragraphs describe the CONFIG register and control bits of the MC68HC11A8. For specific information about the CONFIG register of other M68HC11 Family members, refer to the technical summary for that member.

Address: \$103F

	Bit 7	6	5	4	3	2	1	Bit 0
Read:	0	0	0	0	NOSEC	NOCOP	ROMON	EEON
Write:	0	0	0	0	NOSEC	NOCOP	ROMON	EEON
Reset:	0	0	0	0	See 3.4.1 Operation of CONFIG Mechanism .			

Figure 3-2. System Configuration Register (CONFIG)

NOSEC — EEPROM Security Disabled Bit

A special security feature is available on the MC68HC11A8 if it is requested at the time a user submits a mask ROM pattern. Once this feature is enabled at the mask-programming level, the user activates it by programming the NOSEC bit to 0. While NOSEC is 0, the MCU can only be reset in single-chip modes (normal single chip or special bootstrap). This restriction is accomplished by forcing the MDA control bit to 0 rather than allowing it to follow the MODA pin level at the rising edge of $\overline{\text{RESET}}$. By disallowing expanded modes, a software pirate is prevented from seeing the data in EEPROM or RAM because there is no external address/data bus in single-chip modes. The software pirate can see what is in the on-chip ROM by disabling the security option, which can only be accomplished after the contents of EEPROM and RAM have been erased. When a secured part is reset in bootstrap mode, the firmware in the small bootloader program will not proceed with bootloading until the EEPROM, RAM, and CONFIG register have been successfully erased. When a secured part is operated in normal single-chip mode, the user's program in ROM is responsible for keeping the MCU secured. The CONFIG register in current versions of the MC68HC11A8 cannot be altered except in special bootstrap and special test modes.

NOCOP — COP Watchdog System Disabled Bit

The default erased state of this bit corresponds to COP system off.

1 = The COP system is disabled and does not generate system resets.

0 = The COP system is enabled as the MCU comes out of reset.

A software service mechanism must be periodically completed prior to COP timeout to avoid a system reset. This service will occur only at the proper repeating rate if the software is executing in the expected, orderly fashion. If a software failure occurs, the watchdog will time out and will generate a system reset to force the MCU to return to proper operation. The COP watchdog mechanism is discussed in detail in [Section 5. Resets and Interrupts](#).

ROMON — Enable On-Chip ROM Bit

The default erased state of this bit corresponds to ROM enabled.

1 = The 8-Kbyte on-chip program memory is enabled.

0 = The 8-Kbyte ROM is disabled and takes no space in the memory map.

In the normal single-chip operating mode, this control bit is overridden so that ROM is always enabled. In expanded modes, turning off the ROM with this bit allows the reset and interrupt vectors to be fetched from external memories; therefore, the user need not know where vectors should point at the time the MCU is manufactured.

EEON — Enable On-Chip EEPROM Bit

The default erased state of this bit corresponds to EEPROM enabled.

1 = The 512-byte on-chip EEPROM memory is enabled at locations \$B600–\$B7FF.

0 = The 512-byte EEPROM is disabled and takes no space in the memory map.

Some versions of the M68HC11 Family have additional control bits in this register. For example, the MC68HC811E2 uses the upper four bits to remap its 2-Kbyte EEPROM to the upper half of any 4-Kbyte page of memory. This reference manual is based primarily on the MC68HC11A8; specific information about other family members can be found in the technical summaries.

The erased state of CONFIG is \$0F on an MC68HC11A8. The MC68HC11A1 is the same die as the MC68HC11A8 but comes from the factory with \$0D in CONFIG to disable the internal 8-Kbyte masked ROM. Similarly, the MC68HC11A0 version of the part comes with \$0C in CONFIG to disable both the 8-Kbyte ROM and 512-byte EEPROM. The CONFIG byte is not part of the 512-byte EEPROM. If the CONFIG register of an MC68HC11A1 or MC68HC11A0 device is erased to \$0F, the internal ROM and EEPROM memories become enabled but are not necessarily useful. The ROM of an MC68HC11A1 or MC68HC11A0 part may contain a customer's program (with their permission) or a defective program. The EEPROM of an MC68HC11A0 part could be partially/completely broken and should not be used because the error could be related to temperature or voltage. Therefore, the EEPROM

might check as flawless but later fail when least expected. The upper four bits are not implemented in the working static register and always read 0. Although the corresponding bits in the EEPROM byte are implemented, they are not visible to the user.

The erased state of the CONFIG register in the MC68HC811E2 version is \$FF, which means the 2-Kbyte EEPROM is enabled in the area from \$F800–\$FFFF when the part comes from the Motorola factory. To use the part, the user must have a meaningful reset vector at \$FFFE,FFFF or must connect the mode pins so the system will come out of reset in one of the special modes. The reset vector can be programmed into the internal EEPROM before installing the part into a finished system, or the EEPROM can be moved out of the way (by programming the CONFIG register) so an external memory in the end system can provide the reset vector.

3.5 Protected Control Register Bits

In the MC68HC11A8, several sensitive control registers and bits are protected against writes except under special circumstances. The protect mechanisms include the ability to write these bits only within the first 64 bus cycles after any reset and/or the ability to write them only one time after each reset. These bits control the basic configuration of the MCU where an accidental write could cause serious system problems — that is, these protections make it practical to include software-controlled features that might otherwise be excluded. As new members of the M68HC11 Family are developed, additional control bits could fall into this category, but in the MC68HC11A8, only three control registers are involved (INIT, TMSK2, and OPTION). Some users have expressed concern about being able to write all of these control bits within 64 cycles, which will not be a problem since only three writes are required.

Because these protect mechanisms are overridden in the special operating modes, these bits may be changed repeatedly during testing without going through a reset sequence. If the MCU is going to be changed to a normal mode variation after being reset in a special mode, write to the protected registers before writing the SMOD control bit to 0.

3.5.1 RAM and I/O Mapping Register (INIT)

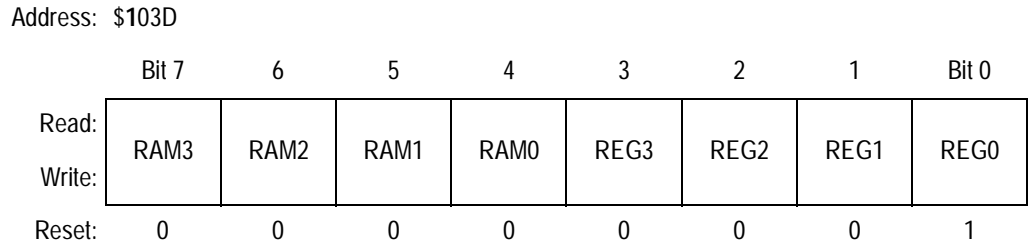


Figure 3-3. RAM and I/O Mapping Register (INIT)

RAM3–RAM0 — RAM Map Position Bits

These four bits, which specify the upper hexadecimal digit of the RAM address, control the position of the RAM in the memory map. By changing these bits, the RAM can be repositioned to the beginning of any 4-Kbyte page in the memory map. After reset, these bits are 0s (\$0); thus, the RAM is initially positioned from \$0000–\$00FF. If these four bits are written to 1s (\$F), the RAM moves to \$F000–\$F0FF. The following explanation of the INIT register discusses what happens when RAM or registers are mapped to the same area of memory as some other internal resource.

REG3–REG0 — 64-Byte Register Block Position Bits

These four bits, which specify the upper hexadecimal digit of the address for the 64-byte block of internal registers, control the position of these registers in the memory map. By changing these bits, the register block is repositioned to the beginning of any 4-Kbyte page in the memory map. After reset, these bits are 0001 (\$1); therefore, the registers are initially positioned from \$1000–\$103F. If these four bits are written to 1s (\$F), the registers move to \$F000–\$F03F.

The following explanation discusses what happens when RAM or registers are mapped to the same area of memory as some other internal resource.

The INIT register allows software to reposition the internal 256-byte RAM and/or 64-byte register space to any 4-Kbyte page boundary in the 64-Kbyte memory map. There are two main reasons a user might want this capability. First, this capability allows the user to position RAM, I/O registers, or both in the direct addressing mode range (\$0000–\$00FF). Instructions that use the direct addressing mode assume the upper eight bits of the address are \$00; thus, these instructions take up less program memory space and operate faster than the equivalent extended addressing mode instructions. The second reason for remapping RAM or registers would be to make the MCU compatible with the memory map of an existing system. For example, the MC6801 MCU is not compatible with the Motorola EXORciser[®]. The MDOS[™] disk-operating system software requires RAM to exist from \$0000–\$7FFF, ROM routines to exist from \$E800–\$EBFF, and system I/O devices to exist from \$EC00–\$F000. Because the MC6801 MCU has internal RAM and registers in \$0000–\$00FF that cannot be disabled or moved, it cannot be made compatible with the EXORciser. However, the MC68HC11A8 can disable its internal ROM with the CONFIG register, and the RAM and registers can be remapped to \$D000 and \$C000, respectively, by writing \$DC to the INIT register. This procedure makes the MC68HC11A8 compatible with the EXORciser system without requiring changes to the existing MDOS software. A variation on this second reason for remapping RAM and registers would be to make maximum use of an external 32-Kbyte RAM in the lower half of the memory map.

Users not needing this capability can leave the RAM and I/O registers in their default locations (\$0000–\$00FF for RAM and \$1000–\$103F for registers). Since the INIT register becomes write protected shortly after reset, the user need not worry about accidental changes due to a software error.

The internal address decode circuitry automatically protects against conflicts among internal resources or between an internal and external resource. When an internal resource is read, the external data bus is ignored (even if some external device tries to drive the data bus) so the

EXORciser is a registered trademark of Motorola, Inc.
MDOS is trademark of Motorola, Inc.

CPU will read valid data. If the internal RAM and/or I/O register spaces are remapped so an overlap occurs between RAM, register space, or ROM, priority logic disables all but the highest priority resource. For example, consider the case of an expanded mode system where ROM is enabled and both RAM and registers have been remapped to \$F000. For accesses from \$F000–\$F03F, ROM and RAM are disabled, and registers have highest access priority. From \$F040–\$F0FF, ROM is disabled, and RAM has access priority.

Some users have questions about the priority of access for unused register locations in the 64-byte register space or the priority of registers in an external MC68HC24. In the previous example, \$F035 would correspond to an unused location in the 64-byte register space (the register block was moved from its usual position of \$1000–\$103F such that it overlaps RAM and ROM at \$F000). Reads of this address access the undriven internal data bus, and any data present on the data bus pins is ignored. Six locations in the 64-byte register space become external accesses when the MC68HC11A8 is operating in an expanded mode. This process allows the MC68HC24 to properly emulate the internal parallel I/O functions associated with the 18 MCU pins, which are dedicated to the multiplexed expansion bus. Again referring to the earlier example, if any of these six addresses are accessed, the internal ROM and RAM are disabled so the CPU gets valid data from the external MC68HC24, which is considered a part of the internal register space. The six locations of interest are \$x002–\$x007 (PIOC, PORTC, PORTB, PORTCL, one reserved location, and DDRC). Although x is usually 1, it was changed to \$F by software in this example.

3.5.2 Protected Control Bits in the TMSK2 Register

Figure 3-4 and the following paragraphs describe the time-protected timer prescale select bits (PR1–PR0) in the timer mask register 2 (TMSK2). The upper four bits of this register, which are related to the timer and pulse accumulator subsystems, will be discussed in **Section 10. Main Timer and Real-Time Interrupt** and **Section 11. Pulse Accumulator**. Bits 3 and 2 are not implemented and always read as 0s.

Address: \$1024

	Bit 7	6	5	4	3	2	1	Bit 0
Read:	TOI	RTII	PAOVI	PAII	0	0	PR1	PR0
Write:								
Reset:	0	0	0	0	0	0	0	0

Figure 3-4. Timer Mask Register 2 (TMSK2)

PR1–PR0 — Timer Prescaler Select Bits

These two bits select the prescale rate for the main 16-bit free-running timer system. The following table shows the relationship between the prescale factor and the value of these control bits. A prescale factor of one corresponds to a timer count rate of E clock \div 1; a prescale factor of 16 corresponds to a timer count rate of E clock \div 16. In normal modes, this prescale rate can be changed only once within the first 64 bus cycles after reset, and the resulting count rate stays in effect until the next reset.

PR1	PR0	Prescale Factor
0	0	1
0	1	4
1	0	8
1	1	16

3.5.3 Protected Control Bits in the OPTION Register

Figure 3-5 and the following paragraphs discuss the time-protected control bits on the option (OPTION) control register. Bit 2 of this register is not implemented and always reads 0. ADPU, CSEL, and CME are not time-protected bits.

Address: \$1039

	Bit 7	6	5	4	3	2	1	Bit 0
Read:	ADPU	CSEL	IRQE	DLY	CME	0	CR1	CR0
Write:								
Reset:	0	0	0	1	0	0	0	0

Figure 3-5. System Configuration Option Register (OPTION)

IRQE — Configure $\overline{\text{IRQ}}$ for Edge-Sensitive-Only Operation Bit

The default configuration is IRQE equals 0 or level-sensitive IRQs.

1 = $\overline{\text{IRQ}}$ is configured for edge-sensitive-only operation. Falling edges at the $\overline{\text{IRQ}}$ pin are latched until the IRQ is honored.

0 = $\overline{\text{IRQ}}$ is configured for level-sensitive operation. IRQ interrupts are requested by a low level on the $\overline{\text{IRQ}}$ pin. The low level must remain until the interrupt service routine does something to acknowledge the source of the interrupt. Level-sensitive operation allows more than one source to be connected to the $\overline{\text{IRQ}}$ pin in a wired-OR configuration.

DLY — Enable Oscillator Startup Delay Bit

1 = A delay of approximately 4,000 E-clock cycles is imposed as the MCU is started from the stop power-saving mode. This delay is intended to allow the crystal oscillator to stabilize. The actual time required for a crystal oscillator to stabilize depends on external components and physical layout. As far as the MCU is concerned, it is not necessary for the oscillator to be stable at its operating frequency because the MC68HC11A8 is a fully static processor that can operate at frequencies down to

dc. This delay is provided for the convenience of those applications requiring proper timing measurements soon after restart, thus requiring a stable oscillator.

0 = The relatively long oscillator startup delay coming out of stop is bypassed, and the MCU resumes processing within about four bus cycles.

CR1–CR0 — COP Timer Rate Select Bits

The MCU internal E clock is first divided by 2^{15} before it enters the COP watchdog system. The CR1 and CR0 control bits control a further scaling factor for the watchdog timer as shown in [Table 3-2](#). The columns at the right of the table show the resulting watchdog timeout periods for three typical oscillator frequencies. After reset, the timeout period is configured for the shortest timeout period by default. In normal operating modes, these bits can be written only once, and that write must be within 64 bus cycles after reset. The COP system is discussed in detail in [Section 5. Resets and Interrupts](#).

Table 3-2. Watchdog Rates versus Crystal Frequency

CR1	CR0	E ÷ 2 ¹⁵ Divided by	Crystal Frequency		
			2 ²³ Hz	8 MHz	4 MHz
			Nominal Timeout		
0	0	1	15.625 ms	16.384 ms	32.768 ms
0	1	4	62.5 ms	65.536 ms	131.07 ms
1	0	16	250 ms	262.14 ms	524.29 ms
1	1	64	1 s	1.049 s	2.1 s
			2.1 MHz	2 MHz	1 MHz
Bus frequency (E clock)					

3.6 Normal MCU Operating Modes

The normal modes of operation are selected by having a logic 1 on the MODB pin during reset. The reset vector is fetched from addresses \$FFFE,FFFF, and program execution begins from the address indicated by this vector. In normal single-chip mode, the internal 8-Kbyte program memory is enabled in this memory space so the reset vector is fetched from this internal ROM. In normal expanded mode, the internal 8-Kbyte ROM may or may not be enabled, depending on the ROMON bit in the CONFIG register. If the internal ROM is on, the reset vector is fetched from within this ROM; otherwise, it is fetched from external memory addresses \$FFFE,FFFF.

3.6.1 Normal Single-Chip Mode

The normal single-chip mode is selected by a logic 1 on the MODB pin and a logic 0 on the MODA pin during reset. Because the single-chip modes do not require any external address and data bus functions, port B, port C, strobe A (STRA), and strobe B (STRB) pins are available for general-purpose parallel I/O. In this mode, all software needed to control the MCU is contained in internal memories.

The ROMON control bit in the EEPROM-based CONFIG register is overridden in normal single-chip mode to force the internal 8-Kbyte ROM on. This procedure is required because there must be a valid reset vector for the MCU to operate in a logical manner.

3.6.2 Normal Expanded Mode

The normal expanded mode is selected by having a logic 1 on both the MODB pin and MODA pin during reset. This mode of operation allows external memory and peripheral devices to be accessed by a time-multiplexed address/data bus. By multiplexing the low-order eight bits of address with data on the port C pins, only 18 pins are needed to provide an 8-bit data bus, a 16-bit address bus, and two bus control lines. The low-order address lines are separated from data with an external transparent latch such as a 74HC373, which is clocked by the address strobe (AS) signal. All bus cycles, whether internal or external,

execute at the E-clock frequency (no throughput penalty for external devices). The maximum bus frequency for the MC68HC11A8 is 2.1 MHz, which is comparable to the fastest external EPROMs available at the time the M68HC11 was introduced. [Section 2. Pins and Connections](#) gives more detailed information on the use of the expansion bus, including a discussion of an expanded-system example.

For emulation purposes, there is a special companion chip called the MC68HC24 port replacement unit (PRU). This device reconstructs the parallel I/O functions that are lost to the 18 expansion bus lines. Software developed on an expanded system, which includes an MC68HC24, can later be submitted as a masked ROM pattern. The resulting custom-ROM part can then be operated in the single-chip mode, and all parallel I/O functions will work as they did in the expanded system. Usually, the MC68HC24 companion chip would not be used as a general-purpose, peripheral I/O chip because cheaper ways exist to add general-purpose I/O to an expanded system.

3.7 Special MCU Operating Modes

The special mode variations are selected by having a logic 0 on the MODB pin during reset. In the special mode variations, the reset and interrupt vectors are located at \$BFC0–\$BFFF, and software has access to special test features. One of these special test features (the disable resets (DISR) control bit in the TEST1 control register) temporarily disables the COP watchdog and clock monitor reset functions. All the special functions and privileges are available in the special test mode and special bootstrap mode.

Since the reset vectors are located at \$BFFE,BFFF, the internal 8-Kbyte ROM cannot interfere with the vectors. The expanded special test mode ensures that the reset vector is fetched from external memory even if the internal 8-Kbyte ROM is enabled. In special bootstrap mode, an on-chip bootloader firmware ROM is enabled at addresses \$BF40–\$BFFF so the reset vector is fetched from this internal ROM.

The SMOD control bit is latched as logic 1 when the MCU is reset in the special modes. While SMOD is a 1, special test functions and privileges are available. RBOOT and MDA can be turned on or off, and SMOD and IRV can be turned off but not back on. Thus, the operating mode of the MCU can be changed, but once the mode is changed to a normal mode (SMOD = 0), the privileges are revoked. An important, often overlooked, application of this privilege is the ability to reset the MCU in bootstrap mode, which is a single-chip mode, then change the MDA bit to 1 to enable the multiplexed expansion bus.

On present mask sets of the MC68HC11A8 (B96D and newer), the SMOD bit must be set to 1 to allow programming of the EEPROM-based CONFIG register. In some M68HC11 Family members, the EEPROM-based CONFIG register can be written in special modes as if it were an ordinary static register. This privilege is not available in the original MC68HC11A8 but is present in the MC68HC811A2.

Another group of control bits in the MCU have special protection mechanisms to prevent accidental writes while operating in normal modes. These protections include write permission only within the first 64 E-clock cycles after reset and/or the ability to write these bits only one time. While in either special mode, these protections are overridden, and these control bits may be written as if they were ordinary control bits. For a detailed description of these protection mechanisms, see [3.5 Protected Control Register Bits](#).

A special register (TEST1) becomes accessible in the special modes. This register reverts to all 0s and cannot be written when SMOD is 0 (normal modes). Other than the DISR control bit in this register, the user should not be interested in the operation of these bits since they are only useful for factory testing of the MCU. Two other control bits in the SCI baud-rate control register are similarly enabled only in the special modes.

3.7.1 Testing Functions Control Register (TEST1)

Figure 3-6 and the following paragraphs discuss the testing functions control register (TEST1). Testing functions are not recommended for use by the user since they may change at any time to meet the manufacturing requirements of Motorola; however, brief descriptions of these testing functions are presented here. Occasionally, knowledge of these functions will help a user understand what is happening if one of these functions is accidentally invoked during development of an application.

Address: \$103E

	Bit 7	6	5	4	3	2	1	Bit 0
Read:	TILOP	0	OCCR	CBYP	DISR	FCM	FCOP	TCON
Write:								
Reset:	0	0	0	0	0 ⁽¹⁾	0	0	0

1. The DISR control bit resets to 1 in special modes.

Figure 3-6. Testing Functions Control Register (TEST1)

TILOP — Test Illegal Opcode Bit

Can be written only while SMOD equals 1

1 = Enable illegal opcode testing function

0 = Function disabled

In factory test equipment, information presented to the data bus pins is independent of the address coming from the MCU. In normal systems, the address outputs from the MCU enable a specific location in a memory device so the data presented to the MCU is specifically related to the address. The TILOP works in conjunction with the $\overline{\text{LIR}}$ pin to allow testing of illegal opcodes on consecutive bus cycles rather than requiring the time-consuming interrupt service normally associated with illegal opcodes. One consequence of the implementation of this function is that the address bus begins to decrement after the first illegal opcode is detected at the data bus. Since there is no cause-effect relationship between address and data on the factory test equipment, this unusual address bus activity poses

no difficulty for factory testing of illegal opcodes. However, this unusual address bus activity makes the illegal opcode test function unusable in a normal system.

OCCR — Output Condition Code Register Status to Timer Port

Can be written only while SMOD equals 1

1 = The condition code register bits (H, N, Z, V, and C) are driven out of the five most significant bits of port A (bits 7–3, respectively), which allows the CPU operation to be verified without the burden of complex branching routines.

0 = Function disabled; port A operates as in normal modes.

NOTE: *While OCCR is set to 1, the internal 8-Kbyte ROM is disabled, regardless of the states of the ROMON bit in the CONFIG register or the TCON bit in the TEST1 register.*

CBYP — Timer Divider Chain Bypass Bit

Can be written only while SMOD equals 1

1 = The 16-bit free-running timer is divided into 8-bit halves, and the prescaler is bypassed. The E clock directly drives both halves of the timer. This function greatly reduces testing time for the main timer system.

0 = Timer system operates normally.

DISR — Disable Resets from COP and Clock Monitor Bit

Can be written only while SMOD equals 1; forced to 0 if SMOD equals 0

1 = Regardless of other control bit states, the COP and clock monitor systems do not generate a system reset. This function ensures that testing operations are not interrupted by the COP or clock monitor protection mechanisms.

0 = COP and clock monitor resets operate normally.

NOTE: *Users of the special bootstrap mode often forget that this bit is reset to a 1 in the bootstrap mode. If a bootloaded program uses one of these reset functions, this bit must be explicitly cleared by the loaded program. This is probably the only test-related control bit that is of interest to the user.*

FCM — Force Clock Monitor Failure Bit

Can be written only while SMOD equals 1

1 = Writing a logic 1 to this location generates an immediate clock monitor failure reset if the clock monitor enable (CME) bit in the OPTION register is also set.

0 = System operates normally.

The DISR control bit has priority over this bit and inhibits the forced reset functions.

FCOP — Force COP Watchdog Timeout Bit

Can be written only while SMOD equals 1

1 = Writing a logic 1 to this location generates an immediate COP failure reset if either the NOCOP bit in the CONFIG register is 0 or the TCON bit in the TEST1 register is 1.

0 = System operates normally.

The DISR control bit has priority over this bit and inhibits the forced reset functions.

TCON — Test Configuration Bit

Can be written only while SMOD equals 1

1 = Overrides the specifications in the CONFIG register so that COP is enabled and ROM and EEPROM are in the memory map. If the OCCR bit is set to 1, ROM is removed from the memory map, regardless of other control bits.

0 = Configuration options are controlled by the CONFIG register.

3.7.2 Test-Related Control Bits in the BAUD Register

Figure 3-7 and the following paragraphs describe the two test-related control bits in the SCI baud-rate (BAUD) control register. These bits, which are only accessible in the special modes, revert to 0s if the mode is changed to a normal mode. Because no read path is implemented for these two bits, they always read 0, even after they are written to 1 in a special mode.

Address: \$102B

	Bit 7	6	5	4	3	2	1	Bit 0
Read:	TCLR	0	SCP1	SCP0	RCKB	SCR2	SCR1	SCR0
Write:								
Reset:	0	0	0	0	0	0	0	0

Figure 3-7. Testing Functions Control Register (BAUD)

TCLR — Clear Baud-Rate Timing Chain Bit

Can be written only while SMOD equals 1. Writing a 1 to this bit triggers a reset of the baud-rate counter chain. This bit always reads 0.

RCKB — SCI Baud-Rate Clock Test Bit

Can be written only while SMOD equals 1. Writing a 1 to this bit enables a baud-rate clock test using the PD1 pin. When this baud-rate test function is enabled, the exclusive OR of the SCI receive clock (16 times the baud rate) and the SCI transmit clock (1 times the baud rate) is driven out the PD1 pin so it can be monitored by factory test equipment. This bit always reads 0.

The other bits in this register are related to the asynchronous SCI and are described in [Section 9. Asynchronous Serial Communications Interface](#).

3.7.3 Special Test Mode

The special test mode is primarily intended for Motorola internal production testing; however, in a few cases, the user can utilize the test mode. These special cases include programming the CONFIG register, programming calibration data into the EEPROM, and development situations such as emulation and debug. Since the mode control bits can be written in test mode, it is possible to come out of reset in special test mode, check the contents of the CONFIG register, and then switch to a normal operating mode to re-enable the automatic protection mechanisms. This trick is also useful for a first-time turn-on situation where the contents of the CONFIG register might not be known. Except for these few limited cases, the MC68HC11A8 should not be in test mode in a user's application.

Because the test mode overrides several automatic protection mechanisms or allows them to be overridden, there are risks associated with these modes of operation. For example, by default the COP and clock monitor are disabled in special modes. Also in special modes, the \$00 opcode is a legal opcode, which causes the address bus to become an uninterruptable 16-bit counter (useful for testing but a disaster in a real application). Several of the test functions are included in this category. Such risks must be weighed against whatever benefit is derived from using special test or bootstrap operating mode.

One important use of the test mode is to allow programming of the CONFIG register and/or EEPROM. Since the reset and interrupt vectors are fetched from the user's external memory at the \$BFC0-\$BFFF area, it is not necessary for the user to know if internal ROM is on or off. Even if the COP watchdog is enabled in the CONFIG register, there is no need to service it because COP resets are inhibited in special modes. The program needed to change EEPROM data could be as simple as the program shown in Example 3-1 (see [3.8 Test and Bootstrap Mode Applications](#)), which just reprograms the CONFIG register to a fixed value; or it could be as complex as a complete monitor, similar to the BUFFALO monitor, which would allow interactive examination and modification of EEPROM data.

The test mode is useful in the debug phase of a project. In test mode, the data from reads of internal addresses can be seen on the external data bus. This function is called IRV and is useful for debugging with a logic analyzer or bus state monitor. In normal operating modes, IRV is disabled since it could interfere with external circuitry. For example, if an external 32-Kbyte EPROM were mapped at \$8000–\$FFFF, it would overlap the internal EEPROM from \$B600–\$B7FF. The easiest decode logic would be to select the external EPROM when A15 and $\overline{R/W}$ are both high, which is perfectly legal and reasonable for the MC68HC11A8 operating in normal expanded mode. Although the external EPROM is selected for reads of the internal EEPROM, the read data from the external data bus is ignored, and the CPU receives valid, internal EEPROM data. If the IRV function were allowed in normal mode, this example would result in a direct contention between the read data from the internal EEPROM, which is driven out the data bus for visibility, and the read data from the external EPROM. To overcome this contention, more complex decoding would be required for the external devices. A mass-produced product should not bear the cost of a debug feature; the more complex decoding belongs in the low-volume emulator tool where IRV is used.

3.7.4 Special Bootstrap Mode

When the MCU is reset in the special bootstrap mode, a small on-chip ROM is enabled at address \$BF40–\$BFFF. The reset vector is fetched from this bootstrap ROM, and the MCU proceeds to execute the firmware in this ROM. The program in this ROM initializes the on-chip SCI system, checks for a security option, accepts a 256-byte program through the SCI, and then jumps to the loaded program at address \$0000 in the on-chip RAM. There are almost no limitations on the programs that can be loaded and executed through the bootstrap process.

While the MCU is operating in bootstrap mode, the MDA control bit can be written; thus, it is possible to turn on the multiplexed expansion bus. This possibility makes the bootstrap mode useful in both single-chip and expanded systems. In some systems, it may be necessary to disable the bootstrap ROM by writing a 0 to the RBOOT control bit to allow access

to external devices in \$BF40–\$BFFF. If the bootstrap ROM is disabled, it is necessary for the user to externally provide reset and interrupt vectors at \$BFC0–\$BFFF or switch the SMOD control bit back to 0 so interrupt and reset vectors return to \$FFC0–\$FFFF.

3.7.4.1 Loading Programs in Bootstrap Mode

This subsection describes the bootloader firmware in the standard MC68HC11A8. When the security mode is not specifically requested, it is disabled at the mask level so it will not be invoked accidentally. In these cases, the program steps, which check for security and optionally erase the EEPROM and CONFIG register, are not included in the bootloader program. On some early production units before 1988, however, the security checks were included even on parts having the security mode disabled in the mask. Also, the security feature was enabled in the mask of some parts where the security feature was not specifically requested.

The bootloader ROM program initializes the SCI so that the receiver and transmitter are enabled and the baud rate is $E \text{ clock}/16/16$ (7812 baud if $E = 2 \text{ MHz}$). If the security feature is present and enabled, \$FF is transmitted. The EEPROM is then erased. If the erasure was unsuccessful, \$FF is again transmitted, and erasure is attempted again. After successful erasure of EEPROM, the RAM is written over with \$FF, and the CONFIG register is erased. Only after all of these operations are successful can the bootloading process continue as if the part were never secured.

If the MCU is not secured (or if the previous erase sequence has been completed), a break character is transmitted. For normal use of the bootloader, the user then sends an \$FF character at a baud rate of either $E \text{ clock}/16/16$ (7812 baud if $E = 2 \text{ MHz}$) or $E \text{ clock}/16/13$ (1200 baud if $E = 2 \text{ MHz}$). This initial character is used to establish the baud rate for the rest of the transfer and is not echoed to the transmitter as the remaining characters are.

The user next downloads 256 bytes of program data, which will be put into on-chip RAM beginning at address \$0000. If the program to be loaded is less than 256 bytes, dummy characters must be sent to make

a total of 256 bytes. These 256 characters are echoed out the SCI transmitter for the user to optionally verify that they were received correctly. When the bootloader program receives the 256th byte, a jump is executed to location \$0000, and the loaded program gains control.

Future M68HC11 Family derivatives could have additional features in the bootloader program. One such feature is a variable-length download rather than the fixed-length, 256-byte download on the MC68HC11A8 version. This feature will probably be included on M68HC11 members that have more than 256 bytes of on-chip RAM. The MC68HC11E9 version has 512 bytes of RAM and includes a variable-length download.

3.7.4.2 Executing User Programs in Bootstrap Mode

An often overlooked aspect of the bootstrap mode is that the bootloader firmware in the bootstrap ROM executes after reset but before the user's downloaded program begins. Many users make the mistake of assuming all registers and I/O pins are still in their reset state when their downloaded program starts. Actually, the bootloader firmware has made some significant changes to the reset state of the MCU in the course of its operation. Because the SCI receiver and transmitter have been enabled, the user must disable them if the PD0 or PD1 pins are to be used as general-purpose I/O pins. The port D wired-OR mode (DWOM) control bit in the SPCR has been written to 1 so the port D outputs (especially PD1/TxD) would operate as open-drain outputs during the download. This DWOM bit must be written back to 0 if the user wants any port D pins to act as push-pull outputs.

Because the bootstrap mode is a special mode, test-related functions are enabled. The DISR control bit is a 1, which disables the COP watchdog and clock monitor functions. As long as the SMOD control bit is a 1, all reset and interrupt vectors are located in \$BFC0–\$BFFF rather than \$FFxx. A user's program may have to change some of these control bits.

Special attention should be paid to the circuitry connected to the PD1/TxD pin if the bootstrap mode variation is used. Since the bootloader firmware enables the SCI transmitter, the PD1 pin is forced to operate as an output. To minimize limitations on external circuitry on

the PD1 pin, port D is also configured for wired-OR operation to make it look like an open-collector-type output during downloading. Most users will use the PD1/TxD pin as a serial data output line; therefore, no conflict will occur between the bootstrap use of PD1 and the user's use of this pin. If the application uses the PD1 pin as an input to detect a switch or contact closure, there is still no conflict, although the user could not use the verify feature of the bootloader program if the PD1 pin happened to be driven low during the download.

A downloaded program can jump back to the beginning of the bootstrap ROM, causing a new program segment to be serially downloaded. The downloaded program might also contain a routine to read information into the MCU over the SPI interface or from a parallel I/O port. The loaded program can even turn on the multiplexed expansion bus to gain access to external memory or peripheral devices. Users are limited only by their imagination.

3.7.4.3 Using Interrupts in Bootstrap Mode

The reset and interrupt vectors for the bootstrap mode are located in the bootstrap ROM at \$BFC0–\$BFFF. Although this ROM is mask programmed, it is impossible to know in advance where a user's service routines will be located. To allow users to use their own service-routine addresses, a system of pseudo-vectors is included for bootstrap mode. Specific RAM addresses are coded in the actual vector locations of the bootstrap ROM (see [Table 3-3](#)). These RAM locations are called pseudo-vectors because they can be used like vectors to direct control to interrupt service routines. Each pseudo-vector is allowed three bytes of space, rather than the two bytes for normal vectors, because an explicit jump (JMP) opcode is needed to cause the desired jump to the user's service-routine address. For example, to use the software interrupt (SWI), a jump instruction to the user's SWI service routine would be placed in RAM at addresses \$00F4, \$00F5, and \$00F6. When an SWI request is encountered, the registers are stacked, and the vector in the bootstrap ROM passes control to \$00F4, which, in turn, contains a jump instruction to the user's SWI service routine.

Table 3-3. Bootstrap Mode Pseudo-Vectors

Address	Vector Name	Address	Vector Name
\$00C4–\$00C6	SCI	\$00E5–\$00E7	Timer input capture 2
\$00C7–\$00C9	SPI	\$00E8–\$00EA	Timer input capture 1
\$00CA–\$00CC	Pulse accumulator input edge	\$00EB–\$00ED	Real-time interrupt
\$00CD–\$00CF	Pulse accumulator overflow	\$00EE–\$00FD	$\overline{\text{IRQ}}$
\$00D0–\$00D2	Timer overflow	\$00F1–\$00F3	$\overline{\text{XIRQ}}$
\$00D3–\$00D5	Timer output compare 5	\$00F4–\$00F6	SWI
\$00D6–\$00D8	Timer output compare 4	\$00F7–\$00F9	Illegal opcode
\$00D9–\$00DB	Timer output compare 3	\$00FA–\$00FC	COP fail
\$00DC–\$00DE	Timer output compare 2	\$00FD–\$00FF	Clock monitor fail
\$00DF–\$00E1	Timer output compare 1	\$BF40	Reset (bootloader start)
\$00E2–\$00E4	Timer input capture 3		

3.7.4.4 Bootloader Firmware Options

The designers of the MC68HC11A8 anticipated the need for a practical way to force the MCU to jump directly into EEPROM after a reset, but they wanted to avoid special modes that would make the part more difficult to understand. As a compromise, the bootloader firmware provides for this direct jump to EEPROM. After initializing the SCI and port D, the bootloader looks for the \$FF character that will determine the baud rate for the download. If a break character is received at this point, instead of the \$FF, an immediate jump to the start of EEPROM (\$B600) is executed. Since the bootloader already transmits a break character, the user can tie the RxD and TxD pins together and to a pullup resistor, and then reset the part in special bootstrap mode.

This procedure will cause a direct jump to EEPROM at \$B600. Tying the RxD line low will not accomplish the same result because a high-to-low transition is required to indicate the beginning of a start bit (see [Section 9. Asynchronous Serial Communications Interface](#)).

There is a small delay (a few milliseconds) between the reset and the start of the program in EEPROM due to the time required for the SCI preamble and break characters. The user should not be concerned

about running out of time to access the time-protected control bits because bootstrap mode is a special mode and the protections are overridden until the SMOD control bit is written to 0. Consider the current state of SCI and port D controls as well as the DISR control bit in the TEST1 control register, which disables COP and clock monitor resets. It may be necessary for the program in EEPROM to change these bits. The stack pointer is initialized as one of the first actions in the EEPROM program (good practice in almost all programs). It is advisable to initialize the illegal opcode pseudo-vector to help prevent program runaway in the event of an error in the EEPROM program or a misread opcode.

Another bootloader firmware option allows a direct jump to the start of RAM, but this feature is probably not very useful to the user since it assumes there is already a meaningful program in the internal RAM at the time of reset. This option is invoked by sending a \$55 character to the SCI instead of the \$FF or break characters previously described. This \$55 character can only use the E clock/16/16 (7812 baud for E = 2 MHz) rate since it takes the place of the \$FF character, which could have changed the baud rate. This feature allows for testing the MCU for proper single-chip mode operation when the E-clock frequency is beyond the capability of the multiplexed expansion bus. Test equipment can reset the MCU in special test mode (at a legal expansion bus frequency) and parallel load a program into RAM. The tester can then reset the MCU in bootstrap mode (at a higher clock frequency) and serially send the \$55 character to cause a jump to the start of RAM. This procedure takes significantly less time than using the normal bootloading procedure to serially load 256 characters. Since the program segments are limited in size by the amount of on-chip RAM, the time required to load enough program segments to fully test the MCU would make such testing too expensive for all but a very few applications.

3.8 Test and Bootstrap Mode Applications

Most users are familiar with the uses for normal operating modes, but the special test and special bootstrap modes may be new. In this section, an example is presented to stimulate the user's imagination. After

examining this example, some users will think of ways these special mode variations can help in their applications.

3.9 Example 3-1: Programming CONFIG (Uses Special Test Mode)

This example demonstrates how the special test mode can be used to program the EEPROM-based CONFIG register. Current versions of the M68HC11 Family require the MCU to be in one of two special modes to program the CONFIG register.

There are several reasons why a user might want to change the CONFIG register. For example, suppose the user has an MC68HC811E2 and wants to experiment with it in an expanded system such as an MC68HC11EVB evaluation board. As shipped from Motorola, the MC68HC811E2 part is not compatible with the memory map of the EVB. The EEPROM must be disabled by programming the EEON bit to 0, or the upper four bits of CONFIG must be changed to relocate the EEPROM away from EVB resources. Suppose the user is finished with initial debugging and wants to enable the COP watchdog system by programming the NOCOP bit in CONFIG to 0. Perhaps the CONFIG registers in some of the user's parts have been corrupted during initial experimentation. Some users forget to control reset during power transitions; thus, the CONFIG register could be corrupted due to program runaway when V_{DD} is too low to allow proper operation. When this runaway happens, the part is not defective; it needs to have the CONFIG register returned to the proper value.

The schematic diagram shown in [Figure 3-8](#) is a relatively simple expanded-mode system that can be operated in special test mode. By removing the jumper that pulls MODB low, this board can also be used in normal expanded mode. An interesting feature of this system is that the external EPROM appears in the memory map at \$A000–\$BFFF and again at \$E000–\$FFFF because address line A14 is left out of the address decode. This feature makes reset vectors in the highest locations of the EPROM appear the same to the MCU whether the MCU is reset in special test mode or normal expanded mode with the internal ROM disabled. Several subtle benefits to this feature are evident. First, it means no decode changes are needed to alternate between normal

mode and special test operation of the board. In fact, after a reset in special test mode, software can change to normal expanded mode, and the reset and interrupt vectors are still available in the external EPROM. If the internal 8-Kbyte ROM has a useful program in it (and internal ROM is enabled), the external EPROM can be used for additional program memory. Of course, when the CPU reads an internal ROM address, it sees valid internal ROM data even though the external data bus has data from the external EPROM. As long as the IRV function is not enabled, there is no conflict between the internal 8 Kbytes ROM and the external EPROM.

In Example 3-1, the program shown in [Figure 3-9](#) is programmed into the external 2764-type EPROM. When the board is turned on, this small program reads the 8-part switch that is wired to the port E pins. If the CONFIG register is different, it is reprogrammed to match the switches. Because the EEPROM is subject to wearout (after thousands of write-erase cycles), it should not be erased and reprogrammed unless it is incorrect. Since this program is intended to be very simple, it does not check to see if the change was successful.

This program could be modified to include the ability to check the results. The security feature offers some challenges. For example, if security mode is being enabled, it is not possible to verify the CONFIG value in this setup. A reset is required to get the CONFIG value transferred into the readable working register, and the part can only be reset in single-chip modes after security is enabled. If the secured part is reset while MODB is low, it comes up in special bootstrap mode (MODA pin is ignored due to security). When reset in bootstrap mode, the EEPROM and CONFIG register are automatically erased, which is self-defeating. Presumably, a user has a meaningful program in internal ROM before the security bit is finally enabled, which provides for orderly program execution in normal single-chip mode. The user then verifies that security is enabled by a checking function in that internal software. Another way to check for security is to attempt to reset the part in normal expanded mode. If security is not enabled, the AS/STRA pin acts as an address strobe that clocks at the E-clock frequency even while RESET is still low (part does not have to be out of reset to check for security). If security is not activated, the AS/STRA pin acts as the strobe A high-impedance input.

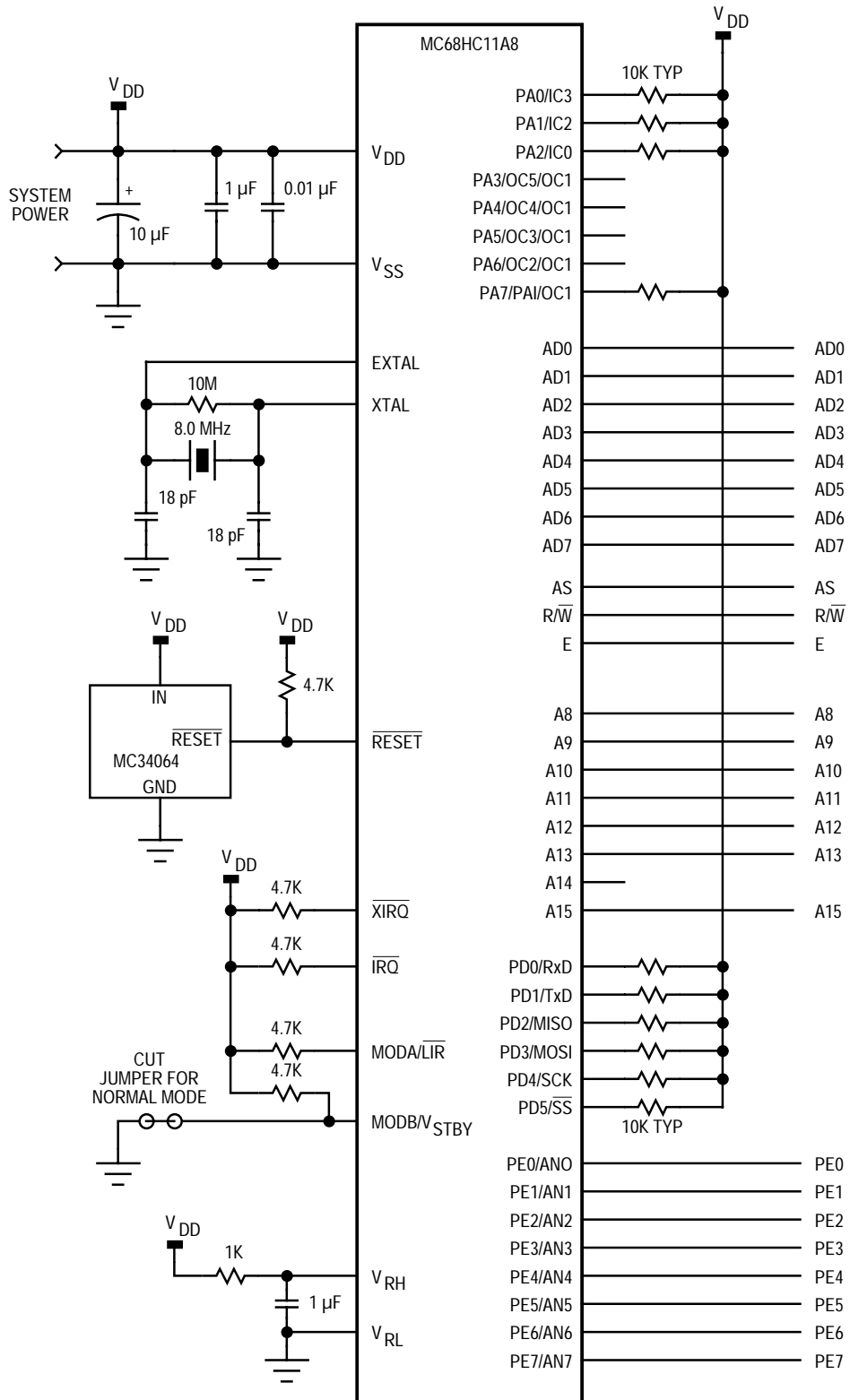


Figure 3-8. Schematic for Figure 3-9 (Sheet 1 of 2)

Configuration and Modes of Operation

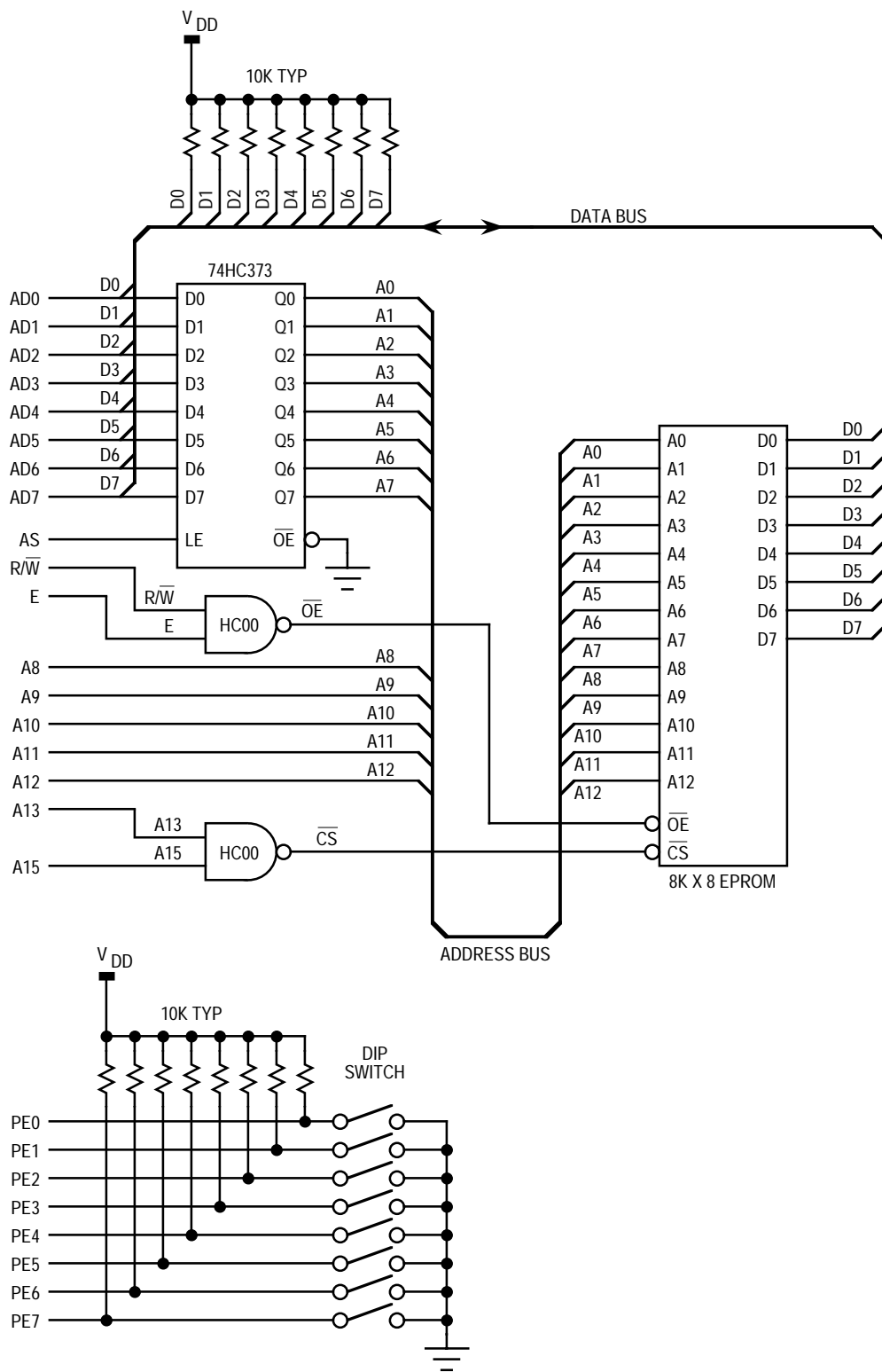


Figure 3-8. Schematic for Figure 3-9 (Sheet 2 of 2)

Configuration and Modes of Operation
 Example 3-1: Programming CONFIG (Uses Special Test Mode)

```

*****
* Example 3-1 ~ 65 bytes total *
*
* This example program uses the hardware setup in figure 3-1 in test *
* mode. After reset the CONFIG register is checked against port E. *
* If it is different, CONFIG is erased and reprogrammed to the port E *
* value. $30 is written to port A and the program ends. *
*****

        ORG    $A000        Start of external EPROM

EX31A  LDS    #$00FF        Establish top of stack
        BSR    DLY10        Allow charge pump to stabilize
        LDAA  $100A        Read port E DIP switches
        ANDA  #$0F          Mask off upper 4 bits (not implimented on 'A8)
        CMPA  $103F        See if CONFIG is same
        BNE   NOWOK        If already OK
* Not OK so first erase CONFIG
        LDAB  #$06          Bulk Erase, and EELAT on
        STAB  $103B        Write to PPROG register
        STAA  $103F        Write to CONFIG address (any data)
        INCB  To $07 - turns on EEPGM bit
        STAB  $103B        Write to PPROG register
        BSR   DLY10        Delay 10 mS for erase to complete
        CLR   $103B        Turn off charge pump (EEPGM to 0)
* Now reprogram CONFIG with data from port E (still in A-reg)
        LDAB  #$02          Turn on EELAT
        STAB  $103B        Write to PPROG register
        STAA  $103F        Write port E data to CONFIG address
        INCB  To $03 - Turns on EEPGM bit
        STAB  $103B        Write to PPROG register
        BSR   DLY10        Delay 10 mS for erase to complete
        CLR   $103B        Turn off charge pump (EEPGM to 0)
* Programming complete but you can't check results till next reset
NOWOK  LDA    #$30
        STAA  $1000        You are done (check with scope)
        BRA   *            Branch to self (hangs till pwr off or rst)
*
* PROGRAM END      subroutines follow
*
***
* DLY10 - Subroutine to delay 10mS (for E=2MHz)
***
DLY10  PSHX
        LDX   #$0D06        3334 * 6~ * 500nS/~ = 10mS
DLOOP  DEX
        BNE  DLOOP        [3] # in [ ]s is cycles for that instruc
        PULX        [3] cont. for 3334 times (loop time = 6~)
        RTS          Recover X value
        ** RETURN **
*
* Establish a reset vector
*
        ORG    $BFFE
RESET  FDB    $A000        Point to start of program

```

Figure 3-9. Program to Check/Change CONFIG

Section 4. On-Chip Memory

4.1 Contents

4.2	Introduction	122
4.3	Read-Only Memory (ROM).	122
4.4	Random-Access Memory (RAM)	124
4.4.1	Remapping Using the INIT Register.	124
4.4.2	RAM Standby	125
4.5	Electrically Erasable Programmable ROM (EEPROM)	127
4.5.1	Logical and Physical Organization	127
4.5.2	Basic Operation of the EEPROM	129
4.5.3	Systems Operating Below 2-MHz Bus Speed (E Clock)	134
4.5.4	EEPROM Programming Register (PPROG)	134
4.5.5	Programming/Erasing Procedures	137
4.5.5.1	Programming	138
4.5.5.2	Bulk Erase	138
4.5.5.3	Row Erase	139
4.5.5.4	Byte Erase	139
4.5.5.5	CONFIG Register.	139
4.5.6	Optional EEPROM Security Mode	140
4.6	EEPROM Application Information.	143
4.6.1	Conditions and Practices to Avoid	144
4.6.2	Using EEPROM to Select Product Options	146
4.6.3	Using EEPROM for Setpoint and Calibration Information	146
4.6.4	Using EEPROM during Product Development	148
4.6.5	Logging Data	148
4.6.6	Self-Adjusting Systems Using EEPROM	149
4.6.7	Software Methods to Extend Life Expectancy	150

4.2 Introduction

The MC68HC11A8 includes on-chip random-access memory (RAM), read-only memory (ROM), and electrically erasable programmable ROM (EEPROM) memories. The on-chip RAM is a fully static read-write memory used for storage of variable and temporary information.

The MC68HC11A8 has 256 bytes of RAM; whereas other members of the M68HC11 Family include more or less RAM (MC68HC11E9 has 512 bytes of RAM and MC68HC11D3 has 192 bytes of RAM).

Members of the M68HC11 Family include various amounts of on-chip mask-programmed ROM. The MC68HC11A8 has 8 Kbytes of user ROM, the MC68HC11E9 has 12 Kbytes, and the MC68HC11D3 has 4 Kbytes. This ROM is used for storage of user program instructions and fixed data. Some members of the M68HC11 Family have this internal ROM disabled, and the user programs reside in external memories.

The last major memory system on the M68HC11 is the EEPROM. The MC68HC11A8 includes 512 bytes of EEPROM; whereas other members of the M68HC11 Family include as much as 8.5 Kbytes of EEPROM. Data can be programmed into the EEPROM or erased from the EEPROM under software control. No power supplies other than the normal V_{DD} (5 Vdc) supply are needed for programming or erasure of the 512 bytes of on-chip EEPROM in the MC68HC11A8. No power supplies are required to maintain the contents of this memory. This memory is commonly used for semipermanent information such as calibration tables, personality data, or product history information. The EEPROM can also be used for program memory; furthermore, the nonvolatile nature of this EEPROM supports programs that can adapt to changing conditions.

4.3 Read-Only Memory (ROM)

The primary use for on-chip ROM is to hold the user's application program instructions. Since these instructions are programmed into the microcontroller unit (MCU) when it is manufactured, they cannot be changed. A user develops the application program and debugs it before ordering production MCUs. The user places an order for production units

with the pattern of instructions and data to be programmed into the on-chip ROM. Motorola then translates this pattern into a photographic mask to be used during processing of silicon wafers. Motorola then produces a small batch of these parts and returns them to the customer for verification. These units are called ROM verification units (RVUs). After customer approval of these RVUs, Motorola begins full production of these customized MCUs. The RVUs, processed on a quick turnaround basis, are not tested to environmental extremes because their sole purpose is to demonstrate that the customer-requested ROM pattern was properly implemented.

The on-chip program ROM can be disabled by an EEPROM-based control bit in the configuration control (CONFIG) register. When the program ROM is disabled, it uses up no space in the 64-Kbyte memory space, and an external memory is used for program instructions. ROM-less versions of the M68HC11 Family, such as the MC68HC11A1, actually have on-chip ROM, but the ROM is disabled by the enable on-chip ROM (ROMON) control bit equals 0 in the CONFIG register.

The MC68HC11A8 actually has two separate on-chip ROM memories:

- 8-Kbyte user ROM, available for user-defined programs
- Separate 192-byte ROM, called the bootloader ROM

This bootloader ROM controls the bootstrap loading process of the special bootstrap mode. In normal modes of operation, the bootloader ROM is disabled and uses no space in the 64-Kbyte address space of the MCU. During expanded test mode, the bootloader ROM can be enabled for testing but is not in the memory map after a reset until/unless the test program software enables it. In special bootstrap mode, the bootloader ROM is enabled at \$BF40–\$BFFF by default out of reset, and the reset vector in this ROM at \$BFFE,BFFF vectors to the bootloader program in this ROM.

The bootloader program is also involved with the security feature that allows a user to protect the contents of EEPROM and RAM from being read by software pirates. When the security option is enabled, the MCU can be reset only in normal single-chip mode or special bootstrap mode. In normal single-chip mode, the reset vector is located in the on-chip 8-Kbyte ROM, and the user's program controls all program actions.

Since there are no external address or data buses, a pirate could not see what is in the internal EEPROM or RAM memories. In special bootstrap mode, the reset vector is located in the on-chip bootloader ROM, and the bootloader program is in control. The bootloader program checks the security enable control bit before proceeding to the program downloading step. If security is enabled, the entire EEPROM and RAM are erased before downloading continues. After the EEPROM and RAM have been erased and verified, the CONFIG register (which contains the security enable control bit) is erased, and downloading can proceed. For additional information about the CONFIG register and security option, refer to [3.4 EEPROM-Based Configuration \(CONFIG\) Register](#). [Section 3. Configuration and Modes of Operation](#) also includes additional details about modes of operation.

4.4 Random-Access Memory (RAM)

This subsection discusses the on-chip RAM of the MC68HC11A8. This 256-byte RAM can be mapped to the beginning of any 4-Kbyte block in the 64-Kbyte address space. The methods and reasons for this remapping are discussed; two methods of RAM standby are also discussed.

4.4.1 Remapping Using the INIT Register

By default, the on-chip RAM is located in the first 256 locations (\$0000–\$00FF) of the 64-Kbyte memory map. In many (but not all) cases, this location is good for the on-chip RAM. The first 256 locations in memory are accessible using the direct addressing mode, which assumes the upper byte of the 16-bit address is \$00. Since the direct addressing mode can address these locations with a 1-byte address rather than a two-byte address, each such instruction saves a byte of program memory space and a cycle of execution time compared to the same instruction using expanded addressing mode. Depending on the application, maximum efficiency can be achieved by having RAM, I/O registers, or both in this premium address space.

The position of RAM in the 64-Kbyte address space is controlled by the RAM and I/O mapping (INIT) register. The upper four bits of INIT (RAM3–RAM0) specify the upper four bits of the 16-bit RAM addresses. At reset, the RAM3–RAM0 bits are forced to 0 so the RAM is initially located at \$0000–\$00FF. By writing some other value to the INIT register, the RAM can be relocated to the beginning of any 4-Kbyte page in the 64-Kbyte address space. In normal operating modes, the INIT register is protected so that it can be changed only within the first 64 cycles after reset. For more detailed information about the INIT register, see [3.5.1 RAM and I/O Mapping Register \(INIT\)](#).

4.4.2 RAM Standby

A RAM standby function has several purposes. In battery operated systems, the RAM standby function provides a way to conserve limited battery power during times of MCU inactivity, which increases the effective time the system can operate without battery charging or replacement. In systems using a municipal electric system as the primary source of power, operating power is not usually a major issue, but power interruptions can be. Enough energy may be stored in regulator filter capacitors to allow a system to operate for some period of time after primary power is lost. The system current drain determines how long the stored energy can maintain the system. By detecting the loss of primary power and changing to a low-power standby mode, the MCU system can be maintained through longer power interruptions. After the interruption, the system can decide whether to continue operation or to perform a complete reset initialization. In other municipal-powered systems, it may be useful to maintain a limited amount of information during very long interruptions of primary power. In such cases, a separate standby power source based on a battery could be used to maintain the contents of RAM while the system is non-operational.

The on-chip RAM of the M68HC11 Family is fully static; there are two ways RAM contents can be maintained while reducing system power consumption to very low levels. The easiest method for low-power RAM standby is the software-based stop mode. The alternate method uses the MODB/ V_{STBY} pin for standby power in a mostly hardware approach.

Since the entire MCU, including RAM, is fully static, there is no minimum oscillator clock frequency. In complementary metal oxide semiconductor (CMOS) integrated circuits, power supply current is directly proportional to operating frequency; thus, only very small leakage currents exist when clocks are stopped. This is the basis for the stop method of RAM standby. When the MCU is stopped, all CPU registers, control and I/O registers, and all RAM contents remain unchanged as long as V_{DD} is present. I_{DD} for the MCU is reduced to a few microamps when MCU clocks are stopped.

In some systems, other circuitry may be powered from V_{DD} that cannot be easily placed in a low-power standby mode. In these systems, V_{DD} must be turned off to reduce system power drain. The MODB/ V_{STBY} method of RAM standby allows V_{DD} to be removed without losing the contents of on-chip RAM. This method is more hardware intensive because it involves a second power supply and associated problems. In CMOS systems, it is possible to power an integrated circuit through an I/O pin because, on some I/O pins, there is an inherent diode between the pin and the internal V_{DD} . In some CMOS systems, even the sequencing of power supplies is critical, which implies using caution whenever there is more than one power supply in a system. Although the sequencing of V_{DD} relative to MODB/ V_{STBY} is not important on the MC68HC11A8 itself, the sequencing may be important to any other CMOS device in the system exposed to both V_{DD} and V_{STBY} .

Several I/O pins on the MCU should not have voltage on them while V_{DD} is off. Any pin having the source or drain node of a P-channel device in the on-chip circuitry connected to this pin has an inherent diode to V_{DD} . If such a pin were connected to a signal powered by V_{STBY} rather than V_{DD} , the entire V_{DD} network would be powered by V_{STBY} through the inherent diode. Powering the V_{DD} network in this way may result in unexpected operation of the system and definitely results in more load on the V_{STBY} supply than expected.

4.5 Electrically Erasable Programmable ROM (EEPROM)

This subsection describes the operation of the EEPROM on the MC68HC11A8 and explores some of its applications. In addition to the 512 bytes of user EEPROM on the MC68HC11A8, there is another EEPROM byte (CONFIG register) controlling some basic features of the MCU. The CONFIG register and mechanism are described in detail in [3.4 EEPROM-Based Configuration \(CONFIG\) Register](#), but some aspects of the EEPROM enable bit (EEON) and the security mode disable bit (NOSEC) are discussed in terms of how they relate to EEPROM.

The MC68HC11A8 was the first MCU to include CMOS EEPROM. This 512-byte EEPROM memory can be used in the same ways ROM would be used, but some interesting possibilities arise that are not possible with ROM or RAM memories. A simple example is to store a unique serial number in the EEPROM of each finished product. Once information is programmed into the on-chip EEPROM, it remains unchanged even if V_{DD} power is removed indefinitely. Unlike information in ROM, information in EEPROM can be erased or reprogrammed under software control. Since EEPROM programming and erasure operations use an on-chip charge pump driven by V_{DD} , no special power supplies are needed.

The M68HC11 Family of MCUs includes members with various amounts of EEPROM. The MC68HC811A8 (emulator for the basic MC68HC11A8) has 8.5 Kbytes of EEPROM. The principles presented here apply specifically to the original MC68HC11A8. Some details of EEPROM operation may vary slightly for other members of the M68HC11 Family; however, the basic concepts presented here can be extended to explain the operation of these other members.

4.5.1 Logical and Physical Organization

The logical organization of the 512-byte EEPROM is important for identification of rows when using the row-erase feature. The physical organization may be useful in isolating problems in rare cases.

Although some family members (for example, MC68HC811E2) allow remapping of the on-chip EEPROM, the 512-byte EEPROM in the MC68HC11A8 is fixed at locations \$B600–\$B7FF. This 512-byte block is logically arranged into 32 rows of 16 bytes each. The first row occupies the locations \$B600–\$B60F, the second row occupies \$B610–\$B61F, etc. EEPROM locations can be erased individually (byte erase), in rows of 16 bytes each (row erase), or all 512 bytes at once (bulk erase). The CONFIG byte is separate from this 512-byte block. Special restrictions apply to erasure of the CONFIG EEPROM byte. **Figure 4-1** shows the topological organization of the 512 bytes of EEPROM in the MC68HC11A8. **Figure 4-2** shows the topological arrangement of bits within a byte of EEPROM.

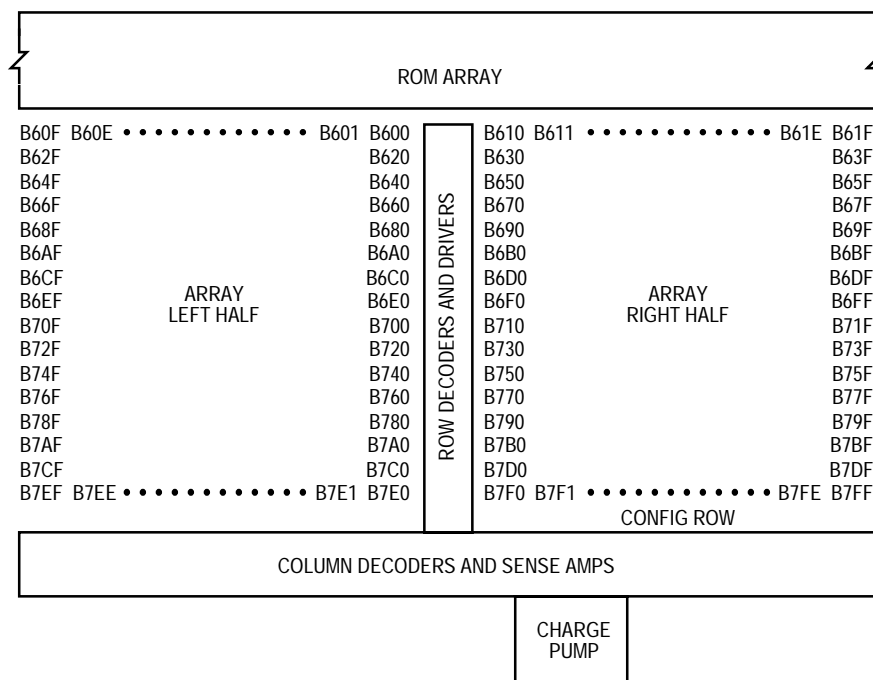


Figure 4-1. Topological Arrangement of EEPROM Bytes (MC68HC11A8)

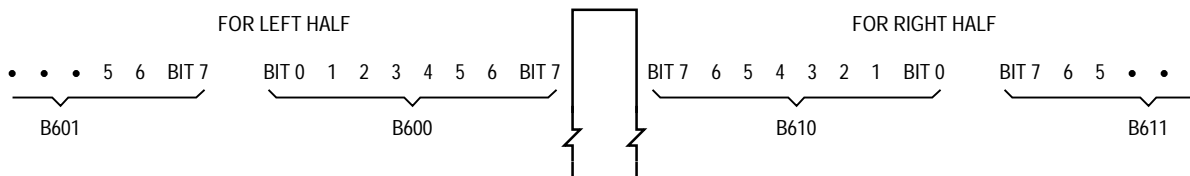


Figure 4-2. Topological Arrangement of Bits in an EEPROM Byte

4.5.2 Basic Operation of the EEPROM

The following paragraphs briefly describe how the EEPROM operates. **Figure 4-3**, a condensed schematic of the EEPROM array, provides insight into the operation of the EEPROM system and illustrates the complexity of a byte-erasable EEPROM. Each byte in the EEPROM array consists of 17 transistors, eight floating-gate transistors, a select transistor for each floating-gate transistor, and a byte-select transistor. In comparison, an ultraviolet erasable EPROM byte requires only the eight floating-gate transistors.

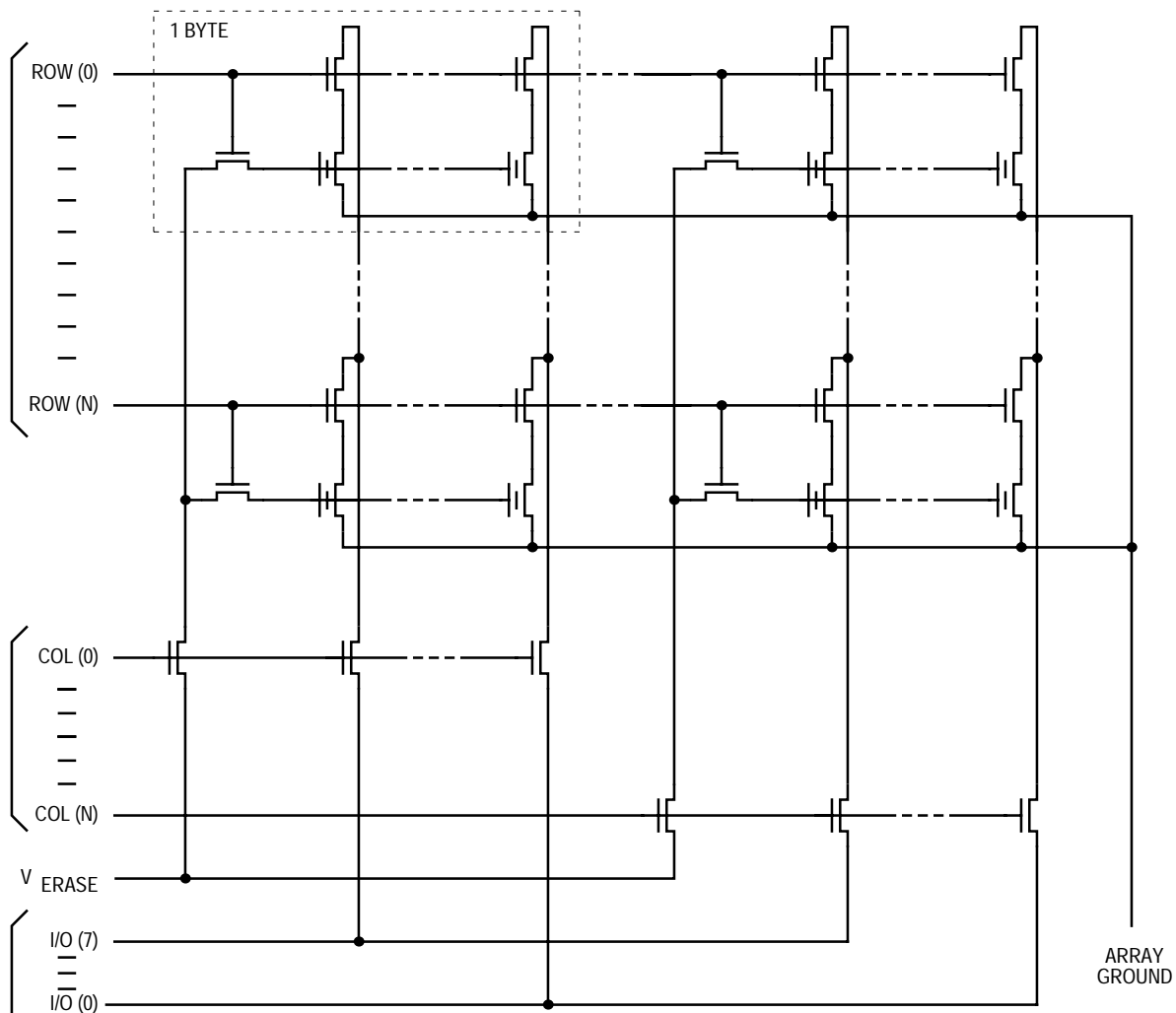


Figure 4-3. Condensed Schematic of EEPROM Array

Figure 4-4 shows an EEPROM bit with important features and nodes labeled. These terms are used in the following explanation of basic EEPROM operations. **Figure 4-5**, **Figure 4-6**, and **Figure 4-7** show an EEPROM byte being erased, programmed, and read, respectively. The floating-gate transistor is the storage element in the EEPROM cell. Since the floating gate is isolated by thin oxide layers, any charge on this gate remains indefinitely unless a large enough field is created, as in programming and erase modes. When a large enough field is present, Fowler-Nordheim electron tunneling allows charge to be transferred to or from the floating gate, depending on the polarity of the field. In the following discussion, V_{DD} is nominally 5 V and V_{PP} is about 20 V. In the MC68HC11A8, V_{PP} is developed from V_{DD} with an on-chip charge pump; thus, no external high voltages are required.

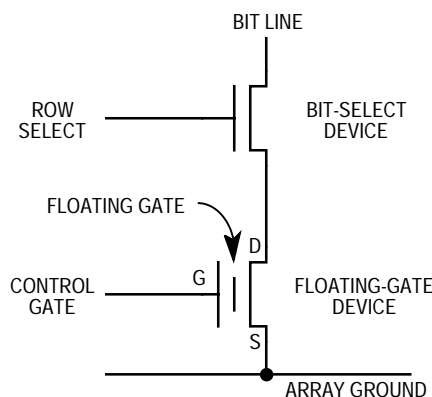


Figure 4-4. EEPROM Cell Terminology

In erase mode (see **Figure 4-5**), the array ground is connected to V_{SS} . The row and column selects cause the control gates of the byte(s) being erased to be connected to V_{PP} . Other bytes in the array that are not being erased would have their control gates connected to an undriven logic 0. The bit-select devices are all turned on by V_{PP} on the word lines; however, the drains of the bit-select devices are high impedance. Thus, the drains of the floating-gate transistors are effectively floating. The high voltage on the control gate of the floating-gate transistor is capacitively coupled onto the floating gate. The large field between the floating gate and the substrate results in electron tunneling from the substrate to the floating gate. After erasure, the floating gate has a

negative charge, which keeps the floating-gate transistor turned off during reads. If leakage in the floating-gate transistor caused the negative charge to leak off so that there was no charge on the floating gate, the bit would still read back as 1. This fact implies that long-term retention errors cannot cause a logic 1 bit to deteriorate to a logic 0.

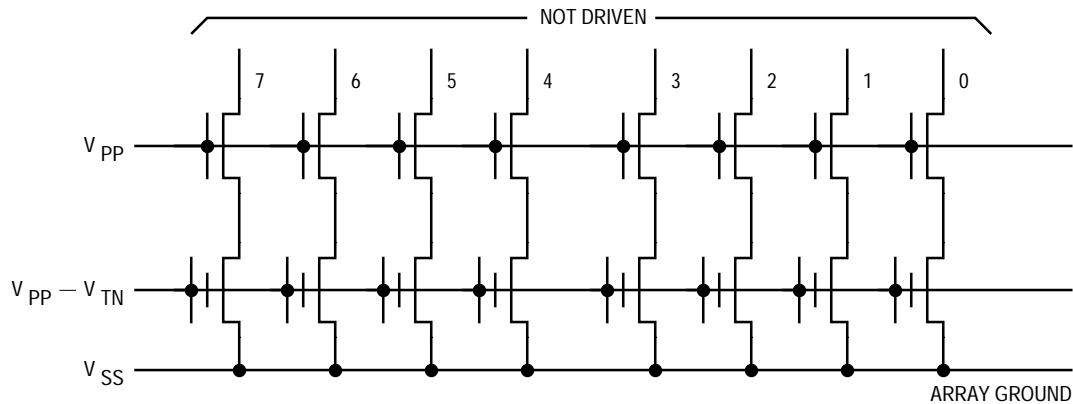


Figure 4-5. Erasing an EEPROM Byte

Figure 4-6 shows an EEPROM byte being programmed to the value \$55 (0101 0101) to demonstrate the effect of programming both 1s and 0s. Since the erased state of an EEPROM bit is 1, programming a 1 is the same as doing nothing. During programming, the array ground is not driven. The control gates of the byte to be programmed are driven to 0 through the row-select and column-select path. Control gates for bytes not being programmed will be high impedance because the column-select and/or row-select device will be off. The bit-select devices are turned on hard because the row select, for the row containing the byte being programmed, is driven to V_{PP} . The bit lines are driven to V_{DD} for bits not being programmed (1s) and to V_{PP} for bits being programmed (0s).

For bits not being programmed (1s), the drain of the floating-gate transistor is at V_{DD} , and the control gate is at V_{SS} . This configuration does not result in a large enough field for tunneling to occur; thus, no charge transfer occurs.

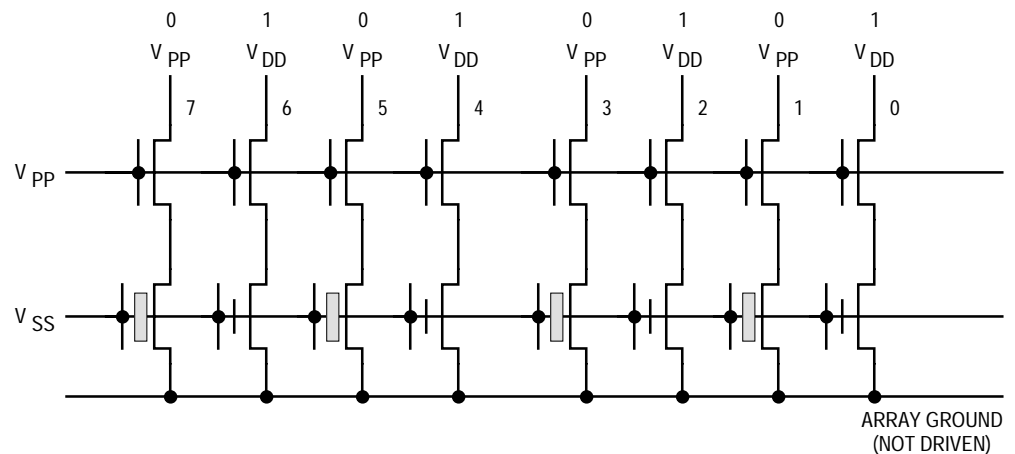


Figure 4-6. Programming an EEPROM Byte

For bits being programmed (0s), the drains of the floating-gate transistors are at $V_{PP} - V_{TN}$ (because of the drain-to-source threshold voltage drop across the bit-select device), and the control gate is at V_{SS} . This configuration results in a large enough field so electrons can tunnel from the floating gate to the drain region of the floating-gate transistor. Since the floating gate of a programmed bit has a positive charge, the floating-gate transistor will conduct during reads.

Figure 4-7 shows an EEPROM byte being read. During a read operation, the bit lines are precharged to 1. Column selects enable the bit lines from the byte being read to the sense amp inputs. The row select for the row containing the byte being read is driven to V_{DD} to enable the bit-select devices. The array ground is connected to V_{SS} . The floating gate devices of programmed bits conduct and pull the corresponding bit lines to 0. The floating-gate devices of bits not programmed do not conduct; therefore, the corresponding bit lines remain at the precharged level and read as 1s. EEPROM operations are actually much more complicated than this discussion suggests, but these general statements may be useful to designers using the EEPROM:

1. Since no high voltages are present during read operations, no degradation of data can result from repeated read operations.
2. Erase operations normally take less time than programming operations.

3. The most common EEPROM failure (write 1s) is an unintended bit change from 1 to 0 during programming of \$FF data. This failure occurs during endurance testing as the part approaches wearout (typically after tens of thousands of write-erase cycles).
4. Retention failures result in programmed 0s reverting to 1s due to leakage of the floating-gate charge.
5. Ones never revert to 0s without an explicit programming operation (though the programming operation need not involve any 0s in the pattern being programmed).

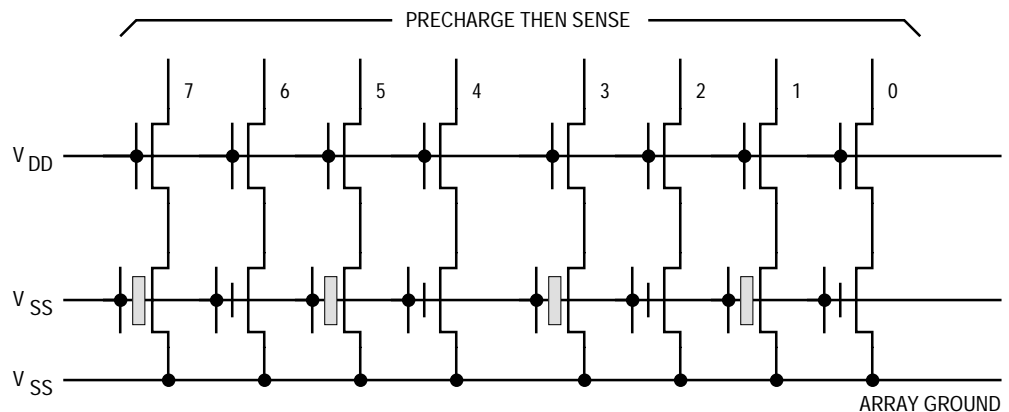


Figure 4-7. Reading an EEPROM Byte

EEPROM programming and erasure involve the movement of charge through a thin oxide layer. This charge movement requires a relatively large field to be present for a significant length of time (milliseconds). Noise is not likely to cause individual bits to change state. Most failures of the EEPROM involve breakdowns due to the relatively high voltages or to an oxide degradation phenomenon (trapped charge). After many cycles of programming and erasure, charge may become trapped in the thin oxide layers isolating the floating gate. This trapped charge causes programming and erase operations to take longer as the amount of trapped charge increases. When the cell fails to program to 0 in the allotted time, it is worn out. In many cases, these bits can still be programmed and erased provided the program and erase times are increased. The useful life of an EEPROM byte cannot be extended very far by extending the programming time because a worn bit exhibits a reduced ability to retain valid 0s for very long time periods.

4.5.3 Systems Operating Below 2-MHz Bus Speed (E Clock)

The on-chip charge pump that generates V_{PP} from V_{DD} uses MOS capacitors, which are relatively small in value. The efficiency of this charge pump and its drive capability are affected by the level of V_{DD} and the frequency of the driving clock. The load depends on the number of bits being programmed or erased and capacitances in the EEPROM array. Effective array load capacitances are influenced to some degree by the data in the array.

The clock source driving the charge pump is software selectable. When the clock select (CSEL) control bit in the OPTION register is 0, the E clock is used; when CSEL is 1, an on-chip resistor-capacitor (RC) oscillator is used. The frequency of this on-chip RC oscillator is about 2.5 MHz but varies with processing.

The recommended programming and erase time is 10 ms when V_{DD} is 5 Vdc \pm 10 percent and the E clock is 2 MHz. If the E clock is 1 MHz or less, the CSEL bit should be written to 1 to enable the on-chip RC oscillator to drive the V_{PP} charge pump. For an E clock between 1 and 2 MHz, the programming and erase times can be increased to 20 ms, or the RC oscillator can be selected. Experimentation has shown the EEPROM is programmable with V_{DD} equal to 3 Vdc and CSEL equals 1 to enable the on-chip RC clock.

CSEL also enables a separate RC oscillator associated with the A/D converter system. The E-clock frequency (where switchover to CSEL equals 1 is recommended) is lower for the A/D than it is for EEPROM operations. In the A/D system, switching to CSEL equals 1 can increase conversion errors; thus, it is better to perform A/D conversions with CSEL equals 0. In some applications, it is worthwhile to switch CSEL on and off, depending on whether A/D or EEPROM programming/erase operations are occurring. Refer to [12.4.2 A/D Charge Pump and Resistor-Capacitor \(RC\) Oscillator](#) for additional information.

4.5.4 EEPROM Programming Register (PPROG)

The PPROG register controls programming and erasure of the on-chip EEPROM. The PPROG register may be read or written at any time, but

programming and erase sequences are strictly controlled by logic to prevent unintentional changes to EEPROM data. In the MC68HC11A8, the CONFIG register EEPROM location cannot be programmed or erased unless the MCU is operating in special test or special bootstrap mode. The V_{PP} power supply voltage is not enabled to the EEPROM array until all sequence requirements are met for a programming or erase operation. The required sequence consists of these steps:

1. Write to PPROG with EEPROM latch control (EELAT) bit equals 1 and EEPROM programming voltage enable (EEPGM) bit equals 0
2. Write to a valid EEPROM location or the CONFIG address
3. Write to PPROG with EELAT and EEGPM bits equal 1

Hardware logic enforces this sequence by imposing the following restrictions. If an attempt is made to change both EELAT and EEGPM to 1s with the same write operation, neither bit is set (enforces step 1). Writes to EEPROM addresses are inhibited while EEGPM is 1, which prevents two kinds of errors. First, step 2 must be performed before step 3, or no EEPROM changes will occur. Second, a write to a different EEPROM location is prevented while a programming or erase operation is in progress.

In some members of the M68HC11 Family, there is a block protection mechanism that can inhibit programming and erasure of the CONFIG register or selected areas of EEPROM. After reset, these block protect control bits (in a block protect (BPROT) register) are set to inhibit EEPROM changes. A user can write these bits to 0 to enable programming and erase operations, but this write must be performed within 64 cycles after reset. The user may write these bits back to 1 at any time to inhibit further EEPROM changes. Once this protection is re-enabled, it remains in effect until another reset. There is no BPROT register in the MC68HC11A8.

Figure 4-8 and the following paragraphs describe the bits in the PPROG control register.

Address: \$103B

	Bit 7	6	5	4	3	2	1	Bit 0
Read:	ODD	EVEN	0	BYTE	ROW	ERASE	EELAT	EEPGM
Write:								
Reset:	0	0	0	0	0	0	0	0

Figure 4-8. EEPROM Programming Register (PPROG)

ODD — Program Odd Rows in Half the EEPROM Array

EVEN — Program Even Rows in Half the EEPROM Array

These two bits are used only during factory testing of the EEPROM. To program all bytes in the odd (even) rows on one side of the EEPROM array with the same data in a single programming operation, set the ODD (EVEN) and EELAT bits to 1s, write to an EEPROM location in an odd (even) row, and then set the EEGM bit. Since the on-chip V_{PP} charge pump does not have enough drive to perform this bulk programming operation, an external 20-V current-limited supply must be connected to the external EEPROM voltage source (IRQ/V_{PPBULK}) pin. The intended purpose of this function is to allow the entire EEPROM array to be filled with a checkerboard pattern in only four programming operations. This feature is not intended for customer use since the function serves no practical purpose other than product testing.

BYTE — Byte/Other EEPROM Erase Mode Bit

ROW — Row/All EEPROM Erase Mode Bit

These two bits specify the type of erase operation that is to be performed. These bits have no meaning when the ERASE bit is clear. The following table shows the relationship between the state of these bits and the type of erase operation that will be performed.

BYTE	ROW	Type of Erase
0	0	Bulk erase (all 512 bytes)
0	1	Row erase (16-byte row)
1	0	Byte erase
1	1	Byte erase

ERASE — Erase/Normal Control Bit for EEPROM

0 = Normal read or program mode

1 = Erase mode

EELAT — EEPROM Latch Control Bit

When this bit is 0, the EEPROM acts as a ROM in the MCU memory map. When EELAT is 1, the EEPROM acts as if it has been removed from the memory map and placed into a programming socket.

Latches on the address and data lines to the EEPROM array are enabled to capture data and address information needed during program or erase operations. While EELAT is 1, the EEPROM cannot be read, which implies a software routine that programs or erases EEPROM cannot be executed from that same EEPROM. The operation of EELAT also implies that programs that access data from the EEPROM must not be executed while an EEPROM location is being programmed or erased.

EEPGM — EEPROM Programming Voltage Enable Bit

This control bit enables the V_{PP} power supply to the EEPROM logic for programming and erase operations. When EEGPM is 0, V_{PP} is off; when EEGPM is 1, V_{PP} is on. A logic interlock mechanism prevents setting this bit unless EELAT was written to 1 earlier.

4.5.5 Programming/Erasing Procedures

The following discussion and program segments demonstrate the various programming and erase operations that can be performed on EEPROM locations. These program segments are intended to be simple, straightforward examples of the sequences needed for basic program and erase operations. There are no special restrictions on the addressing modes used, and bit manipulation instructions may be used. Other operations can be performed during programming and erasure provided these operations do not include reads from the EEPROM (the EEPROM is disconnected from the read data bus during program and erase operations). The subroutine (DLY10) used in these program segments is not shown but can be any set of instructions that takes 10 ms.

If several bytes of EEPROM are to be programmed, the EELAT bit can be left at 1 for the entire block. After each byte is programmed, EEPGM is written to 0 and EELAT is left at 1. The next EEPROM location is then written, and the EEPGM bit is written back to 1 to execute the programming request.

4.5.5.1 Programming

During EEPROM programming, the ROW and BYTE bits are not used. If the E-clock frequency is less than 2 MHz, the programming time may need to be increased, or the CSEL bit in the OPTION register may have to be set to enable an on-chip RC oscillator to drive the V_{PP} charge pump. Since programming can only change 1s to 0s in the EEPROM, it is sometimes necessary to erase a byte to \$FF in a separate operation before programming it to a new value.

This programming segment demonstrates how to program an EEPROM byte:

```
* On entry, A = data to be programmed and X = an EEPROM address
"
"
PROG  LDAB    #$02
      STAB    $103B    Set EELAT bit (EEPGM=0)
      STAA    0,X      Store data to EEPROM address
      LDAB    #$03
      STAB    $103B    Set EEPGM bit (EELAT=1)
      JSR     DLY10    Delay 10 mS
      CLR     $103B    Turn off high voltage & set to read mode
"
"
```

4.5.5.2 Bulk Erase

This program segment demonstrates how to bulk erase the 512-byte EEPROM. The CONFIG register is not affected in this example.

```
"
"
BULKE LDAB    #$06
      STAB    $103B    Set to BULK erase mode
      STAB    $B600    Write any data to any EEPROM address
      LDAB    #$07
      STAB    $103B    Turn on programming voltage
      JSR     DLY10    Delay 10 mS
      CLR     $103B    Turn off high voltage & set to read mode
"
"
```

4.5.5.3 Row Erase

This example demonstrates the row-erase function. A row is 16 bytes (\$B600–\$B60F, \$B610–\$B61F ... \$B7F0–\$B7FF). When large sections of EEPROM are to be erased, this type erase operation saves time compared to byte erase.

```
* On entry, X=any address in ROW to be erased
"
"
ROWE  LDAB    #$0E
      STAB    $103B    Set to ROW erase mode
      STAB    0,X      Write any data to any address in ROW
      LDAB    #$0F
      STAB    $103B    Turn on high voltage
      JSR     DLY10    Delay 10 mS
      CLR     $103B    Turn off high voltage & set to read mode
"
"
```

4.5.5.4 Byte Erase

This program segment demonstrates how to erase a single byte of EEPROM.

```
* On entry, X=any address of BYTE to be erased
"
"
BYTEE LDAB    #$16
      STAB    $103B    Set to BYTE erase mode
      STAB    0,X      Write any data to address to be erased
      LDAB    #$17
      STAB    $103B    Turn on high voltage
      JSR     DLY10    Delay 10 mS
      CLR     $103B    Turn off high voltage & set to read mode
"
"
```

4.5.5.5 CONFIG Register

This program segment shows how to program the CONFIG register in the MC68HC11A8 to a new value. The CONFIG byte can be erased only with the bulk-erase method on the original MC68HC11A8; however, some new members of the M68HC11 Family allow the CONFIG byte to be byte erased. If any question arises about which members can use byte erase, refer to the data sheet for that member. It is possible to

program additional bits in CONFIG to 0 without erasing the location first; however, it is better to perform an erase first as shown in this example and explained in [4.6 EEPROM Application Information](#).

```
* On entry, A=data to be programmed into CONFIG
"
"
CNFCH  LDAB    #$06
        STAB    $103B    Set to BULK erase mode
        STAB    $103F    Write any data to CONFIG address
        LDAB    #$07
        STAB    $103B    Turn on programming voltage
        JSR     DLY10    Delay 10 mS
        LDAB    #$02
        STAB    $103B    Turn off EEPROM, leave EELAT on
        STAA    $103F    Store new CONFIG data
        LDAB    #$03
        STAB    $103B    Set EEPROM bit (EELAT=1)
        JSR     DLY10    Delay 10 mS
        CLR     $103B    Turn off high voltage & set to read mode
"
"
```

4.5.6 Optional EEPROM Security Mode

An optional security mode feature can be used to protect the EEPROM and RAM contents from unauthorized access. Most MCU products are of little or no use without the software programs that control them. By protecting the secrecy of the program or a key part of the program, a product can be protected against unauthorized duplication. The MC68HC11A8 solves the dilemma of protecting against unauthorized access while permitting testing and recovery of protected parts for reuse.

The protection mechanism operates on the principle of restricting protected devices to the single-chip modes of operation. Since single-chip modes do not allow visibility of the internal address and data buses, the contents of memory locations cannot be monitored externally. Since the user's program has unlimited access to the internal EEPROM and RAM, it is still possible for the application program to read information out of these memories, write new information into them, or even report the contents of these memories via MCU I/O ports. The user can develop a program to enter secret information into the MCU or to read secret information out of the MCU by some secret access

procedure. All or part of this secret access procedure should be programmed in the EEPROM so that a software pirate could not decode the secret procedure by disassembling the ROM program, which can be read after turning off the security mode. Although the security mode can be turned off easily by anyone at any time, this can be done only after the information in EEPROM and internal RAM have been completely erased.

Two conditions are required to engage the security option. First, the option must be enabled by a mask option. This option is normally requested at the time the customer submits the mask program for the internal 8-Kbyte ROM. Since this option is enabled or disabled during physical manufacturing of the silicon die, the choice must be made prior to manufacturing. Although this first level of enable makes the MCU capable of being secured, it does not activate the security mode. The second requirement to engage the security option is that the NOSEC bit in the CONFIG register be programmed to 0. Programming NOSEC to 0 does not engage the security mode unless the MCU was manufactured with the capability to recognize the security option. The reason for a 2-level enable is to prevent accidental activation of the security option in applications that never intend to use it.

Bootloader firmware is used to disengage the security option. Bootloader firmware checks the NOSEC bit in CONFIG to determine whether the security option is on. If security is on, the entire EEPROM is erased, and the entire RAM is written with \$FF to overwrite anything that was in RAM before. The EEPROM and RAM are then rechecked to make sure the erase operations were successful. If the operations were not successful, they are repeated until successful. Once the EEPROM and RAM have been verified as erased, the CONFIG register is erased to disengage the security option, and the downloading operation is started. It is not necessary to actually download a program via the bootstrap mode to disengage security. The only requirement is to come out of reset in the bootstrap mode. The security option is disengaged regardless of whether anything is downloaded.

The presence of the security option can be detected while the MCU is in reset by forcing the mode A (MODA) and mode B (MODB) pins to 1 and monitoring the strobe A/address strobe (STRA/AS) pin. When MODA

and MODB are 1s, the normal expanded mode is requested. If security is engaged, the STRA/AS pin will act as a high-impedance input because the security option causes the MODA pin to be interpreted as a 0 even if it is a 1. In single-chip modes, the STRA/AS pin is configured for the strobe A input function. If the security mode is not engaged, the STRA/AS pin will act as the address strobe output, which can easily be recognized on an oscilloscope. This checking procedure allows the security mode to be detected without disengaging it. If the MODB pin were low in this experiment, the bootstrap mode would be requested rather than the normal single-chip mode. In the case of MODB low, care is required not to release reset because doing so would cause the security option to be disengaged.

When developing a security strategy, the user should remember ROM contents are not protected. A software pirate can disengage the security option, read the contents of the internal ROM, and disassemble the programs and subroutines in that ROM. Some measures to protect an application program intentionally make the program more difficult to understand. Programs that are difficult to understand are also difficult to develop and maintain. Careful documentation of the function and intent of every written program is essential.

A key can be stored in EEPROM. A user can then be required to supply a matching key value before the program will operate. This approach is somewhat weak because all of the operational programs are intact in the ROM; thus, a software pirate could find and bypass the key-checking routine. However, if the key-checking routine is repeated in more than one way and place, this approach can make unauthorized access difficult.

Another approach is to program a vital subroutine entirely within the EEPROM. This approach is better than the previous key-checking approach because the ROM does not contain all of the programs needed to make the product function. The weakness of this approach is that a software pirate can still duplicate the product after solving that one routine. The pirate also gains a development cost advantage over the original manufacturer, because only part of the application program has to be developed.

Many application programs are modularly organized as a major loop consisting of calls to submodules. The application relies on both the routines that are called and the order in which they are called. A degree of security can be achieved by putting the major loop (which calls all the subprograms) in the EEPROM. In this case, a software pirate can decode the submodules, but the order of execution is not known. To make the program more difficult to decipher, extra incorrect programs could be included in ROM. The software pirate could not distinguish real routines from fake routines. There is a useful side-effect of this approach. Since the major loop is resident in the EEPROM, it can be changed to call a replacement or patch routine if one of the subprograms is defective. Rather than throwing away the entire MCU, the EEPROM can be reprogrammed to correct or replace the defective subprogram.

Another approach to software secrecy involves accessing variables indirectly through a pointer stored in the EEPROM. The program in ROM could execute a sequence such as loading X with the pointer value from EEPROM (LDX addr; LDAA 0,X). Since the software pirate does not know what X points to, there is no way of knowing what is being loaded into accumulator A. By mixing direct accesses and indirect accesses to the same variables, the software pirate is unable to recognize that two accesses are to the same variable.

4.6 EEPROM Application Information

Since EEPROM is a relatively new technology, very little published application information exists. This subsection presents practices that could cause application problems and discusses several practical uses for EEPROM on an MCU. Next, there is a discussion of the use of EEPROM in programs that adjust themselves to accommodate variable conditions. Many applications can benefit from this type of programming, which is presently becoming practical because of the inclusion of EEPROM on an MCU. The subsection concludes with a detailed look at some proposed methods to extend the useful write-erase lifetime of the EEPROM.

4.6.1 Conditions and Practices to Avoid

When programming a new value over an old value in EEPROM without first erasing the EEPROM location, it is very important to avoid certain data patterns. The most common method for programming a new non-FF value to an EEPROM location containing a non-FF value is to erase the location before programming the new value. This procedure works for any combination of old and new data values. In less common situations in which an EEPROM location endures many write-erase cycles, it may be desirable to program a new value over an old value without erasing the location first. This procedure is only possible when the new value has no 1s where the EEPROM location already has a 0. A method called "write-more-zeros" can be used to program additional bits in an EEPROM location without erasing the location first, which eliminates a write-erase cycle. Another method called "selective-write" has been proposed but has not been tested and characterized enough to be sure it will work in all cases. In this method, the data pattern used in the programming operation would have 1s in all positions except the bits that are 0s in the new value but were 1s in the previous value. The idea in this method is to avoid reprogramming bits already programmed. The benefits are theoretical and have not been proven. Although both of these methods (write-more-zeros and selective-write) appear to work correctly in laboratory experimentation, the combination of the two methods is known to fail. An example of a failing combination would be to attempt to program \$FC to a location that previously contained the value \$0D in an attempt to change the location to the value \$0C. In this case, bit 1 follows the write-more-zeros method; whereas, bits 4–7 follow the selective-write method. A detailed explanation of this case is given in [4.6.7 Software Methods to Extend Life Expectancy](#).

System software should be partitioned so that data and programs in EEPROM will never be used while an EEPROM programming or erase operation is in progress. When the EELAT control bit is set to 1 at the beginning of a program or erase operation, the EEPROM is electronically removed from the MCU memory map; thus, it is not accessible during the programming or erase operation. Since it is possible to perform other tasks while the 10-ms EEPROM operation is in progress, it is fairly common to start the operation and return to the main program until the 10 ms is completed. If a routine in the main

program or an interrupt tries to access a value in EEPROM while a programming operation is in progress, that operation will fail since the EEPROM is temporarily inaccessible.

In an interrupt-driven system, it may be possible for an asynchronous interrupt to occur in the middle of an EEPROM programming or erase operation. Such an interrupt can cause the programming or erase operation to extend beyond the normal 10-ms period. A small extension of the programming or erase time will not damage the EEPROM or compromise the intended operation. Repeated extension or long extensions may involve a slight acceleration of write-erase wear-out because wear-out is related to the length of time high voltages are present in the EEPROM array. The most significant effects of wear-out occur near the beginning of a program or erase operation because the charge tunneling activity follows an exponential decay curve, which implies that extensions of programming time should have very little effect on the EEPROM cell. Another risk, which is difficult to quantify, is the possibility of high-voltage breakdown of row and column devices due to the presence of programming voltage. If programming and erase times are extended, these devices are exposed to high voltages for a longer time; thus, there is increased risk that a breakdown might occur.

In some systems, an EEPROM programming or erase operation could be in progress when a power failure or reset occurs, which presents the possibility that an EEPROM location might be corrupt or unreliable due to an incomplete programming operation. A way to avoid this problem is to design the system so power failures generate a non-maskable interrupt prior to complete loss of power. This interrupt would allow EEPROM operations to be completed prior to system shutdown. Other systems may have battery backup of RAM so programming status could be maintained in this memory. Upon reset, this status (in RAM) could be checked, and any operation that was in progress could be redone to ensure reliability.

Avoid unnecessary erasures of the CONFIG register EEPROM location. In a normal system, the CONFIG register is established during the design of an end product and does not change. In rare cases, the CONFIG register may be reprogrammed after a gross system failure accidentally corrupts the intended value. One suggested technique for

tolerating such errors involves starting the MCU in special test or special bootstrap mode after any reset. The CONFIG register can then be evaluated and changed if necessary. In this scheme, it is not appropriate to routinely erase and reprogram the CONFIG register. Changes should only be made when an error is detected, which minimizes the possibility of wearing out the CONFIG EEPROM location.

4.6.2 Using EEPROM to Select Product Options

In many applications, it is possible to provide for several product variations with a single MCU ROM pattern. This variation allows a user to pay for a single ROM mask charge and amortize the cost over a higher volume of end products. This variation also reduces the customer's inventory requirements by reducing the number of unique customized MCUs that have to be stocked. Before the availability of on-chip EEPROM, it was possible to include multiple program variations in a single ROM pattern. The ROM program would determine the specific program variation to execute by reading some unique value on an I/O port or by looking for unique devices in the memory map of the finished system. An ideal place to store such optional identifiers is in the on-chip EEPROM. The on-chip EEPROM has some advantages over the previous methods. The EEPROM method requires no I/O pins for option selection. The EEPROM method can accommodate upgrades in the options after the end product is manufactured, and no hardware changes are necessary. A common software technique is to program the various tasks for an application as a series of subroutines, which are called in the desired order by a main program loop. The main program loop is usually quite small, consisting of little more than a series of jump to subroutine (JSR) instructions. If this main loop is programmed into the on-chip EEPROM, it is relatively easy to modify the number and order of ROM routines to be executed.

4.6.3 Using EEPROM for Setpoint and Calibration Information

Another ideal use for EEPROM is for storage of setpoints or calibration information that will not change often. In some older systems, this information had to be entered each time a system was activated. By

storing this information in EEPROM, the product configuration and setup requirements can be simplified for the end user, and this data can be maintained indefinitely without power.

An example of setpoint data is the temperature setting of a home thermostat or the setback schedule for a more sophisticated thermostat. The two alternatives to storing this information in EEPROM are to require that the information be re-entered after a power interruption or to provide relatively expensive batteries and power sequencing logic. The home thermostat example can also benefit from a calibration table in EEPROM.

There are many types of temperature sensors with various degrees of accuracy and linearity; however, the most accurate and most linear devices also tend to be the most expensive. Since the application dictates a minimum degree of accuracy, the designer must decide how to arrive at this accuracy. One approach is to use a very inexpensive sensor and calibrate it at the factory. The combination of on-chip EEPROM and an on-chip analog-to-digital (A/D) converter is ideally suited to this task without requiring any expensive external circuitry. The thermostat could be completely assembled, and calibration information could be determined and stored in the EEPROM during final test of the assembled unit. The software required for this calibration could be part of the on-chip ROM program, or it could be loaded from a test fixture via the special bootstrap mode. The bootstrap mode approach offers the advantage that the calibration routines need not occupy any space in the limited internal ROM.

There are two main approaches to calibration of inexpensive sensors. The choice of the best approach depends primarily on the characteristics of the sensor but also depends on the degree of system accuracy required in the end application. If a sensor is basically linear but has wide variation in absolute offset, a gain-offset approach may be a good choice. This technique requires calibration at two standard levels from which a gain (slope) and offset are determined. The gain and offset values are then stored in EEPROM. An actual level is calculated by applying these values algebraically to an A/D input level. Although this technique requires some calculations during calibration and during use, it uses very little EEPROM space. If a sensor is non-linear, a

table-lookup approach may be required. An actual level is determined by using the A/D reading as an index into the calibration lookup table. During use, this method is very simple and fast, but the lookup table requires more EEPROM, and the calibration process requires more calibration points than the gain-offset method.

4.6.4 Using EEPROM during Product Development

During product development, the EEPROM can be used for storage of data and limited-sized programs. If errors are discovered, they can be corrected even more easily than a program in an EPROM. In cases in which there is external memory, such as an EPROM in a system under development, it would be a good idea to store the main program loop in the on-chip EEPROM. This approach allows routines in the external EPROM to be checked one at a time without reprogramming the external EPROM. If errors are discovered, a substitute corrected routine could be programmed into the EEPROM to check the corrections before erasing and reprogramming the external EPROM.

4.6.5 Logging Data

Data logging can involve several types of data. One traditional data type could be temperatures measured at specific times of day over a period of weeks or months. Other data types could include historical data, such as the number of times a device has been exposed to illegal operating conditions or the total accumulated time a device has been used. This type information can be useful for monitoring product reliability. When such a device is returned to the factory for repair, the historical data can be read out of the EEPROM. Even if batteries and other power sources failed, this information could be valid.

In this context, logging means to make a semi-permanent record of data not requiring power or other normal operating conditions to remain valid. In many cases, there is also an implication that the data is not accessible to the end user for modification (for instance, the end user cannot erase the data by simply removing a battery or unplugging the unit). The on-chip EEPROM of the MC68HC11A8 provides a convenient electronic medium for nonvolatile storage of logged data.

4.6.6 Self-Adjusting Systems Using EEPROM

One of the most interesting uses for EEPROM in an MCU system is to implement self-adjusting or self-adapting systems. A fairly simple form of self-adaptation would be a system that can calibrate or recalibrate a sensor as it ages. A more sophisticated form of self-adaptation would be a system that can modify its behavior to perform a desired task more efficiently as operating conditions change. The adaptation would be semi-permanent so the modified behavior would be in effect the next time the system was activated (as if the system had originally been programmed that way).

Potentially any process-control algorithm that includes a feedback mechanism for monitoring results could be programmed to improve itself through self-adaptation. Traditionally, process-control programs followed a fixed procedure, which was the result of experimentation and development by engineers. The MCU is an excellent tool for such work because it can quickly repeat complex sets of instructions, including precise timing, with flawless accuracy. Unfortunately, this type system often requires tight tolerances on other system components such as sensors and valves. Cheaper (less precise) components could be used if the system provides for calibration, but calibration is often time-consuming and expensive. As technology advanced, some systems were designed to automate the calibration process, thus making it practical to use less precise system components. For these automated systems, the calibration step was still performed outside the context of actual system use. With the M68HC11, it is practical to consider systems that systematically make small adjustments while monitoring end results. Depending on the application, the MCU could either suggest changes to a human operator or directly modify process-control parameters to maintain optimum end results. The nonvolatile EEPROM is a critical element in such adaptive algorithms because it can save what has been learned over a period of time, even if power is lost.

Consider using an adaptive algorithm in a system consisting of many tasks. High-priority tasks are executed quickly; whereas, low-priority tasks are delayed. One problem is to decide which tasks are most important, which can be accomplished by noting how many times a task

was actually needed over some period of time. A second problem is to find some nonvolatile way to maintain the list of high- and low-priority tasks. The main loop could be programmed into EEPROM, or the main program could call tasks indirectly through a list of task addresses in the EEPROM. A background program could monitor the activity and demands of various tasks and rearrange the priorities to match real application demands. As a task requests more frequent service, it could be elevated in priority, and as a high-priority task reduces its frequency of requests, it could be lowered in priority. In this manner, the tasks requiring the most frequent service would become the set of tasks that are serviced on every main loop pass. Although both the fixed priority and the dynamically adaptive priority schemes would accomplish the same amount of work, the adaptive scheme is more responsive. Because the learned priorities would remain in effect through power-off periods, the system would begin with these learned priorities. As system demands change, priorities would change to match system requirements.

4.6.7 Software Methods to Extend Life Expectancy

EEPROM memory is subject to a long-term wear-out mechanism. Though the detailed mechanics of the failure mechanism are still the subject of much research, the current understanding is that charge is trapped in the thin oxide layers isolating the floating gate of the EEPROM storage transistor. The charge is trapped during tunneling, which only occurs while programming or erasing an EEPROM bit. The life expectancy of an EEPROM bit is expressed as a number of write-erase cycles (such as 10,000 write-erase cycles). Changing a bit from 1 to 0 (write) followed by a change from 0 back to 1 (erase) is considered one write-erase cycle. As a bit accumulates trapped charge and approaches wear-out, the time required to program or erase the location gets longer until the allotted time is no longer enough to program or erase the location, which implies that some extension of life expectancy might be achieved by using longer programming and erase times. However, the same wear-out mechanism that causes longer programming time also causes reduced retention capability. Limited data has been collected to support the use of as much as 20 ms for program and erase times rather than the 10 ms suggested in the data sheets. A new MC68HC11A8

operating at 5 V and 2 MHz can typically program an EEPROM location in about 2 ms.

Many factors affect the useful life expectancy of an EEPROM location. Programming or erasing an EEPROM location at high ambient temperature accelerates wear-out. The Motorola reliability figures are based on all program and erase operations occurring at worst-case ambient temperature, but no realistic application would experience such harsh conditions. Temperature has a dramatic effect on write-erase endurance. An EEPROM having a life expectancy of 5,000 write-erase cycles at 125°C typically has a life expectancy of 100,000 write-erase cycles at 55°C. Motorola publishes a quarterly reliability report which includes the latest life-expectancy data for this rapidly changing technology. The quality of the thin oxides (processing) is maintained at a very high level, but there is still some lot-to-lot variation affecting write-erase endurance. The belief is that charge is more easily trapped at sites where the oxide lattice structure is imperfect.

The method recommended in Motorola data sheets for changing an EEPROM byte from one data value (other than \$FF) to another is to erase the location before programming the new value. In this manual, this method will be called "erase-before-write." When the new data value contains no 1s where there is currently a 0 in the EEPROM location (no bits need to be erased), there are two additional methods of arriving at the desired value without first erasing the EEPROM location. The first of these methods is called "program-more-zeros." To program more zeros, the new value would be programmed into the EEPROM location. Bits previously not programmed will be programmed to 0, and bits already 0 remain programmed. The second method, which does not involve erasure of the location before reprogramming, is called "selective-write." In the selective-write method, a value is calculated that contains 0s in bits needing to change from 1 to 0 and contains 1s in all other bits. This calculated value is programmed to the EEPROM location. The bits corresponding to 0s in the calculated pattern become programmed to 0s. The bits already programmed are not reprogrammed but remain 0s. The bits that were not 0s in the old or new data values are not programmed and remain 1s. The theoretical objective of the selective-write method is to avoid programming some bits longer than others.

The erase-before-write method is used in production testing and for ongoing reliability monitoring. Every part that Motorola ships is exposed to a significant number of write-erase cycles at high temperature to eliminate parts having infant mortality problems and to identify any lots having processing problems. In addition, sample batches of parts are endurance tested to monitor processing quality. Data sheet and reliability figures are based on the erase-before-write method.

A problem in production testing was traced to an unsuccessful attempt to program an EEPROM location, which unintentionally employed a composite of the program-more-zeros and the selective-write methods. An attempt was made to program an EEPROM location with \$FC when the location previously contained the value \$0D. From what has been said about EEPROM programming and the program-more-zeros and selective-write methods, one would expect that the location would change to \$0C. In practice, the operation fails if the location was previously \$0D but passes if the location was previously \$FF. This table shows the situation more clearly.

Value	Case A — Fail	Case B — Pass
Original value	0000 1101	1111 1111
Value written	1111 1100	1111 1100
Expected result	0000 1100	1111 1100
Tester read	0000 1101	0000 1100

The expected value shows the value one should expect to get as a result of an attempt to program the value written to an EEPROM location already containing the original value. The tester-read value shows what the tester read from the location after the attempted programming operation. Case B looks odd because the upper four bits are 0s where 1s are expected because the location involved was the CONFIG register. Reads of the CONFIG register of an MC68HC11A8 return 0s in the upper four bits, regardless of what is in the upper four bits of the physical EEPROM location. Parts that failed (case A) were initially thought to have a defective bit 0 in the CONFIG register EEPROM location; however, the real problem was finally discovered to be the unintentional combination of the program-more-zeros and selective-write methods. Bit 1 is a 0 in the original value and the value

written (like the program-more-zeros method). The upper four bits are 0s in the original value and 1s in the value written (like the selective-write method). Case B, which always works, is equivalent to the erase-before-write method.

NOTE: *Because the user has no way of knowing what is in the upper four bits of the CONFIG register EEPROM location, the calculated value for the selective-write method cannot be determined. Thus, the selective-write method cannot be used for the CONFIG location. Since the CONFIG location is only changed a few times in the lifetime of a product, there is no motivation to use any method other than erase-before-write to change the CONFIG location.*

An examination of the electrical conditions during each of the programming methods explains why the combination of write-more-zeros method and selective-write method fails as it did in case A. This analysis also presents possible advantages and disadvantages of these programming methods. The basic operation of the floating-gate EEPROM is discussed in [4.5.2 Basic Operation of the EEPROM](#). [Figure 4-9](#) demonstrates the erase-before-write method. One disadvantage of this method is that it requires a time-consuming erase step prior to the programming step. One advantage of this method is that it can be used to change any data pattern to any other data pattern. Another advantage is that this method is the same as that used for rating the write-erase life expectancy; thus, much characterization data exists to validate this method.

The goal of the other two methods is to achieve a longer life expectancy without compromising data retention or programming integrity. The program-more-zeros method appears to have no risks, and some experimental evidence shows that data retention and program integrity are not compromised. The selective-write method appears to have some theoretical problems, but experimental data has not confirmed any practical problem. Due to the theoretical risks of the selective-write method, that method should probably not be used without a complete understanding of the risks.

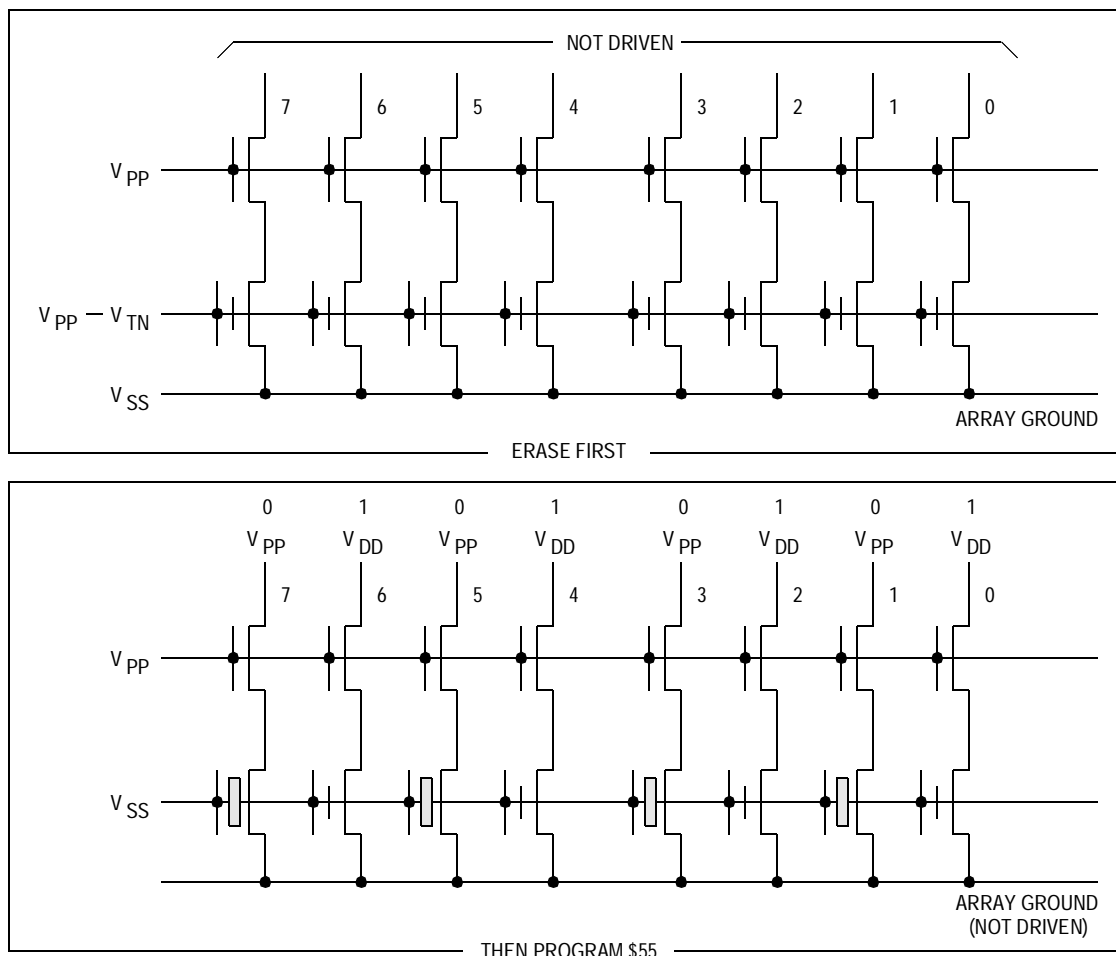


Figure 4-9. Erase-Before-Write Programming Method

Figure 4-10 shows the program-more-zeros method being used to change an EEPROM location from \$F0 to \$C0. In this example, the low-order four bits were previously programmed, and the current programming operation will change bits 4 and 5 to 0s.

It has been suggested that it might be undesirable to program some bits longer than other bits. Since charge transfer during programming occurs at an exponentially decaying rate, it seems unlikely that the additional programming time would result in any significant difference in floating-gate charge. Only considerable characterization data can prove or disprove these theories, but preliminary data supports the suggestion that the extra programming time on some bits has no detrimental effects.

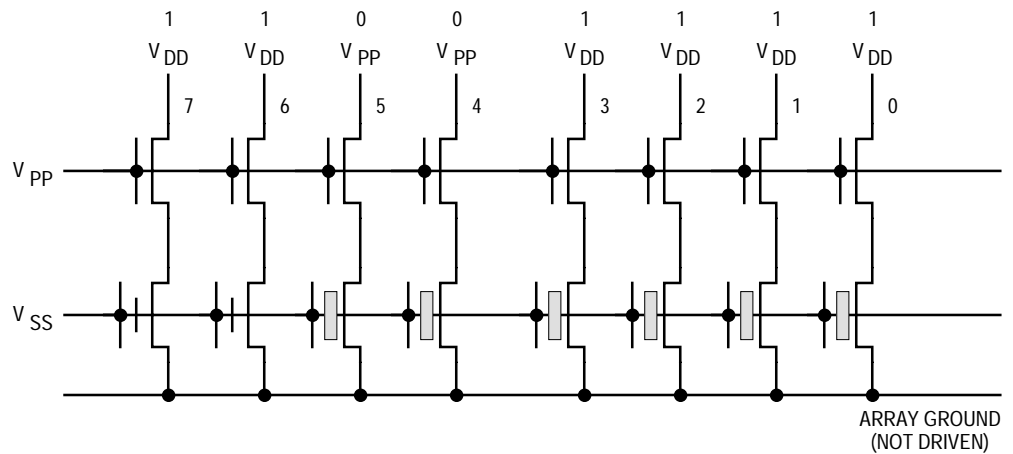


Figure 4-10. Program-More-Zeros Programming Method

Figure 4-11 shows the selective-write method being used to change an EEPROM location from \$F0 to \$C0. The calculated data pattern, \$CF, was written to the location during this programming operation (note the data pattern and voltage levels across the top of the diagram). The floating gates are highlighted for the bits that should be programmed to 0 after the operation. The floating gates of the programmed bits are positively charged so these floating-gate transistors conduct, which introduces an interesting question. For bits [3:0], there is a conductive path from V_{DD} to the array ground node. After programming, bits 4 and 5 have a conductive path from V_{PP} to the array ground node. Since there is effectively a conductive path from V_{DD} to V_{PP} , how does the selective-write method work? Experimental results for this method are good; however, additional study is required.

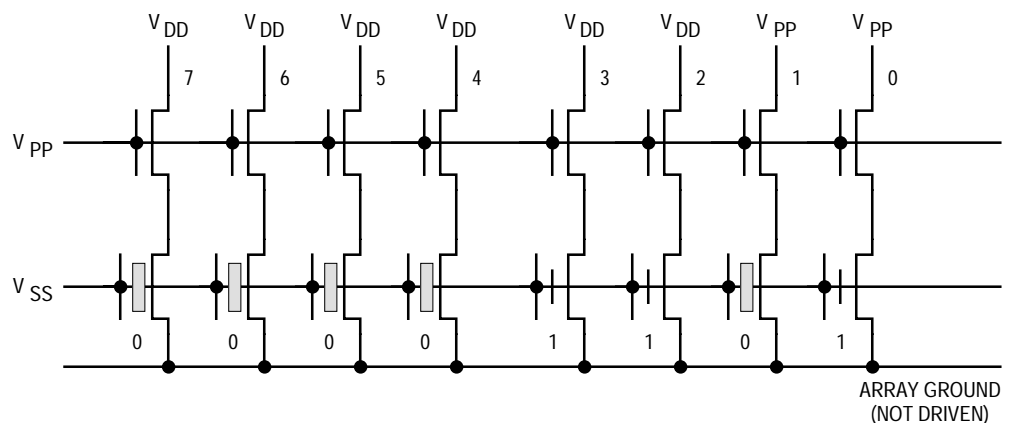


Figure 4-11. Selective-Write Programming Method

The production testing failure provides some additional information about the selective-write method but does not answer all the questions. **Figure 4-12** shows the voltages driving the EEPROM bits during the production test failure. The location was previously programmed to \$0D, as indicated by the highlighted floating gates. The bit pattern and voltages across the top of **Figure 4-12** reflect the \$FC value that was written to the location during this programming operation. This programming operation was expected to cause bit 0 to be programmed, but the operation failed (indicated by the bit 0 floating gate not highlighted). This operation fails because there is already a conductive path from V_{DD} to V_{PP} at the start of the programming operation. Since the weak V_{PP} supply is shunted to V_{DD} , no programming can occur.

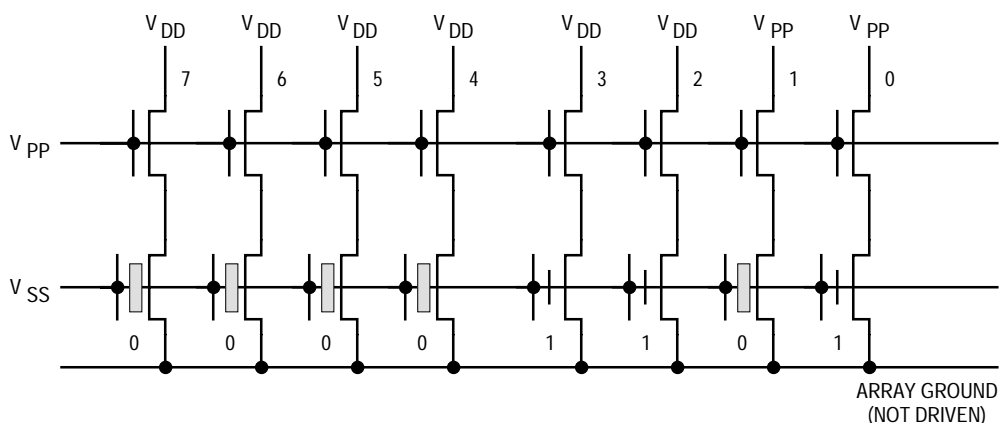


Figure 4-12. Composite Programming Method

The failure of the composite programming case verifies that the conductive paths exist from V_{DD} to the array ground and from V_{PP} to the array ground. The failure also shows that these conductive paths are capable of shunting V_{PP} to a low enough level to prevent programming.

V_{PP} comes from a charge pump having very little drive-current capability. It is not surprising that V_{PP} could be effectively shorted to V_{DD} without producing any noticeable load to V_{DD} . In the selective-write method (see **Figure 4-11**), the path from V_{DD} to the array ground is conductive from the beginning of the operation. The path from V_{PP} to the array ground (through the bits being programmed) does not become conductive until these floating gates are charged to a high enough positive level for the floating-gate transistor to become conductive. It

may be that the shunting path does not develop until the bits have already finished programming. If two or more new bits are being programmed and one were to become programmed (conductive) before the other(s), V_{PP} might become shunted before the other bit(s) could finish being programmed. One possible reason this unequal programming problem does not arise is because the bits in a byte are so physically close to each other that they should have nearly identical properties.

The selective-write method may result in soft programming. The shunt path may develop so late in the programming process that the bits are programmed well enough to be read back as 1s but not well enough to provide reliable data retention. On the other hand, soft programming might be beneficial by limiting the stress on the thin oxides. The selective-write strategy should be viewed with skepticism until additional study can prove it has merit.

In most cases, EEPROM locations are only exposed to a few write-erase cycles in the lifetime of a product. In some applications, a few variables need to endure several hundred thousand write-erase cycles (for example, the odometer reading in an automobile). Since only a few variables require these extended write-erase cycle lifetimes, it is practical to consider solutions involving the use of multiple EEPROM locations for the storage of each such variable. Using an EEPROM location as an ordinary binary counter is perhaps the worst case for EEPROM wear-out because the least significant bit toggles at every count; thus, the EEPROM location must be erased and reprogrammed at each count and is exposed to one write-erase cycle for every two counts.

A count value could be encoded so that an EEPROM location could be programmed eight times by the program-more-zeros method before it has to be erased. In such a scheme, the EEPROM location would only experience one write-erase cycle every eight counts. This scheme of bit-position coding would be needed only for the low-order bits of a counter since the high-order bits change much less frequently.

To extend the write-erase lifetime of a variable even further, using multiple EEPROM locations would allow switching to a different location

when the current location approached wear-out. The problem is to decide when a location is approaching wear-out.

Counting the number of times the location has been changed has two problems. First, there is no good way of storing the usage count in EEPROM without wearing out the usage count location in the same way as the location being monitored. Second, if 10,000 is used as the nominal life-expectancy number, the user may actually wear out the location sooner than expected and fail, or he may not actually be using the location to its potential. The life expectancy is approximately 100,000 write-erase cycles at 55°C even though it is only 5,000 at 125°C.

Section 5. Resets and Interrupts

5.1 Contents

5.2	Introduction	160
5.3	Initial Conditions Established During Reset	161
5.3.1	System Initial Conditions	162
5.3.1.1	Central Processor Unit (CPU)	162
5.3.1.2	Memory Map	162
5.3.1.3	Parallel Input/Output (I/O)	162
5.3.1.4	Timer	163
5.3.1.5	Real-Time Interrupt	163
5.3.1.6	Pulse Accumulator	163
5.3.1.7	Computer Operating Properly (COP) Watchdog	164
5.3.1.8	Serial Communications Interface (SCI)	164
5.3.1.9	Serial Peripheral Interface (SPI)	164
5.3.1.10	Analog-to-Digital (A/D) Converter	164
5.3.1.11	Other System Controls.	165
5.3.2	CONFIG Register Allows Flexible Configuration	165
5.3.3	Mode of Operation Established	166
5.3.4	Program Counter Loaded with Reset Vector	167
5.4	Causes of Reset	167
5.4.1	Power-On Reset (POR)	169
5.4.2	COP Watchdog Timer Reset	170
5.4.3	Clock Monitor Reset	172
5.4.4	External Reset	174
5.5	Interrupt Process	175
5.5.1	Interrupt Recognition and Stacking Registers	177
5.5.2	Selecting Interrupt Vectors	178
5.5.3	Return from Interrupt	181

5.6	Non-Maskable Interrupts	181
5.6.1	Non-Maskable Interrupt Request (\overline{XIRQ})	186
5.6.2	Illegal Opcode Fetch	188
5.6.3	Software Interrupt	189
5.7	Maskable Interrupts	190
5.7.1	I Bit in the Condition Code Register	190
5.7.2	Special Considerations for I-Bit-Related Instructions	192
5.8	Interrupt Request	192
5.8.1	Selecting Edge Triggering or Level Triggering	193
5.8.2	Sharing Vector with Handshake I/O Interrupts	194
5.9	Interrupts from Internal Peripheral Subsystems	195
5.9.1	Inhibiting Individual Sources	195
5.9.2	Clearing Interrupt Status Flag Bits	195
5.9.3	Automatic Clearing Mechanisms on Some Flags	196

5.2 Introduction

Reset and interrupt operations are often discussed together because they share the common concept of vector fetching to force a new starting point for further central processor unit (CPU) operations. The reset structure in the MC68HC11A8, which is quite different from other MCUs, is presented in this section. This reset system can generate a reset output if reset-causing conditions are detected by internal systems. The on-chip electrically erasable programmable read-only memory (EEPROM) also places extra demands on external circuitry connected to the \overline{RESET} pin.

The MC68HC11A8 includes 18 separate interrupt sources. On-chip peripheral systems generate maskable interrupts, which are recognized only if the global interrupt mask bit (I) in the condition code register (CCR) is clear. Three interrupt sources considered non-maskable will be discussed in detail in this section.

Maskable interrupts are prioritized according to a default arrangement; however, any one source may be elevated to the highest maskable priority position by a software-accessible control register. This highest

priority interrupt (HPRIO) register may be written at any time provided the I bit in the CCR is set.

When interrupt conditions occur in an on-chip peripheral system, an interrupt status flag is set to indicate the condition. When the user's program has properly responded to this interrupt request, the status flag must be cleared. The method of clearing varies from one system to another, depending on the requirements of the system. The various flag clearing methods and considerations are discussed in [5.9 Interrupts from Internal Peripheral Subsystems](#).

5.3 Initial Conditions Established During Reset

Reset is used to force the microcontroller unit (MCU) to assume a set of initial conditions and to begin executing instructions from a predetermined starting address. For most practical applications, the initial conditions take effect almost immediately after applying an active-low level to the $\overline{\text{RESET}}$ pin. Some reset conditions cannot take effect until/unless a clock is applied to the external clock input (EXTAL) pin. One example is port B, which acts as an address output port in the expanded modes and as a general-purpose output port in the single-chip modes. During reset in expanded mode, these pins would be \$FF because this is the high-order half of \$FFFE. During reset in single-chip mode, these pins would be \$00. Since the mode pins are pipelined into the MCU, a clock is needed for the MCU to recognize the mode selected.

If no clock is present, the port B pins could be in the wrong state due to the inability of the MCU to recognize the correct mode of operation. If no clock is present, the MCU cannot advance out of the reset condition since internal reset is a clocked sequence; thus, the MCU cannot advance past the first step of this sequence. Even with no clock present, a $\overline{\text{RESET}}$ signal will cause some changes. Most important, an unlocked $\overline{\text{RESET}}$ signal resets the clock divider circuitry so the on-chip oscillator will start. If an application includes external clock circuitry driving the EXTAL pin, the $\overline{\text{RESET}}$ signal should force this external clock to resume oscillation.

5.3.1 System Initial Conditions

Once the reset condition is recognized, internal registers and control bits are forced to an initial state. These initial states, in turn, control on-chip peripheral systems to force them to known start-up states. Most of the initial conditions are independent of the operating mode. This subsection summarizes the initial conditions of the MCU as it leaves reset.

5.3.1.1 Central Processor Unit (CPU)

After reset, the CPU fetches the restart vector from locations \$FFFE,FFFF (\$BFFE,BFFF if in special test or bootstrap mode) during the first three cycles and begins executing instructions. The stack pointer and other CPU registers are indeterminate immediately after reset; however, the X and I interrupt mask bits in the CCR are set to mask any interrupt requests. Also, the S bit in the CCR is set to disable the stop mode.

5.3.1.2 Memory Map

After reset, the RAM and I/O mapping (INIT) register is initialized to \$01, putting the 256 bytes of random-access memory (RAM) at locations \$0000–\$00FF and the control registers at locations \$1000–\$103F. The 8-Kbyte read-only memory (ROM) and/or the 512-byte EEPROM may or may not be present in the memory map because the two bits that enable them in the configuration control (CONFIG) register are EEPROM cells not affected by reset or power-down.

5.3.1.3 Parallel Input/Output (I/O)

When a reset occurs in expanded-multiplexed operating mode, the 18 pins used for handshake I/O are dedicated to the expansion bus. If a reset occurs in the single-chip operating mode, the strobe A flag (STAF), strobe A interrupt (STAI), and handshake (HNDS) control bits in the parallel input/output control (PIOC) register are cleared so that no interrupt is pending or enabled, and the simple strobed mode (rather than full-handshake mode) of parallel I/O is selected. The port C wired-OR mode (CWOM) bit in PIOC is cleared. Port C is initialized as an input port (data direction register for port C, DDRC = \$00); port B is a

general-purpose output port with all bits cleared. STRA is the edge-sensitive strobe A input, and the active edge is initially configured to detect rising edges (edge select for strobe A (EGA) bit in PIOC is set). Port C, port D (bits 5–0), port A (bits 0, 1, 2, and 7), and port E are configured as general-purpose high-impedance inputs. Port B and bits 6–3 of port A have their directions fixed as outputs, and their reset state is logic 0.

5.3.1.4 *Timer*

During reset, the timer system is initialized to a count of \$0000. The prescaler bits are cleared, and all output-compare registers are initialized to \$FFFF. All input-capture registers are indeterminate after reset. The output-compare 1 (OC1M) mask register is cleared so that successful OC1 compares do not affect any I/O pins. The other four output compares are configured to not affect any I/O pins on successful compares. All three input-capture edge-detector circuits are configured for capture-disabled operation. The timer overflow interrupt flag and all eight timer function interrupt flags are cleared. All nine timer interrupts are disabled since their mask bits are cleared.

5.3.1.5 *Real-Time Interrupt*

The real-time interrupt flag is cleared, and automatic hardware interrupts are masked. The rate control bits are cleared after reset and may be initialized by software before the real-time interrupt system is used.

5.3.1.6 *Pulse Accumulator*

The pulse accumulator system is disabled at reset so that the pulse accumulator input (PAI) pin defaults to being a general-purpose input pin.

5.3.1.7 Computer Operating Properly (COP) Watchdog

The computer operating properly (COP) watchdog system is enabled if the NOCOP control bit in the CONFIG register (EEPROM cell) is clear and disabled if NOCOP is set. The COP rate is set for the shortest duration timeout.

5.3.1.8 Serial Communications Interface (SCI)

The reset condition of the SCI system is independent of the operating mode. At reset, the SCI baud rate is indeterminate and must be established by a software write to the BAUD register. All transmit and receive interrupts are masked, and both the transmitter and receiver are disabled so the port pins default to being general-purpose I/O lines. The SCI frame format is initialized to an 8-bit character size. The send break and receiver wakeup functions are disabled. The transmit data register empty (TDRE) and transmit complete (TC) status bits in the SCI status register are both set, indicating that there is no transmit data in either the transmit data register or the transmit serial shift register. The receive data register full (RDRF), IDLE, overrun (OR), and framing error (FE) receive-related status bits are all cleared. Upon reset in special bootstrap mode, execution begins in the 192-byte bootstrap ROM, which changes some of the initial conditions by the time the bootloading process is finished. This firmware sets port D to wired-OR mode, establishes a baud rate, and enables the SCI receiver and transmitter.

5.3.1.9 Serial Peripheral Interface (SPI)

The SPI system is disabled by reset. The port pins associated with this function default to being general-purpose I/O lines.

5.3.1.10 Analog-to-Digital (A/D) Converter

The A/D converter system configuration is indeterminate after reset. The conversion complete flag is cleared by reset. The A/D power-up (ADPU) bit is cleared by reset, disabling the A/D system.

5.3.1.11 Other System Controls

The EEPROM programming controls are all disabled so the memory system is configured for normal read operation. The highest priority I-bit interrupt defaults to being the external interrupt request ($\overline{\text{IRQ}}$) pin by PSEL3–PSEL0 equal to 0:1:0:1. The $\overline{\text{IRQ}}$ pin is configured for level-sensitive operation (for wired-OR systems). The read bootstrap ROM (RBOOT), special mode (SMOD), and mode A (MDA) bits in the HPRIO register reflect the status of the mode B (MODB) and MODA inputs at the rising edge of reset. The enable oscillator start-up delay (DLY) control bit is set to specify that an oscillator start-up delay is imposed upon recovery from STOP mode. The clock monitor system is disabled by clock monitor enable (CME) equals 0.

The MC68HC11A8 has three internal sources that can cause reset as well as the external application of a low level to the $\overline{\text{RESET}}$ pin. No matter which of these sources causes reset, the entire MCU is reset. The $\overline{\text{RESET}}$ pin is driven low as a result of any of the reset sources. The only distinction that is made between the causes of reset is the reset vector, which is used to tell the CPU the starting address for execution when reset is released.

A few registers are not forced to a startup condition as a result of reset. Since these registers do not affect the starting conditions at MCU pins, it is not important to force them to a startup state during reset. One such example is the main-timer input-capture registers. Since these registers are not useful until after an input capture occurs, it is not important to force them to a startup state during reset.

5.3.2 CONFIG Register Allows Flexible Configuration

The M68HC11 includes a nonvolatile CONFIG register, which controls a number of options typically controlled by mask options or by additional mode selection choices in other MCUs. By using a nonvolatile EEPROM-based register, it is possible to achieve the same effects as if the options were mask programmed and, at the same time, allow users to change these features after the MCU is manufactured. The most important aspect of this method of selecting options is that the selections automatically take effect on any power-up or reset without any software

intervention. Two classes of features can be controlled in this manner. First, there are configuration choices that must inherently be made before the reset vector is even fetched. For example, the ROM enable must be decided so that the reset vector can be fetched out of the correct memory as the MCU comes out of reset. The COP watchdog timer enable is an example of the second class of features that can be controlled by an EEPROM bit. The COP watchdog timer is intended to detect software failures; thus, it is important to enable or disable this feature without any software intervention. If software could disable or was required to enable the COP watchdog, the COP watchdog timer could not detect a failure of that software.

The CONFIG register controls the presence or absence of ROM and/or EEPROM, enables/disables the COP watchdog timer, and engages/disengages the security option. The CONFIG register and mechanism are described in greater detail in [3.4.1 Operation of CONFIG Mechanism](#). The features enabled by the CONFIG register can be thought of as mask-programmed options that do not require software service.

5.3.3 Mode of Operation Established

During reset, the basic mode of operation is established, which determines whether the MCU will operate as a self-contained single-chip system or as an expanded system that includes external memory resources. There are also special variations of these two basic modes of operation. The bootstrap mode is the special variation of the normal single-chip mode, and the special test mode is the special variation of the normal expanded mode. The levels on the two mode select pins during reset determine which of these four modes of operation will be selected.

The hardware mode select mechanism begins with the logic levels on the MODA and MODB pins while the MCU is in the reset state. The logic levels on the MODA and MODB pins are fed into the MCU via a clocked pipeline path. The captured levels will be those that were present part of a clock cycle before the $\overline{\text{RESET}}$ pin rose. This fact ensures a 0 hold-time requirement on the mode select pins relative to the rising edge at the

$\overline{\text{RESET}}$ pin. The captured levels determine the logic state of the SMOD and MDA control bits in the HPRIO register. These two control bits actually control the logic circuits involved in hardware mode selection. **Table 5-1** summarizes the operation of the mode pins and mode control bits.

Table 5-1. Hardware Mode Select Summary

Inputs		Mode Description	Control Bits in HPRIO (Latched at Reset)			
MODB	MODA		RBOOT	SMOD	MDA	IRV
1	0	Normal single chip	0	0	0	0
1	1	Normal expanded	0	0	1	0
0	0	Special bootstrap	1	1	0	1
0	1	Special test	0	1	1	1

5.3.4 Program Counter Loaded with Reset Vector

As reset is released, the CPU program counter is loaded with the reset vector that points to the first instruction in the user's program. Depending on the cause of reset and the mode of operation, the reset vector may be fetched from any of six possible locations. In older Motorola MCUs, there was only one reset vector at \$FFFE,FFFF.

5.4 Causes of Reset

In the MC68HC11A8, on-chip systems can detect MCU system failures and generate a low level out the $\overline{\text{RESET}}$ pin to reinitialize other peripherals in the system. To distinguish between these causes, separate reset vectors are used. The primary reset vector is used when the cause of reset is the internal power-on reset circuit or application of a low level to the $\overline{\text{RESET}}$ pin. In normal expanded and normal single-chip modes, this vector is located at \$FFFE,FFFF. If the oscillator input stops or is running too slow, the clock monitor circuit will generate a reset (provided the clock monitor is enabled). Timeout of the internal COP watchdog timer will generate a reset (provided the COP system is

enabled). **Table 5-2** summarizes the reset-vector locations versus the cause of reset and mode of operation.

Table 5-2. Reset Vector versus Cause and MCU Mode

Cause of Reset	Normal Mode Vector	Special Test or Bootstrap Vector
POR or $\overline{\text{RESET}}$ pin	\$FFFE,FFFF	\$BFFE,BFFF
Clock monitor fail	\$FFFC,FFFD	\$BFFC,BFFD
COP watchdog timeout	\$FFFA,FFFB	\$BFFA,BFFB

In special test and bootstrap modes, MCU vectors are located at \$BFC0–\$BFFF rather than the normal \$FFC0–\$FFFF area. The primary reason for this change is to be sure the reset vector can be supplied from an external source in special test mode. The normal reset vector is located at \$FFFE,FFFF, which can be internal ROM or external memory space (depending on whether the internal ROM is enabled). The special test mode reset vector is at \$BFFE,BFFF, which is always an external access independent of other system conditions.

This alternate mapping is important to the operation of bootstrap mode because it allows reset and other vectors to be located within the 192-byte bootloader ROM. As the MCU comes out of reset in special bootstrap mode, the reset vector is fetched out of the bootloader ROM, and execution begins at the start of the bootloader program. While in bootstrap mode, interrupts can be vectored to locations in the bootloaded program in RAM rather than vectoring to the routines specified in the internal ROM program.

The M68HC11 MCU is capable of distinguishing between an external reset and resets from the internal COP and clock monitor systems. When the COP watchdog timer times out or the clock monitor detects a clock failure, the COP and clock monitor status is temporarily saved. The $\overline{\text{RESET}}$ pin is then driven low for about four E-clock cycles and is released. Two E-clock cycles later, the $\overline{\text{RESET}}$ input is sampled. If $\overline{\text{RESET}}$ is high (has risen to logic 1 within the two cycles since it was released), the source of reset is presumed to be either the COP or clock monitor system. If $\overline{\text{RESET}}$ is still low, the source is presumed to be an external reset request, and the temporarily saved status from the COP

and clock monitor systems is erased. Although there would rarely be more than one cause for a particular reset sequence, the three reset vectors are prioritized. If an external reset request drives the RESET pin low for less than four E-clock cycles, the differentiation logic could assume the source of reset was the internal COP or clock monitor system; however, as long as neither of these causes was indicated by the temporarily latched status, the normal reset vector would still be used by default. Although this MCU can differentiate between different reset causes, the most common implementation would direct all reset vectors to the same initialization software, regardless of the cause of reset.

There are four possible sources of reset in the MC68HC11A8. An internal circuit detects the rising edge on V_{DD} and initiates a power-on reset. An on-chip COP watchdog timer monitors proper software execution; if software does not service this timer within its timeout period, a system reset is generated. Another on-chip circuit monitors the MCU clock frequency. If the MCU clock stops or is running too slow, a system reset is generated. Finally, a user can initiate an external reset by momentarily driving the RESET pin low. The COP and clock monitor features can be disabled. The power-on reset and external reset share the normal reset vector; whereas, the COP and clock monitor reset each have their own vector. The four causes of reset are described in greater detail in the following paragraphs.

5.4.1 Power-On Reset (POR)

The POR is only intended to initialize internal MCU circuits. As V_{DD} is applied to the MCU, the POR circuit triggers and initiates a reset sequence. POR triggers an internal timing circuit that holds the RESET pin low for 4064 cycles of the internal PH2 clock. The MCU does not advance past this reset condition until a clock is present at the EXTAL pin long enough for these 4064-cycle PH2 clocks to be detected. The internal POR circuit will not retrigger unless V_{DD} has discharged to 0 V; therefore, the internal POR circuit is not suitable as a power-loss detector.

In almost all M68HC11 systems, there will be an external circuit to hold the $\overline{\text{RESET}}$ pin low whenever V_{DD} is below normal operating level. This external voltage-level detector or other external reset circuits are the normal source of reset in a system; the internal POR circuit only serves to initialize internal control circuitry during cold starts.

In some unusual applications, it may be desirable to hold $\overline{\text{RESET}}$ low long enough for the oscillator to reach stable operating frequency. This stable operating frequency is not a requirement of the MCU because the M68HC11 is a fully static design, which can operate correctly even when the oscillator has not reached stable operating frequency. If the oscillator has not reached stable operating frequency by the time $\overline{\text{RESET}}$ is released, software and timed delays will be longer than expected since these delays are based on the oscillator frequency. In most applications, such errors within the first few milliseconds of operation are of no concern, and no external power-on delay is necessary. In cases where timing is critical immediately out of $\overline{\text{RESET}}$, an external POR circuit must be provided. The required amount of delay depends on the oscillator startup time, which varies with the frequency and design of the oscillator as well as such things as V_{DD} rise time. In a typical M68HC11 design with an E-clock frequency of 2 MHz, the internal POR will only hold $\overline{\text{RESET}}$ low for about 2 ms after oscillator start. With an 8-MHz crystal, the M68HC11 oscillator will typically start when V_{DD} reaches about 1 V. For a typical V_{DD} rise time, the internal POR times out well before V_{DD} reaches an acceptable level. Thus, POR alone is rarely able to provide for all reset needs, and some external reset circuitry will be required.

5.4.2 COP Watchdog Timer Reset

The COP watchdog timer system is intended to detect software processing errors. When the COP is being used, software is responsible for keeping a free-running watchdog timer from timing out. If the watchdog timer times out, it is an indication that software is no longer being executed in the intended sequence; thus, a system reset is initiated.

The COP system is enabled or disabled, depending on the state of the NOCOP bit in the CONFIG register. This enable is like a mask option in that it is effective immediately out of reset and is not dependent on any software action. Unlike a programmed mask option, the COP enable may be changed by the end user. The requirements for changing the enable bit are designed so the NOCOP bit is very unlikely to be changed by accident in the end system. The only way to change the enable status of the COP system is to change the contents of the EEPROM-based CONFIG register. Even after the NOCOP bit is changed, the MCU must be reset before the new status becomes effective. In the special test and bootstrap operating modes, the COP system is initially inhibited by the disable resets (DISR) control bit in the TEST1 register. The DISR bit can be written to 0 to enable COP resets while the MCU is in special test or bootstrap operating mode.

The COP timeout period is set by the COP timer rate control bits (CR1 and CR0) in the configuration options (OPTION) register. After reset, these bits are both 0, which selects the fastest timeout period. The MCU internal E clock is first divided by 2^{15} before it enters the COP watchdog system. The CR1 and CR0 bits control a further scaling factor for the watchdog timer (see [Table 5-3](#)). The columns at the right of the table show the resulting watchdog timeout periods for three typical oscillator frequencies. In normal operating modes, these bits can be written once only, and that write must be within 64 bus cycles after reset.

Table 5-3. Watchdog Rates versus Crystal Frequency

CR1	CR0	E ÷ 2 ¹⁵ Divided By	Crystal Frequency		
			2 ²³ Hz	8 MHz	4 MHz
			Nominal Timeout		
0	0	1	15.625 ms	16.384 ms	32.768 ms
0	1	4	62.5 ms	65.536 ms	131.07 ms
1	0	16	250 ms	262.14 ms	524.29 ms
1	1	64	1 s	1.049 s	2.1 s
			2.1 MHz	2 MHz	1 MHz
Bus frequency (E clock)					

The COP timer must be reset by a software sequence prior to timeout to avoid a COP reset. The software COP reset is a 2-step sequence. The first step is to write \$55 to the COPRST register to arm the COP timer-clearing mechanism. The second step is to write \$AA to the COPRST register, which clears the COP timer. Any number of instructions can be performed between these two steps as long as both steps are performed in the correct sequence before the timer times out. This reset sequence is sometimes referred to as servicing the COP timer.

Since the COP timer is based on the MCU clock, the COP watchdog cannot detect errors that cause the MCU clock to stop. The clock monitor system (see [5.4.3 Clock Monitor Reset](#)) can be used as a backup for COP to force a system reset if the MCU clocks stop.

Placing the COP service instructions in an interrupt service routine is bad practice. In such a case, the interrupt could occur often enough to keep the COP system satisfied even if the main-line program was no longer functioning.

The implementation of the COP timer causes a tolerance on the timeout period. The $E \div 2^{15}$ clock into the COP system is free-running and, for practical purposes, is asynchronous to the COP service software. All additional divider stages in the COP timer are reset each time the COP service sequence is performed. There is an uncertainty about when the first $E \div 2^{15}$ clock will reach the COP timer stages. This uncertainty causes the specified timeout period to have a tolerance of minus zero to plus one cycle of the $E \div 2^{15}$ clock. This tolerance varies with E-clock frequency but does not change with respect to the COP rate selected by the CR1 and CR0 bits. [Figure 10-4. Major Clock Divider Chains in the MC68HC11A8](#) and [10.4.3 Computer Operating Properly \(COP\) Watchdog Function](#) contain additional information about this clocking structure.

5.4.3 Clock Monitor Reset

The clock monitor circuit is based on an internal resistor-capacitor (RC) time delay. If no MCU clock edges are detected within this RC time delay, the clock monitor can optionally generate a system reset. The

clock monitor function is enabled/disabled by the CME control bit in the OPTION register. This timeout is based on an RC delay so that the clock monitor can operate without any MCU clocks.

Processing variations cause the RC timeout to vary somewhat from lot to lot and part to part. An E-clock frequency below 10 kHz will definitely be detected as a clock monitor error. An E-clock frequency of 200 kHz or more will prevent clock monitor errors. Any system operating below 200 kHz E-clock frequency should not use the clock monitor function.

When the clock monitor is enabled and the MCU clocks slow down or stop, a system reset is generated. The bidirectional RESET pin is driven low to reset the external system and the MCU. Clock monitor has a separate reset vector from COP reset and external reset to enable software to determine the cause of reset. While the MCU is in special test or bootstrap mode, resets from the COP and clock monitor systems are initially disabled by a 1 in the DISR bit in the TEST1 register. While still in the special operating modes, COP and clock monitor resets can be re-enabled by writing the DISR control bit to 0. In normal operating modes, the DISR bit is forced to 0 and cannot be set to 1.

Clock monitor is often used as a backup for the COP watchdog system. Since the COP needs a clock to function, it is unable to function if the clocks stop. In such a case, the clock monitor system could detect clock failures not detected by the COP system.

Another use for the clock monitor is to protect against the unintentional execution of the STOP instruction. Some applications view the STOP instruction as a serious problem because it causes MCU clocks to stop, thus disabling all software execution and on-chip peripheral functions. A stop disable bit (S) in the CCR is the first line of defense against unwanted STOP instructions. While the S bit is 1, the STOP instruction acts as a no-operation (NOP) instruction, which does not interfere with MCU clock operation. Clock monitor can provide an additional level of protection by generating a system reset if the MCU clocks are accidentally stopped.

It is possible to use the clock monitor in systems that also use the STOP instruction. In such a system, the CME control bit would be written to 0 to disable the clock monitor prior to executing an intentional STOP

instruction. After recovery from STOP, the CME bit would be written to 1 to enable the clock monitor during normal execution.

The reset sequence is a clocked operation; whereas, clock monitor resets are generated when the clocks stop. In many cases, the low level on $\overline{\text{RESET}}$ will correct the cause of the stopped MCU clocks, and recovery can proceed much as in the COP reset case. In cases where the MCU clocks do not resume as a result of the clock monitor reset, the driven low level at the $\overline{\text{RESET}}$ pin will remain indefinitely.

5.4.4 External Reset

In addition to the internal sources, reset can be forced by applying a low level to the $\overline{\text{RESET}}$ pin. The resulting reset sequence is identical to the internal causes. Upon recognition of the reset request, internal logic turns on an internal N-channel device, which actively holds the $\overline{\text{RESET}}$ pin low for about four cycles. In a normal system, the external source of $\overline{\text{RESET}}$ would be redundantly driving the pin low during this time and would continue to hold the pin low longer than this four cycles. Two E-clock cycles after the internal N-channel driver releases the pin, the $\overline{\text{RESET}}$ pin is sampled. A low level at this time indicates the reset was caused by some external source. When the $\overline{\text{RESET}}$ pin is eventually released, the normal reset vector is fetched and processing begins.

In all cases of reset, the internal N-channel device holds the $\overline{\text{RESET}}$ pin low for at least four E-clock cycles. All resets cause internal registers and on-chip peripherals to be re-initialized. The only difference between causes of reset is the vector locations used.

In the abnormal case where the $\overline{\text{RESET}}$ pin is not held low long enough to be detected as the cause, the reset is tentatively assumed to have come from the COP or clock monitor systems. Priority logic assigns highest priority to the clock monitor and second highest priority to the COP watchdog. If neither of these sources is pending, the normal reset vector is selected by default. In another abnormal case where the $\overline{\text{RESET}}$ line is loaded by too much capacitance to rise within two cycles after the internal N-channel turns off, there will be no way for the internal logic to discriminate between an internal or external reset source; thus, all resets are interpreted as external requests.

Figure 5-1 shows an example of an external reset circuit. The low-voltage inhibit (LVI) device [1] holds $\overline{\text{RESET}}$ low whenever V_{DD} is below operating level. The LVI device [2] and the RC on its input provide an external POR delay. The switch [3] provides for manual reset. Voltage detectors [1] and [2] have open-drain outputs, and the pullup resistor holds the $\overline{\text{RESET}}$ pin high unless either voltage detector or the internal MCU reset circuitry drives the $\overline{\text{RESET}}$ pin low. The LVI circuit [1] (or some equivalent circuit) is required for virtually all M68HC11 systems. The external POR delay and manual reset switch are optional. For many applications, the voltage detector [1] and the pullup resistor [4] are the only external components needed for reset.

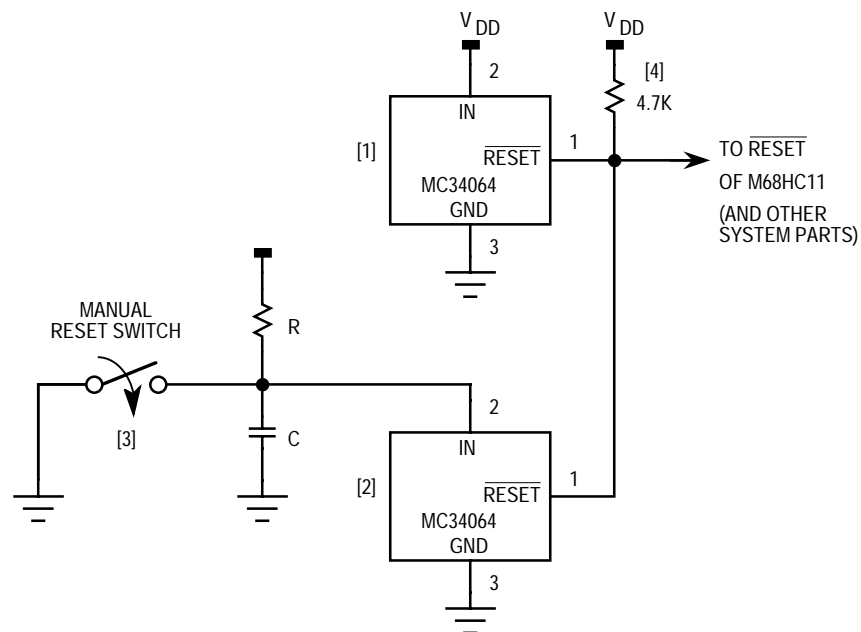


Figure 5-1. Typical External Reset Circuit

5.5 Interrupt Process

The CPU in a microcontroller sequentially executes instructions. In many applications, it is necessary to execute sets of instructions in response to requests from various peripheral devices. These requests are often asynchronous to the execution of the main program. Interrupts provide a way to temporarily suspend normal program execution so the CPU can be freed to service these requests. After an interrupt has been serviced, the main program resumes as if there had been no interruption.

The instructions executed in response to an interrupt are called the interrupt service routine. These routines are much like subroutines except that they are called through the automatic hardware interrupt mechanism rather than by a subroutine call instruction, and all CPU registers are saved on the stack rather than just saving the program counter. An interrupt (provided it is enabled) causes normal program flow to be suspended as soon as the currently executing instruction finishes. The interrupt logic then pushes the contents of all CPU registers onto the stack so the CPU context can be restored after the interrupt is finished. After stacking the CPU registers, the vector for the highest priority pending interrupt source is loaded into the program counter, and execution continues with the first instruction of the interrupt service routine. An interrupt is concluded with a return-from-interrupt (RTI) instruction, which causes all CPU registers and the return address to be recovered from the stack so that the interrupted program can resume as if there had been no interruption.

Interrupts can be enabled or disabled by mask bits (X and I) in the CCR and by local enable mask bits in the on-chip peripheral control registers. A few important interrupt sources that are always enabled are called non-maskable interrupts. The non-maskable interrupt request (XIRQ) pin is effectively a non-maskable interrupt source except that it is disabled immediately after reset. Very special logic is associated with the interrupt mask bit (X) for XIRQ in the CCR to overcome classic problems associated with a non-maskable interrupt while allowing all of the benefits of such an interrupt. The remaining interrupt sources are maskable by the interrupt mask bit (I) in the CCR.

The interrupt mask bits in the CCR provide a means of controlling the nesting of interrupts. In rare cases, it may be useful to allow an interrupt routine to be interrupted (nesting of interrupts). Nesting of interrupts is discouraged because it greatly complicates a system and rarely improves system performance. By default, the interrupt structure inhibits interrupts during the interrupt entry sequence by setting the interrupt mask bit(s) in the CCR. As the CCR is recovered from the stack during the RTI instruction, the CCR bits return to the enabled state so additional interrupts can be serviced. If nesting of interrupts is desired, it must be specifically allowed by clearing the interrupt mask bit(s) after entering the interrupt service routine. Care must be taken to specifically mask

(disable) the present interrupt with a local enable mask bit or to clear the interrupt source flag before clearing the mask bit in the CCR; otherwise, the same source would immediately interrupt, and an infinite loop could result.

Upon reset, both the X and I bits are set to inhibit all maskable interrupts and \overline{XIRQ} . After minimum system initialization, software may clear the X bit by a transfer accumulator A to CCR (TAP) instruction, thus enabling \overline{XIRQ} . Thereafter, software cannot set the X bit; thus, an \overline{XIRQ} is effectively a non-maskable interrupt. Since the operation of the I-bit-related interrupt structure has no effect on the X bit, the external \overline{XIRQ} pin remains effectively non-maskable. In the interrupt priority logic, \overline{XIRQ} is a higher priority than any source that is maskable by the I bit. All I-bit-related interrupts operate normally with their own priority relationship. When an I-bit-related interrupt occurs, the I bit is automatically set by hardware after stacking the CCR byte, but the X bit is not affected. When an \overline{XIRQ} occurs, both the X and I bits are automatically set by hardware after stacking the CCR. An RTI instruction restores the X and I bits to their pre-interrupt request state.

5.5.1 Interrupt Recognition and Stacking Registers

An interrupt can be recognized at any time provided it is enabled by its local mask (if any) and by the global mask bit in the CCR. Once any interrupt source is recognized, the CPU will respond at the completion of the currently executing instruction. Instructions cannot be interrupted; rather, the CPU decides whether to fetch another instruction or process an interrupt. In calculating the latency time from the actual interrupt request to the CPU response to that request, the user must consider the possibility that the CPU had just started a long instruction as the interrupt was requested. Most instructions are two to four cycles long, but the multiply (MUL) and integer divide (IDIV) or fractional divide (FDIV) instructions are 10 and 41 cycles, respectively.

When the CPU decides to service an interrupt, the contents of CPU registers are pushed (stored) on the stack in the order PCL, PCH, IYL, IYH, IXL, IXH, ACCA, ACCB, and CCR (following the same cycle-by-cycle order as cycles 3–14 of the SWI instruction). After the CCR value is stacked, the I bit in the CCR (and the X bit if \overline{XIRQ} is

pending) is set to inhibit further interrupts. The interrupt sequence then proceeds to the priority resolution step.

5.5.2 Selecting Interrupt Vectors

After the CCR has been stacked, the CPU evaluates all pending interrupt requests to determine which source has the highest priority. Since the priority resolution step occurs several cycles after the original decision to service an interrupt, a higher priority source could become pending after the stacking operation started but before the priority is resolved. In such a case, the interrupt that is serviced can be different from the source that initiated the interrupt sequence. This subtle aspect means that the latency from an interrupt request to when it is serviced can be shorter than expected.

Interrupts obey a fixed hardware-priority circuit to resolve simultaneous requests; however, one I-bit-related interrupt source may be elevated to the highest I bit priority position in the resolution circuit. The first six interrupt sources are not masked by the I bit in the CCR and have the fixed priority interrupt relationship: reset, clock monitor fail, COP fail, illegal opcode, and XIRQ. Each of these sources is an input to the priority resolution circuit. Software interrupt (SWI) is actually an instruction and has the highest priority other than reset because, once the SWI opcode is fetched, no other interrupt can be honored until the SWI vector has been fetched. The highest I-bit-related priority input is assigned under software control (of the HPRIO register) to be connected to any one of the remaining I-bit-related interrupt sources. To avoid timing races, the HPRIO register may be written only while the I-bit-related interrupts are inhibited (I bit in CCR = 1). An interrupt that is assigned to this highest priority position is still subject to masking by any associated control bits or by the I bit in the CCR. The interrupt vector address is not affected by assigning a source to this highest priority position.

Figure 5-2 shows the HPRIO register. The HPRIO register may be read at any time but may be written only under special circumstances. The high-order four bits of HPRIO may be written only while the MCU is operating in one of the special modes (SMOD = 1). The low-order four bits may be written only while the I bit in the CCR is 1.

Address: \$103C

	Bit 7	6	5	4	3	2	1	Bit 0
Read:	RBOOT	SMOD	MDA	IRV	PSEL3	PSEL2	PSEL1	PSEL0
Write:								
Reset:	Refer to Table 5-1 .				0	1	0	1

Figure 5-2. Highest Priority I-Bit Interrupt and Miscellaneous Register (HPRIO)

RBOOT — Read Bootstrap ROM

Can be written only while SMOD equals 1

1 = Bootstrap ROM enabled and located from \$BF40–\$BFFF

0 = Bootstrap ROM disabled and not present in memory map

The RBOOT control bit enables or disables the special bootstrap control ROM. This 192-byte mask-programmed ROM contains the firmware required to load a user's program through the SCI into the internal RAM and jump to the loaded program. In all modes other than the special bootstrap mode, this ROM is disabled and does not occupy any space in the 64-Kbyte memory map. Although it is 0 when the MCU comes out of reset in test mode, the RBOOT bit may be written to 1 while in special test mode.

SMOD — Special Mode Bit

May be written to 0 but not back to 1

1 = Special mode variation in effect

0 = Normal mode variation in effect

MDA — Mode A Select Bit

Can be written only while SMOD equals 1

1 = Normal expanded or special test mode in effect

0 = Normal single-chip or special bootstrap mode in effect

IRV — Internal Read Visibility Bit

Can be written only while SMOD equals 1; forced to 0 if SMOD equals 0

1 = Data driven onto external bus during internal reads

0 = Data from internal reads not visible on expansion bus (levels on bus ignored)

The IRV control bit is used during factory testing and sometimes during emulation to allow internal read accesses to be visible on the external data bus. Care is required to avoid data bus contention while IRV is active because the bidirectional data bus is driven out during reads of internal addresses, even though the $\overline{R/\overline{W}}$ line suggests the data bus is in the high-impedance read mode. In normal modes, this function is disabled; thus, complex decode logic is not required to protect against accidental bus conflicts.

PSEL3–PSEL0 — Priority Select Bits 3–0

Can be written only while I bit in CCR equals 1. These four bits allow any one maskable interrupt source to be elevated to the highest priority position. Non-maskable interrupts still take priority over all maskable interrupts. [Table 5-4](#) shows the relationship between the PSEL3–PSEL0 bit values and the interrupt source that is promoted. The priority can be changed only while interrupts are masked (I bit in CCR = 1) to avoid race conditions.

Table 5-4. Highest Priority I Interrupt versus PSEL3–PSEL0

PSEL3	PSEL2	PSEL1	PSEL0	Interrupt Source Promoted
0	0	0	0	Timer overflow
0	0	0	1	Pulse accumulator overflow
0	0	1	0	Pulse accumulator input edge
0	0	1	1	SPI transfer complete
0	1	0	0	SCI serial system
0	1	0	1	Reserved (default to \overline{IRQ})
0	1	1	0	\overline{IRQ} (external pin or parallel I/O)
0	1	1	1	Real-time interrupt
1	0	0	0	Timer input capture 1
1	0	0	1	Timer input capture 2
1	0	1	0	Timer input capture 3
1	0	1	1	Timer output compare 1
1	1	0	0	Timer output compare 2
1	1	0	1	Timer output compare 3
1	1	1	0	Timer output compare 4
1	1	1	1	Timer output compare 5

Figure 5-2, **Figure 5-3**, and **Figure 5-4** illustrate the interrupt process as it relates to normal processing. **Figure 5-3** shows how the CPU begins from a reset and how interrupt detection relates to normal opcode fetches. **Figure 5-3**, an expansion of a block in **Figure 5-2**, shows how interrupt priority is resolved. **Figure 5-4**, an expansion of the SCI interrupt block in **Figure 5-3**, shows the resolution of interrupt sources within the SCI subsystem.

5.5.3 Return from Interrupt

When an interrupt has been serviced as needed, the return-from-interrupt (RTI) instruction terminates interrupt processing and returns to the program that was running at the time of the interruption. During servicing of the interrupt, some or all of the CPU registers will have changed. To continue the former program as if it had not been interrupted, the registers must be restored to the values present at the time the former program was interrupted. The RTI instruction accomplishes this by pulling (loading) the saved register values from the stack memory. The last value to be pulled from the stack is the program counter, which causes processing to resume where it was interrupted.

5.6 Non-Maskable Interrupts

This subsection discusses the illegal opcode fetch interrupt, the software interrupt (SWI) instruction, and the $\overline{\text{XIRQ}}$ input pin. The illegal opcode fetch interrupt is a non-maskable interrupt source intended to improve system integrity. Although it performs like an interrupt, SWI is an instruction rather than an asynchronous interrupt. The $\overline{\text{XIRQ}}$ input is an updated version of the non-maskable interrupt (NMI) input of earlier MCUs.

Resets and Interrupts

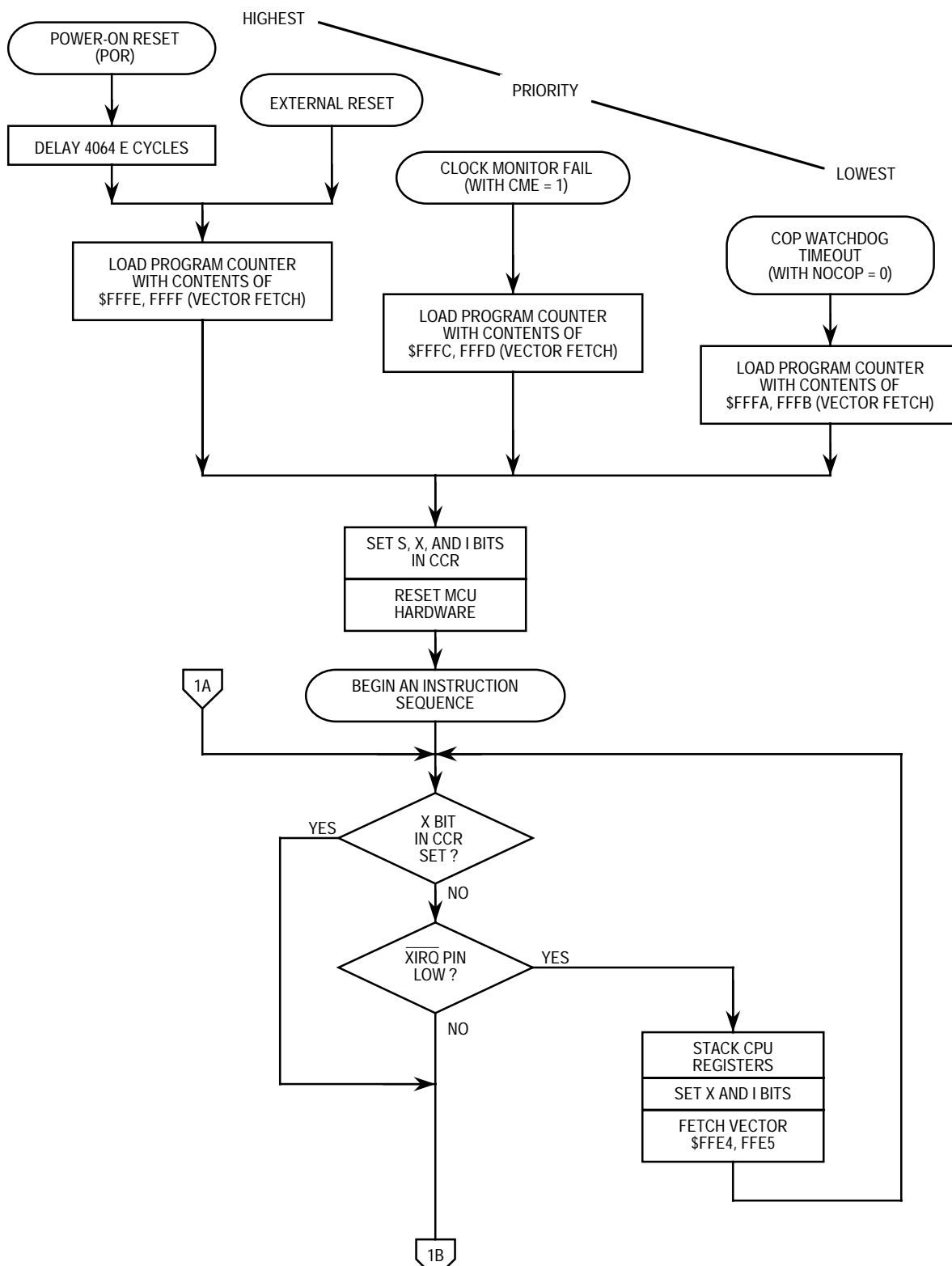


Figure 5-3. Processing Flow Out of Resets (Sheet 1 of 2)

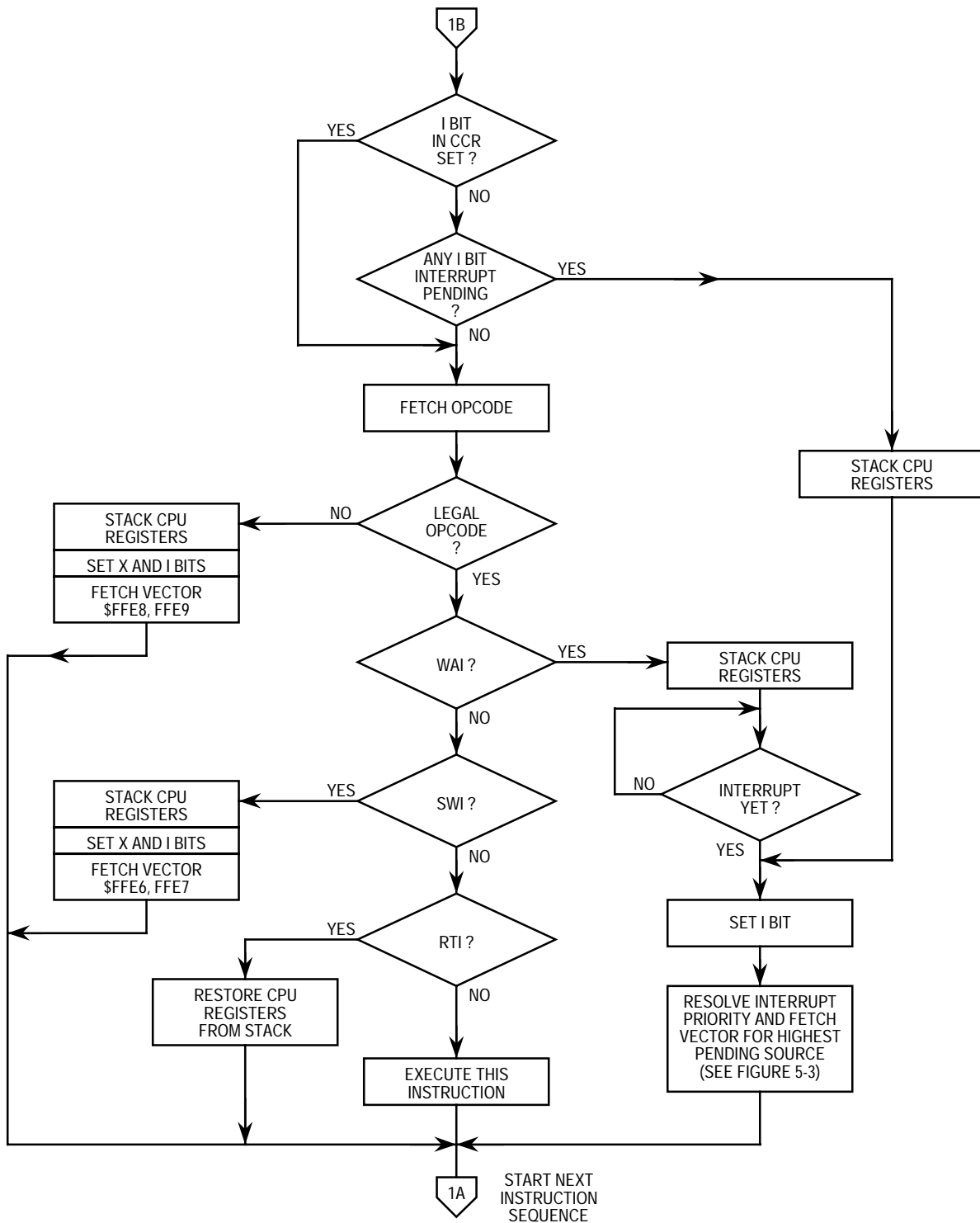


Figure 5-3. Processing Flow Out of Resets (Sheet 2 of 2)

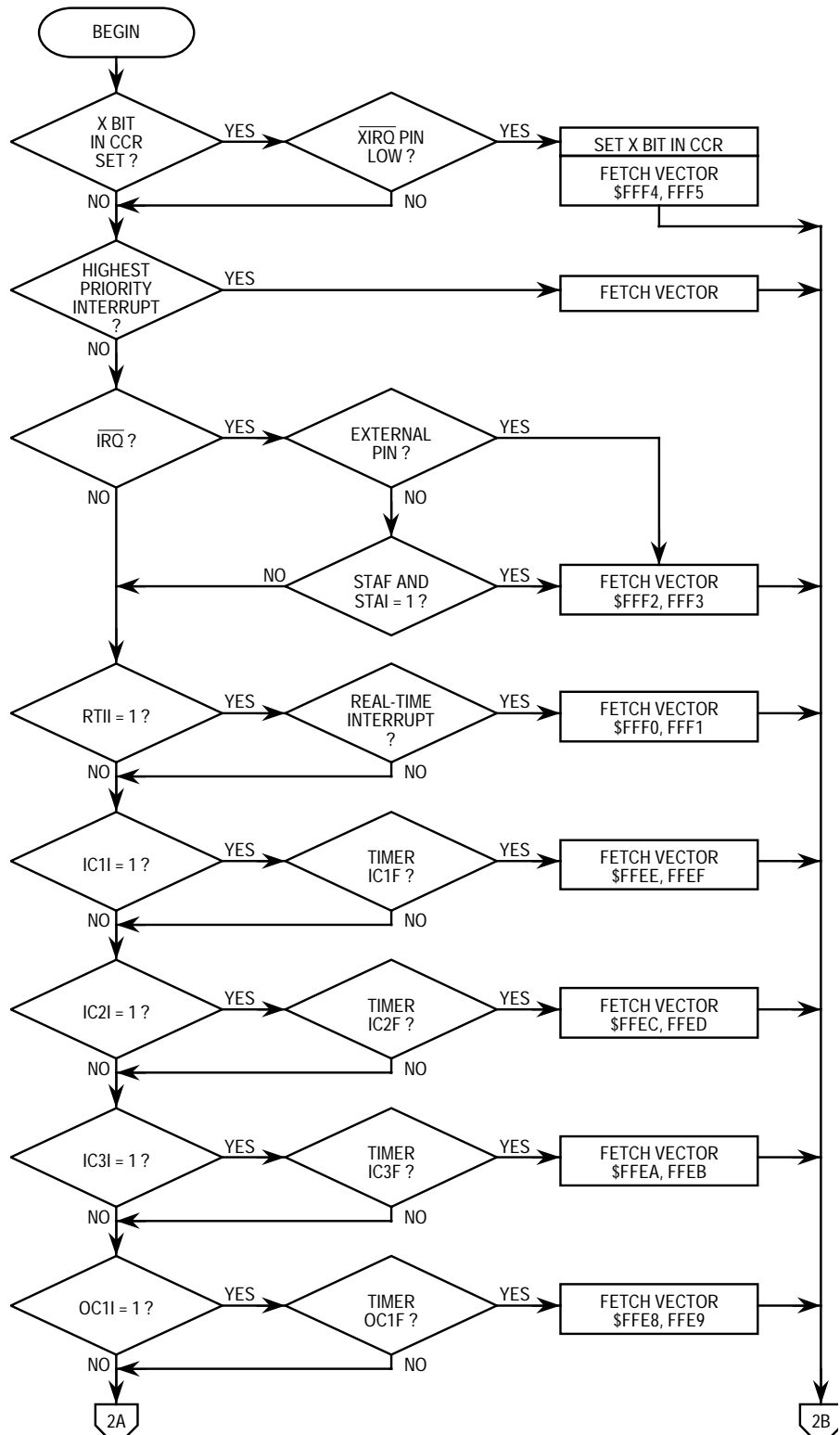


Figure 5-4. Interrupt Priority Resolution (Sheet 1 of 2)

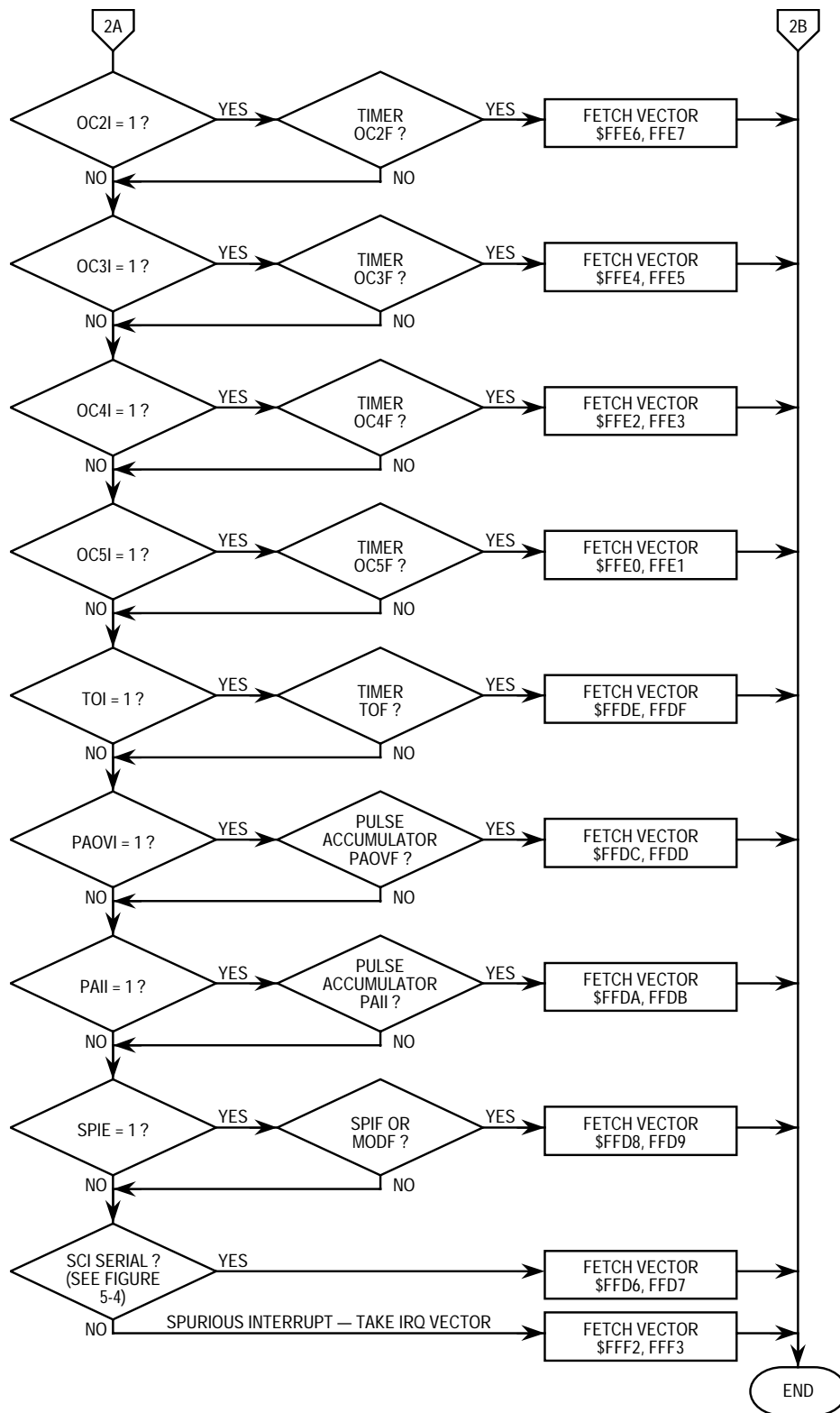


Figure 5-4. Interrupt Priority Resolution (Sheet 2 of 2)

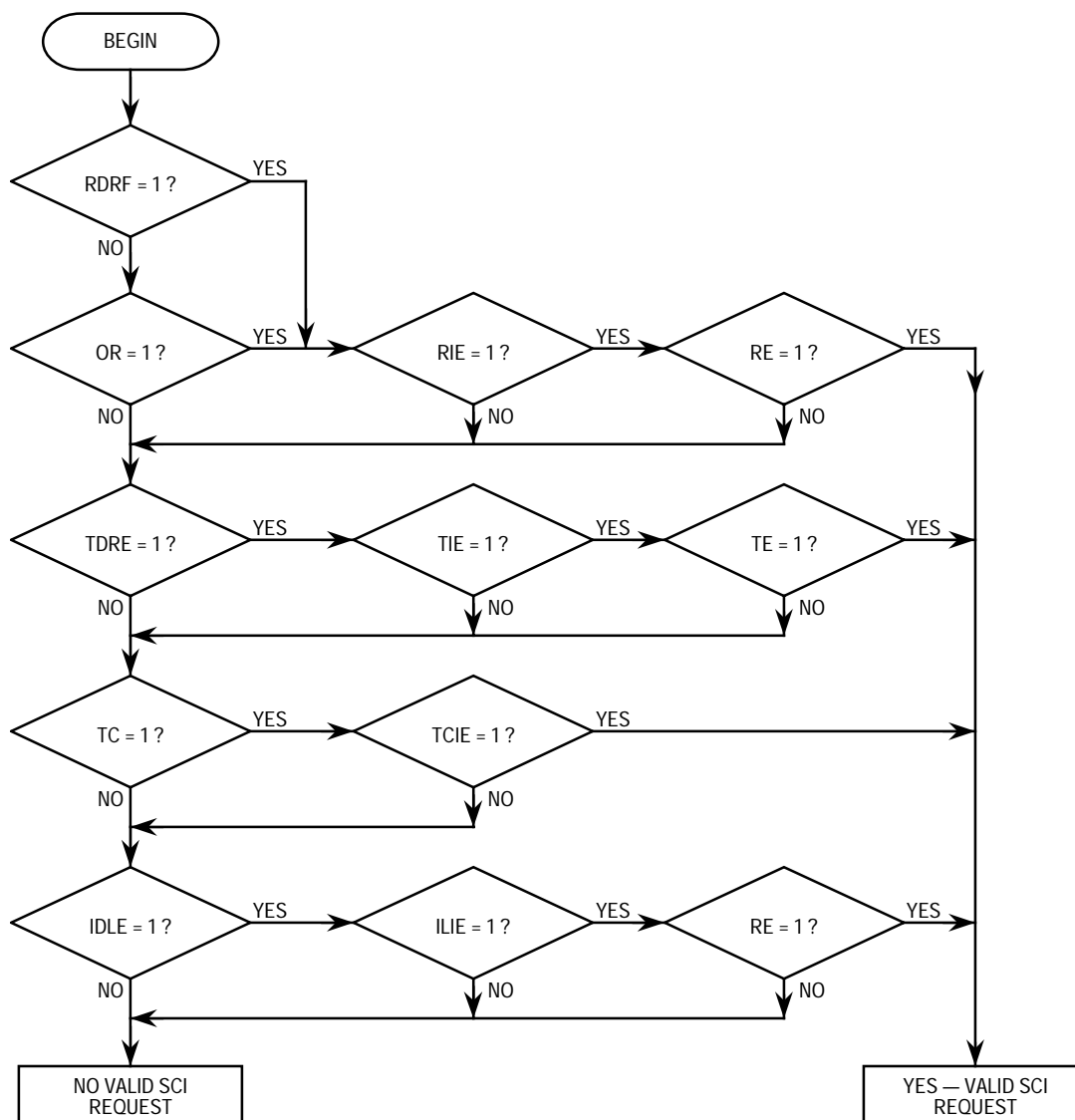


Figure 5-5. Interrupt Source Resolution within SCI

5.6.1 Non-Maskable Interrupt Request (\overline{XIRQ})

Non-maskable interrupts are useful because they can always interrupt CPU operation. The most common use for such an interrupt is for very serious system problems, such as program runaway or power failure. The \overline{XIRQ} mechanism overcomes two significant problems with an \overline{NMI} input while retaining the important capabilities associated with a non-maskable source.

The first $\overline{\text{NMI}}$ problem is as follows: What if an $\overline{\text{NMI}}$ is requested before the stack pointer has been initialized? If this request happens, the register stacking operation causes register values to be written to a random area of memory. If the stack pointer is pointing to some unimplemented memory area or to a read-only area, there will be no way to return to the program in progress at the time of the interrupt. If the stack pointer is pointing at a data area in memory, the register values will be written over the data (thus corrupting it). Since this situation is not desirable, the $\overline{\text{NMI}}$ had to be externally inhibited after reset until the stack pointer could be initialized.

The second $\overline{\text{NMI}}$ problem is as follows: What if the $\overline{\text{NMI}}$ signal bounces so that $\overline{\text{NMI}}$ is nested? If nesting occurs, the stack can be filled with several copies of the register values, possibly filling the stack beyond its allotted space. Nesting in this way would also cause excessive latency from the request until the resulting program actions are executed.

The M68HC11 solves both these problems with the X bit in the CCR. The X bit is very similar to the I bit except that there are special restrictions on setting and clearing of the X bit. Since X can only be cleared by a software instruction, the programmer has control over when the $\overline{\text{XIRQ}}$ input becomes enabled. The two software instructions that can clear the X bit are TAP and RTI (provided the stacked CCR value has a 0 in the X bit position). The two hardware conditions that can set the X bit are system reset and the recognition of an $\overline{\text{XIRQ}}$.

Immediately after any reset, the X bit is set; thus, $\overline{\text{XIRQ}}$ is inhibited. When software has established initial conditions, including setting the stack pointer, the X bit may be cleared with a TAP instruction to enable $\overline{\text{XIRQ}}$. These two steps overcome the first $\overline{\text{NMI}}$ problem. Since software cannot set the X bit, the $\overline{\text{XIRQ}}$ can be considered a non-maskable source at this point. When an $\overline{\text{XIRQ}}$ occurs, the CCR value is stacked (with the X bit clear); the X bit is then automatically set to inhibit additional interrupts. This step overcomes the second $\overline{\text{NMI}}$ problem. When an RTI instruction is executed, the CCR is restored to the stacked value (which had the X bit clear). A common misconception is that the X bit can be set by executing an RTI instruction with a 1 in the X bit position of the stacked CCR value. In reality, the X bit is implemented as a set-reset flip-flop rather than a D-type flip-flop. The set input is connected to the

OR of reset and \overline{XIRQ} acknowledge. The reset input is connected to the AND of a CCR write and data bit 6 equals 0. If an attempt is made to TAP or unstack a 1 to the X bit, neither the set nor the clear input to the X bit flip-flop will be activated, and the X bit will remain unchanged.

The M68HC11 supports a stop mode where all clocks are stopped to reduce power consumption to a few microamps. Recovery to active mode is accomplished by a reset or an interrupt (\overline{IRQ} or \overline{XIRQ}). Depending upon the state of the X bit in the CCR, the \overline{XIRQ} input offers a choice of two recovery methods. If X is 0, \overline{XIRQ} interrupts are enabled, and recovery leads to register stacking and normal interrupt service. If X is 1, \overline{XIRQ} interrupts are inhibited, but the \overline{XIRQ} pin can still be used for recovery from the stop mode. Rather than resuming operation with service of an interrupt (\overline{XIRQ}), the clocks start and processing resumes with the next opcode after the STOP opcode. This technique can be thought of as a STOP-continue mechanism.

Some M68HC11 MCUs were manufactured with a subtle defect that can cause failure to properly recover from stop with an interrupt input (\overline{IRQ} or \overline{XIRQ}). If the opcode immediately preceding the STOP opcode came from column 4 or 5 of the opcode map, recovery was incorrect. Column 4 and 5 opcodes are accumulator instructions, such as negate A (NEGA) or decrement B (DECB), which seldom appear immediately before a STOP instruction; therefore, a long time elapsed before the problem was discovered. A simple NOP instruction before the stop opcode ensures proper recovery from stop in all cases.

5.6.2 Illegal Opcode Fetch

Since not all possible opcodes or opcode sequences are defined, an illegal opcode detection circuit has been included. When an illegal opcode is detected, an interrupt is requested to the illegal opcode vector. The illegal opcode vector should never be left uninitialized. The stack pointer should be re-initialized as a result of an illegal opcode interrupt so repeated execution of illegal opcodes does not cause stack overruns. If the illegal opcode vector were left uninitialized, it could point to a memory location that contained an illegal opcode. In such a case, there would be an infinite loop of repeated illegal opcodes and an infinite stack

overflow, which would cause the register contents to be stored to all memory addresses in a very short time.

The illegal opcode trap mechanism works for all unimplemented opcodes on all four opcode map pages. The address stacked as the return address for the illegal opcode interrupt is the address of the first byte of the illegal opcode. Otherwise, it would be almost impossible to determine whether the illegal opcode had been one or two bytes. The stacked return address can be used as a pointer to the illegal opcode so the illegal opcode service routine can evaluate the offending opcode.

The illegal opcode mechanism can be used to create a number of special-purpose instructions that use otherwise illegal opcodes. When one of these opcodes is encountered, the interrupt service routine can look up the special opcode and perform some special task. The return address would need to be manually changed since it points to the illegal opcode rather than to the instruction that follows the illegal opcode.

The TEST instruction (opcode \$00) is a legal opcode in special test and bootstrap modes, but it is an especially offensive illegal opcode in normal operating modes. The illegal opcode detection logic treats the TEST opcode as illegal when the MCU is in normal operating modes and as legal in special test and bootstrap modes.

5.6.3 Software Interrupt

The SWI is executed in the same manner as other instructions and takes precedence over pending interrupts only if the other interrupts are masked (I and X bits in the CCR set). The SWI instruction is executed in a manner similar to other maskable interrupts in that it sets the I bit, CPU registers are stacked, etc. SWI is not inhibited by the global interrupt mask bits (X or I) in the CCR.

NOTE: *The SWI instruction will not be fetched if any other interrupt is pending. However, once an SWI instruction begins, no other interrupt can be honored until the SWI vector has been fetched.*

SWI instructions are commonly used in debug monitors to transfer control from a user program to the debug monitor. For example, while

operating under monitor control, a designer can specify a breakpoint at some address in the user program being debugged. The monitor will replace the user's opcode at this address with the opcode for an SWI instruction. When the user's program is running and this SWI opcode is encountered, the monitor, recognizing that this is a breakpoint, will take control. The SWI opcodes are usually placed into the user's program just before the program is run, and these locations are restored to the original opcode when the debug monitor regains control.

5.7 Maskable Interrupts

The remaining 20 interrupt sources in the MC68HC11A8 are subject to masking by a global interrupt mask bit (I bit in CCR). In addition to the global I bit, all of these sources except the external interrupt ($\overline{\text{IRQ}}$ pin) are subject to local enable bits in control registers. Most interrupt sources in the M68HC11 have separate interrupt vectors; thus, there is usually no need for software to poll control registers to determine the cause of an interrupt. The maskable interrupt sources respond to a fixed-priority relationship except that any one source can be dynamically elevated to the highest priority position of any maskable source.

This subsection discusses the maskable interrupt structure rather than the specific interrupts from individual internal peripheral subsystems. The interrupts associated with the internal subsystems are discussed throughout this manual during the discussion of each peripheral system.

5.7.1 I Bit in the Condition Code Register

The I bit in the CCR acts as a primary enable control for all maskable interrupts. When the I bit is set, interrupts can become pending but will not be honored. When the I bit is clear, interrupts are enabled to interrupt normal program flow when an interrupt source requests service.

The I bit is set during reset to prevent interrupts from being honored until minimum system initialization has been performed. Part of this minimum initialization would be to load the stack pointer so it points to an appropriate area of RAM. The I bit is also automatically set during entry into any interrupt service routine to prevent an infinite source of

interrupts from overwhelming the CPU. Software can also set the interrupt mask bit to inhibit interrupts during sensitive operations.

The I bit can be cleared by software instructions or during the execution of an RTI instruction. In most applications, the I bit remains set during interrupt service routines so other interrupts will not be honored until a current interrupt service routine finishes (that is, nesting is not permitted). In more unusual applications, it is possible to allow nesting of interrupts by clearing the I bit during an interrupt service routine. Since this procedure requires much expertise, it should not be attempted by a novice programmer. In some cases, worst-case interrupt latency can be reduced by allowing interrupt nesting, but usually the best procedure is to minimize the execution time of interrupt service routines. Since the overhead associated with interrupt nesting usually violates this principle, nesting is not recommended.

The operation of the I bit during service of an interrupt proceeds as follows. When an enabled interrupt occurs and the I bit is clear, the CPU completes the current instruction and begins the interrupt response sequence. The current contents of the CPU registers are pushed onto the stack (stored in stack RAM). The register values are saved one byte at a time in the following order: PCL, PCH, IYL, IYH, IXL, IXH, ACCA, ACCB, and CCR. After the CCR value is stacked, the I bit in the CCR is set to inhibit further interrupts. Next, the vector for the highest priority pending interrupt is fetched, and processing continues with execution of the first instruction in the interrupt service routine. The last instruction in the interrupt service routine is the RTI instruction. This instruction causes the previously stacked register values to be loaded back into the registers in reverse order. Since the program counter is restored to its pre-interrupt value, the next instruction executed will be the instruction that would have been executed if the interrupt had not occurred.

A common error for new users is to put a set interrupt mask (SEI) instruction at the beginning of an interrupt service routine and a clear interrupt mask (CLI) instruction just before the RTI instruction. These instructions should not be used in this way because they are redundant. The automatic interrupt logic already sets the I bit on the way into an interrupt and clears the I bit during normal execution of the RTI instruction.

5.7.2 Special Considerations for I-Bit-Related Instructions

Some special conditions associated with the I bit require additional consideration. The I bit is actually a sequential logic circuit rather than a simple flip flop. When the I bit is set by an SEI or a TAP instruction, interrupts are inhibited immediately. An interrupt occurring while an SEI instruction is executing will not be honored until/unless the I bit is later cleared. When the I bit is cleared by a CLI or TAP instruction, the actual clear operation is delayed for one bus cycle so the instruction following the CLI or TAP will always be executed. This procedure implies that the following loop can never be interrupted by a maskable interrupt:

LOOP	CLI	Enable Interrupts
	SEI	Disable Interrupts
	BRA	LOOP
		Repeat

The reason for this delayed clear operation can be seen in this instruction sequence:

CLI	Enable Interrupts
WAI	Wait for Interrupt

If there were not a delay in clearing the I bit, it is possible the interrupt could be recognized between the CLI and WAI instructions. Upon return from the interrupt service routine, the WAI instruction would be executed, and the CPU would erroneously wait for the interrupt that was just serviced.

During execution of an RTI instruction, the first register to be restored from the stack is the CCR. In this situation, the 1-cycle delay in clearing the I bit expires long before the RTI instruction is finished; thus, a new interrupt sequence can be started even before a single instruction of the interrupted program is executed.

5.8 Interrupt Request

The maskable interrupt structure in the M68HC11 can be extended to additional external interrupting sources through the $\overline{\text{IRQ}}$ input. This subsection discusses the $\overline{\text{IRQ}}$ input as it relates to the interrupt structure.

The alternate use of the $\overline{\text{IRQ}}$ pin as an EEPROM programming voltage source during factory testing is discussed in [2.4.6 Interrupt Pins \(XIRQ and IRQ\)](#).

Although this subsection is primarily concerned with the $\overline{\text{IRQ}}$ pin, there are several additional MCU pins that can be used as interrupt inputs. The $\overline{\text{XIRQ}}$ pin provides for non-maskable interrupts. The main-timer input-capture pins (IC3–IC1) can be used as edge-sensitive interrupt inputs with separate controls for selecting the significant edge and separate interrupt vectors. The pulse accumulator input pin can also be used as an additional edge-sensitive interrupt. If the MCU is operating in single-chip mode, the strobe A (STRA/AS) pin is available as an edge-triggered interrupt input. Though there is only one $\overline{\text{IRQ}}$ pin, these other pins allow an MC68HC11A8 to have up to seven interrupt pins.

5.8.1 Selecting Edge Triggering or Level Triggering

The default and most common configuration for the $\overline{\text{IRQ}}$ pin in an M68HC11 application is a low-level-sensitive wired-OR network. In less common applications, $\overline{\text{IRQ}}$ can be a low-going edge-sensitive input. The edge-sensitive configuration is less common because it only allows a single interrupt source to use the $\overline{\text{IRQ}}$ pin; whereas, the level-sensitive configuration can accommodate many sources on the single $\overline{\text{IRQ}}$ pin. The $\overline{\text{IRQ}}$ select edge-sensitive only IRQE bit in the OPTION control register is used to select the $\overline{\text{IRQ}}$ pin configuration (IRQE = 0 for low level sensitive and IRQE = 1 for low-going edge sensitive). The IRQE control bit is time-protected, which means it can only be written once within the first 64 E-clock cycles after reset. IRQE is cleared by default during reset.

The interrupt sources within the MCU all operate as a wired-OR level-sensitive network. When an event triggers an interrupt, a software-accessible interrupt flag is set, which (if enabled) causes a constant request for interrupt service. When software has recognized the interrupt, this flag is cleared, thus releasing the request for service. The flag bit acts as a static indication that service is required. If more than one interrupt source is connected to a single level-sensitive line, the

line may remain asserted for several overlapping events from different sources, and the flag bits ensure that all requests will be serviced.

In an edge-sensitive network, the MCU is responsible for latching a request upon recognition of a low-going edge at the interrupt input. This configuration is only capable of recognizing that an edge occurred (there is no software-accessible record to identify the requesting source); thus, the edge-sensitive configuration is appropriate only where a single source could have made the request.

5.8.2 Sharing Vector with Handshake I/O Interrupts

Because the $\overline{\text{IRQ}}$ vector is shared by the handshake I/O subsystem and the $\overline{\text{IRQ}}$ input pin, the handshake I/O functions can be rebuilt externally when the MCU is operating in expanded modes. While the MCU is in an expanded mode, 18 pins, which were used for the handshake I/O subsystem, become dedicated to the expansion bus. The MC68HC24 is a port replacement unit (PRU) that rebuilds the handshake I/O functions. The MCU is specifically designed to treat the associated addresses as external locations while in expanded modes so that software sees no difference between an expanded system with a PRU and an M68HC11 operating in single-chip mode. Since the handshake I/O system uses the same vector as the $\overline{\text{IRQ}}$ pin, the PRU can drive the $\overline{\text{IRQ}}$ pin of the MCU. Even the interrupts for the handshake I/O system are faithfully emulated.

The shared interrupt with $\overline{\text{IRQ}}$ solves most emulation problems for the PRU; however, there are some difficulties in applications where $\overline{\text{IRQ}}$ is configured for edge-sensitive operation. In such a system, the PRU is connected to the $\overline{\text{IRQ}}$ pin and to the user's external interrupt source. The edge-sensitive configuration is not able to distinguish which source caused an interrupt. Also, if an edge-triggered interrupt is generated by the external source while an interrupt is pending from the PRU, the low level on the $\overline{\text{IRQ}}$ line prevents any new-edge from being detected. Since the level-sensitive configuration is more common for $\overline{\text{IRQ}}$ and since so many other pins can act as edge-sensitive interrupt inputs, this limitation should not be serious.

5.9 Interrupts from Internal Peripheral Subsystems

This sub-section discusses common aspects of the interrupts generated by on-chip peripheral systems. The interrupt sources for on-chip peripheral systems are discussed in greater detail in the sections for each peripheral system.

5.9.1 Inhibiting Individual Sources

All on-chip interrupt sources have software-accessible control bits to enable the interrupt sources on an individual basis. Each source has a flag bit, which indicates service is required, and an interrupt enable bit, which enables the flag to generate hardware interrupt requests. The programmer decides which sources will be used to generate interrupts and which will be handled by software polling rather than by interrupts. The global interrupt mask (I bit in CCR) can be used to inhibit all maskable interrupts.

5.9.2 Clearing Interrupt Status Flag Bits

The method for clearing the interrupt status flags varies from one system to another. Detailed explanations of the clearing requirements for each flag are provided in the sections for each on-chip peripheral system.

Timer system interrupt flags are cleared by writing a logic 1 to the flag bit positions to be cleared. This action is explicit and is intended to prevent these flags from being cleared unintentionally. The most straightforward way to accomplish clearing is to load an accumulator with an immediate value (with 1s in the bit positions corresponding to a flag bit(s) to be cleared) and then write this value to the status register. Other instruction sequences can be used to clear these timer flag bits, including bit manipulation instructions. Several instruction sequences for clearing timer flags are discussed in detail in [10.4.4 Tips for Clearing Timer Flags](#).

5.9.3 Automatic Clearing Mechanisms on Some Flags

For some of the interrupt sources, such as the parallel I/O interrupt and the SCI interrupts, the flags are automatically cleared during the normal course of responding to the interrupt requests. For example, the RDRF flag in the SCI system is cleared by the automatic clearing mechanism consisting of a read of the SCI status register while RDRF is set, followed by a read of the SCI data register. The normal response to an RDRF interrupt request would be to read the SCI status register to check for receive errors, then read the received data from the SCI data register. These two steps satisfy the automatic clearing mechanism without requiring any special instructions.

In unusual cases, a programmer must take special care not to unintentionally trigger the automatic clearing mechanisms. The following guidelines help to avoid such problems. Reads of registers containing status flags should be minimized. Ideally, the status register should be read only during the course of servicing the interrupt, and the status flag should be read only once for each time the interrupt is requested. If more than one part of the service routine uses different bits in the status register, the register should be read only once, and a copy should be kept in RAM or in a CPU register for further use.

The cycle-by-cycle operation of instructions that access status registers may also present another problem. Some instructions are read-modify-write instructions even though the read information is not actually needed for the instruction. For example, the clear (CLR) instruction performs a read of the operand address even though the value read is irrelevant. A situation could arise where the SCI data register is cleared to transmit a \$00 value via the SCI transmitter. Though it is not obvious, this action can satisfy the second step of the automatic clearing mechanism for the RDRF flag because clearing of the SCI transmit data register involves a read of the SCI data register prior to the write of \$00.

Section 6. Central Processor Unit (CPU)

6.1 Contents

6.2	Introduction	198
6.3	Programmer's Model	199
6.3.1	Accumulators (A, B, and D)	200
6.3.2	Index Registers (X and Y)	200
6.3.3	Stack Pointer (SP)	201
6.3.4	Program Counter (PC)	203
6.3.5	Condition Code Register (CCR)	203
6.4	Addressing Modes	206
6.4.1	Immediate (IMM)	206
6.4.2	Extended (EXT)	208
6.4.3	Direct (DIR)	208
6.4.4	Indexed (INDX and INDY)	210
6.4.5	Inherent (INH)	211
6.4.6	Relative (REL)	212
6.5	M68HC11 Instruction Set	213
6.5.1	Accumulator and Memory Instructions	214
6.5.1.1	Loads, Stores, and Transfers	215
6.5.1.2	Arithmetic Operations	216
6.5.1.3	Multiply and Divide	217
6.5.1.4	Logical Operations	218
6.5.1.5	Data Testing and Bit Manipulation	219
6.5.1.6	Shifts and Rotates	220
6.5.2	Stack and Index Register Instructions	221
6.5.3	Condition Code Register Instructions	223

6.5.4	Program Control Instructions	224
6.5.4.1	Branches	225
6.5.4.2	Jumps	226
6.5.4.3	Subroutine Calls and Returns (BSR, JSR, and RTS)	226
6.5.4.4	Interrupt Handling (RTI, SWI, and WAI)	227
6.5.4.5	Miscellaneous (NOP, STOP, and TEST)	227

6.2 Introduction

This section discusses the M68HC11 central processor unit (CPU), which is responsible for executing all software instructions in their programmed sequence. The M68HC11 CPU can execute all M6800 and M6801 instructions (source and object-code compatible) and more than 90 new instruction opcodes. Since more than 256 instruction opcodes exist, a multiple-page opcode map is used in which some new instructions are specified by a page-select prebyte before the opcode byte.

The architecture of the M68HC11 CPU causes all peripheral, input/output (I/O), and memory locations to be treated identically as locations in the 64-Kbyte memory map. Thus, there are no special instructions for I/O that are separate from those used for memory. This technique is sometimes called memory-mapped I/O. In addition, there is no execution-time penalty for accessing an operand from an external memory location as opposed to a location within the MCU.

The M68HC11 CPU offers several new capabilities when compared to the earlier M6801 and M6800 CPUs. The biggest change is the addition of a second 16-bit index register (Y). Powerful, new bit-manipulation instructions are now included, allowing manipulation of any bit or combination of bits in any memory location in the 64-Kbyte address space. Two new 16-bit by 16-bit divide instructions are included. Exchange instructions allow the contents of either index register to be exchanged with the contents of the 16-bit double accumulator. Finally, several instructions have been upgraded to make full 16-bit arithmetic operations even easier than before.

This section discusses the CPU architecture, addressing modes, and the instruction set (by instruction types). Examples are included to show efficient ways of using this architecture and instruction set. To condense this section, detailed explanations of each instruction are included in [Appendix A. Instruction Set Details](#). These explanations include detailed cycle-by-cycle bus activity and Boolean expressions for condition code bits. This section should be used to gain a general understanding of the CPU and instruction set.

6.3 Programmer's Model

Figure 6-1 shows the programmer's model of the M68HC11 CPU. The CPU registers are an integral part of the CPU and are not addressed as if they were memory locations. Each of these registers is discussed in the subsequent paragraphs.

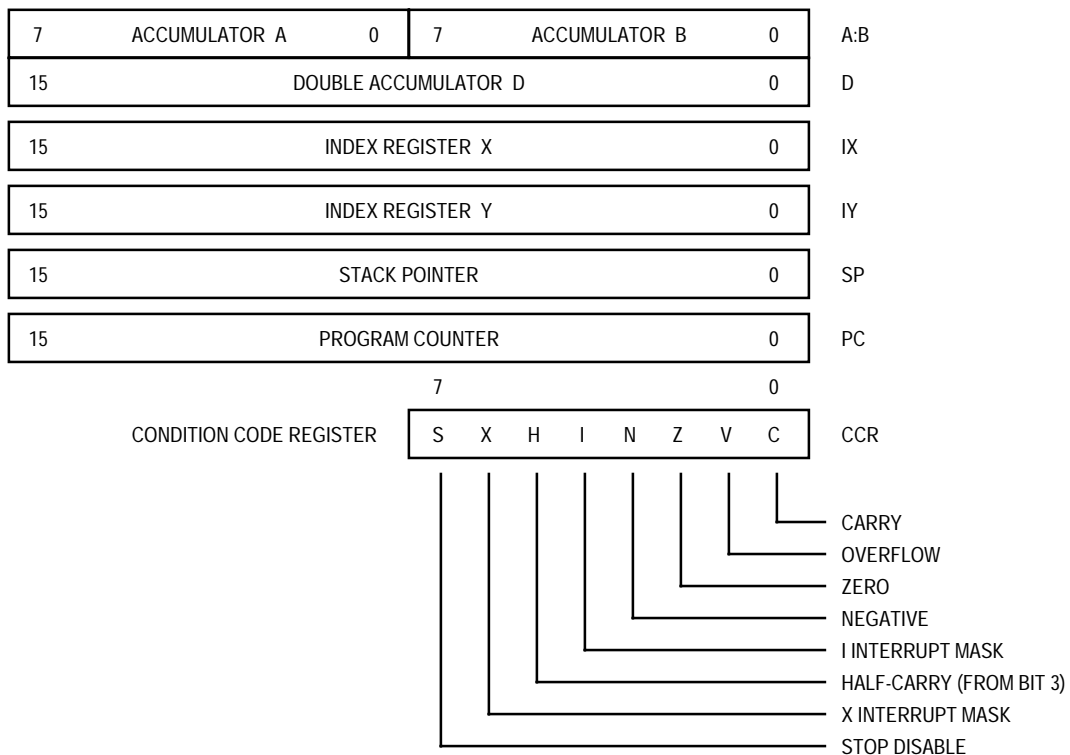


Figure 6-1. M68HC11 Programmer's Model

6.3.1 Accumulators (A, B, and D)

Accumulators A and B are general-purpose 8-bit accumulators used to hold operands and results of arithmetic calculations or data manipulations. Some instructions treat the combination of these two 8-bit accumulators as a 16-bit double accumulator (accumulator D).

Most operations can use accumulator A or B interchangeably; however, there are a few notable exceptions. The ABX and ABY instructions add the contents of the 8-bit accumulator B to the contents of the 16-bit index register X or Y, and there are no equivalent instructions that use A instead of B. The TAP and TPA instructions are used to transfer data from accumulator A to the condition code register or from the condition code register to accumulator A; however, there are no equivalent instructions that use B rather than A. The decimal adjust accumulator A (DAA) instruction is used after binary-coded decimal (BCD) arithmetic operations, and there is no equivalent BCD instruction to adjust B. Finally, the add, subtract, and compare instructions involving both A and B (ABA, SBA, and CBA) only operate in one direction; therefore, it is important to plan ahead so the correct operand will be in the correct accumulator.

6.3.2 Index Registers (X and Y)

The 16-bit index registers X and Y are used for indexed addressing mode. In the indexed addressing mode, the contents of a 16-bit index register are added to an 8-bit offset, which is included as part of the instruction, to form the effective address of the operand to be used in the instruction. In most cases, instructions involving index register Y take one extra byte of object code and one extra cycle of execution time compared to the equivalent instruction using index register X. The second index register is especially useful for moves and in cases where operands from two separate tables are involved in a calculation. In the earlier M6800 and M6801, the programmer had to store the index to some temporary location so the second index value could be loaded into the index register.

The ABX and ABY instructions along with increment and decrement instructions allow some arithmetic operations on the index registers, but, in some cases, more powerful calculations are needed. The exchange instructions, XGDX and XGDY, offer a simple way to load an index value into the 16-bit double accumulator, which has more powerful arithmetic capabilities than the index registers themselves.

It is very common to load one of the index registers with the beginning address of the internal register space (usually \$1000), which allows the indexed addressing mode to be used to access any of the internal I/O and control registers. Indexed addressing requires fewer bytes of object code than the corresponding instruction using extended addressing. Perhaps a more important argument for using indexed addressing to access register space is that bit-manipulation instructions are available for indexed addressing but not for extended addressing.

6.3.3 Stack Pointer (SP)

The M68HC11 CPU automatically supports a program stack. This stack may be located anywhere in the 64-Kbyte address space and may be any size up to the amount of memory available in the system. Normally, the stack pointer register is initialized by one of the first instructions in an application program. Each time a byte is pushed onto the stack, the stack pointer is automatically decremented, and each time a byte is pulled off the stack, the stack pointer is automatically incremented. At any given time, the stack pointer register holds the 16-bit address of the next free location on the stack. The stack is used for subroutine calls, interrupts, and for temporary storage of data values.

When a subroutine is called by a jump-to-subroutine (JSR) or branch-to-subroutine (BSR) instruction, the address of the next instruction after the JSR or BSR is automatically pushed onto the stack (low half first). When the subroutine is finished, a return-from-subroutine (RTS) instruction is executed. The RTS causes the previously stacked return address to be pulled off the stack, and execution continues at this recovered return address.

Whenever an interrupt occurs (provided it is not masked), the current instruction finishes normally, the address of the next instruction (the current value in the program counter) is pushed onto the stack, all of the CPU registers are pushed onto the stack, and execution continues at the address specified by the vector for the highest priority pending interrupt. After completing the interrupt service routine, a return from interrupt (RTI) instruction is executed. The RTI instruction causes the saved registers to be pulled off the stack in reverse order, and program execution resumes as if there had been no interruption.

Another common use for the stack is for temporary storage of register values. A simple example would be a subroutine using accumulator A. The user could push accumulator A onto the stack when entering the subroutine and pull it off the stack just before leaving the subroutine. This method is a simple way to ensure a register(s) will be the same after returning from the subroutine as it was before starting the subroutine.

The most important aspect of the stack is that it is completely automatic. A programmer does not normally have to be concerned about the stack other than to be sure that it is pointing at usable random-access memory (RAM) and that there is sufficient space. To ensure sufficient space, the user would need to know the maximum depth of subroutine or interrupt nesting possible in the particular application.

There are a few less common uses for the stack. For instance, the stack can be used to pass parameters to a subprogram, which is fairly common in high-level language compilers but is often overlooked by assembly-language programmers. There are two advantages of this technique over specific assignment of temporary or variable locations. First, the memory locations are only needed for the time the subprogram is being executed; they can be used for something else when the subprogram is completed. Second, this feature makes the subprogram re-entrant so that an interrupting program could call the same subprogram with a different set of values without disturbing the interrupted use of the subprogram.

In unusual cases, a programmer may want to look at or even manipulate something that is on the stack, which should only be attempted by an experienced programmer because it requires a detailed understanding of how the stack operates. Monitor programs like BUFFALO sometimes

place items on a stack manually and then perform an RTI instruction to go to a user program. This technique is an odd use of the stack and RTI instruction because an RTI would normally correspond to a previous interrupt.

6.3.4 Program Counter (PC)

The program counter is a 16-bit register that holds the address of the next instruction to be executed.

6.3.5 Condition Code Register (CCR)

This register contains five status indicators, two interrupt masking bits, and a STOP disable bit. The register is named for the five status bits since that is the major use of the register. In the earlier M6800 and M6801 CPUs, there was no X interrupt mask and no STOP disable control in this register.

The five status flags reflect the results of arithmetic and other operations of the CPU as it performs instructions. The five flags are half carry (H), negative (N), zero (Z), overflow (V), and carry/borrow (C). The half-carry flag, which is used only for BCD arithmetic operations (see [6.5.1.2 Arithmetic Operations](#)), is only affected by the add accumulators A and B (ABA), ADD, and add with carry (ADC) addition instructions (21 opcodes total). The N, Z, V, and C status bits allow for branching based on the results of a previous operation. Simple branches are included for either state of any of these four bits. Both signed and unsigned versions of branches are provided for the conditions $<$, \leq , $=$, \neq , \geq , or $>$.

The H bit indicates a carry from bit 3 during an addition operation. This status indicator allows the CPU to adjust the result of an 8-bit BCD addition so it is in correct BCD format, even though the add was a binary operation. This H bit, which is only updated by the ABA, ADD, and ADC instructions, is used by the DAA instruction to compensate the result in accumulator A to correct BCD format.

The N bit reflects the state of the most significant bit (MSB) of a result. For twos complement, a number is negative when the MSB is set and positive when the MSB is 0. The N bit has uses other than in twos-complement operations. By assigning an often tested flag bit to the MSB of a register or memory location, the user can test this bit by loading an accumulator.

The Z bit is set when all bits of the result are 0s. Compare instructions do an internal implied subtraction, and the condition codes, including Z, reflect the results of that subtraction. A few operations (INX, DEX, INY, and DEY) affect the Z bit and no other condition flags. For these operations, the user can only determine = and \neq .

The V bit is used to indicate if a twos-complement overflow has occurred as a result of the operation.

The C bit is normally used to indicate if a carry from an addition or a borrow has occurred as a result of a subtraction. The C bit also acts as an error flag for multiply and divide operations. Shift and rotate instructions operate with and through the carry bit to facilitate multiple-word shift operations.

In the M68HC11 CPU, condition codes are automatically updated by almost all instructions; thus, it is rare to execute any extra instructions to specifically update the condition codes. For example, the load accumulator A (LDAA) and store accumulator A (STAA) instructions automatically set or clear the N, Z, and V condition code flags. (In some other architectures, few instructions affect the condition code bits; thus, it takes two instructions to load and test a variable.) The challenge in a Motorola processor lies in finding instructions that specifically do not alter the condition codes in rare cases where that is desirable. The most important instructions that do not alter condition codes are the pushes, pulls, add B to X (ABX), add B to Y (ABY), and 16-bit transfers and exchanges. It is always a good idea to refer to an instruction set summary such as the pocket guide (Motorola document order number MC68HC11A8RG/AD) to check which condition codes are affected by a particular instruction.

The STOP disable (S) bit is used to allow or disallow the STOP instruction. Some users consider the STOP instruction dangerous because it causes the oscillator to stop; however, the user can set the S bit in the CCR to disallow the STOP instruction. If the STOP instruction is encountered by the CPU while the S bit is set, it will be treated like a no-operation (NOP) instruction, and processing continues to the next instruction.

The interrupt request (IRQ) mask (I bit) is a global mask that disables all maskable interrupt sources. While the I bit is set, interrupts can become pending and are remembered, but CPU operation continues uninterrupted until the I bit is cleared. After any reset, the I bit is set by default and can be cleared only by a software instruction. When any interrupt occurs, the I bit is automatically set after the registers are stacked but before the interrupt vector is fetched. After the interrupt has been serviced, an RTI instruction is normally executed, restoring the registers to the values that were present before the interrupt occurred. Normally, the I bit would be 0 after an RTI was executed. Although interrupts can be re-enabled within an interrupt service routine, to do so is unusual because nesting of interrupts becomes possible, which requires much more programming care than single-level interrupts and seldom improves system performance.

The XIRQ mask (X bit) is used to disable interrupts from the $\overline{\text{XIRQ}}$ pin. After any reset, X is set by default and can be cleared only by a software instruction. When $\overline{\text{XIRQ}}$ is recognized, the X bit (and I bit) are automatically set after the registers are stacked but before the interrupt vector is fetched. After the interrupt has been serviced, an RTI instruction is normally executed, causing the registers to be restored to the values that were present before the interrupt occurred. It is logical to assume the X bit was clear before the interrupt; thus, the X bit would be 0 after the RTI was executed. Although $\overline{\text{XIRQ}}$ can be re-enabled within an interrupt service routine, to do so is unusual because nesting of interrupts becomes possible, which requires much more programming care than single-level interrupts.

6.4 Addressing Modes

In the M68HC11 CPU, six addressing modes can be used to reference memory: immediate, direct, extended, indexed (with either of two 16-bit index registers and an 8-bit offset), inherent, and relative. Some instructions require an additional byte (a prebyte) before the opcode to accommodate a multiple-page opcode map.

Each of the addressing modes (except inherent) results in an internally generated, double-byte value referred to as the effective address. This value, which is the result of a statement operand field, is the value that appears on the address bus during the memory reference portion of the instruction. The addressing mode is an implicit part of every M68HC11 instruction.

Bit-manipulation instructions actually employ two or three addressing modes during execution but are classified by the addressing mode used to access the primary operand. All bit-manipulation instructions use immediate addressing to fetch a bit mask, and branch variations use relative addressing mode to determine a branch destination.

The following paragraphs provide a description of each addressing mode. In these descriptions, effective address is used to indicate the memory address from which the argument is fetched or stored or from which execution is to proceed.

6.4.1 Immediate (IMM)

In the immediate addressing mode, the actual argument is contained in the byte(s) immediately following the instruction in which the number of bytes matches the size of the register. These instructions are two, three, or four (if prebyte is required) bytes.

Machine-code byte(s) that follow the opcode are the value of the statement rather than the address of a value. In this case, the effective address of the instruction is specified by the character # sign and implicitly points to the byte following the opcode. The immediate value is limited to either one or two bytes, depending on the size of the register involved in the instruction. Examples of several assembly-language

statements using the immediate addressing mode are shown. Symbols and expression used in these statements are defined immediately after the examples.

The first three statements are assembler directives that set up values to be used in the remaining statements. The remaining nine statements are examples of immediate addressing. The value of each statement operand field appears in byte(s) immediately following the opcode. The operand field for immediate addressing begins with the character # sign. The character # sign is used by the assembler to detect the immediate mode of addressing. A common programming error is to forget this character # sign.

Machine Code	Label	Operation	Operand	Comments
	CAT	EQU	7	CAT SAME AS 7
		ORG	\$1000	SET LOCATION COUNTER
	REGS	EQU	*	ADDR(REGS) IS \$1000
86 16		LDAA	#22	DECIMAL 22 ⇒ ACCA (\$16)
C8 34		EORB	#\$34	XOR (\$34,ACCB) ⇒ ACCB
81 24		CMPA	##100100	RIGHT ALIGNED BINARY
86 07		LDAA	#CAT	7 ⇒ ACCA
CC 12 34		LDD	#\$1234	
CC 00 07		LDD	#7	7 ⇒ ACCA:ACCB
86 12		LDAA	#@22	OCTAL
86 41		LDAA	#'A	ASCII
CE 10 00		LDX	#REGS	ADDR(REGS) ⇒ X

A variety of symbols and expressions can be used following the character # sign. Since not all assemblers use the same rules of syntax and special characters, the user should refer to the documentation for the particular assembler that will be used. Character prefixes used in the previous example statements are defined as follows:

Prefix	Definition
None	Decimal
\$	Hexadecimal
@	Octal
%	Binary
'	Single ASCII character

6.4.2 Extended (EXT)

In the extended addressing mode, the effective address of the instruction appears explicitly in the two bytes following the opcode. Therefore, the length of most instructions using the extended addressing mode is three bytes: one for the opcode and two for the effective address. The last two bytes of the instruction contain the absolute address of the operand. These instructions are three or four (if prebyte is required) bytes: one or two for the opcode and two for the effective address. Instructions from the second, third, and fourth opcode map pages require a page-select prebyte prior to the opcode byte. Only four extended addressing mode instructions involving index register Y require this extra prebyte.

Examples of assembly-language statements that use extended addressing mode are grouped with direct addressing mode examples and appear after the discussion of the direct addressing mode.

6.4.3 Direct (DIR)

In the direct addressing mode, the least significant byte of the effective address of the instruction appears in the byte following the opcode. The high-order byte of the effective address is assumed to be \$00 and is not included as an instruction byte (saves program memory space and execution time). This fact limits the use of direct addressing mode to operands in the \$0000–\$00FF area of memory (called the direct page). The direct addressing mode is sometimes called zero-page addressing mode. The length of most instructions using the direct addressing mode is two bytes: one for the opcode and one for the effective address. Instructions from the second, third, and fourth opcode-map pages require a page-select prebyte prior to the opcode byte. Only four direct addressing mode instructions involving index register Y require this extra prebyte.

Direct addressing allows the user to access \$0000–\$00FF, using instructions that take one less byte of program memory space than the equivalent instructions using extended addressing. By eliminating the additional memory access, execution time is reduced by one cycle. In the course of a large program, this savings can be substantial. For most

applications, the default memory map of the MCU, which places internal random-access memory (RAM) in the \$0000–\$00FF area, is a good choice because the designer can assign these locations to frequently referenced data variables. In some MCU applications, it is desirable to locate the internal registers in this premium memory space. This arrangement might be desirable in an I/O-intensive application in which the program space savings are important or in the case of some very critical timing requirement in which the extra cycle for extended addressing mode is undesirable. In the M68HC11 MCU, software can configure the memory map so that internal RAM, and/or internal registers, or external memory space can occupy these addresses (see [3.5.1 RAM and I/O Mapping Register \(INIT\)](#)).

Some instructions provide for extended addressing mode but not direct addressing mode. These instructions, which are members of a group called read-modify-write instructions, operate directly on memory (opcodes \$40–\$7F except jump (JMP) and test for zero or minus (TST) on all opcode pages) and have the following form:

<operation>M ⇒ M

The increment memory byte (INC), decrement memory byte (DEC), clear memory byte (CLR), and one's complement memory byte (COM) instructions are members of this group, and each supports extended addressing mode but not direct addressing mode. The following example shows the direct and extended addressing modes.

Machine Code	Label	Operation	Operand	Comments
B3 00 12		SUBD	CAT	FWD REF TO CAT
	CAT	EQU	\$12	DEFINE CAT = \$12
93 12		SUBD	CAT	BKWD REF TO CAT
7F 00 12		CLR	CAT	EXTENDED ONLY

In the previous example, the first reference to the CAT label is a forward reference, and the assembler selected the extended addressing mode. The second reference, which is a backward reference, enabled the assembler to know the symbol value when processing the statement, and the assembler selected the direct addressing mode. The last reference to CAT is also a backward reference to a symbol in the direct addressing area, but the extended addressing mode was selected

because there is no direct addressing mode variation of that particular instruction. Some assemblers allow the direct or extended addressing modes to be forced (by preceding the operand field with < or >, respectively), even when other conditions would suggest the other mode.

6.4.4 Indexed (INDX and INDY)

In the indexed addressing mode, either index register X or Y is used in calculating the effective address. In this case, the effective address is variable and depends on the current contents of index register X or Y and a fixed, 8-bit, unsigned offset contained in the instruction. This addressing mode can be used to reference any memory location in the 64-Kbyte address space. These instructions are usually two or three bytes (if prebyte is required) — the opcode and the 8-bit offset.

In microprocessor-based systems, instructions usually reside in read-only memory (ROM). Therefore, the offset in the instruction should be considered a fixed value that is determined at assembly time rather than during program execution. The use of dynamic single-byte offsets is facilitated with the use of the add accumulator B to index register X (ABX) instruction. More complex address calculations are aided by the arithmetic capability of the 16-bit accumulator D and the XGDX and XGDY instructions.

If no offset is specified or desired, the machine code will contain \$00 in the offset byte. The offset is an unsigned single-byte value that, when added to the current value in the index register, yields the effective address of the operand, leaving the index register unchanged. Because the offset byte is unsigned, only positive offsets in the range 0–255 can be specified. To use the indexed addressing mode to access on-chip registers in the MC68HC11A8, it is best to initialize the index register to the starting address of the register block (usually \$1000) and use an 8-bit offset (\$00–\$3F) in the instructions that access registers. This method is preferred over loading the index register with the 16-bit address of a register and then specifying a zero offset in the instruction. This latter method requires modification of the index register for each register access; whereas, the former method does not.

Examples of the indexed addressing mode are shown (EA indicates effective address):

Machine Code	Label	Operation	Operand	Comments
E3 00		ADDD	X	EA= (X)
E3 00		ADDD	, X	EA= (X)
E3 00		ADDD	0 , X	EA= (X)
E3 04		ADDD	4 , X	EA= (X) +4
	CAT	EQU	7	DEFINE CAT=7
E3 07		ADDD	CAT , X	EA= (X) +7
E3 22		ADDD	\$22 , X	EA= (X) +\$22
E3 22		ADDD	CAT*8 / 2+6 , X	EA= (X) + (CAT*8÷2+6)

Bit-manipulation instructions support direct and indexed addressing modes but not extended addressing mode. The indexed addressing mode becomes very important for these instructions because the direct addressing mode only permits access to the first 256 memory locations; whereas, the indexed addressing mode allows access to any memory location in the 64-Kbyte memory map.

The second index register (Y) improves the efficiency of move operations and operations involving data from more than one table. Most instructions involving index register Y require two-byte opcodes, thus requiring one extra byte of program memory space and one extra cycle of execution time compared to the equivalent index register X instruction.

6.4.5 Inherent (INH)

In the inherent addressing mode, everything needed to execute the instruction is inherently known by the CPU. The operands (if any) are CPU registers and thus are not fetched from memory. These instructions are usually one or two bytes.

Many M68HC11 MCU instructions use one or more registers as operands. For instance, the ABA instruction causes the CPU to add the contents of accumulators A and B and place the result in accumulator A. The INCB instruction causes the contents of accumulator B to be

incremented by one. Similarly, the INX instruction causes the index register X to be incremented by one. These three assembly-language statements are examples of the inherent addressing mode:

Machine Code	Label	Operation	Operand	Comments
1B		ABA		$A + B \Rightarrow A$
5C		INCB		$B + 1 \Rightarrow B$
08		INX		$X + 1 \Rightarrow X$

6.4.6 Relative (REL)

The relative addressing mode is used only for branch instructions. Branch instructions, other than the branching versions of bit-manipulation instructions, generate two machine code bytes: one for the opcode and one for the relative offset. Because it is desirable to branch in either direction, the offset byte is a signed twos-complement offset with a range of -128 to $+127$ bytes (with respect to the address of the instruction immediately following the branch instruction). If the branch condition is true, the contents of the 8-bit signed byte following the opcode (offset) are added to the contents of the program counter to form the effective branch address; otherwise, control proceeds to the instruction immediately following the branch instruction.

The offset byte is always the last byte of a branch instruction. If the offset byte is 0, execution will proceed to the instruction immediately following the branch instruction, regardless of the test involved. A branch always (BRA) instruction with an offset of $\$FE$ will result in an infinite loop back to itself. Direct or indexed X addressing mode branch if bit clear (BRCLR) and branch if bit set (BRSET) instructions are four-byte instructions; therefore, an offset byte of $\$FC$ will cause the instruction to execute repeatedly until the bit test becomes false. Indexed Y addressing mode BRCLR and BRSET instructions are five-byte instructions; thus, an offset byte of $\$FB$ will cause the instruction to execute repeatedly until the bit test becomes false.

Examples of the relative addressing mode are shown in the following assembly-language statements:

Machine Code	Label	Operation	Operand	Comments
20 00	THERE	BRA	WHERE	FORWARD BRANCH
22 FC	WHERE	BHI	THERE	BACKWARD BRANCH
24 04		BCC	LBCC	L-O-N-G BCC
27 FE	HANG	BEQ	HANG	BRANCH TO SELF
27 FE		BEQ	*	"*" MEANS "HERE"
7E 10 00	LBCC	JMP	\$1000	
8D F7		BSR	HANG	

6.5 M68HC11 Instruction Set

This section explains the basic capabilities and organization of the instruction set. For this discussion, the instruction set is divided into functional groups of instructions. Some instructions appear in more than one functional group. For example, transfer accumulator A to CCR (TAP) appears in the CCR group and in the load/store/transfer subgroup of accumulator/memory instructions. Detailed explanations of each instruction are given in [Appendix A. Instruction Set Details](#).

To expand the number of instructions used in the M68HC11 CPU, a prebyte mechanism that affects certain instructions has been added. Most of the instructions affected are associated with index register Y. Instructions that do not require a prebyte reside in page 1 of the opcode map. Instructions requiring a prebyte reside in pages 2, 3, and 4 of the opcode map. The opcode-map prebyte codes are \$18 for page 2, \$1A for page 3, and \$CD for page 4. A prebyte code applies only to the opcode immediately following it. That is, all instructions are assumed to be single-byte opcodes unless the first byte of the instruction happens to correspond to one of the three prebyte codes rather than a page 1 opcode.

6.5.1 Accumulator and Memory Instructions

Most of these instructions use two operands. One operand is either an accumulator or an index register; whereas, the second operand is usually obtained from memory using one of the addressing modes discussed earlier. These accumulator memory instructions can be divided into six subgroups:

1. Loads, stores, and transfers
2. Arithmetic operations
3. Multiply and divide
4. Logical operations
5. Data testing and bit manipulation
6. Shifts and rotates

These instructions are discussed in the following tables and paragraphs.

6.5.1.1 Loads, Stores, and Transfers

Almost all MCU activities involve transferring data from memories or peripherals into the CPU or transferring results from the CPU into memory or I/O devices. The load, store, and transfer instructions associated with the accumulators are summarized in [Table 6-1](#). Additional load, store, push, and pull instructions are associated with the index registers and stack pointer register (see [6.5.2 Stack and Index Register Instructions](#)).

Table 6-1. Load, Store, and Transfer Instructions

Function	Mnemonic	IMM	DIR	EXT	INDX	INDY	INH
Clear Memory Byte	CLR			X	X	X	
Clear Accumulator A	CLRA						X
Clear Accumulator B	CLRB						X
Load Accumulator A	LDAA	X	X	X	X	X	
Load Accumulator B	LDAB	X	X	X	X	X	
Load Double Accumulator D	LDD	X	X	X	X	X	
Pull A from Stack	PULA						X
Pull B from Stack	PULB						X
Push A onto Stack	PSHA						X
Push B onto Stack	PSHB						X
Store Accumulator A	STAA	X	X	X	X	X	
Store Accumulator B	STAB	X	X	X	X	X	
Store Double Accumulator D	STD	X	X	X	X	X	
Transfer A to B	TAB						X
Transfer A to CCR	TAP						X
Transfer B to A	TBA						X
Transfer CCR to A	TPA						X
Exchange D with X	XGDX						X
Exchange D with Y	EGDY						X

6.5.1.2 Arithmetic Operations

This group of instructions supports arithmetic operations on a variety of operands; 8- and 16-bit operations are supported directly and can easily be extended to support multiple-word operands. Twos-complement (signed) and binary (unsigned) operations are supported directly. BCD arithmetic is supported by following normal arithmetic instruction sequences, using the DAA instruction, which restores results to BCD format. Compare instructions perform a subtract within the CPU to update the condition code bits without altering either operand. Although test instructions are provided, they are seldom needed since almost all other operations automatically update the condition code bits.

Table 6-2. Arithmetic Operation Instructions

Function	Mnemonic	IMM	DIR	EXT	INDX	INDY	INH
Add Accumulators	ABA						X
Add Accumulator B to X	ABX						X
Add Accumulator B to Y	ABY						X
Add with Carry to A	ADCA	X	X	X	X	X	
Add with Carry to B	ADCB	X	X	X	X	X	
Add Memory to A	ADDA	X	X	X	X	X	
Add Memory to B	ADDB	X	X	X	X	X	
Add Memory to D (16 Bit)	ADDD	X	X	X	X	X	
Compare A to B	CBA						X
Compare A to Memory	CMPA	X	X	X	X	X	
Compare B to Memory	CMPB	X	X	X	X	X	
Compare D to Memory (16 Bit)	CPD	X	X	X	X	X	
Decimal Adjust A (for BCD)	DAA						X
Decrement Memory Byte	DEC			X	X	X	
Decrement Accumulator A	DECA						X
Decrement Accumulator B	DECB						X
Increment Memory Byte	INC			X	X	X	
Increment Accumulator A	INCA						X
Increment Accumulator B	INCB						X

Table 6-2. Arithmetic Operation Instructions (Continued)

Function	Mnemonic	IMM	DIR	EXT	INDX	INDY	INH
Twos Complement Memory Byte	NEG			X	X	X	
Twos Complement Accumulator A	NEGA						X
Twos Complement Accumulator B	NEGB						X
Subtract with Carry from A	SBCA	X	X	X	X	X	
Subtract with Carry from B	SBCB	X	X	X	X	X	
Subtract Memory from A	SUBA	X	X	X	X	X	
Subtract Memory from B	SUBB	X	X	X	X	X	
Subtract Memory from D (16 Bit)	SUBD	X	X	X	X	X	
Test for Zero or Minus	TST			X	X	X	
Test for Zero or Minus A	TSTA						X
Test for Zero or Minus B	TSTB						X

6.5.1.3 Multiply and Divide

One multiply and two divide instructions are provided. The 8-bit by 8-bit multiply produces a 16-bit result. The integer divide (IDIV) performs a 16-bit by 16-bit divide, producing a 16-bit result and a 16-bit remainder. The fractional divide (FDIV) divides a 16-bit numerator by a larger 16-bit denominator, producing a 16-bit result (a binary weighted fraction between 0 and 0.99998) and a 16-bit remainder. FDIV can be used to further resolve the remainder from an IDIV or FDIV operation.

Table 6-3. Multiply and Divide Instructions

Function	Mnemonic	INH
Multiply ($A \times B \Rightarrow D$)	MUL	X
Fractional Divide ($D \div X \Rightarrow X; r \Rightarrow D$)	FDIV	X
Integer Divide ($D \div X \Rightarrow X; r \Rightarrow D$)	IDIV	X

6.5.1.4 Logical Operations

This group of instructions is used to perform the Boolean logical operations AND, inclusive OR, exclusive OR, and one's complement.

Table 6-4. Logical Operation Instructions

Function	Mnemonic	IMM	DIR	EXT	INDX	INDY	INH
AND A with Memory	ANDA	X	X	X	X	X	
AND B with Memory	ANDB	X	X	X	X	X	
Bit(s) Test A with Memory	BITA	X	X	X	X	X	
Bit(s) Test B with Memory	BITB	X	X	X	X	X	
One's Complement Memory Byte	COM			X	X	X	
One's Complement A	COMA						X
One's Complement B	COMB						X
OR A with Memory (Exclusive)	EORA	X	X	X	X	X	
OR B with Memory (Exclusive)	EORB	X	X	X	X	X	
OR A with Memory (Inclusive)	ORAA	X	X	X	X	X	
OR B with Memory (Inclusive)	ORAB	X	X	X	X	X	

6.5.1.5 Data Testing and Bit Manipulation

This group of instructions is used to operate on operands as small as a single bit, but these instructions can also operate on any combination of bits within any 8-bit location in the 64-Kbyte memory space. The bit test (BITA or BITB) instructions perform an AND operation within the CPU to update condition code bits without altering either operand. The BSET and BCLR instructions read the operand, manipulate selected bits within the operand, and write the result back to the operand address. Some care is required when read-modify-write instructions such as BSET and BCLR are used on I/O and control register locations because the physical location read is not always the same as the location written.

Table 6-5. Data Testing and Bit Manipulation Instructions

Function	Mnemonic	IMM	DIR	EXT	INDX	INDY
Bit(s) Test A with Memory	BITA	X	X	X	X	X
Bit(s) Test B with Memory	BITB	X	X	X	X	X
Clear Bit(s) in Memory	BCLR		X		X	X
Set Bit(s) in Memory	BSET		X		X	X
Branch if Bit(s) Clear	BRCLR		X		X	X
Branch if Bit(s) Set	BRSET		X		X	X

6.5.1.6 Shifts and Rotates

All the shift and rotate functions in the M68HC11 CPU involve the carry bit in the CCR in addition to the 8- or 16-bit operand in the instruction, which permits easy extension to multiple-word operands. Also, by setting or clearing the carry bit before a shift or rotate instruction, the programmer can easily control what will be shifted into the opened end of an operand. The arithmetic shift right (ASR) instruction maintains the original value of the MSB of the operand, which facilitates manipulation of twos-complement (signed) numbers.

Table 6-6. Shift and Rotate Instructions

Function	Mnemonic	IMM	DM	EXT	INDX	INDY	INH
Arithmetic Shift Left Memory	ASL			X	X	X	
Arithmetic Shift Left A	ASLA						X
Arithmetic Shift Left B	ASLB						X
Arithmetic Shift Left Double	ASLD						X
Arithmetic Shift Right Memory	ASR			X	X	X	
Arithmetic Shift Right A	ASRA						X
Arithmetic Shift Right B	ASRB						X
(Logical Shift Left Memory)	(LSL)			X	X	X	
(Logical Shift Left A)	(LSLA)						X
(Logical Shift Left B)	(LSLB)						X
(Logical Shift Left Double)	(LSLD)						X
Logical Shift Right Memory	LSR			X	X	X	
Logical Shift Right A	LSRA						X
Logical Shift Right B	LSRB						X
Logical Shift Right D	LSRD						X
Rotate Left Memory	ROL			X	X	X	
Rotate Left A	ROLA						X
Rotate Left B	ROLB						X
Rotate Right Memory	ROR			X	X	X	
Rotate Right A	RORA						X
Rotate Right B	RORB						X

The logical-left-shift instructions are shown in parentheses because there is no difference between an arithmetic and a logical left shift. Both mnemonics are recognized by the assembler as equivalent, but having both instruction mnemonics makes some programs easier to read.

6.5.2 Stack and Index Register Instructions

Table 6-7 summarizes the instructions available for the 16-bit index registers (X and Y) and the 16-bit stack pointer.

Table 6-7. Stack and Index Register Instructions

Function	Mnemonic	IMM	DIR	EXT	INDX	INDY	INH
Add Accumulator B to X	ABX						X
Add Accumulator B to Y	ABY						X
Compare X to Memory (16 Bit)	CPX	X	X	X	X	X	
Compare Y to Memory (16 Bit)	CPY	X	X	X	X	X	
Decrement Stack Pointer	DES						X
Decrement Index Register X	DEX						X
Decrement Index Register Y	DEY						X
Increment Stack Pointer	INS						X
Increment Index Register X	INX						X
Increment Index Register Y	INY						X
Load Index Register X	LDX	X	X	X	X	X	
Load Index Register Y	LDY	X	X	X	X	X	
Load Stack Pointer	LDS	X	X	X	X	X	
Pull X from Stack	PULX						X
Pull Y from Stack	PULY						X
Push X onto Stack	PSHX						X
Push Y onto Stack	PSHY						X
Store Index Register X	STX	X	X	X	X	X	
Store Index Register Y	STY	X	X	X	X	X	
Store Stack Pointer	STS	X	X	X	X	X	
Transfer SP to X	TSX						X
Transfer SP to Y	TSY						X
Transfer X to SP	TXS						X
Transfer Y to SP	TYS						X
Exchange D with X	XGDX						X
Exchange D with Y	XGDY						X

The exchange D with X (XGD_X) and exchange D with Y (XGD_Y) provide a simple way of transferring a pointer value from a 16-bit index register to accumulator D, which has more powerful 16-bit arithmetic capabilities than the 16-bit index registers. Since these are bidirectional exchanges, the original value of accumulator D is automatically preserved in the index register while the pointer is being manipulated in accumulator D. When pointer calculations are finished, another exchange simultaneously updates the index register and restores accumulator D to its former value.

The transfers between an index register and the stack pointer deserve additional comment. The stack pointer always points at the next free location on the stack as opposed to the last item that was pushed onto the stack. The usual reason for transferring the stack pointer value into an index register is to allow indexed addressing access to information that was formerly pushed onto the stack. In such cases, the address pointed to by the stack pointer is of no value since nothing has yet been stored at that location. This fact explains why the value in the stack pointer is incremented during transfers to an index register. There is a corresponding decrement of a 16-bit value as it is transferred from an index register to the stack pointer.

6.5.3 Condition Code Register Instructions

These instructions allow a programmer to manipulate bits in the CCR.

Table 6-8. Condition Code Register Instructions

Function	Mnemonic	INH
Clear Carry Bit	CLC	X
Clear Interrupt Mask Bit	CLI	X
Clear Overflow Bit	CLV	X
Set Carry Bit	SEC	X
Set Interrupt Mask Bit	SEI	X
Set Overflow Bit	SEV	X
Transfer A to CCR	TAP	X
Transfer CCR to A	TPA	X

Initially, it may appear that there should be a set and a clear instruction for each of the eight bits in the CCR; however, these instructions are present for only three of the eight bits (C, I, and V). Upon closer consideration, good reasons exist for not including the set and clear instructions for the other five bits. The STOP disable (S) bit is an unusual case because this bit is intended to lock out the STOP instruction for those who view it as an undesirable function in their application. Providing set and clear instructions for this bit would make it easier to enable STOP when it was not wanted or disable STOP when it was wanted. The TAP instruction provides a way to change the S bit but reduces the chance of an undesirable change to S because the value of accumulator A at the time the TAP instruction is executed determines whether the S bit will actually change.

The XIRQ mask (X bit) is another unusual case. The definition of this bit specifically states that software shall not be allowed to change X from 0 to 1; in fact, this change is even prohibited by hardware logic. This feature immediately eliminates a need for a set X instruction. For arguments similar to those used for the S bit, the TAP instruction is preferred over a clear X instruction to clear X because TAP makes it a little less likely that X will become cleared before the programmer intended.

The half-carry (H) bit needs no set or clear instructions because this condition code bit is used only by the DAA instruction to adjust the result of a BCD add or subtract. Since the H bit is not used as a test condition for any branches, it would not be useful to be able to set or clear this bit.

This leaves only the negative (N) and zero (Z) condition code bits. In contrast to S, X, and H, it is often useful to be able to easily set or clear these flag bits. A clear accumulator instruction, such as CLRB, will clear the N and set the Z condition code bits. The load instruction, LDAA #\$80, causes N to be set and Z to be cleared. Since there are so many simple instructions that can set or clear N and Z, it is not necessary to provide specific set and clear instructions for N and Z in this group.

6.5.4 Program Control Instructions

This group of instructions, which is used to control the flow of a program rather than to manipulate data, is divided into five subgroups:

1. Branches
2. Jumps
3. Subroutine calls and returns
4. Interrupt handling
5. Miscellaneous

6.5.4.1 Branches

These instructions allow the CPU to make decisions based on the contents of the condition code bits. All decision blocks in a flow chart would correspond to one of the conditional branch instructions summarized in [Table 6-9](#).

Table 6-9. Branch Instructions

Function	Mnemonic	REL	DIR	INDX	INDY	Comments
Branch if Carry Clear	BCC	X				C = 0 ?
Branch if Carry Set	BCS	X				C = 1 ?
Branch if Equal Zero	BEQ	X				Z = 1 ?
Branch if Greater Than or Equal	BGE	X				Signed \geq
Branch if Greater Than	BGT	X				Signed $>$
Branch if Higher	BHI	X				Unsigned $>$
Branch if Higher or Same (same as BCC)	BHS	X				Unsigned \geq
Branch if Less Than or Equal	BLE	X				Signed \leq
Branch if Lower (same as BCS)	BLO	X				Unsigned $<$
Branch if Lower or Same	BLS	X				Unsigned \leq
Branch if Less Than	BLT	X				Signed $<$
Branch if Minus	BMI	X				N = 1 ?
Branch if Not Equal	BNE	X				Z = 0 ?
Branch if Plus	BPL	X				N = 0 ?
Branch if Bit(s) Clear in Memory Byte	BRCLR		X	X	X	Bit Manipulation
Branch Never	BRN	X				3-cycle NOP
Branch if Bit(s) Set in Memory Byte	BRSET		X	X	X	Bit Manipulation
Branch if Overflow Clear	BVC	X				V = 0 ?
Branch if Overflow Set	BVS	X				V = 1 ?

The limited range of branches ($-128/+127$ locations) is more than adequate for most (but not all) situations. In cases where this range is too short, a jump instruction must be used. For every branch, there is a branch for the opposite condition; thus, it is simple to replace a branch

having an out-of-range destination with a sequence consisting of the opposite branch around a jump to the out-of-range destination. For example, if a program contained this instruction

BHI TINBUK2 Unsigned >

where TINBUK2 was out of the $-128/+127$ location range, this instruction sequence could be substituted:

BLS	AROUND	Unsigned \leq
JMP	TINBUK2	Still go to TINBUK2 if >
AROUND EQU	*	

6.5.4.2 Jumps

The jump instruction allows control to be passed to any address in the 64-Kbyte memory map.

Table 6-10. Jump Instruction

Function	Mnemonic	DIR	EXT	INDX	INDY	INH
Jump	JMP	X	X	X	X	

6.5.4.3 Subroutine Calls and Returns (BSR, JSR, and RTS)

These instructions provide an easy way to divide a programming task into manageable blocks called subroutines. The CPU automates the process of remembering the address in the main program where processing should resume after the subroutine is finished. This address is automatically pushed onto the stack when the subroutine is called and is pulled off the stack during the RTS instruction that ends the subroutine.

Table 6-11. Subroutine Call and Return Instructions

Function	Mnemonic	REL	DIR	EXT	INDX	INDY	INH
Branch to Subroutine	BSR	X					
Jump to Subroutine	JSR		X	X	X	X	
Return from Subroutine	RTS						X

6.5.4.4 Interrupt Handling (RTI, SWI, and WAI)

This group of instructions is related to interrupt operations.

Table 6-12. Interrupt Handling Instructions

Function	Mnemonic	INH
Return from Interrupt	RTI	X
Software Interrupt	SWI	X
Wait for Interrupt	WAI	X

The software interrupt (SWI) instruction is similar to a JSR instruction, except the contents of all working CPU registers are saved on the stack rather than just the return address. SWI is unusual in that it is requested by the software program as opposed to other interrupts that are requested asynchronously to the executing program.

Wait for interrupt (WAI) has two main purposes. WAI is executed to place the MCU in a reduced power-consumption standby state (wait mode) until some interrupt occurs. It is also used to reduce the latency time to some important interrupt. The reduction of latency occurs because the time-consuming task of storing the CPU registers on the stack is performed as soon as the WAI instruction begins executing. When the interrupt finally occurs, the CPU is ready to fetch the appropriate vector so the delay associated with register stacking is eliminated from latency calculations.

6.5.4.5 Miscellaneous (NOP, STOP, and TEST)

NOP, which can be used to introduce a small time delay into the flow of a program, is often useful in meeting the timing requirements of slow peripherals. By incorporating NOP instructions into loops, longer delays can be produced.

Table 6-13. Miscellaneous Instructions

Function	Mnemonic	INH
No Operation (2-cycle delay)	NOP	X
Stop Clocks	STOP	X
Test	TEST	X

During debugging, it is common to replace various instructions with NOP opcodes to effectively remove an unwanted instruction without having to rearrange the rest of the program. By using the memory modify function of a debug monitor, the instruction can easily be removed and restored to see the effect.

Occasionally, a programmer is faced with the problem of fine-tuning the delays through various paths in his program. In such cases, it is sometimes useful to use a branch never (BRN) instruction as a 3-cycle NOP. It is also possible to fine-tune execution time by choosing alternate addressing-mode variations of instructions to change the execution time of an instruction sequence without changing the program's function.

STOP is an unusual instruction because it causes the oscillator and all MCU clocks to freeze. This frozen state is called stop mode, and power consumption is dramatically reduced in this mode. The operation of this instruction is also dependent upon the S condition code bit because the stop mode is not appropriate for all applications. If S is 1, the STOP instruction is treated as a NOP instruction, and processing continues to the next instruction.

The TEST instruction is used only during factory testing and is treated as an illegal opcode in normal operating modes of the MCU. This instruction causes unusual behavior on the address bus (counts backward), which prevents its use in any normal system.

Section 7. Parallel Input/Output

7.1 Contents

7.2	Introduction	230
7.3	Parallel I/O Overview	231
7.4	Parallel I/O Register and Control Bit Explanations	234
7.4.1	Port Registers	236
7.4.2	Data Direction Registers	236
7.5	Detailed I/O Pin Descriptions	238
7.5.1	Port A	238
7.5.1.1	PA2–PA0 (IC3–IC1) Pin Logic	238
7.5.1.2	PA6–PA3 (OC5–OC2) Pin Logic	240
7.5.1.3	PA7 (OC1 and PAI) Pin Logic	242
7.5.1.4	Port A Idealized Timing	244
7.5.2	Port B	245
7.5.2.1	Port B Pin Logic	245
7.5.2.2	Port B Idealized Timing	246
7.5.2.3	Special Considerations for Port B on MC68HC24 PRU	248
7.5.3	R/W (STRB) Pin	248
7.5.3.1	R/W (STRB) Pin Logic	248
7.5.3.2	Special Considerations for STRB on MC68HC24 PRU	250
7.5.4	Port C	251
7.5.4.1	Port C Pin Logic for Expanded Modes	251
7.5.4.2	Summary of Port C Idealized Expanded Mode Timing	252
7.5.4.3	Port C Single-Chip Mode Pin Logic	253
7.5.4.4	Port C Idealized Single-Chip Mode Timing	257
7.5.4.5	Special Considerations for Port C on MC68HC24 PRU	259

7.5.5	AS (STRA) Pin	259
7.5.5.1	AS (STRA) Pin Logic	259
7.5.5.2	Special Considerations for STRA on MC68HC24 PRU	261
7.5.6	Port D	261
7.5.6.1	PD0 (RxD) Pin Logic	262
7.5.6.2	PD1 (TxD) Pin Logic	264
7.5.6.3	PD2 (MISO) Pin Logic	266
7.5.6.4	PD3 (MOSI) Pin Logic	269
7.5.6.5	PD4 ($\overline{\text{SCK}}$) Pin Logic	272
7.5.6.6	PD5 ($\overline{\text{SS}}$) Pin Logic	274
7.5.6.7	Idealized Port D Timing	277
7.5.7	Port E	278
7.5.7.1	Port E Pin Logic	278
7.5.7.2	Idealized Port E Timing	280
7.6	Handshake I/O Subsystem	281
7.6.1	Simple Strobe Mode	282
7.6.1.1	Port B Strobe Output	283
7.6.1.2	Port C Simple Latching Input	283
7.6.2	Full-Input Handshake Mode	283
7.6.3	Full-Output Handshake Mode	285
7.6.3.1	Normal Output Handshake	286
7.6.3.2	Three-State Variation of Output Handshake	286
7.6.4	Parallel I/O Control Register (PIOC)	286
7.6.5	Non-Handshake Uses of STRA and STRB Pins	290

7.2 Introduction

This section describes parallel input/output (I/O) operations in the MC68HC11A8, which includes port reads and writes as well as strobe and handshake operations on ports B and C. The section begins with an overview, followed by detailed descriptions of each port and the handshake I/O subsystem. A number of schemes for efficient use of parallel I/O on the MC68HC11A8 are included.

7.3 Parallel I/O Overview

The MC68HC11A8 has a total of 40 I/O pins, which are discussed in [7.5 Detailed I/O Pin Descriptions](#). All these pins are shared between general-purpose I/O usage and at least one other on-chip peripheral function. Although the following paragraphs are primarily concerned with the general-purpose I/O capabilities of these pins, some important interactions with the alternate functions also are discussed.

Shared functions of port A include general-purpose I/O, the main timer system, and the pulse accumulator system. Port A has three fixed-direction input pins, four fixed-direction output pins, and one bidirectional pin. The direction of the PA7 pin is controlled by the data direction register A bit 7 control bit (DDRA7) in the pulse accumulator control (PACTL) register. Port A data is read from and written to the PORTA register. Meaningful data may be read from port A even when the pins are configured for an alternate timer or pulse accumulator function. Data written to port A does not directly affect port A pins configured for an alternate timer output function, but the data is remembered in an internal latch so that, if the alternate function is disabled later, the last data written to port A will be driven out of the associated output pin.

Ports B and C and the strobe A (STRA) and strobe B (STRB) pins should be considered together because their function depends on the basic operating mode of the MC68HC11A8. When the microcontroller unit (MCU) is operating in a single-chip mode, these 18 pins are used for general-purpose I/O and for the handshake I/O subsystem. When the MCU is operating in an expanded mode, these pins are used for a multiplexed address/data bus. The handshake and general-purpose I/O functions, which are lost in the expanded mode, can be regained by use of the MC68HC24 port replacement unit. Special care was taken in designing both these parts so that software could be developed on an expanded system using these two parts and then later be mask programmed into the read-only memory (ROM) of an MC68HC11A8, which will be used in single-chip mode.

Although care was taken to ensure that the expanded system with an MC68HC24 would work exactly like the MC68HC11A8 in single-chip

mode, there are a few subtle differences. For the vast majority of applications, these differences are irrelevant. For the benefit of those rare cases where a problem could arise, the differences will be explained in the detailed descriptions of these ports and pins in [7.5 Detailed I/O Pin Descriptions](#).

Port B is a general-purpose, 8-bit, fixed-direction output port. Writes to the port B register (PORTB) cause data to be latched and driven out of the port B pins. Reads of PORTB return the last data that was written to port B. When the handshake I/O subsystem is operating in simple strobed mode, writes to PORTB automatically cause a pulse on the STRB output pin. The simple strobe mode is selected by the handshake (HNDS) control bit equal to 0 in the parallel I/O control (PIOC) register.

Port C is a general-purpose, 8-bit, bidirectional I/O port. The primary direction of data flow at each port C pin is independently controlled by a corresponding bit in the data direction control register for port C (DDRC). In addition to normal I/O functions at port C, there is an independent, 8-bit, parallel latch that captures port C data whenever a selected active edge is detected on the STRA input pin. Reads of PORTCL return the contents of this port C latch; whereas, reads of PORTC return the current data from port C. Writes to either PORTC or PORTCL cause the written data to be driven out of port C output pins. However, PORTCL writes also trigger output handshake sequences; PORTC writes do not. Writes to port C pins not configured as outputs do not cause data to be driven out of those pins, but the data is remembered in internal latches. Thus, if the pins later become outputs, the last data written to PORTC or PORTCL will be driven out the port C pins.

Port C can be configured for wired-OR operation by setting the port C wired-OR mode (CWOM) control bit in the PIOC register. This procedure disables the P-channel pullup drivers of port C output pins and allows port C pins to be directly connected to each other or to other open-drain-type pins. In this configuration, there is no danger of destructive conflicts if two output drivers try to drive the same node at the same time. As with any open-drain line, an external pullup resistor is required.

Whenever the handshake I/O subsystem is configured for a full-handshake mode, port C is used for parallel data input or output. STRA is a strobe input pin that causes port C data to be captured when a selected edge is detected. In the three-state variation of full-output handshake, the STRA pin also acts as an output enable control to force port C pins to be driven outputs while STRA is in its selected state. STRB is a strobe output pin that can be used in a pulsed or interlocked configuration. In the pulsed configuration, some action in the handshake I/O subsystem initiates STRB, which then stays active for two E-clock cycles before reverting to its inactive state. In the interlocked configuration, STRB is initiated by one action in the handshake subsystem and terminated by a separate action. The final major element of the handshake subsystem is the strobe A flag (STAF) status bit. STAF is always set upon recognition of the selected edge at the STRA pin, but the action that clears STAF depends on the handshake mode. A more detailed description of the handshake I/O subsystem is located in [7.6 Handshake I/O Subsystem](#).

Port D is a general-purpose, 6-bit, bidirectional data port. Two port D pins are alternately used by the asynchronous serial communications interface (SCI) subsystem. The remaining four port D pins are alternately used by the synchronous serial peripheral interface (SPI) subsystem. The primary direction of data flow at each of the port D pins is selected by a corresponding bit in the data direction register for port D (DDRD). Port D can be configured for wired-OR operation by setting the port D wired-OR mode control bit (DWOM) in the SPI control register (SPCR).

Port E is an 8-bit, fixed-direction input port. Port E pins alternately function as analog-to-digital (A/D) converter channel inputs. Port E input buffers are specially designed so they will not draw excessive power-supply currents when their inputs are driven by intermediate levels.

7.4 Parallel I/O Register and Control Bit Explanations

Figure 7-1 shows all the registers and control bits concerned with the discussion of parallel I/O in the following paragraphs. The registers are shown in the order they appear in the memory map of the MC68HC11A8 because this order is significant in the case of double-byte reads and writes. **Figure 7-2** shows a number of registers and control bits mentioned in **7.5 Detailed I/O Pin Descriptions**. These control bits are used to enable other on-chip peripheral subsystems to use the I/O pins. These registers, which are shown here for reference, are discussed throughout this manual. Bit positions labeled with a 0 rather than a name indicate unimplemented bits that always read as 0s. Shaded bits are not directly related to the discussion of parallel I/O.

Reg. Name	Address	Bit 7	6	5	4	3	2	1	Bit 0
PORTA	\$1000	Bit 7	—	—	—	—	—	—	Bit 0
PIOC	\$1002	STAF	STAI	CWOM	HNDS	OIN	PLS	EGA	INVB
PORTC	\$1003	Bit 7	—	—	—	—	—	—	Bit 0
PORTB	\$1004	Bit 7	—	—	—	—	—	—	Bit 0
PORTCL	\$1005	Bit 7	—	—	—	—	—	—	Bit 0
DDRC	\$1007	Bit 7	—	—	—	—	—	—	Bit 0
PORTD	\$1008	0	0	Bit 5	—	—	—	—	Bit 0
DDRD	\$1009	0	0	Bit 5	—	—	—	—	Bit 0
PORTE	\$100A	Bit 7	—	—	—	—	—	—	Bit 0
PACTL	\$1026	DDRA7	PAEN	PAMOD	PEDGE	0	0	RTR1	RTR0
SPCR	\$1028	SPIE	SPE	DWOM	MSTR	CPOL	CPHA	SPR1	SPRO

Figure 7-1. Parallel I/O Registers and Control Bits

Reg. Name	Address	Bit 7	6	5	4	3	2	1	Bit 0
CFORC	\$100B	FOC1	FOC2	FOC3	FOC4	FOC5	0	0	0
OC1M	\$100C	OC1M7	OC1M6	OC1M5	OC1M4	OC1M3	0	0	0
OC1D	\$100D	OC1D7	OC1D6	OC1D5	OC1D4	OC1D3	0	0	0
TCTL1	\$1020	OM2	OL2	OM3	OL3	OM4	OL4	OM5	OL5
SPCR	\$1028	SPIE	SPE	DWOM	MSTR	CPOL	CPHA	SPR1	SPR0
SCCR2	\$102D	TIE	TCIE	RIE	ILIE	TE	RE	RWU	SBK
HPRIO	\$103C	RBOOT	SMOD	MDA	IRV	PSEL3	PSEL2	PSEL1	PSEL0
INIT	\$103D	RAM3	RAM2	RAM1	RAM0	REG3	REG2	REG1	REG0

Figure 7-2. Pin Logic Registers and Control Bits

The addresses for the registers in [Figure 7-1](#) and [Figure 7-2](#) are in the form \$10xx where xx is a hexadecimal number between 00 and 3F. The **1** indicates that the most significant hexadecimal digit is a variable controlled by user software. The RAM and I/O mapping (INIT) register is used to specify the location of internal registers and RAM. By default, RAM is located from \$0000 to \$00FF, and registers are located from \$1000 to \$103F at reset. The user can elect to move either one or both of these resources by writing a new value into the INIT register within 64 bus cycles after reset. The INIT register is discussed in greater detail in [Section 4. On-Chip Memory](#).

The bit-manipulation instructions in the MC68HC11A8 can only be used in zero-page or indexed addressing modes. To use indexed addressing mode to access internal registers, the user would first set either the X or Y index register equal to the base address of the registers (usually \$1000). To use the zero-page addressing mode, the user would first remap the internal registers by writing to the INIT register during reset initialization.

7.4.1 Port Registers

Reads of port registers will return either the level at the pin itself or the logic state at a point inside the output pin buffer. Usually, the state of the corresponding DDR bit will determine which of these points will be used for a read if a choice exists. Refer to [7.5 Detailed I/O Pin Descriptions](#) for more specific information. Writes to port registers cause the written data to be latched and driven out of the corresponding port output pins.

If a port pin is capable of being an output, this written information is latched even if the pin is not configured as a port output at the time of the write. If the pin is subsequently reconfigured to be a port output, the output pin will be driven with the last data that was written to that port. Writes to port bits that are fixed-direction input pins have no meaning or effect.

PORTCL, a special port register associated with port C, is part of the handshake I/O subsystem. Reads of this address return data from an 8-bit port C latch. The inputs to this port C latch are connected to the port C pins, and the latches are clocked when a selected edge is recognized at the STRA pin. Contrary to first impressions, writes to PORTCL do not change the data in the port C latch register. Instead, writes to PORTCL are used as an alternate way to write data to port C. In addition to writing data to the port C output latches, writes to PORTCL also trigger special handshake sequences in the handshake I/O subsystem, which allows some port C pins to be treated as general-purpose outputs while others are being used for full-handshake outputs. A user would write data to PORTC to change the non-handshake pins in port C. To change the data on a full-handshake pin of port C, the user would write to PORTCL.

7.4.2 Data Direction Registers

These registers and control bits are used to specify the primary direction of data flow at each bidirectional port pin. A 0 in a data direction register (DDR) bit disables the output buffer for that pin so the pin is configured as an input. When a DDR bit is set to 1, it enables the output driver for the associated port pin so the pin is configured as an output. During reset, internal logic in the MC68HC11A8 forces all DDR bits to 0; thus,

all bidirectional I/O pins are configured as high-impedance inputs until they are reconfigured by software.

In some cases, an enabled on-chip subsystem can override the DDR bit and force a pin to be an input or an output. For example, it is illogical for the TxD pin to be configured as an input while the SCI transmitter is using this pin. Whenever the SCI transmitter subsystem is enabled, the TxD pin is configured as an output, regardless of what the corresponding DDRD bit is. There is a subtle benefit to this override besides the obvious savings gained by not having to write to the DDR. Depending on the overall system attached to the TxD pin, it may be desirable for this pin to revert to a specific driven logic level or to a high-impedance condition. If the DDR bit is 0, the TxD pin will revert to a general-purpose, high-impedance input pin when not being used by the transmitter. If the DDR bit is 1, the TxD pin will revert to a general-purpose output pin, and the driven logic level will reflect what was last written to bit 1 of port D.

In other cases, the DDR bits continue to affect the configuration of a port pin even after an on-chip subsystem has been enabled to use the pin. Consider the SPI bidirectional data pins master in/slave out (MISO) and master out/slave in (MOSI). Although the MC68HC11A8 SPI system is capable of full-duplex operation, some synchronous serial protocols are configured for half-duplex operation with a single, bidirectional data line. For the MC68HC11A8 to operate in such a system, it must be able to selectively disable its MOSI and MISO outputs.

The state of a DDR bit influences the source of data when the corresponding port bit is read. In general, when a pin is configured as an input, reads return the logic level from the pin itself. When a pin is configured as an output, reads return a value corresponding to the level at the inside of the output buffer for that pin. This fact is especially important in the case of pins configured for wired-OR operation or for the three-state variation of full-output handshake at port C. In these cases, the value at the pin itself does not necessarily reflect the value last written to the port; therefore, it is important to read the level inside the output buffer rather than the level at the pin.

7.5 Detailed I/O Pin Descriptions

The logic associated with each of the I/O pins is described in detail in the following paragraphs. All circuitry directly connected to a pin is shown exactly as it is implemented in the MC68HC11A8. Logic not directly connected to a pin is functionally accurate, but the drawings have been simplified. **Figure 7-3** shows some of the symbols used in the logic drawings, which may not be familiar to all readers. The protection devices, which are intended to protect the MC68HC11A8 from high-voltage transients, have no effect while pins are within the V_{SS} to V_{DD} range. Although transmission gates are actually full CMOS bidirectional switches, they are shown in simplified form in the logic diagrams. Half flip-flops (HFFS) are latches that are transparent while the clock input is high and are latched while the clock input is low. Set and reset inputs are optional on HFFS. Any name enclosed in a rectangle indicates a control bit within the MC68HC11A8. Numbers in square brackets are references for the text descriptions.

7.5.1 Port A

The eight port A pins can be independently configured for general-purpose I/O or for timer or pulse accumulator functions. The following paragraphs describe the pin logic for port A pins. The idealized timing for critical port A signals is presented in **7.5.1.4 Port A Idealized Timing**.

7.5.1.1 PA2–PA0 (IC3–IC1) Pin Logic

Refer to **Figure 7-4** for the following discussion. The cross-coupled NAND circuit with four associated inverters is a hysteresis buffer. Hysteresis is provided by sizing inverter [1] so its switch point is higher than normal and by sizing inverter [2] so its switch point is lower than normal.

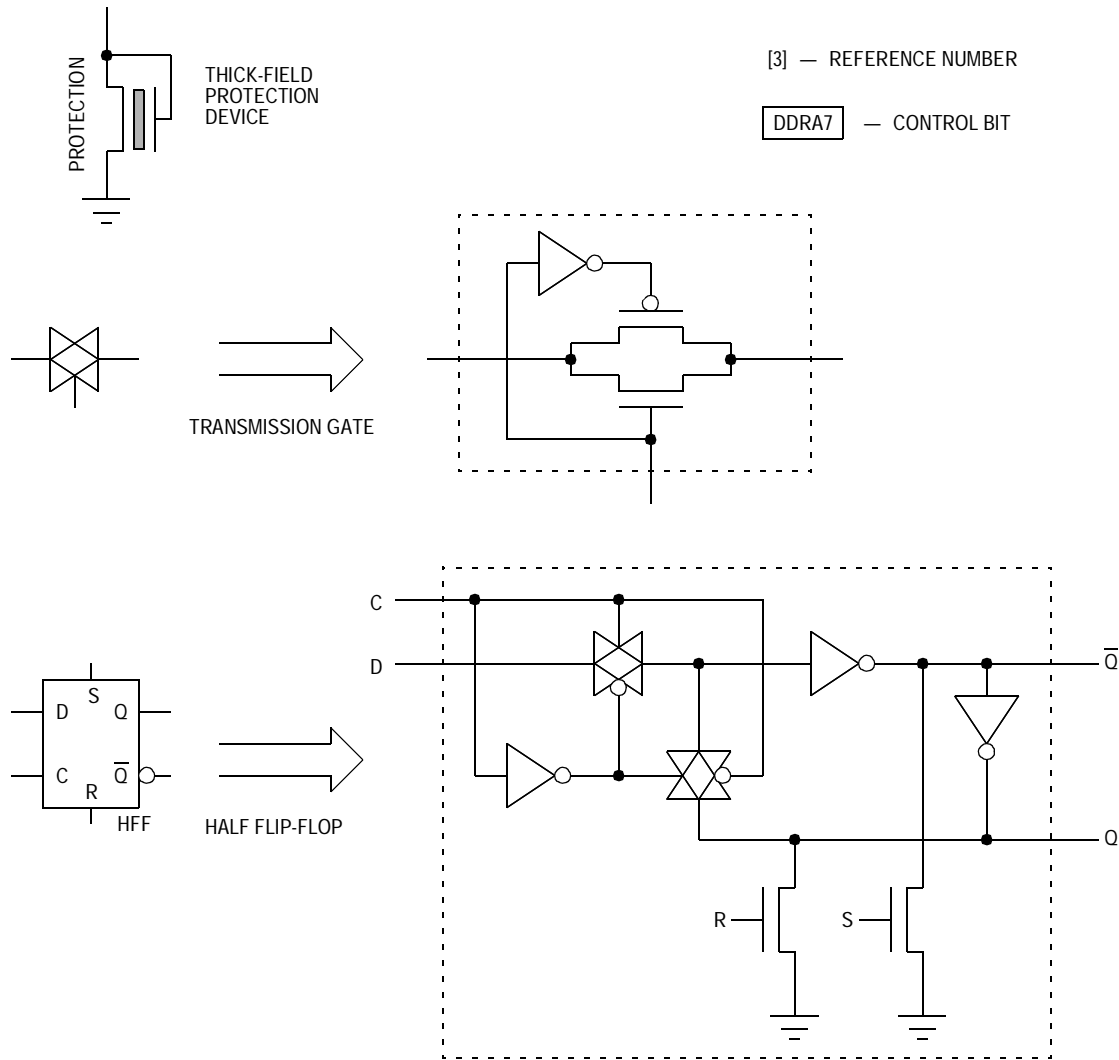


Figure 7-3. Special Symbols Used in Pin Logic Diagrams

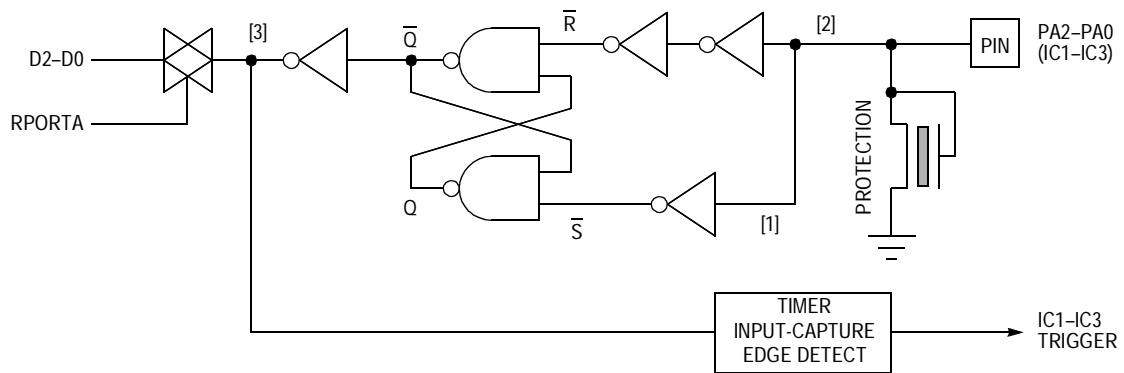


Figure 7-4. PA2-PA0 (IC3-IC1) Pin Logic

Starting with 0 on the pin, a slowly rising signal causes inverter [2] to switch so that the \overline{R} signal goes to an inactive-high state. As the input continues to rise, inverter [1] switches, causing a low \overline{S} , which causes the cross-coupled NAND latch to set Q high and clear \overline{Q} low. The low \overline{Q} reinforces the \overline{S} signal so that, even if noise causes inverter [1] to switch back to $\overline{S} = 1$, the cross-coupled latch will not reset.

Conversely, starting with 1 on the pin, a slowly falling signal causes inverter [1] to switch, causing the \overline{S} signal to be placed in an inactive-high state. As the input continues to fall, inverter [2] switches, causing a low \overline{R} . This low \overline{R} resets the cross-coupled NAND latch, setting \overline{Q} high and clearing Q low. The low Q reinforces the \overline{R} signal so that, even if noise causes inverter [2] to switch back to $\overline{R} = 1$, the cross-coupled latch will not become set.

For bits 0, 1, and 2, port A reads return the buffered states of the corresponding pins. Port A reads are completely independent of timer input-capture functions.

7.5.1.2 PA6–PA3 (OC5–OC2) Pin Logic

Refer to [Figure 7-5](#) for the following discussion. For bits 3, 4, 5, and 6, port A reads return the logic state from a point inside the output pin buffer. During a port A read, transmission gate [1] is enabled to couple the logic state at the input of inverter [2] to the internal data bus.

Inverter [2] is driven by a head-to-tail cheater latch. The feedback inverter [3] in this cheater latch is sized to be overridden by transmission gate [4], [5], or [6]. These three transmission gates correspond to the three possible sources of data for these port A pins as follows.

General-purpose port A outputs come through transmission gate [4] from HFF latch [7]. Output compares 5 through 2 (OC5–OC2) affect their corresponding port A pin via transmission gate [6]; output compare 1 (OC1) can affect these port A pins via transmission gate [5].

Control gate [8] enables general-purpose port A outputs during PTACLK when no timer function is enabled to control this pin. PTACLK is an internal clock signal that synchronizes port A pin changes to the falling edge of E. OC1 is enabled when the corresponding OC1Mx bit is 1, which disables control gate [8] and enables control gate [9]. The

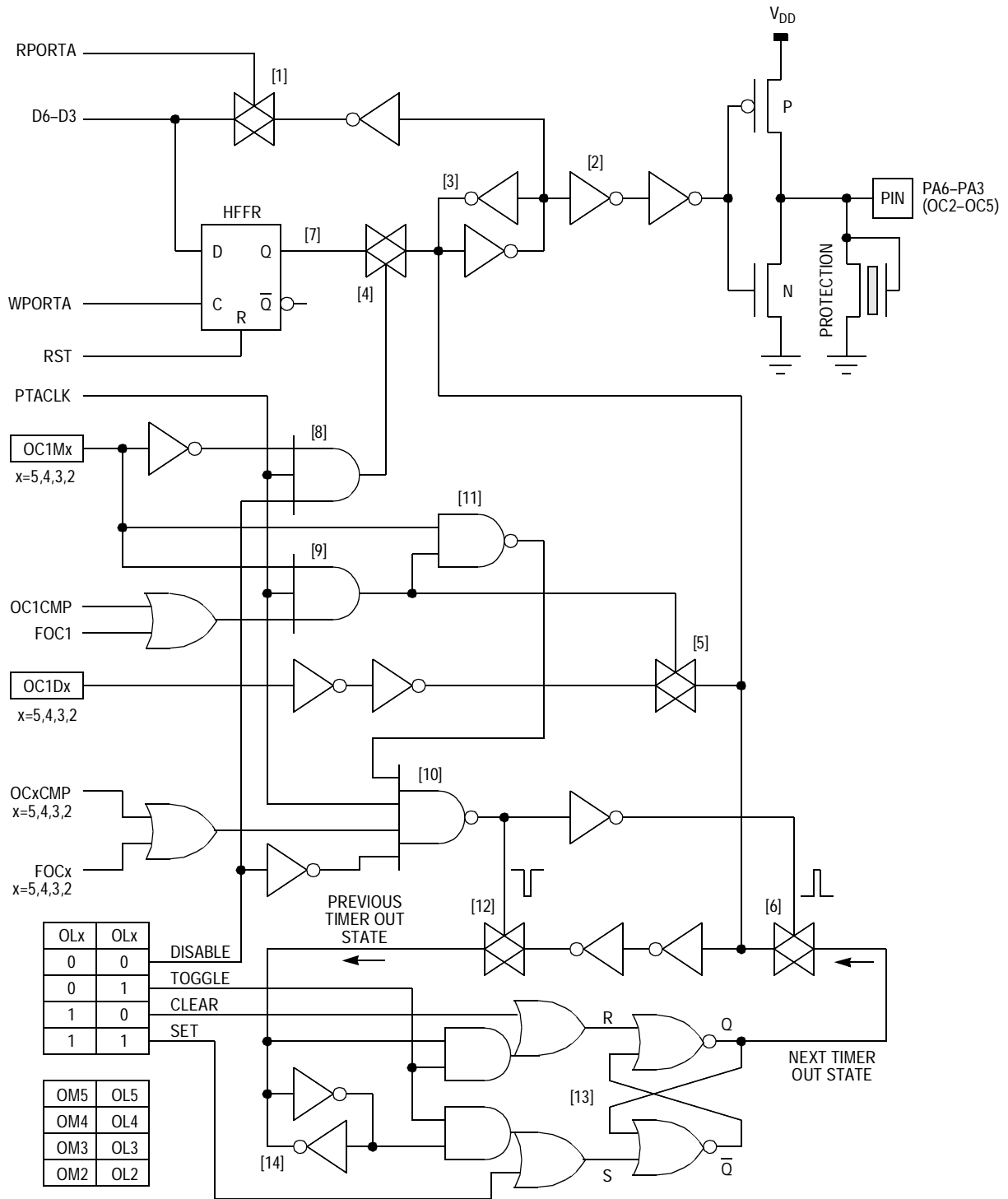


Figure 7-5. PA6-PA3 (OC5-OC2) Pin Logic

OC5–OC2 functions are enabled to control their corresponding port A pin by the OMx:OLx bits not equal to 0:0. When OMx:OLx are not 0:0, control gate [8] is disabled and control gate [10] is enabled.

Control gate [9] allows OC1 to affect this port A pin. When the corresponding OC1Mx control bit is 1, control gate [9] is enabled. The PTACLK clock signal acts as a strobe. When there is a successful OC1 compare (OC1CMP) or when OC1 is forced by FOC1 equals 1, control gate [9] enables transmission gate [5], which causes the corresponding OC1Dx state to be transferred to cheater latch [3]. NAND gate [11] provides a disable to control gate [10] so that if OC1 and another output compare simultaneously attempt to change the same port A pin, OC1 will override.

Control gate [10] is enabled by the corresponding OMx:OLx control bits not equal to 0:0. When there is a successful output compare x (OCxCMP) or when OCx is forced by FOCx equals 1, control gate [10] enables transmission gate [6] and momentarily disables transmission gate [12]. Transmission gate [12] transfers the previous port A pin state to cheater latch [14]. Cheater latch [14] holds the previous pin state stable for logic [13] while transmission gate [12] is disabled and transmission gate [6] is enabled. Set-reset (S/R) latch [13] and associated logic is used to determine the next timer output state that would result from a successful OCx compare. This next timer output state is determined by the states of the associated OMx and OLx control bits and the previous port A pin state.

7.5.1.3 PA7 (OC1 and PAI) Pin Logic

Refer to [Figure 7-6](#) for the following discussion. Hysteresis buffer [1] was previously described in [7.5.1.1 PA2–PA0 \(IC3–IC1\) Pin Logic](#). Reads of port A bit 7 always return the buffered state of the PA7 pin. For this bidirectional I/O pin, the state of the corresponding DDR control bit has no effect on the source of the data for the read. During a port A read, transmission gate [2] is enabled so the buffered state of the PA7 pin is driven onto the internal data bus.

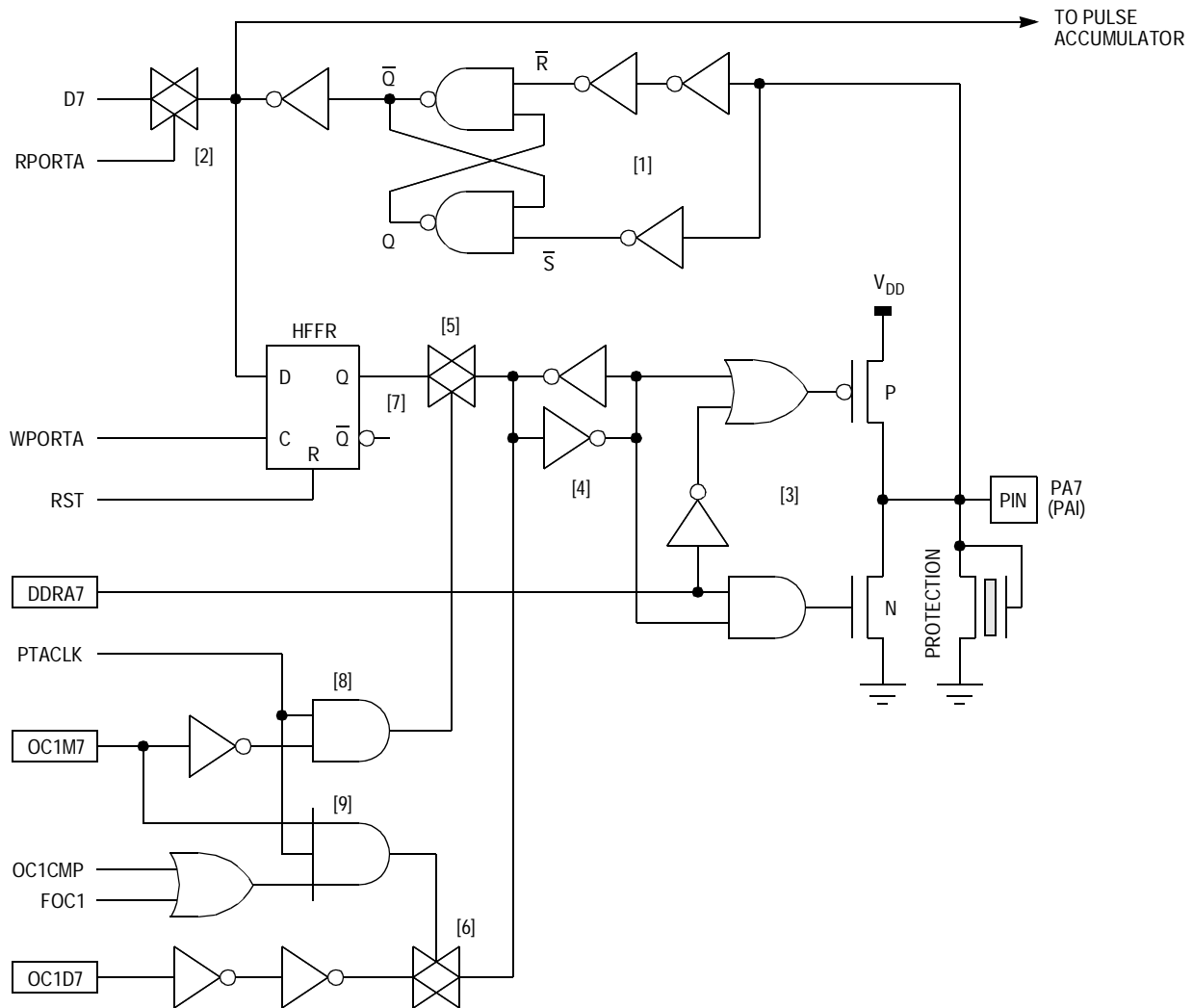


Figure 7-6. PA7 (OC1 and PAI) Pin Logic

Output buffer [3] is enabled when DDRA7 is 1. When DDRA7 is 0, the N- and P-channel drivers are disabled so the PA7 pin acts as a high-impedance input. Data for the PA7 pin is held in cheater latch [4]. Transmission gates [5] and [6] correspond to the two possible sources of output data for the PA7 pin.

When the OC1M7 control bit is 0, control gate [9] is disabled and control gate [8] is enabled. Control gate [8] enables transmission gate [5] so general-purpose output data from HFF [7] is transferred to cheater latch [4]. A write to port A causes data to be written into HFF [7], which is cleared to 0 during reset.

When the OC1M7 control bit is 1, control gate [8] is disabled and control gate [9] is enabled. While control gate [9] is enabled, a successful OC1 compare (OC1CMP) or a force OC1 (FOC1) will enable transmission gate [6]. Transmission gate [6] causes the OC1D7 state to be transferred to cheater latch [4].

7.5.1.4 Port A Idealized Timing

Figure 7-7 shows the idealized timing for important port A control signals. This timing diagram, which does not consider any propagation delays, cannot be used as a substitute for data-sheet timing specifications. This information is useful for understanding the basis for data-sheet timing specifications so timing information can be extrapolated for bus frequencies other than that used for the data sheet.

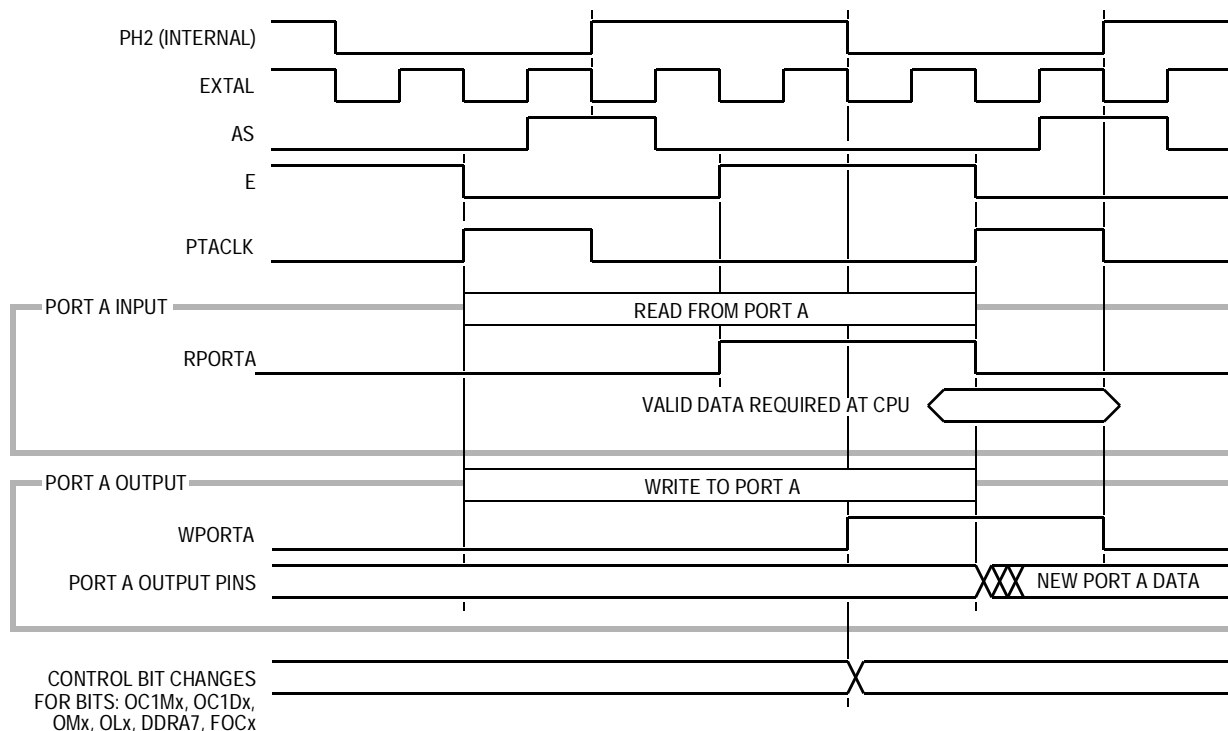


Figure 7-7. Idealized Port A Timing

On a port A read, the RPORTA signal enables transmission gates driving port A data onto the internal data bus. After the RPORTA signal is deasserted, data is held stable on the self-latching internal data bus. The central processor unit (CPU) actually requires this data to be valid for a setup and hold time around the rising edge of the internal PH2 clock signal.

All operations that can cause changes to the port A output pins (except DDRA7 control bit changes) are synchronized to the falling edge of the E clock. Changes to DDRA7 cause port A pins to change state at the falling edge of the internal PH2 clock.

7.5.2 Port B

The eight port B pins are fixed-direction output pins. When the MC68HC11A8 is operating in an expanded mode, port B is used for high-order address outputs. In single-chip modes, port B is used for general-purpose output or for simple strobe output. The following paragraphs describe the port B pin logic and the idealized timing for selected port B signals.

When the MC68HC11A8 is operating in an expanded mode, reads and writes to the port B address are treated as external accesses to allow port B functions to be emulated with external logic. The MC68HC24 port replacement unit (PRU) duplicates the general-purpose and handshake I/O functions of ports B and C and the STRA and STRB pins. The MC68HC24 connects to the multiplexed address/data bus of the MC68HC11A8.

7.5.2.1 Port B Pin Logic

Refer to [Figure 7-8](#) for the following discussion. Reads of port B return the logic state from a point inside the output pin buffer. During reads of port B, transmission gate [1] is enabled by the RPORTB signal to couple logic state [2] to the internal data bus. The RPORTB signal is not asserted for port B reads in expanded modes since port B is an external address in that case.

data-sheet timing specifications so timing information can be extrapolated for bus frequencies other than that used for the data sheet.

On a port B read, the RPORTB signal enables transmission gates, which drive port B data onto the internal data bus. There is no case where port B data can change in the same cycle in which a port B read is occurring. Port B writes cause changes to the port B output pins at the falling edge of the internal PH2 clock. This edge corresponds to the middle of the E-clock high time.

Although this section is not specifically concerned with expanded-mode operation of port B, it is included here for reference. A more detailed discussion of the expansion bus is included in [2.7 Typical Expanded Mode System Connections](#). Port B logic provides a full one-eighth-cycle hold time on the high-order addresses relative to the falling edge of E.

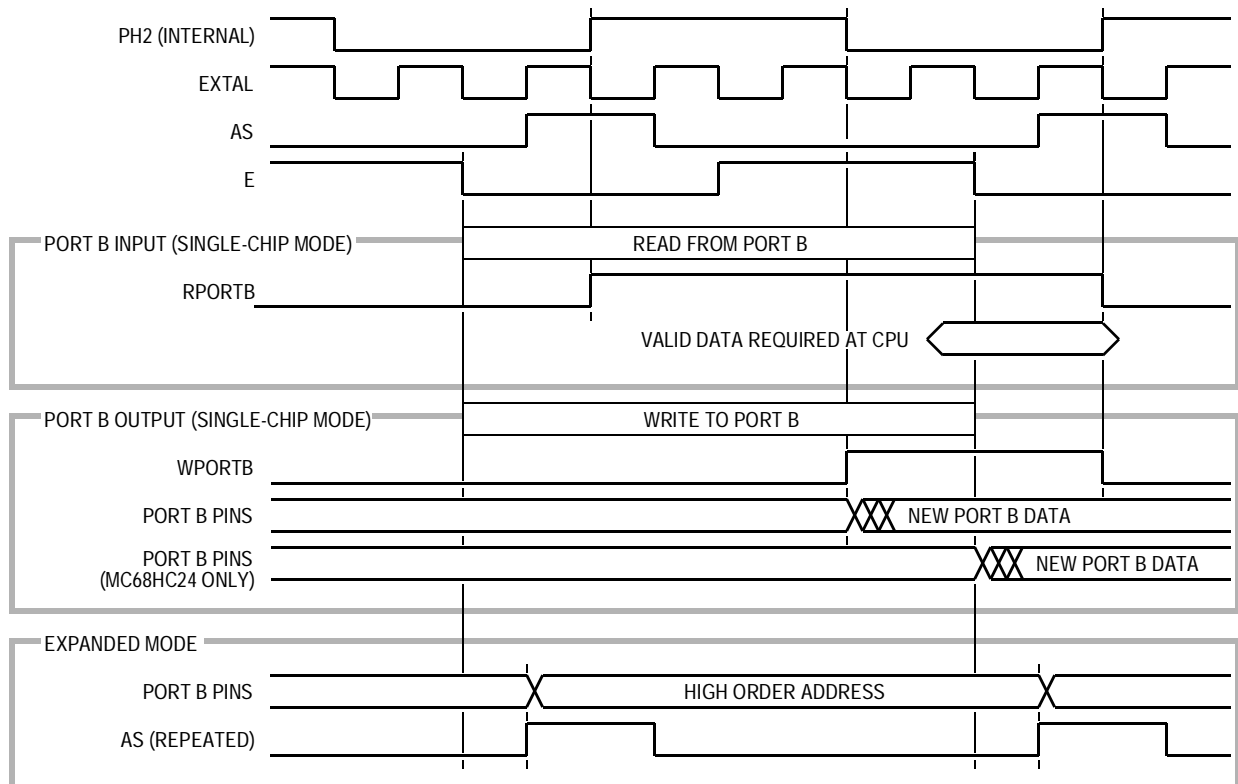


Figure 7-9. Idealized Port B Timing

7.5.2.3 Special Considerations for Port B on MC68HC24 PRU

The external port replacement unit (PRU) does not have access to the internal PH2 clock of the MC68HC11A8; therefore, slight differences exist in the timing of port B, port C, STRA, and STRB activities. See [Figure 7-9](#) for differences in timing for writes to port B of the MC68HC11A8 in single-chip mode as compared to writes to port B of the MC68HC24.

7.5.3 $\overline{R/\overline{W}}$ (STRB) Pin

When the MC68HC11A8 is operating in an expanded mode, this pin acts as the read/write ($\overline{R/\overline{W}}$) bus control signal. When the MC68HC11A8 is operating in a single-chip mode, this pin acts as the STRB output signal for the handshake I/O subsystem. The MC68HC24 can be used to regain the STRB functions when the MCU is operating in an expanded mode.

7.5.3.1 $\overline{R/\overline{W}}$ (STRB) Pin Logic

Refer to [Figure 7-10](#) for the following discussion. When the MC68HC11A8 is operating in an expanded mode, the MDA control bit is 1. A 1 on MDA disables transmission gate [2] and enables transmission gate [1], which, in turn, couples the output of HFF [3] to the pin output buffer. HFF [3] is transparent when AS is high and latched when AS is low, which gives $\overline{R/\overline{W}}$ the same timing as a high-order address line at port B and assures a long hold time on $\overline{R/\overline{W}}$ relative to the falling edge of E. $\overline{R/\overline{W}}$ and the expansion bus are described more fully in [2.7 Typical Expanded Mode System Connections](#).

When the MC68HC11A8 is operating in a single-chip mode, MDA is low, disabling transmission gate [1] and enabling transmission gate [2]. Transmission gates [4] and [5] further select whether the Q or \overline{Q} of cross-coupled latch [6] will be coupled to the STRB pin. When the invert strobe B (INVB) control bit in the PIOC register is 0, the \overline{Q} of cross-coupled latch [6] is coupled to the STRB pin, and STRB signals are active low. When the INVB control bit is 1, the Q of cross-coupled latch [6] is coupled to the STRB pin and STRB signals are active high.

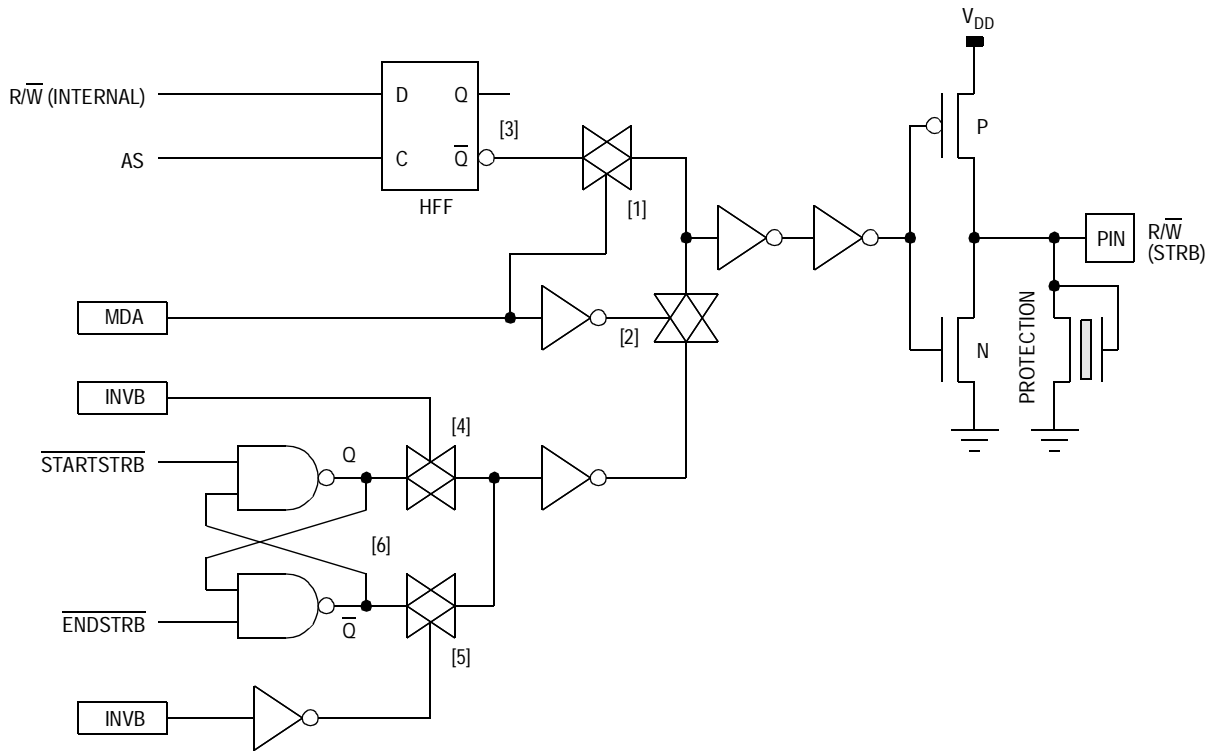


Figure 7-10. R/W (STRB) Pin Logic

The start strobe B ($\overline{\text{STARTSTRB}}$) is an active-low signal from the handshake I/O subsystem. The conditions that enable strobe B depend on the strobe or handshake mode in effect. The strobe and handshake modes are controlled by the state of the HNDS and output/input (OIN) control bits in the PIOC register. When HNDS is 0, the simple strobe mode is selected, and the state of the OIN control bit is ignored. In simple strobe mode, $\overline{\text{STARTSTRB}}$ is asserted at the rising edge of the internal PH2 clock following a write to the PORTB register. This time corresponds to the center of the E low time following the write to port B. When HNDS is 1 and OIN is 0, full-input handshake is selected. In full-input handshake mode, $\overline{\text{STARTSTRB}}$ is asserted at the rising edge of the internal PH2 clock following a read of the PORTCL register. This time corresponds to the center of the E low time following the read of port C latched data. When HNDS and OIN are 1, full-output handshake is selected. In full-output handshake mode, $\overline{\text{STARTSTRB}}$ is asserted at the rising edge of the internal PH2 clock following a write to the PORTCL register. This time corresponds to the center of the E low time following the write to port C at PORTCL address.

The end strobe B ($\overline{\text{ENDSTRB}}$) is an active-low signal from the handshake I/O subsystem. Three possible conditions can cause the $\overline{\text{ENDSTRB}}$ to be asserted. If the HNDS bit is 0 or if the pulse (PLS) control bit is 1, $\overline{\text{ENDSTRB}}$ is asserted exactly two full E-clock periods after $\overline{\text{STARTSTRB}}$ was asserted. This configuration corresponds to the simple strobe mode or a full-handshake mode where strobe B is configured for pulsed-mode operation. The second condition causing $\overline{\text{ENDSTRB}}$ to be asserted corresponds to the full-handshake modes where strobe B has been configured for interlocked operation by PLS equal 0. In this case, the $\overline{\text{ENDSTRB}}$ signal is asserted at the next PH2 rising edge after the selected active edge is detected at the STRA input pin. The internal PH2 rising edge corresponds to the center of the E low time. The third condition that can cause $\overline{\text{ENDSTRB}}$ to be asserted is included to avoid a problem if strobe B is changed from interlocked operation to pulsed operation while strobe B is active. If PLS is written to 1 while HNDS is a 1, the $\overline{\text{ENDSTRB}}$ signal is asserted so the strobe B signal will be terminated at the next PH2 rising edge, which corresponds to the center of the E low time following the cycle where PIOC was written with HNDS and PLS equal to 1.

7.5.3.2 Special Considerations for STRB on MC68HC24 PRU

Because the external PRU does not have access to the internal PH2 clock of the MC68HC11A8, slight differences exist in the timing of port B, port C, STRA, and STRB activities. In the MC68HC24, edges on strobe B occur one-quarter E cycle later than they would in the MC68HC11A8 in single-chip mode. In the case of full-handshake interlocked mode, strobe B will be terminated on the next rising edge of E after a strobe A edge is detected. The MC68HC24 has a synchronizer on the strobe A input, which is clocked by AS; thus, the worst-case delay from an edge on strobe A to a response on strobe B is one and one-eighth E cycles rather than one E cycle (MC68HC11A8).

Because the implementation of the strobe B logic in the MC68HC24 is slightly different than that in the MC68HC11A8, the third condition that could terminate a strobe B signal was not included in the MC68HC24. Since changing from interlocked operation to pulsed operation in the middle of a transaction is not normal, this subtle difference should not concern most users.

7.5.4 Port C

Port C is the most complex port on the MC68HC11A8 because it can act as general-purpose bidirectional I/O, full-input or full-output handshake I/O, or as a time-multiplexed address/data bus port. Due to the complexity of the port C pin logic, expanded and single-chip modes of operation will be discussed separately. The following paragraphs explain the logic associated with port C pins and the idealized timing of selected signals.

Although this section is not specifically concerned with expanded mode operation of port C, it is included for reference. A more detailed discussion of the expansion bus is included in [2.7 Typical Expanded Mode System Connections](#).

7.5.4.1 Port C Pin Logic for Expanded Modes

In expanded modes, port C is a time-multiplexed address/data bus. During the first half of a cycle, addresses are driven out of port C. During the second half of the cycle, data is either written out of port C or read into port C. Refer to [Figure 7-11](#) for the following discussion.

Pin output buffer [1] can be enabled or disabled by the PTCTSC signal. This signal is driven to 0 when address or data information needs to be driven out of port C. When PTCTSC is 1, the output buffer is disabled so port C pins become high-impedance input pins (for example, while data is being read into port C).

Information to be driven out of port C can come from either transmission gate [2] or [3]. When the address enable (ADDREN) signal is 1, transmission gate [2] is enabled to couple address lines ADDR[7:0] to the output buffer of their associated port C pin. When the write data enable (WDATEN) signal is 1, transmission gate [3] is enabled to couple data lines DATA[7:0] to the output buffer of their associated port C pin.

In the read direction, data comes from the port C pins to strobe input buffers [6]. Data from buffers [6] is then clocked into HFF [5] during the E high time. Data is coupled to the CPU through transmission gate [4] when the read data enable (RDATEN) signal is 1. Since the CPU

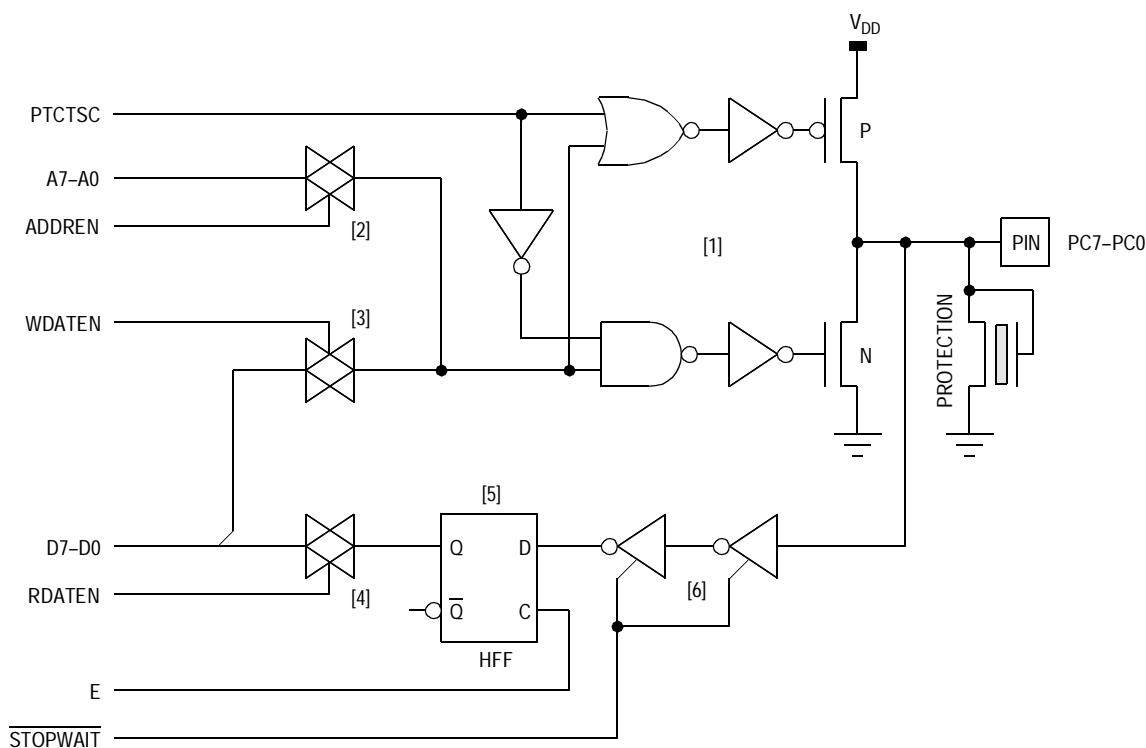


Figure 7-11. Port C Expanded Mode Pin Logic

actually uses the read data during the one-quarter cycle after E goes low, HFF [5] also provides a level of synchronization for the incoming data.

In normal operation, the stop/wait (STOPWAIT) signal is logic 1, which enables buffers [6]. When the MCU is in the stop/wait low-power modes, STOPWAIT is 0, and buffers [6] are disabled. While buffers [6] are disabled, intermediate or switching levels on the port C pins will not cause the relatively high currents normally expected for CMOS inputs.

7.5.4.2 Summary of Port C Idealized Expanded Mode Timing

Port C expanded mode timing includes four types of bus cycles. Write cycles look identical at port C regardless of the address written to. The second type cycle is a read from an external address. The last two cycle types are reads of internal addresses — that is, reads of a memory location or register inside the MC68HC11A8. For debugging, the data read from the internal location is driven out of port C to be monitored with

a logic analyzer. For normal use of the MCU, the data from the internal reads is not driven out of port C because it could conflict with some external device. There is an internal read visibility (IRV) control bit in the MC68HC11A8 determining whether internal read data will be driven out of port C. The IRV bit and the expansion bus are described in greater detail in [2.7 Typical Expanded Mode System Connections](#).

Logic in the MC68HC11A8 generates the signals PTCTSC, ADDREN, WDATEN, and RDATEN to control the activity of port C, depending on the type bus cycle to be performed. The operation of these signals is explained in [7.5.4.1 Port C Pin Logic for Expanded Modes](#).

[Figure 7-12](#) summarizes the idealized timing of these signals for the four types of bus cycles.

7.5.4.3 Port C Single-Chip Mode Pin Logic

Refer to [Figure 7-13](#) for the following discussion. During a write to DDRC, data is clocked into HFF [1] by the write DDRC (WDDRC) signal. During a read of DDRC, transmission gate [2] is enabled by the read DDRC (RDDRC) signal, which couples the output of the DDRC HFF onto the internal data bus. During reset, HFF [1] is forced to 0, which configures port C pins as high-impedance inputs. The state of DDRC at the output of HFF [1] controls port C output buffer [3] via NOR gate [4]. The state of DDRC also influences the source of data for reads of the PORTC register via NAND gate [6].

The CWOM control bit allows the user to disable the P-channel driver of output buffer [3]. CWOM simultaneously affects all eight bits of port C. Since the N-channel driver is not affected by CWOM, CWOM = 1 causes port C to become an open-drain-type output port. When a port C bit is logic 0, it is actively driven low by the N-channel driver. When a port C bit is logic 1, it becomes high impedance since neither the N- nor P-channel devices are active. It is customary to have an external pullup resistor on lines that are driven by open-drain devices. Port C can be configured for wired-OR operation only when the MCU is in a single-chip mode of operation.

Parallel Input/Output

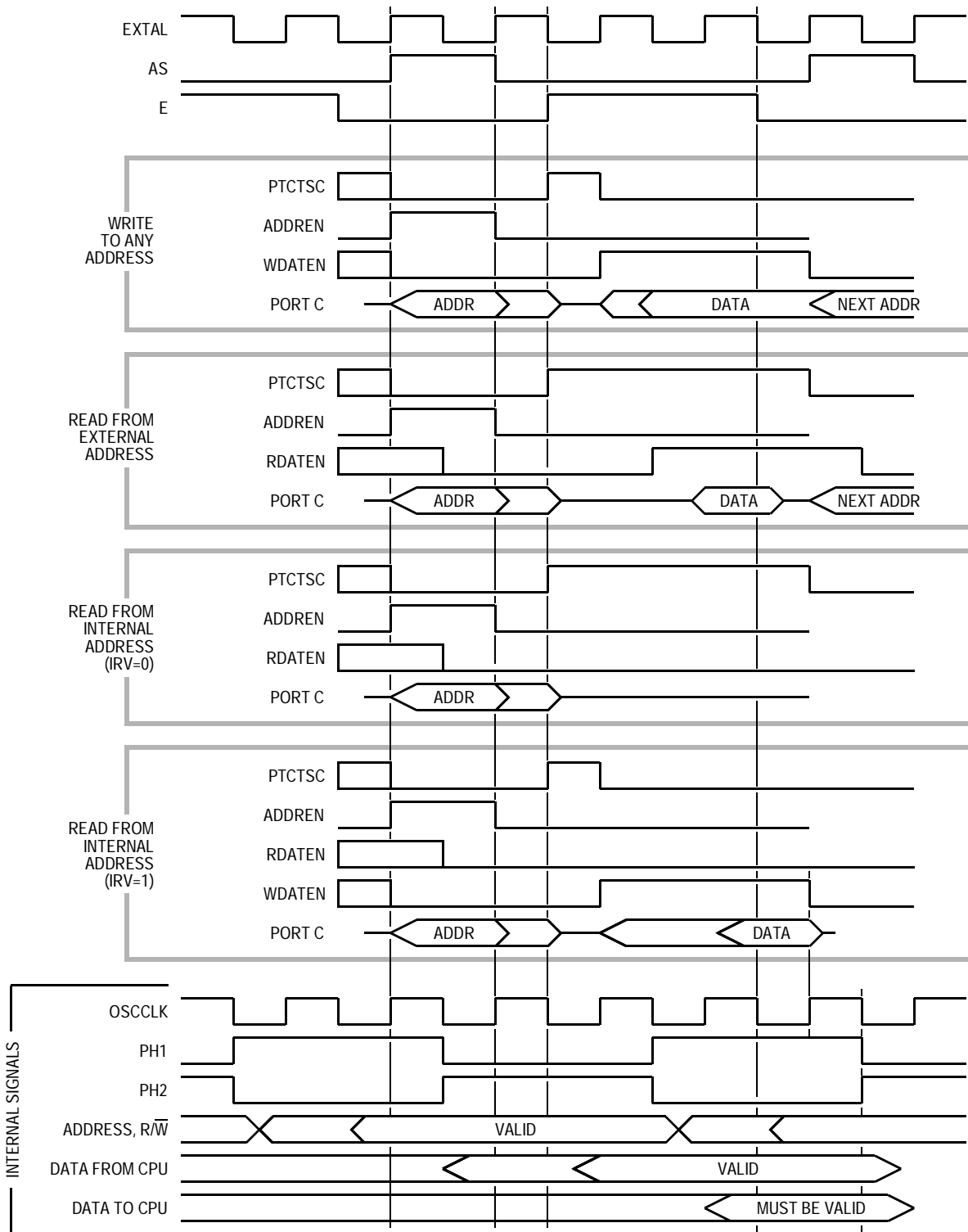


Figure 7-12. Summary of Idealized Port C Expanded Mode Timing

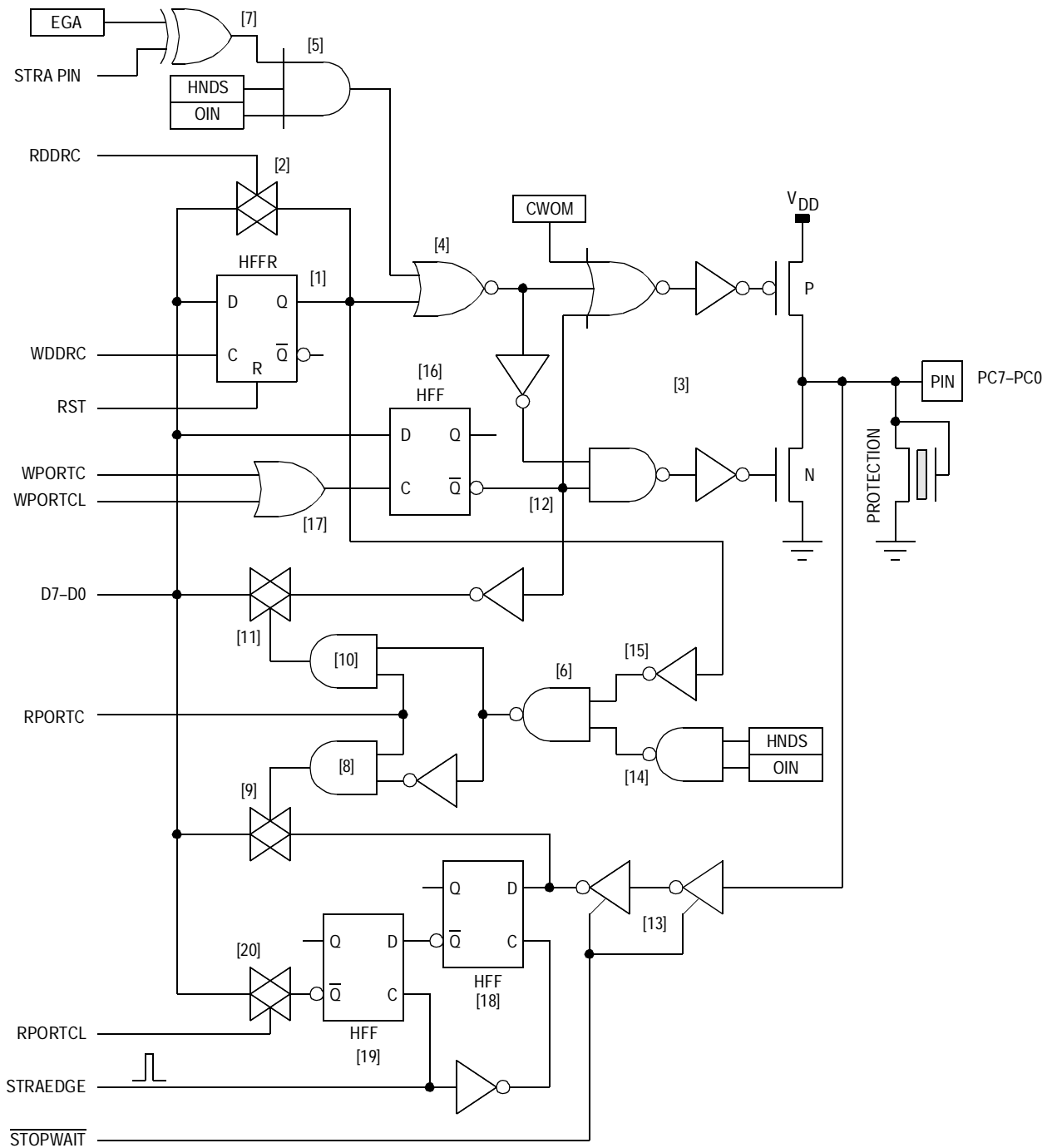


Figure 7-13. Port C Single-Chip Mode Pin Logic

AND gate [5] provides an override to DDRC during the three-state variation of full-output handshake. In this handshake mode, the HNDS and OIN control bits are 1s, enabling AND gate [5]. While AND gate [5] is enabled, a 1 from exclusive-OR gate [7] will force output buffer [3] to be enabled, regardless of the state of the DDRC bit from HFF [1]. The EGA control bit specifies the level required at the STRA pin to force port C pins to be outputs.

While the output-handshake mode is specified, any of the port C bits having their corresponding DDRC bits set to 0 are configured for the three-state variation of full-output handshake. For those bits, the corresponding port C pins will appear as high-impedance inputs while the STRA pin is at its selected inactive level. When the STRA pin goes to its active level, AND gate [5] will force all port C pins to the output mode. Any port C bits having their corresponding DDRC bits set to 1 will be driven outputs, regardless of the logic at AND gate [5].

While the MCU is operating in output-handshake mode, NAND gate [14] outputs 0 and NAND gate [6] outputs 1. When PORTC is read in this case, AND gate [10] enables transmission gate [11] to couple the logic state from point [12] inside the output buffer onto the internal data bus. When a port C pin is configured for output by its corresponding DDRC bit equals 1 at HFF [1], inverter [15] outputs 0 and NAND gate [6] outputs 1. Again, when PORTC is read, AND gate [10] enables transmission gate [11] to couple the logic state from point [12] inside the output buffer onto the internal data bus. When neither of the previous conditions are true, the port C pin is configured for input and NAND gate [6] outputs a 0. In this case, when PORTC is read, AND gate [8] enables transmission gate [9] to couple the buffered state of the corresponding port C pin from the strobed buffers [13] onto the internal data bus.

On writes to port C, data is clocked into the HFF [16] by the output of OR gate [17]. A write to either the PORTC register or the PORTCL register will enable HFF [16] via OR gate [17]. The output of HFF [16] drives the port C pins through buffer [3] subject to the controls on the buffer described in the previous paragraphs.

The port C latch register (PORTCL) is composed of HFFs [18] and [19]. Normally, the strobe A edge signal (STRAEDGE) is low so HFF [19] is latched and HFF [18] is transparent. When a selected edge is

asynchronously detected at the strobe A pin, a short active-high pulse is issued on STRAEDGE. While STRAEDGE is high, HFF [18] is temporarily latched so stable data is transferred into HFF [19]. When the PORTCL register is read, the RPORTCL signal enables transmission gate [20] to couple the output of HFF [19] onto the internal data bus.

The $\overline{\text{STOPWAIT}}$ signal is normally high, enabling strobe buffers [13]. When the MCU is in the stop or wait power-saving modes, $\overline{\text{STOPWAIT}}$ is low, and strobe buffers [13] are disabled. This function was included to reduce power consumption mainly in the expanded modes where port C is a multiplexed address/data bus, but there is a side effect that can influence strobe and handshake input at port C in a very special case.

The wait mode definition states that any enabled interrupt source can be used to force the MCU to return to normal operation. An active edge at the STRA pin is a possible source of the interrupt that will wake the MCU from the wait standby mode. Although the edge at STRA will wake the MCU from the wait mode, valid data will not be latched into PORTCL because strobe input buffers [13] were disabled at the time of the asynchronous edge at STRA.

7.5.4.4 Port C Idealized Single-Chip Mode Timing

Figure 7-14 shows the idealized timing for important port C control signals. Because this timing diagram does not reflect any propagation delays, it cannot be used as a substitute for data-sheet timing specifications. This information is useful for understanding the basis for data-sheet timing specifications so timing information can be extrapolated for bus frequencies other than that used for the data sheet.

During a read of port C, the RPORTC signal enables transmission gates that drive port C data onto the internal data bus. After the RPORTC signal is deasserted, data is held stable on the self-latching internal data bus. The CPU actually requires data to be stable for a setup time before and a hold time after the rising edge of the internal PH2 clock. The RPORTC signal is deasserted one-quarter cycle before this time so data will be stable while the CPU is actually reading it.

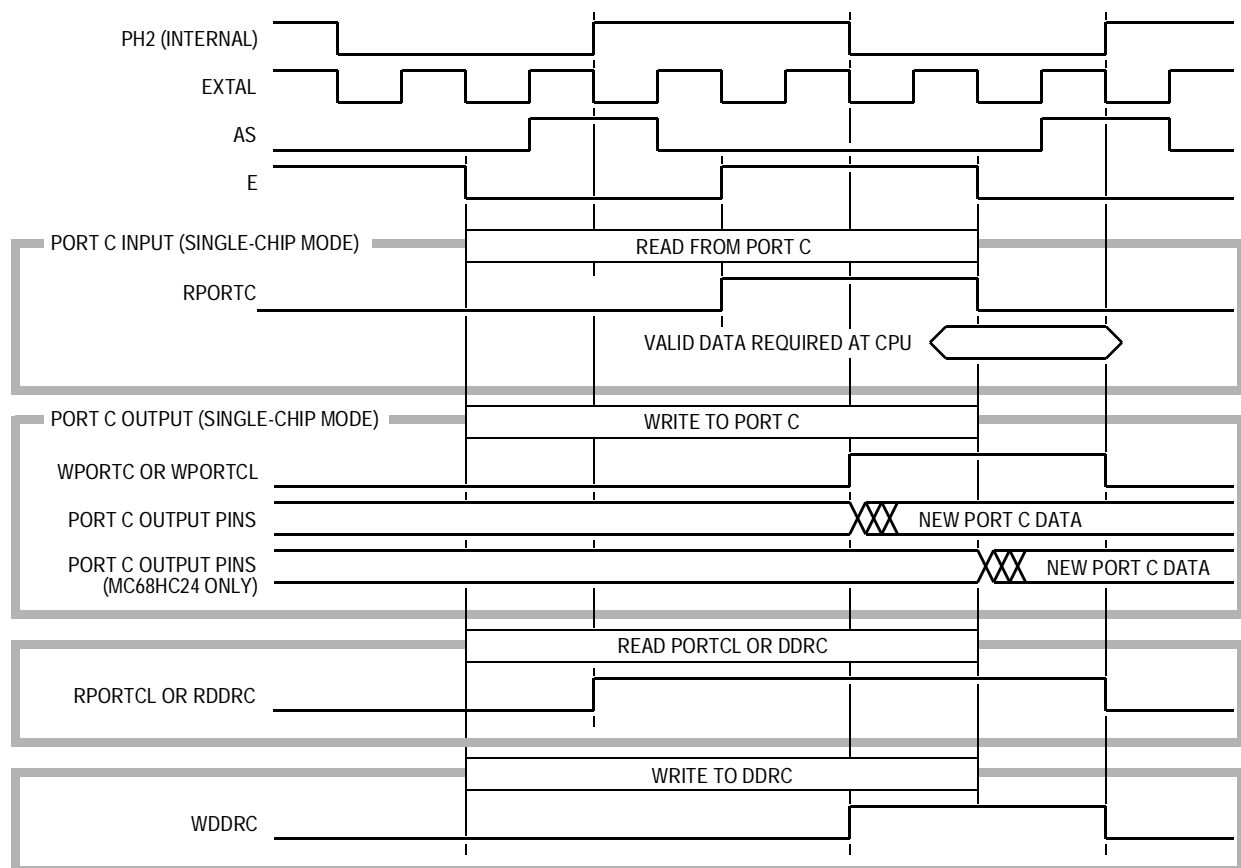


Figure 7-14. Idealized Port C Single-Chip Mode Timing

During a DDRC read, the RDDRC signal enables a transmission gate to couple the state of the DDRC bit to the internal data bus. In contrast to the RPORTC signal, RDDRC is active while the CPU is actually reading the data from the internal data bus, which does not pose potential problems because it is not possible for the DDRC value to change in the same cycle it is being read.

The timing for the RPORTCL signal is the same as that for the RDDRC signal. Unlike DDRC data, data in the PORTCL register can change at any time since the strobe A latching edge is asynchronous. Since it is undesirable for data to be changing at the instant the CPU is latching in this data, the user should avoid this synchronization hazard. Usually, the system design automatically solves the problem because an edge on STRA cannot normally occur during a read of PORTCL. For example, in a full-input handshake, PORTCL is only read in response to recognizing

that the STAF has been set. In such a case, the edge that caused STAF to be set and data to be latched into PORTCL will have occurred several cycles before the PORTCL read could possibly occur. Also, in the full-handshake protocol, the external device is inhibited from latching new data into PORTCL until the previous data is read from PORTCL. This inhibit is accomplished by the STRB handshake output.

Writes to port C at PORTC or PORTCL and writes to DDRC are controlled by WPORTC, WPORTCL, and WDDRC, respectively. All three signals are synchronized to the falling edge of the internal PH2 clock, which corresponds to the center of the E high time.

7.5.4.5 Special Considerations for Port C on MC68HC24 PRU

Since the external PRU does not have access to the internal PH2 clock of the MC68HC11A8, there are slight differences in the timing of port B, port C, STRA, and STRB activities. [Figure 7-14](#) shows the differences between internal MC68HC11A8 writes to port C and MC68HC24 writes to port C.

7.5.5 AS (STRA) Pin

In expanded modes, this pin acts as the AS control signal, which is used to demultiplex low-order addresses from data at port C. In single-chip modes, this pin acts as the STRA input, which serves the handshake I/O subsystem on the MC68HC11A8. The MC68HC24 can be used to regain the STRA functions when the MCU is operating in an expanded mode.

7.5.5.1 AS (STRA) Pin Logic

Refer to [Figure 7-15](#) for the following discussion. When the MC68HC11A8 is operating in a single-chip mode, the MDA control bit is 0; thus, both the P- and N-channel output drivers are disabled. While the MCU is operating in an expanded mode, the MDA control bit enables the output driver logic. As long as the MCU is not in stop mode, the AS signal is buffered and driven out the AS pin.

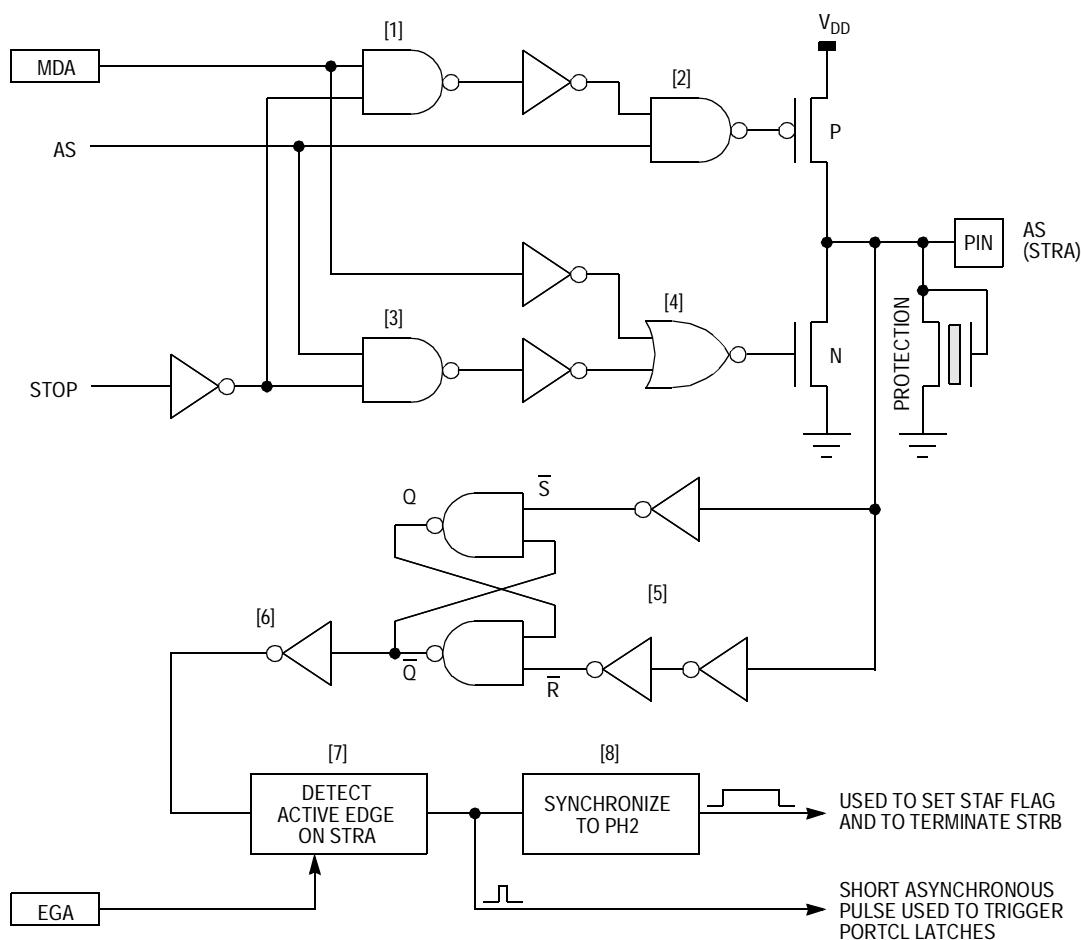


Figure 7-15. AS (STRA) Pin Logic

When the MC68HC11A8 is in stop mode, the STOP signal goes high, which forces the AS pin to logic 0. A 1 on STOP forces a 0 on one input of NAND gate [1], which forces a 0 on one input of NAND gate [2], which disables the P-channel driver. The 1 on STOP also forces a 1 at the output of NAND gate [3], which places a 0 on the lower input of NOR gate [4]. Since the 1 on MDA forces the other input of NOR gate [4] to 0, the output of this NOR gate will be 1, which enables the N-channel driver and forces the pin to 0.

Hysteresis buffer [5] is described in [7.5.1.1 PA2–PA0 \(IC3–IC1\) Pin Logic](#). EGA controls the block of logic [7], which detects asynchronous edges on the signal from inverter [6], the buffered signal from the strobe A pin. The output from the block of logic [7] is a short high-going asynchronous pulse, which is used to asynchronously latch data from the port C pins into the PORTCL register.

In response to the asynchronous pulse from block [7], the block of logic [8] produces a pulse that is synchronized to the internal PH2 clock. Provided the asynchronous pulse meets a setup time before the rising edge of PH2, the output of block [8] will go high at that PH2 rising edge and stay high until PH2 goes low. If the setup time is not met, the pulse will appear at the next PH2, causing a delay from when an edge is presented at the STRA pin until it is recognized by the logic of block [8]. The delay could be from a few nanoseconds to a full E-clock cycle, depending on where the edge occurs relative to the clocks. The rising edge of the internal PH2 clock corresponds to the center of the E-clock low time. A significant number of internal logic-gate delays exists between the STRA pin and the block of logic [8].

The synchronized pulse from block [8] is used for several functions in the handshake I/O subsystem. STAF is set by this pulse. The arming mechanism for automatically clearing STAF is cleared by this pulse. This pulse can terminate the STRB output in some handshake modes. These functions and their timing are discussed in greater detail in [7.6 Handshake I/O Subsystem](#).

7.5.5.2 Special Considerations for STRA on MC68HC24 PRU

Because the external PRU does not have access to the internal PH2 clock of the MC68HC11A8, slight differences exist in the timing of port B, port C, STRA, and STRB activities. The differences for strobe A are associated with the block of logic [8] in [Figure 7-15](#). Although [Figure 7-15](#) depicts the MC68HC11A8, there is a similar block of logic in the MC68HC24. In the MC68HC24, AS and E are used to synchronize the strobe A pulse to the E clock. Any strobe A edge meeting a setup time to the falling edge of AS results in a synchronized pulse that is high for the next E-clock high time. This pulse is used for the same purposes as the PH2 synchronized pulse in the MC68HC11A8.

7.5.6 Port D

Port D is a 6-bit bidirectional data port. Two port D pins alternately serve as the receive and transmit data pins for the on-chip asynchronous SCI system. The other four port D pins alternately serve the on-chip synchronous SPI system. Although the pin logic for all six port D pins is

The state of DDRD controls the pin output buffer via AND gate [3], and DDRD affects the source of data for port D reads via transmission gates [4] and [5]. When the DDRD bit from HFF [1] is 0, AND gate [3] outputs a 0, which disables output driver [9]. When the DDRD bit from HFF [1] is 0, transmission gate [5] is enabled. In this case, reads of port D enable transmission gate [6], coupling the buffered pin state from inverters [7] to the internal data bus. When the DDRD bit from HFF [1] is 1, transmission gate [4] is enabled. In this case, reads of port D enable transmission gate [6], coupling the level from the output of HFF [8] to the internal data bus, which corresponds to the output level for the pin before output driver [9]. Since output driver [9] can be configured for wired-OR operation, some external source can force the pin low, even if the logic for this pin is trying to output a 1. In this case, a read of port D will return the intended logic 1 from inside the output buffer rather than the 0 from the pin.

During a write to port D, the WPORTD signal is asserted, causing data from the internal data bus to be latched into HFF [8]. Written data is then buffered to the pin by output driver [9] subject to data direction control from AND gate [3] and wired-OR control from the DWOM control bit. When the DWOM control bit is 1, the P-channel driver is disabled so port D outputs act as open-drain drivers. The DWOM control bit simultaneously affects all port D pins.

When the output of AND gate [3] is 0, the output driver is completely disabled; thus, this pin is configured as a high-impedance input. AND gate [3] will output a 0 to disable the output driver whenever the corresponding DDRD bit is 0 from HFF [1]. AND gate [3] will also disable the output driver when the SCI receiver is enabled by the receiver-on signal (RCVON). The state of the DDRD bit still influences the source of read data when the RCVON signal is forcing the pin to a high-impedance state.

This pin alternately serves as the receive data (RxD) input pin for the asynchronous SCI system. The SCI receiver is enabled by the receive enable (RE) control bit in an SCI control register, which forces the RCVON signal to 1, disabling pin output driver [9], regardless of the state of the DDRD bit from HFF [1]. The state of the DDRD bit allows the programmer to read the RxD pin (DDRD = 0) or the value in port D latch [8] (when DDRD = 1). Data from the pin is buffered by inverters [7] and

Parallel Input/Output

driven to the SCI receive logic. The data path from the pin to the SCI receive logic is not affected by the state of DDRD.

7.5.6.2 PD1 (TxD) Pin Logic

Refer to [Figure 7-17](#) for the following discussion. The data direction specification for this pin is held in HFF [1]. During a write to the DDRD register, the WDDRD signal is asserted, causing data to be transferred into HFF [1] from the internal data bus. A read of DDRD causes the RDDR signal to be asserted, which enables transmission gate [2] to couple the output of HFF [1] onto the internal data bus. During reset, HFF [1] is cleared to 0, which configures this pin as a high-impedance input.

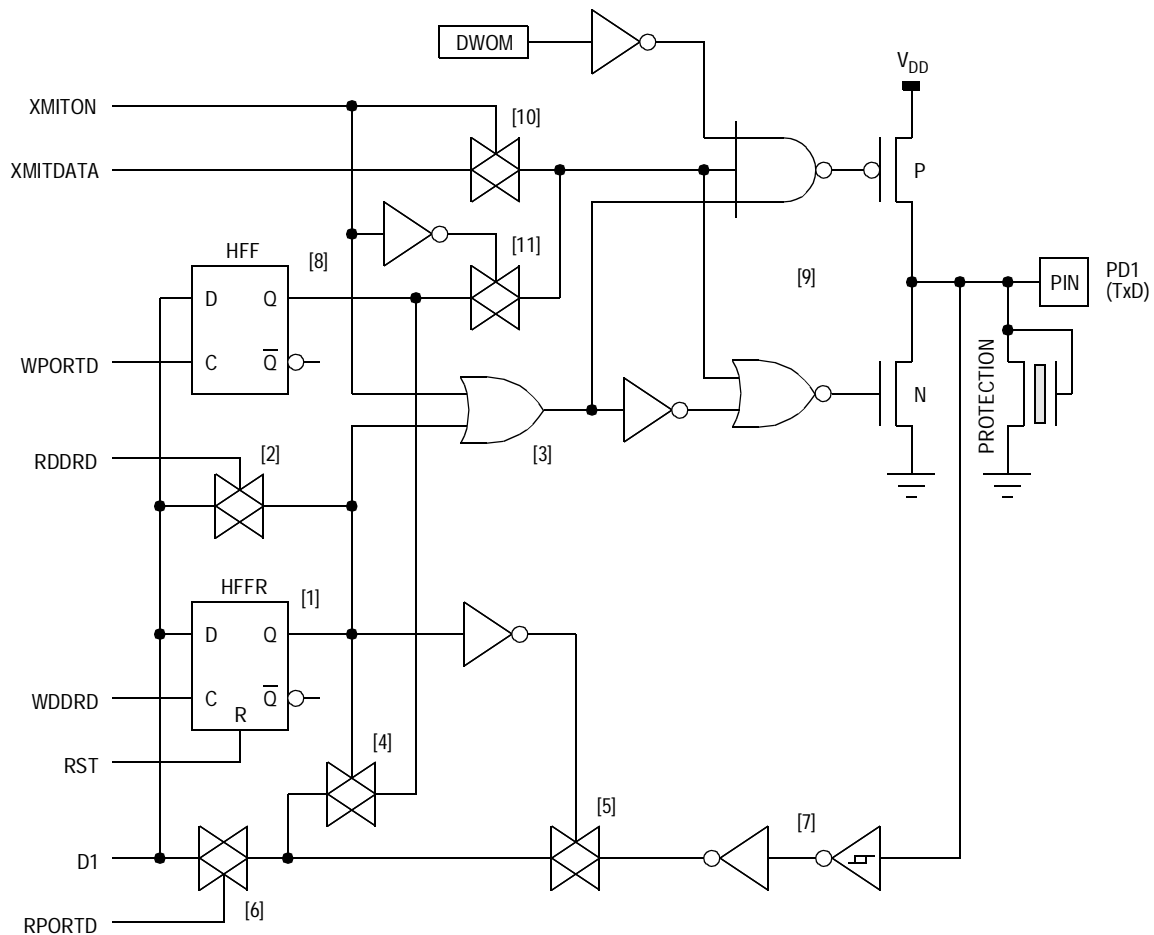


Figure 7-17. PD1 (TxD) Pin Logic

The state of DDRD controls the pin output buffer via OR gate [3], and DDRD affects the source of data for port D reads via transmission gates [4] and [5]. When the DDRD bit from HFF [1] is 1, OR gate [3] outputs a 1, which enables output driver [9]. Also, when the DDRD bit from HFF [1] is 1, transmission gate [4] is enabled. In this case, reads of port D enable transmission gate [6], which couples the level from the output of HFF [8] to the internal data bus. The value returned on such a read corresponds to the last value written to the corresponding bit of port D. Since output driver [9] can be configured for wired-OR operation, some external source can force the pin low even if the pin logic for this pin is attempting to output a 1. If the DDRD bit did not affect the source of the read data, an erroneous 0 could be read when the pin logic is actually trying to output a 1. When the DDRD bit from HFF [1] is 0, OR gate [3] outputs a 0, which disables output driver [9]. Also, when the DDRD bit is 0, transmission gate [5] is enabled. In this case, reads of port D enable transmission gate [6], which couples the buffered pin state from inverters [7] to the internal data bus.

During a write to port D, the WPORTD signal is asserted, causing data from the internal data bus to be latched into HFF [8]. When the SCI transmitter is enabled, the transmit-on (XMITON) signal is 1 and transmission gate [10] is enabled, which couples serial transmit data (XMITDATA) to pin driver [9]. When the SCI transmitter is disabled, the XMITON signal is 0, and transmission gate [11] is enabled, which couples port D data from HFF [8] to pin driver [9]. Pin output driver [9] is enabled by data direction logic from OR gate [3]. The DWOM control bit can optionally disable the P-channel driver of output buffer [9].

When the DWOM control bit is 1, the P-channel driver is disabled, causing port D outputs to act as open-drain drivers. The DWOM control bit concurrently affects all port D pins. When the output of OR gate [3] is 0, the output driver is completely disabled; thus, this pin is configured as a high-impedance input. OR gate [3] will output a 0 to disable the output driver whenever the corresponding DDRD bit is 0 from HFF [1] and the SCI transmitter is disabled by the XMITON signal. The state of the DDRD bit still influences the source of read data when the XMITON signal is forcing the pin to the output configuration.

This pin alternately serves as the transmit data (TxD) output pin for the asynchronous SCI system. The SCI transmitter is enabled by the TE control bit in an SCI control register. Enabling the transmitter forces the pin driver to be configured as an output by forcing a 1 at the output of OR gate [3]. The state of the DDRD bit allows the programmer to read the TxD pin (DDRD = 0) or the value in port D latch [8] (when DDRD = 1). The SCI transmitter retains control of the port D pin by keeping XMITON equal to 1 as long as any information is being transmitted (even after the TE bit is written to 0). This control ensures that a transmission will not be cut off in the middle of a serial character.

The user can control what happens to the TxD pin when the transmitter is finished. When the transmitter is finished using the TxD pin, the XMITON signal switches from 1 to 0, which causes the data direction to be controlled by the DDRD bit from HFF [1] instead of the XMITON input to OR gate [3]. Disabling XMITON also causes transmission gate [10] to be disabled and transmission gate [11] to be enabled. If the corresponding DDRD bit is 0, the pin will revert to being a high-impedance input when the transmitter is finished. If the DDRD bit is 1 and the last data written to the corresponding bit of port D was a 0, the pin will revert to a driven logic 0 when the transmitter is finished. If the DDRD bit is 1 and the last data written to the corresponding bit of port D was a 1, the pin will revert to a driven logic 1 when the transmitter is finished.

7.5.6.3 PD2 (MISO) Pin Logic

This pin alternately functions as the MISO pin when the synchronous SPI system is enabled. Refer to [Figure 7-18](#) for the following discussion. The data direction specification for this pin is held in HFF [1]. During a write to the DDRD register, the WDDRD signal is asserted, which causes data to be transferred into HFF [1] from the internal data bus. A read of DDRD causes the RDDRD signal to be asserted, enabling transmission gate [2] to couple the output of HFF [1] onto the internal data bus.

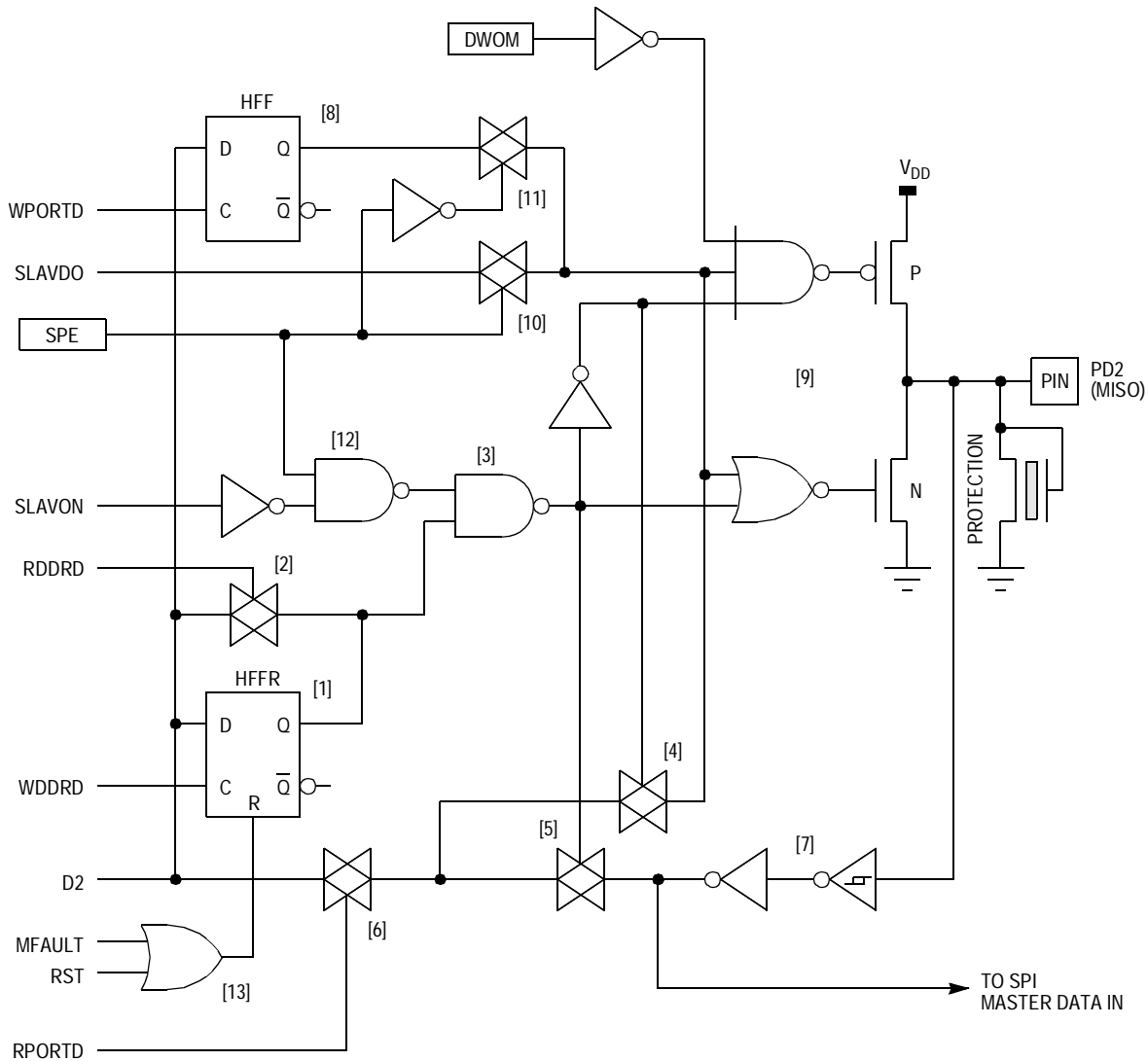


Figure 7-18. PD2 (MISO) Pin Logic

When HFF [1] is cleared to 0, this pin is configured as a high-impedance input. OR gate [13] causes HFF [1] to be cleared to 0 during reset. OR gate [13] also causes HFF [1] to be cleared if an SPI mode fault (MFAULT) occurs. An SPI mode fault is caused when a device configured as a master SPI device is selected as if it were a slave. This condition could indicate that more than one SPI device is attempting to drive the common SPI lines, which could cause a bus conflict. To avoid the possibility of latchup, the port D pins associated with the SPI are immediately forced to their input configuration.

The actual data direction for this port D pin is determined by the logic output of NAND gate [3]. When the SPI system is disabled, the DDRD bit from HFF [1] controls direction. When the SPI system is enabled in master mode, this pin is forced to a high-impedance input. When the SPI system is enabled in slave mode, the DDRD bit from HFF [1] controls direction. This last condition means that the user must set the corresponding DDRD bit to 1 to enable slave data output from this pin when the SPI system is enabled for slave operation. The uses and implications of this logic are discussed in greater detail in [Section 8. Synchronous Serial Peripheral Interface](#).

When the output of NAND gate [3] is 1, driver [9] is disabled so the pin is configured as a high-impedance input. To enable pin driver [9], both inputs to NAND gate [3] must be 1s. When the SPI system is disabled, SPE is 0, which makes the output of NAND gate [12] a 1. A logic 1 enables NAND gate [3] so that the DDRD bit from HFF [1] can enable or disable driver [9]. When the SPI system is operating as a master, SPE will be 1 and slave on (SLAVON) will be 0. This configuration causes NAND gate [12] to output a 0, which disables output driver [9], regardless of the state of the DDRD bit at HFF [1]. When the SPI system is enabled as a slave, SPE is 1 and SLAVON is 1. This configuration causes NAND gate [12] to output a 1, which enables NAND gate [3] to control the direction of output buffer [9] based on the state of the DDRD bit from HFF [1].

Output driver [9] can be placed in a wired-OR configuration by the DWOM control bit. This control bit simultaneously affects all six port D pins. When DWOM is 1, the P-channel device in the output driver is disabled so the pin cannot be actively driven high. When the pin attempts to output a logic 1, the N-channel device is disabled; thus, the pin appears as a high-impedance input. An external pullup is used to passively pull the pin high.

The data for output driver [9] comes from transmission gate [10] or [11]. When the SPI system is enabled, the SPE bit is 1; thus, transmission gate [10] is enabled, and data for the output driver comes from the SPI slave data output signal (SLAVDO). When the SPI system is disabled, the SPE control bit is 0; thus, transmission gate [10] is disabled and transmission gate [11] is enabled. In this case, port D data is coupled

from the output of HFF [8] to the input of output driver [9]. During a write to port D, the WPORTD signal is asserted, which causes data to be latched into HFF [8] from the internal data bus.

During a read of port D, transmission gate [6] is enabled by the RPORTD signal to couple data to the internal data bus. The source of data for port D reads depends on the direction control for the output driver. If the output of NAND gate [3] is 0, output driver [9] is enabled and transmission gate [4] is enabled. In this case, port D reads return the data from a point inside the output driver. If the output of NAND gate [3] is 1, transmission gate [5] is enabled. In this case, reads of port D return the buffered state from the pin through inverters [7].

The output of inverters [7] drives the serial master data input to the SPI system logic. The source of this data is always from the MISO pin and is not affected by the data direction logic.

7.5.6.4 PD3 (MOSI) Pin Logic

This pin alternately functions as the MOSI pin when the synchronous SPI system is enabled. Refer to [Figure 7-19](#) for the following discussion. The data direction specification for this pin is held in HFF [1]. During a write to the DDRD register, the WDDRD signal is asserted, causing data to be transferred into HFF [1] from the internal data bus. A read of DDRD causes the RDDRD signal to be asserted, which enables transmission gate [2] to couple the output of HFF [1] onto the internal data bus.

When HFF [1] is cleared to 0, this pin is configured as a high-impedance input. OR gate [13] causes HFF [1] to be cleared to 0 during reset. OR gate [13] also causes HFF [1] to be cleared if an SPI mode fault occurs. An SPI mode fault is caused when a device configured as a master SPI is selected as if it were a slave. This condition could indicate that more than one SPI device is attempting to drive the common SPI lines, which could cause a bus conflict. To avoid the possibility of latchup, the port D pins associated with the SPI are immediately forced to their input configuration.

The actual data direction for this port D pin is determined by the logic output of NAND gate [3]. When the SPI system is disabled, the DDRD bit from HFF [1] controls direction. When the SPI system is enabled in slave mode, this pin is configured as a high-impedance input. When the

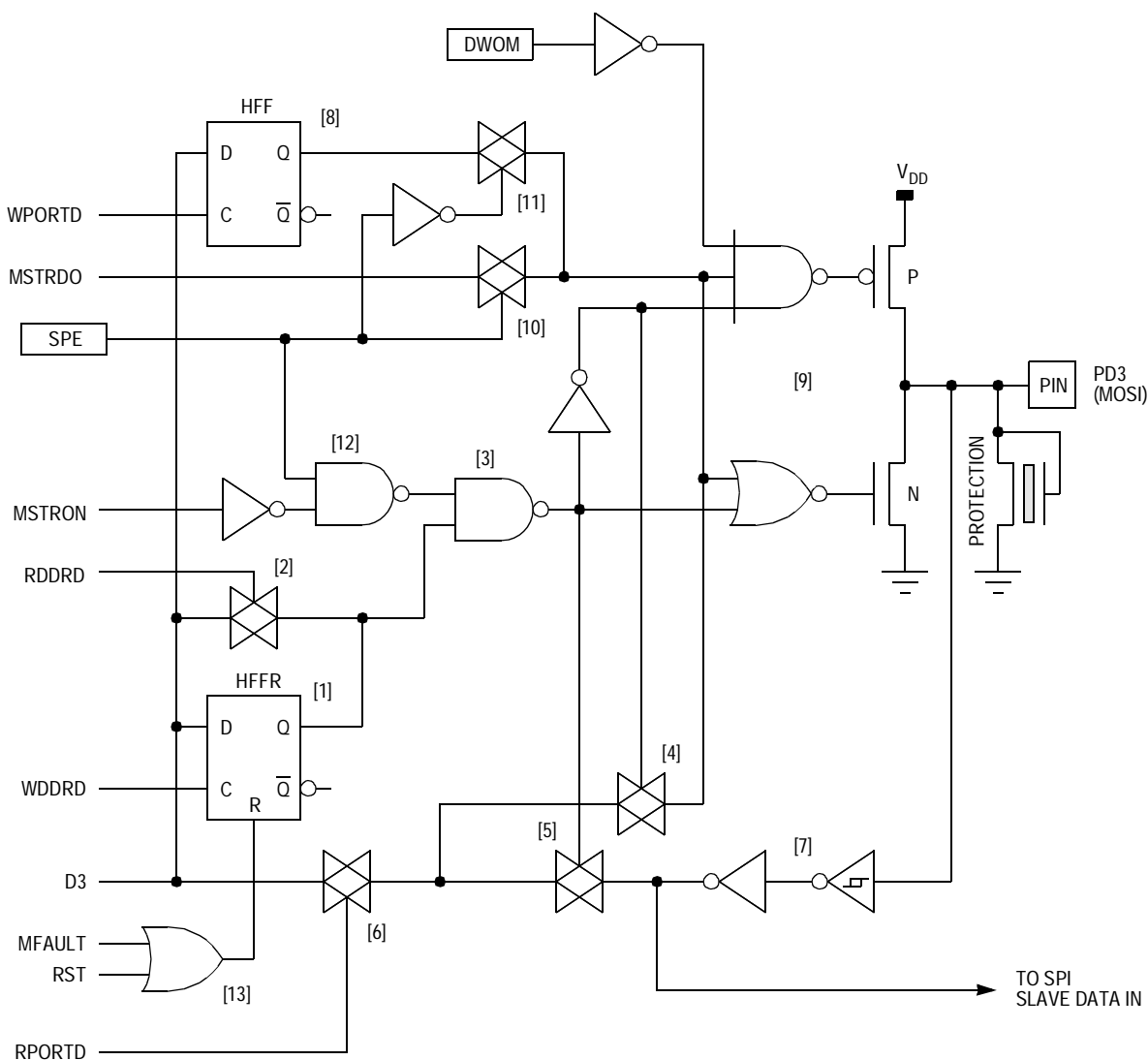


Figure 7-19. PD3 (MOSI) Pin Logic

SPI system is enabled in master mode, the DDRD bit from HFF [1] controls direction. This last condition means that the user must set the corresponding DDRD bit to 1 to enable master data output from this pin when the SPI system is configured for master operation. The uses and implications of this logic are discussed in greater detail in [Section 8. Synchronous Serial Peripheral Interface](#).

When the output of NAND gate [3] is 1, driver [9] is disabled; thus, the pin is configured as a high-impedance input. To enable pin driver [9], both inputs to NAND gate [3] must be 1s. When the SPI system is

disabled, SPE is 0, making the output of NAND gate [12] a 1. This configuration enables NAND gate [3] so that the DDRD bit from HFF [1] can enable or disable driver [9]. When the SPI system is enabled as a slave, SPE is 1 and master on (MSTRON) is 0. This configuration causes NAND gate [12] to output 0, which disables output driver [9], regardless of the state of the DDRD bit at HFF [1]. When the SPI system is enabled as a master, SPE is 1 and MSTRON is 1. This configuration causes NAND gate [12] to output a 1, which enables NAND gate [3] to control the direction of output buffer [9] based on the state of the DDRD bit from HFF [1].

Output driver [9] can be placed in a wired-OR configuration by the DWOM control bit. This control bit simultaneously affects all six port D pins. When DWOM is 1, the P-channel device in the output driver is disabled so the pin cannot be actively driven high. When the pin attempts to output logic 1, the N-channel device is disabled; thus, the pin appears as high-impedance input. An external pullup is used to passively pull the pin high.

The data for output driver [9] comes from transmission gate [10] or [11]. When the SPI system is enabled, the SPE bit is 1; transmission gate [10] is enabled, and data for the output driver comes from the SPI master data output signal (MSTRDO). When the SPI system is disabled, the SPE control bit is 0; transmission gate [10] is disabled and transmission gate [11] is enabled. In this case, port D data is coupled from the output of HFF [8] to the input of output driver [9]. During a write to port D, the WPORTD signal is asserted, which causes data to be latched into HFF [8] from the internal data bus.

During a read of port D, transmission gate [6] is enabled by the RPORTD signal to couple data to the internal data bus. The source of data for port D reads depends on the direction control for the output driver. If the output of NAND gate [3] is 0, output driver [9] is enabled and transmission gate [4] is enabled. In this case, port D reads return the data from a point inside the output driver. If the output of NAND gate [3] is 1, transmission gate [5] is enabled. In this case, reads of port D return the buffered state from the pin through inverters [7].

The output of inverters [7] drives the serial slave data input to the SPI system logic. Because the source of this data is always from the MOSI pin, it is not affected by the data direction logic.

When HFF [1] is cleared to 0, this pin is configured as a high-impedance input. OR gate [13] causes HFF [1] to be cleared to 0 during reset. OR gate [13] also causes HFF [1] to be cleared if there is an SPI mode fault. An SPI mode fault is caused when a device configured as a master SPI device is selected as if it were a slave. This condition could indicate that more than one SPI device is attempting to drive the common SPI lines, which could cause a bus conflict. To avoid the possibility of latchup, the port D pins associated with the SPI are immediately forced to their input configuration.

The actual data direction for this port D pin is determined by the logic output of NAND gate [3]. When the SPI system is disabled, the DDRD bit from HFF [1] controls direction. When the SPI system is enabled in slave mode, this pin is forced to a high-impedance input. When the SPI system is enabled in master mode, the DDRD bit from HFF [1] controls direction. This last condition means that the user must set the corresponding DDRD bit to 1 to enable the master clock output from this pin when the SPI system is configured for master operation. The uses and implications of this logic are discussed in greater detail in [Section 8. Synchronous Serial Peripheral Interface](#).

When the output of NAND gate [3] is 1, driver [9] is disabled so the pin is configured as a high-impedance input. To enable pin driver [9], both inputs to NAND gate [3] must be 1s. When the SPI system is disabled, SPE is 0, which makes the output of NAND gate [12] a 1. This enables NAND gate [3] so that the DDRD bit from HFF [1] can enable or disable driver [9]. When the SPI system is enabled as a slave, SPE is 1 and MSTRON is 0. This configuration causes NAND gate [12] to output a 0, which disables output driver [9], regardless of the state of the DDRD bit at HFF [1]. When the SPI system is enabled as a master, SPE is 1 and MSTRON is 1. This configuration causes NAND gate [12] to output a 1, which enables NAND gate [3] to control the direction of output buffer [9] based on the state of the DDRD bit from HFF [1].

Output driver [9] can be placed in a wired-OR configuration by the DWOM control bit. This control bit simultaneously affects all six port D pins. When DWOM is 1, the P-channel device in the output driver is disabled so the pin cannot be actively driven high. When the pin attempts to output a logic 1, the N-channel device is off; thus, the pin appears as a high-impedance input. An external pullup is used to passively pull the pin high.

The data for output driver [9] comes from transmission gate [10] or [11]. When the SPI system is enabled, the SPE bit is 1; thus, transmission gate [10] is enabled, and data for the output driver comes from the SPI master clock output signal (SPISCK). When the SPI system is disabled, the SPE control bit is 0; transmission gate [10] is disabled and transmission gate [11] is enabled. In this case, port D data is coupled from the output of HFF [8] to the input of output driver [9]. During a write to port D, the WPORTD signal is asserted, which causes data to be latched into HFF [8] from the internal data bus.

During a read of port D, transmission gate [6] is enabled by the RPORTD signal to couple data to the internal data bus. The source of data for port D reads depends on the direction control for the output driver. If the output of NAND gate [3] is 0, output driver [9] is enabled and transmission gate [4] is enabled. In this case, port D reads return the data from a point inside the output driver. If the output of NAND gate [3] is 1, transmission gate [5] is enabled. In this case, reads of port D return the buffered state from the pin through inverters [7].

The output of inverters [7] drives the SPI slave clock input to the SPI system logic. Because the source of this clock is always from the SCK pin, it is not affected by the data direction logic. When the SPI system is operating in master mode, the SPI clock is generated by the SPI system logic, and the slave clock input from inverters [7] is ignored.

7.5.6.6 PD5 (\overline{SS}) Pin Logic

This pin alternately functions as the (\overline{SS}) pin when the synchronous SPI system is enabled. Refer to [Figure 7-21](#) for the following discussion. The data direction specification for this pin is held in HFF [1]. During a write to the DDRD register, the WDDRD signal is asserted, causing data to be transferred into HFF [1] from the internal data bus. A read of DDRD causes the RDDRD signal to be asserted, which enables transmission gate [2] to couple the output of HFF [1] onto the internal data bus. When HFF [1] is cleared to 0 during reset, this pin is configured as a high-impedance input. Unlike the other three pins associated with the SPI system, the direction of this pin is not affected by mode faults.

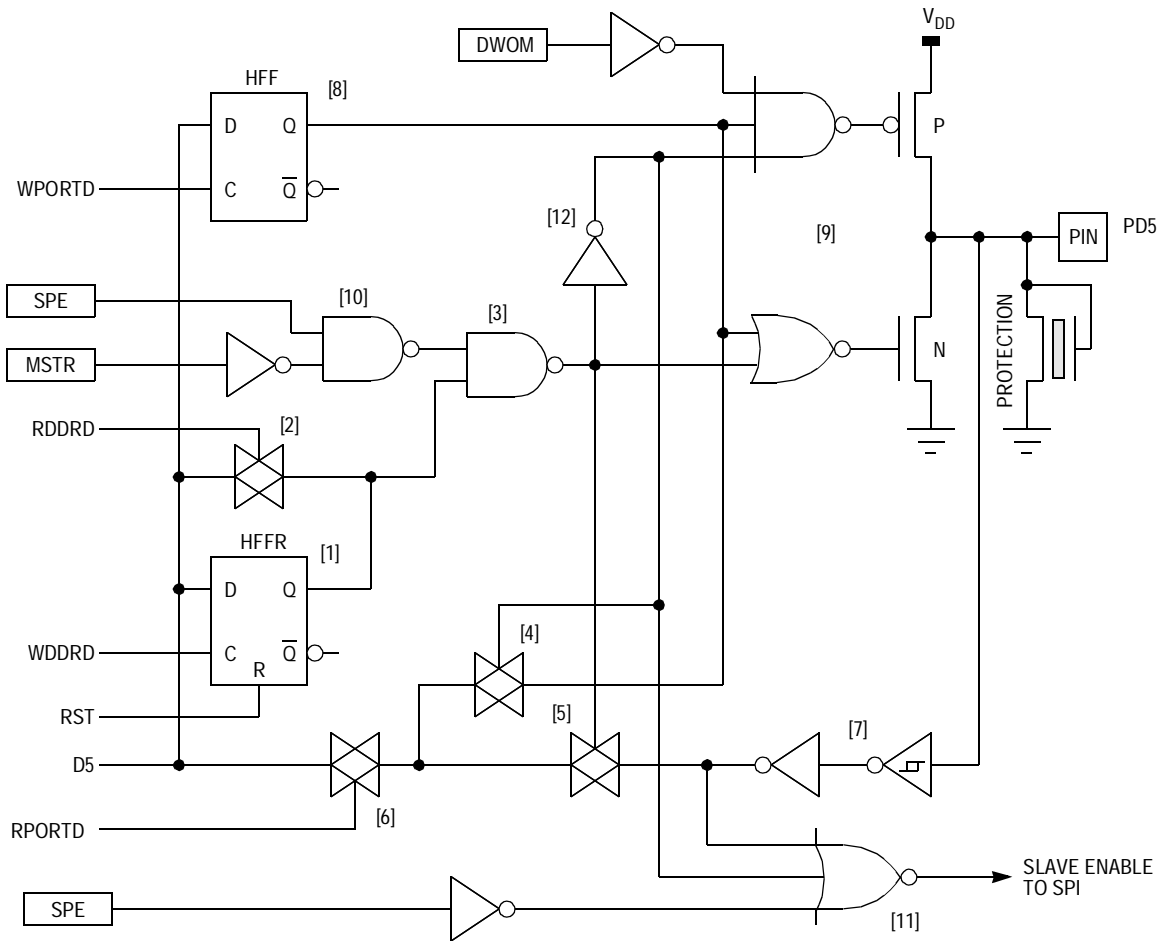


Figure 7-21. PD5 (\overline{SS}) Pin Logic

The actual data direction for this port D pin is determined by the logic output of NAND gate [3]. When the SPI system is disabled, the DDRD bit from HFF [1] controls direction. When the SPI system is enabled in slave mode, this pin is configured as a high-impedance input. When the SPI system is enabled in master mode, the DDRD bit from HFF [1] controls direction. This last condition allows a user to decide how this pin will be used when the SPI system is configured for master mode. If the DDRD bit is cleared to 0, this \overline{SS} pin is used as an input to detect mode faults. If the SPI system is configured so that mode faults would not occur, as in a single-master system, the user can set the DDRD bit corresponding to the \overline{SS} pin. In this case, the pin becomes a general-purpose output pin not associated with the SPI system. The uses and implications of this logic are discussed in greater detail in [Section 8. Synchronous Serial Peripheral Interface](#).

When the output of NAND gate [3] is 1, driver [9] is disabled; thus, the pin is configured as a high-impedance input. To enable pin driver [9], both inputs to NAND gate [3] must be 1s. When the SPI system is disabled, SPE is 0, making the output of NAND gate [10] a 1. This configuration enables NAND gate [3] so that the DDRD bit from HFF [1] can enable or disable driver [9]. When the SPI system is enabled as a slave, SPE is 1, and the master/slave control bit (MSTR) is 0. This configuration causes NAND gate [10] to output 0, which disables output driver [9], regardless of the state of the DDRD bit at HFF [1]. When the SPI system is enabled as a master, SPE is 1 and MSTR is 1. This causes NAND gate [10] to output 1, which enables NAND gate [3] to control the direction of output buffer [9] based on the state of the DDRD bit from HFF [1].

Output driver [9] can be placed in a wired-OR configuration by the DWOM control bit. This control bit simultaneously affects all six port D pins. When DWOM is 1, the P-channel device in the output driver is disabled so the pin cannot be actively driven high. When the pin attempts to output logic 1, the N-channel device is disabled; thus, the pin appears as a high-impedance input. An external pullup is used to passively pull the pin high. The data for output driver [9] comes from the output of HFF [8]. During a write to port D, the WPORTD signal is asserted, which causes data to be latched into HFF [8] from the internal data bus.

During a read of port D, transmission gate [6] is enabled by the RPORTD signal to couple data to the internal data bus. The source of data for port D reads depends on the direction control for the output driver. If the output of NAND gate [3] is 0, output driver [9] is enabled and transmission gate [4] is enabled. In this case, port D reads return the data from a point inside the output driver. If the output of NAND gate [3] is 1, transmission gate [5] is enabled. In this case, reads of port D return the buffered state from the pin through inverters [7].

The slave enable signal to the SPI logic is developed by NOR gate [11]. The active-low \overline{SS} signal from the pin is buffered by inverters [7] and drives one input of NOR gate [11]. The other two inputs to this NOR gate act as enables, and the output of the NOR gate is an active-high slave select signal to the main SPI logic. When the SPI system is disabled, SPE is 0, disabling NOR gate [11] by forcing its output to 0. When pin output driver [9] is enabled by a 0 at the output of NAND gate [3], NOR gate [11] is also disabled by the output of inverter [12]. This disabled

condition corresponds to \overline{SS} being enabled as a master and the DDRD bit associated with the \overline{SS} pin being set to 1. In this case, the PD5 pin is being used as a general-purpose output and has nothing to do with the SPI system. To avoid an erroneous mode fault condition due to a 0 at this pin, the \overline{SS} signal is disabled to the SPI logic.

7.5.6.7 Idealized Port D Timing

Figure 7-22 shows the idealized timing for important port D control signals. Since this timing diagram does not consider any propagation delays, it cannot be used as a substitute for data-sheet timing specifications. This information is useful for understanding the basis for data-sheet timing specifications so timing information can be extrapolated for bus frequencies other than that used for the data sheet. Timing information concerning the SPI system is included in **Section 8. Synchronous Serial Peripheral Interface**.

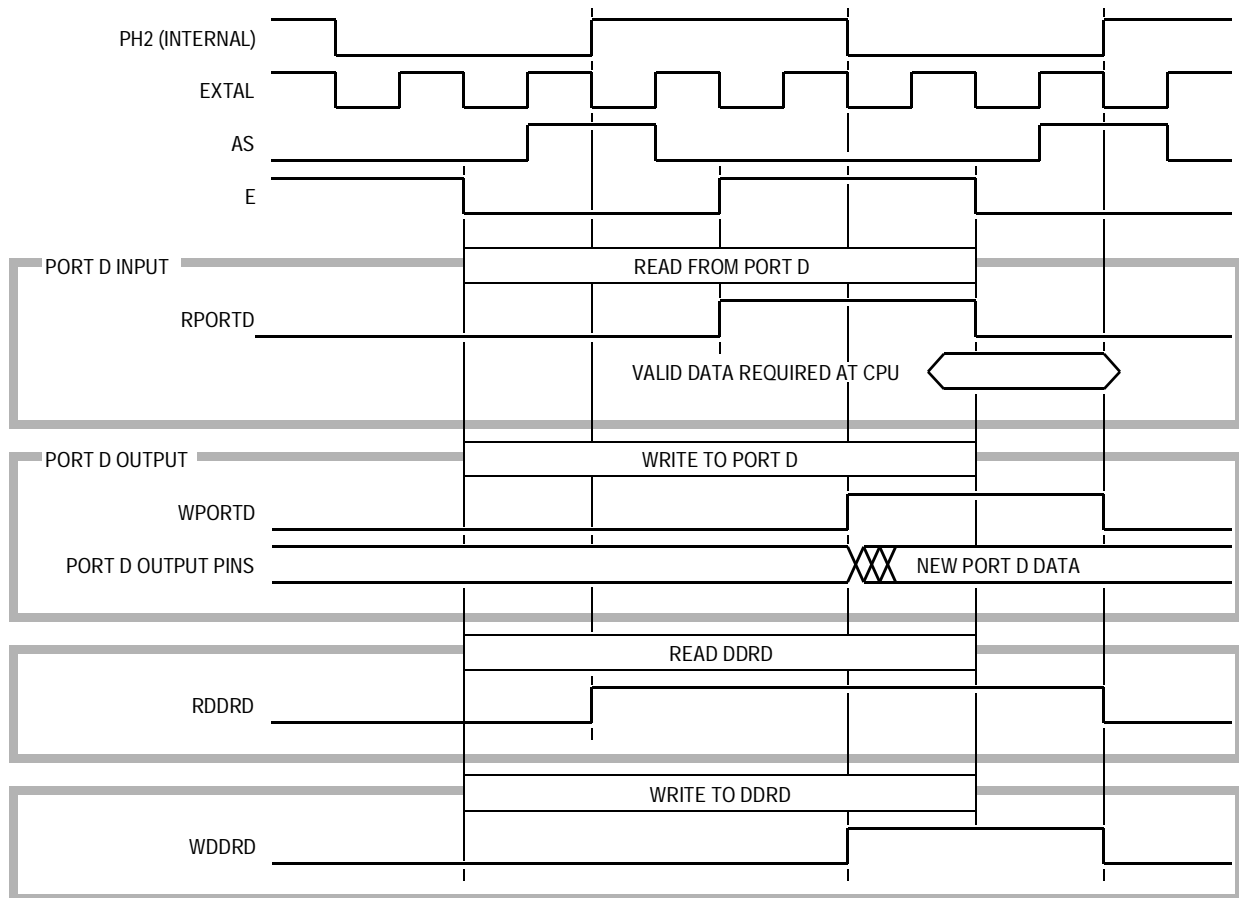


Figure 7-22. Idealized Port D Timing

On a port D read, the RPORTD signal enables transmission gates that drive port D data onto the internal data bus. After the RPORTD signal is negated, data is held stable on the self-latching internal data bus. The CPU actually requires this data to be valid for a setup before and hold time after the rising edge of the internal PH2 clock.

Port D writes cause changes to the port D output pins at the falling edge of the internal PH2 clock. This edge corresponds to the center of the E-clock high time.

During a DDRD read, the RDDR signal enables a transmission gate to couple the state of the DDRD bit to the internal data bus. In contrast to the RPORTD signal, RDDR is active while the CPU is actually reading the data from the internal data bus. Although it should pose no problems to the user, there is a remote chance that the state of the DDRD bits associated with three of the SPI pins (MISO, MOSI, and SCK) could change asynchronously with respect to a DDRD read due to a mode fault. In such a case, the bits in transition could be read incorrectly.

The timing for writes to DDRD is such that the pin configuration will change at the falling edge of the internal PH2 clock. This edge corresponds to the middle of the E-clock high time.

7.5.7 Port E

The eight port E pins are fixed-direction input pins that also serve as A/D analog channel inputs. Each of the port E pins has this same logic. The following paragraphs describe the detailed port E pin logic and the idealized timing of important port E signals.

7.5.7.1 Port E Pin Logic

Figure 7-23 shows the detailed pin logic for one port E pin. When the internal A/D converter system samples a port E pin, N-channel device [1] is enabled to couple the analog level from the port E pin to the sample and hold capacitance in the A/D system. The enable signal to device [1] is active for the first 12 E-clock cycles of a conversion cycle for the associated analog channel. A more detailed discussion of the timing of this enable signal is included in **Section 12. Analog-to-Digital Converter System**. N-channel device [1] and the gate signal driving it are specially designed to accurately pass analog levels over the full V_{REFL} to V_{REFH} range, even if V_{REFH} is slightly above V_{DD} .

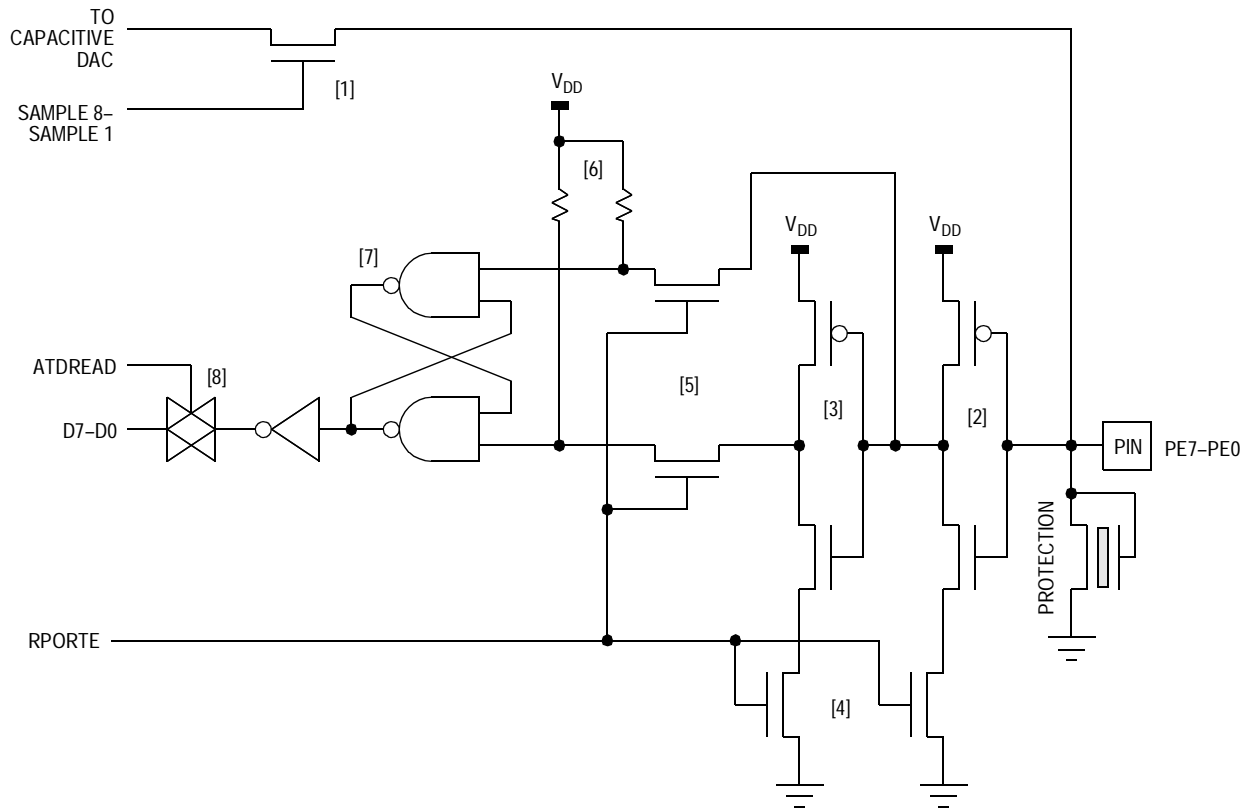


Figure 7-23. Port E Pin Logic

N- and P-channel devices [2] form an inverter whose input is connected to the pin and whose output is connected to the similar inverter stage [3]. Unlike a typical CMOS inverter, the N-channel device is connected through another series N-channel device to V_{SS} . This extra device acts as a strobe enable for the inverter. Since the port E pins are also used as analog inputs, there will be times when the pin is at an intermediate level. Intermediate levels cause normal CMOS inverters to draw excessive power-supply currents because both the N- and the P-channel devices can be partially turned on simultaneously, creating a low-impedance path between V_{DD} and V_{SS} . For port E pins, this path is interrupted by extra N-channel device [4].

Four N-channel devices [4] and [5] are used to isolate the potential analog levels at the port E pins from the digital logic associated with port E. When port E is read digitally, the $RPORTE$ signal is asserted to enable these devices. The devices [4] enable inverters [2] and [3]. The

devices [5] connect the outputs of inverters [2] and [3] to the set and reset inputs of cross-coupled NAND latch [7]. The RPORTE signal is only asserted for one-fourth of an E-clock cycle for the cycle where port E is read. The cross-coupled NAND latch holds this port E data until later in the read cycle when the CPU actually reads the data. The A/D read signal (ATDREAD) is asserted during port E reads to enable transmission gate [8] to couple the data from output latch [7] to the internal data bus.

Digital reads of port E are not recommended during the sample portion of an A/D conversion cycle when the gate signal to N-channel device [1] is enabled. The concern is that enabling inverters [2] and [3] might disturb the analog sample that is occurring. This disturbance is caused by very tiny gate-to-source and gate-to-drain capacitances in N- and P-channel devices [2].

7.5.7.2 Idealized Port E Timing

Figure 7-24 shows the idealized timing for important port E control signals. This timing diagram, which does not consider any propagation delays, cannot be used as a substitute for data-sheet timing specifications. This information is useful for understanding the basis for data-sheet timing specifications so timing information can be extrapolated for bus frequencies other than that used for the data sheet.

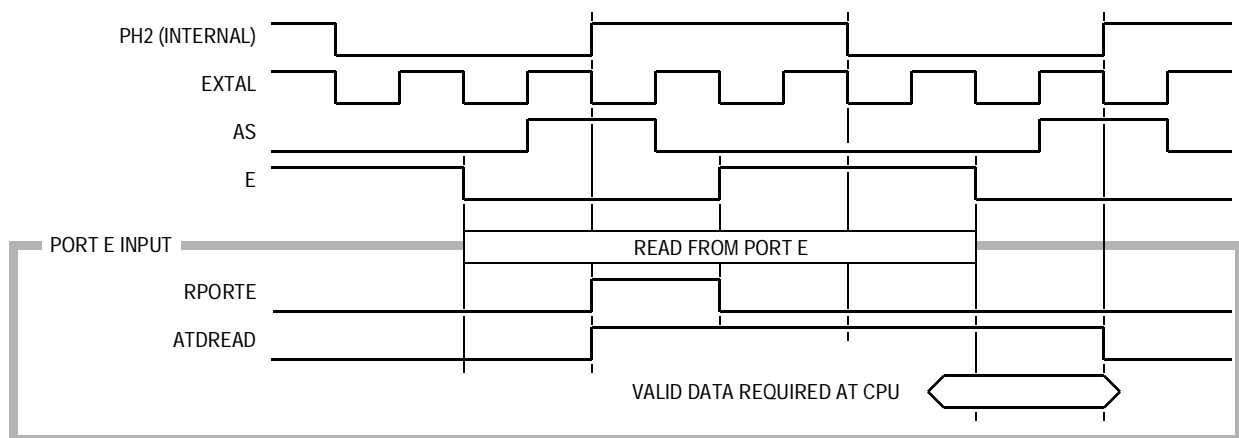


Figure 7-24. Idealized Port E Timing

On a port E read, the RPORTE signal is asserted for one-fourth E-clock cycle to enable the pin input buffers and transfer the digital value from the port E pins into cross-coupled NAND latches in the pin logic for each port E pin. The ATDREAD signal is also asserted to enable transmission gates that couple the outputs of the NAND latches to the internal data bus. Since the CPU does not actually use the data from the NAND latches until after the RPORTE signal is disabled, the latches are actually acting as synchronizers for port E data.

7.6 Handshake I/O Subsystem

The handshake I/O subsystem involves ports B and C, STRA input, STRB output, and the PIOC register. The following paragraphs explain the strobe and handshake protocols and the detailed operation of the PIOC register.

There are three primary modes of operation for the handshake I/O subsystem. The first (default) mode of operation is the simple strobe mode, which uses port B as a simple strobe output port and port C as a simple latching input port. The second mode of operation is a full-input handshake; the third mode is a full-output handshake. In the full-handshake modes of operation, port B is not involved; therefore, it defaults to being a general-purpose output port.

If the application does not require handshake functions, these functions can generally be ignored. Ports B and C can be used for simple general-purpose I/O; in fact, the STRA and STRB pins can even be used for limited non-handshake functions. When handshake functions are being used, it is usually possible to use any port C pins which are not needed for handshake as general-purpose I/O pins, without interfering with the handshake functions of the other port C pins. The one exception to this possibility is that while full-output handshake is specified, port C pins cannot usually function as general-purpose input pins. Examples of mixed use of port C pins are presented in [7.6.5 Non-Handshake Uses of STRA and STRB Pins](#).

7.6.1 Simple Strobe Mode

The simple strobe mode for the handshake I/O subsystem is selected by HNDS equal to 0 in the PIOC register. At reset, HNDS is forced to 0, which is the default mode of operation for the handshake I/O subsystem. In this mode, the OIN and PLS control bits in PIOC have no meaning or effect.

In simple strobe mode, port B is used as a strobe output port in conjunction with the STRB output pin. Port C is simultaneously used as a latching input port in conjunction with the STRA input pin. The strobe output function at port B is independent of the latching input function at port C.

Figure 7-25 shows the idealized timing for simple strobe mode operations in the MC68HC11A8. The timing for the MC68HC24 is slightly different because the MC68HC24 does not have access to the internal PH2 clock of the MC68HC11A8. Detailed descriptions of the strobe A and strobe B pins are presented in **7.5.3.2 Special Considerations for STRB on MC68HC24 PRU** and **7.5.5.2 Special Considerations for STRA on MC68HC24 PRU**.

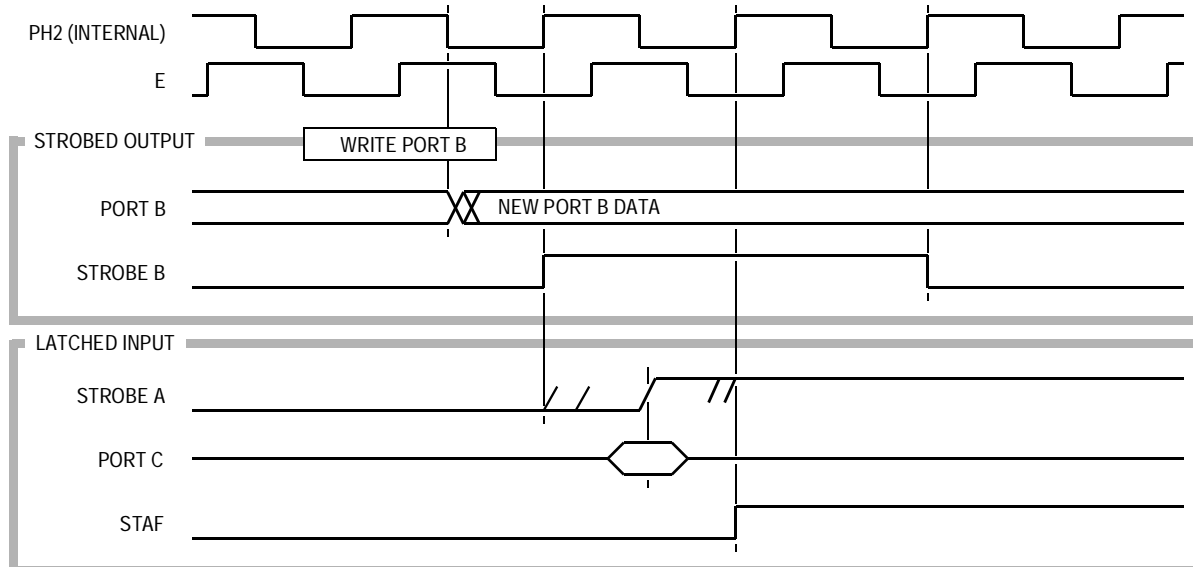


Figure 7-25. Idealized Timing for Simple Strobe Operations

7.6.1.1 Port B Strobe Output

In response to a write to PORTB, data is changed at port B, and then a two E-cycle pulse is generated at the STRB pin. Although the INVB control bit in PIOC allows a choice of polarity for strobe B pulses, [Figure 7-25](#) only shows the INVB = 1 case, which selects active-high strobe B pulses.

7.6.1.2 Port C Simple Latching Input

Data at port C is required to be valid for a short setup time before and a short hold time after the selected edge on the strobe A pin. Since the edge on strobe A is asynchronous, it need not have any special relationship with the E clock. The internal STAF bit, which indicates that port C data has been latched, must be synchronized with the internal clocks to avoid setting the flag in the portion of a cycle where it could be read. This factor implies there may be a delay between when the actual port C data is latched and when the MCU becomes aware of it. Not counting internal propagation delays, the MC68HC11A8 would have a delay between 0 nanoseconds and one E-clock period. If the relationship between the strobe A edges and the E clock is known, the user can predict the delay between port C data latching and setting STAF by a careful study of the strobe A pin description.

7.6.2 Full-Input Handshake Mode

Full-input handshake mode is selected when HNDS is 1 and OIN is 0. In this mode, the strobe B output acts as a ready signal to an external system. The external system should not attempt to strobe data into port C until the strobe B signal has been asserted, indicating a ready condition. The strobe A input is an edge-sensitive latch command, allowing the external system to asynchronously latch information into port C.

When a ready condition is recognized, the external device places data on the port D inputs, then pulses the strobe A input. The active edge on strobe A latches data into the PORTCL register, sets STAF (optionally causing an interrupt), and negates strobe B. Negation of strobe B automatically inhibits the external system from strobing any new data

into port C. Reading the latched data from PORTCL (independent of clearing STAF) causes strobe B to be asserted, indicating new data may now be strobed into port C.

Control bits allow flexibility to adapt to the requirements of a particular application. The INVB control bit selects the polarity of the strobe B signals. The EGA determines whether rising or falling edges will be the active edges for the strobe A input. The PLS bit determines whether strobe B will operate in pulsed mode or interlocked mode. In the interlocked mode, strobe B is asserted when the PORTCL register is read and is negated when an active edge is detected at the strobe A input. In the pulsed mode, strobe B is asserted when the PORTCL register is read but only remains asserted for two E-clock cycles.

Figure 7-26 illustrates the full-input handshake protocol. Separate wave forms are included to clarify the pulsed versus interlocked modes of strobe B. Although the polarity of strobe B and the active edge for strobe A can be selected, the figure only shows the case where INVB and EGA are 1s. This configuration specifies strobe A to be sensitive to rising edges and the active level on strobe B to be high. The timing shown in **Figure 7-26** is the idealized timing for the MC68HC11A8. The idealized timing for the MC68HC24 port replacement unit has small differences, which do not concern most users.

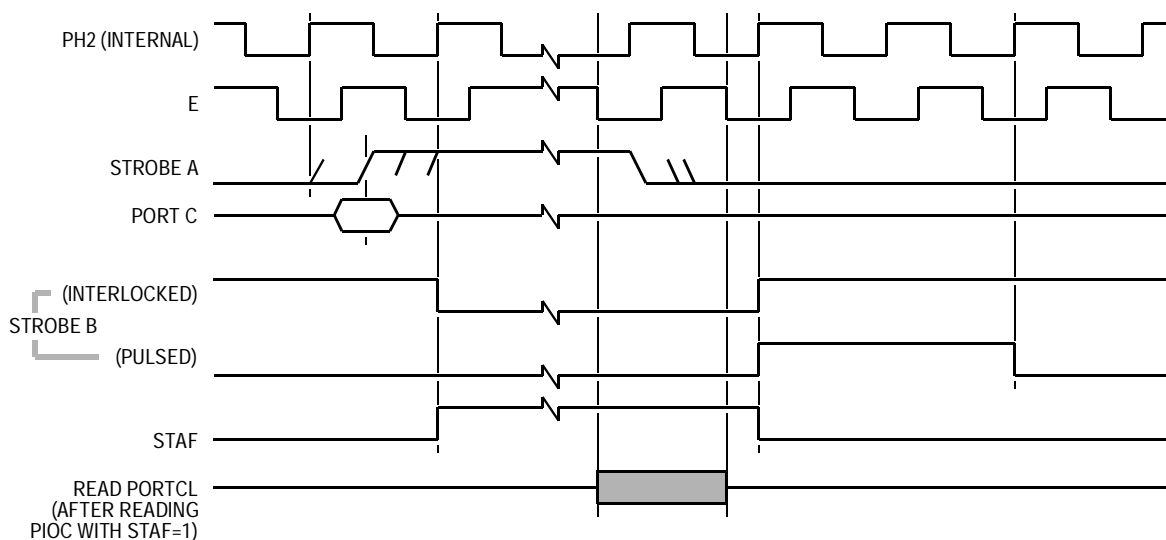


Figure 7-26. Idealized Timing for Full-Input Handshake

7.6.3 Full-Output Handshake Mode

Full-output handshake mode is selected when HNDS and OIN are 1s. In this mode, port C is used to output data to some external system. The strobe B output signal indicates that port C data is ready for the external system. The strobe A input is pulsed by the external system to acknowledge that it has accepted the data on port C. In the three-state variation of output handshake, strobe A also acts like the output enable of a 74HC244 buffer.

Figure 7-27 illustrates the full-output handshake protocol. This figure shows strobe B waveforms for both interlocked and pulsed modes. Waveforms are also provided to show the three-state variation of the output-handshake protocol. Although the polarities for strobes A and B are software programmable, only the case in which EGA and INVB are 1s is shown. This case specifies strobe B is active high, strobe A responds to rising edges, and the active level on strobe A is low for the three-state variation of output handshake.

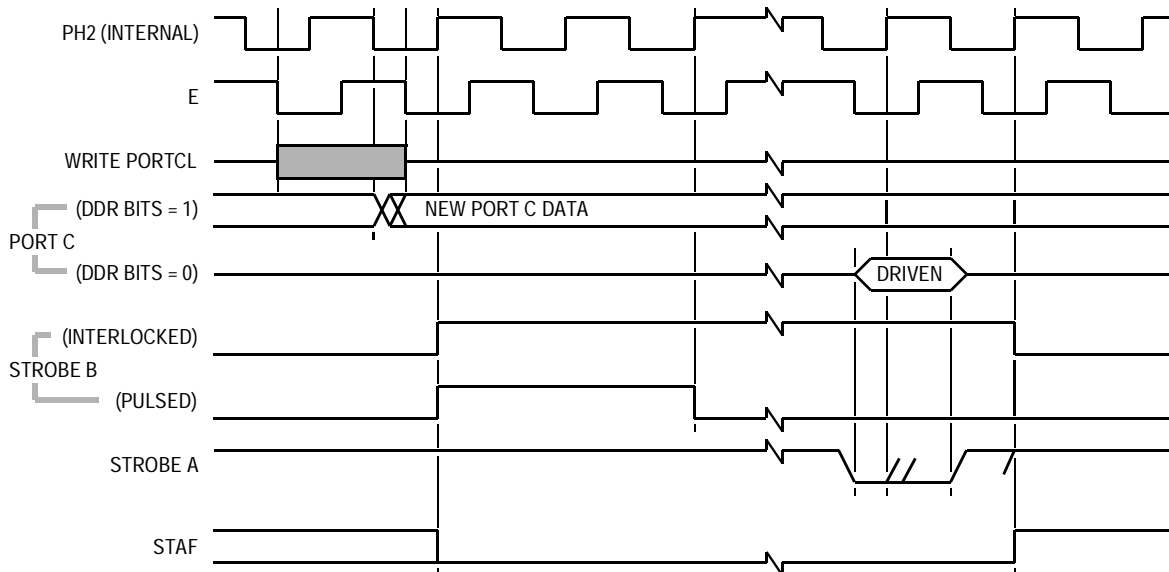


Figure 7-27. Idealized Timing for Full-Output Handshake

7.6.3.1 Normal Output Handshake

In an output-handshake transaction, data is output to port C pins by writing to the PORTCL register, which automatically causes strobe B to be asserted. The external system recognizes this strobe B signal as a ready indication. After accepting the data from port C, the external system pulses the strobe A input to acknowledge the receipt of data. The active edge on strobe A causes strobe B to be deasserted and STAF to be set. STAF signals that the MCU can begin the next transaction by writing the next byte of data to PORTCL.

7.6.3.2 Three-State Variation of Output Handshake

The three-state variation of output handshake can be thought of as if a 74HC244 buffer had been placed in series with the port C outputs with its output enable connected to the strobe A signal. The transaction sequence is identical to the normal output handshake protocol previously described.

Port C pins, which are to act as three-state outputs, have their corresponding DDRC control bits cleared to 0. As long as the strobe A input is at its inactive level, all port C pins obey their corresponding DDRC specification. When strobe A goes to its active level, all port C pins act as driven outputs, regardless of their corresponding DDRC specification. The active level is automatically specified when EGA is selected. If EGA is 0, falling edges are selected and the active level is high. If EGA is 1, rising edges are selected and the active level is low. The relationship between the active edge and the active level at strobe A was chosen so that the active edge will correspond to the trailing edge of a port C output enable pulse to strobe A.

7.6.4 Parallel I/O Control Register (PIOC)

The PIOC register is used to configure and control the handshake I/O subsystem in the MC68HC11A8. The register in [Figure 7-28](#) and the following paragraphs describe each of the control or status bits in greater detail.

Address: \$1002

	Bit 7	6	5	4	3	2	1	Bit 0
Read:	STAF	STAI	CWOM	HNDS	OIN	PLS	EGA	INVB
Write:								
Reset:	0	0	0	0	0	U	1	1

U = Unaffected

Figure 7-28. Parallel I/O Control Register (PIOC)

STAF — Strobe A Flag

This status flag is a key element of the handshake I/O subsystem. Independent of the strobe or handshake mode, STAF is always set as a result of a selected active edge at the STRA pin. The edge at STRA, which is asynchronous to the MCU E clock, causes data to be asynchronously latched into the PORTCL register. The STAF bit is synchronized to the internal PH2 clock. Provided the asynchronous edge occurs at least a setup time before the rising edge of PH2, STAF will become set at that PH2 rising edge. If this setup time is not met, then STAF would not be set until the next PH2. The rising edge of PH2 corresponds to the center of the E-clock low time. The active edge at STRA is software selectable by the EGA bit in the PIOC register.

The STAF bit is cleared by a 2-step, automatic clearing sequence. The first step arms the clearing mechanism; the second step clears STAF to 0. To arm the clearing mechanism, software reads the PIOC register while the STAF bit is set to 1. The second step depends upon the strobe or handshake mode in effect. In simple strobe mode (HNDS = 0), the second step of the clearing sequence is to read the PORTCL register. In full-input handshake mode (HNDS = 1 and OIN = 0), the second step of the clearing sequence is to read the PORTCL register. In full-output handshake mode (HNDS = 1 and OIN = 1), the second step of the clearing sequence is to write to the PORTCL register. The handshake mode can be changed between the arming and clearing steps of this sequence. If the mode is changed, the action required for the second step of the clearing sequence is governed by the state of HNDS and OIN at the time the second step is performed. Although any amount of delay is permitted between the two steps of this clearing sequence, it is best to keep the steps as close together as possible. The arming mechanism is

automatically cleared whenever the selected edge is detected at the STRA pin. If an edge is recognized after the arming step but before the clearing step, the internal arming signal will be deasserted, and the clearing step will not clear STAF.

STAI — Strobe A Interrupt Enable Bit

This control bit determines whether STAF will cause interrupts. When STAI is 1, a hardware interrupt request is generated whenever the STAF bit is set. When STAI is 0, STAF interrupts are inhibited.

CWOM — Port C Wired-OR Mode Bit

This bit is used to configure all port C outputs for wired-OR operation. When CWOM is 0, port C outputs operate as active push-pull drivers. When CWOM is 1, the P-type pullup devices are disabled, causing port C outputs to act as open-drain drivers. The CWOM bit simultaneously affects all eight port C bits. The P-channel device forms a P-N junction between the V_{DD} supply and the output pin so that the pin cannot be pulled more than a diode drop above the V_{DD} supply. For this reason, the wired-OR mode cannot be used for level conversion the way open-collector TTL devices are sometimes used. In a TTL system, a brief contention between two push-pull drivers, though not good practice, generally has no serious consequences. In a CMOS system, a brief contention between push-pull drivers can induce destructive latchup. In cases where two CMOS output drivers could be in contention, they should be configured for wired-OR operation. If there is a brief contention between the time one driver is turned on and the other is turned off, there will be no danger of latchup damage.

HNDS — Handshake/Simple Strobe Mode Select Bit

When HNDS is 0, the simple strobe mode is selected. In the simple strobe mode, the STRB pin is pulsed for two E-clock cycles after each write to port B. Also, port C data is asynchronously latched into the PORTCL register each time the selected edge is detected at the STRA pin. When HNDS is set to 1, either full-input or full-output handshake mode is selected. All full-handshake modes use port C, the STRA strobe input pin, and the STRB handshake output pin. Since the handshake I/O subsystem does not use port B when a full-handshake mode is selected, port B defaults to being a general-purpose output port.

OIN — Output/Input Handshake Select Bit

This bit has no effect unless HNDS is 1. When HNDS is 1, OIN further qualifies the handshake mode. When OIN is 1, full-output handshake is selected. When OIN is 0, full-input handshake is selected.

PLS — Strobe B Pulse Mode Select Bit

This control bit determines whether the STRB pin is configured for pulsed or interlocked operation. In interlocked mode, once STRB is asserted, it will remain active until an acknowledge edge is detected at the STRA pin. The interlocked mode is selected when PLS is 0. Interlocked mode cannot be specified unless HNDS is logic 1. In pulsed mode, STRB is deasserted exactly two E-clock cycles after it is asserted. When the simple strobe mode is selected (HNDS = 0), the pulsed mode is assumed, even if PLS is set to 1. Additional information about strobe B can be found in [7.5.3 R/W \(STRB\) Pin](#).

EGA — Edge Select for Strobe A Bit

This control bit selects which polarity edge will be recognized at the STRA input pin. When EGA is 0, falling edges are detected and rising edges are ignored. When EGA is 1, only rising edges are recognized at the STRA pin. When the three-state variation of the full-output handshake mode is being used, EGA also specifies the level on STRA that will cause port C output buffers to be enabled. The output enable for port C pins is an active-high internal signal, which is the exclusive OR of EGA with the level at the STRA pin. Thus, the trailing edge of the enable signal on the STRA pin will be the selected active edge used by the handshake sequence.

INVB — Invert Strobe B Bit

The STRB signal is developed in an S/R flip-flop in the STRB pin logic. The INVB control bit selects either the Q or \bar{Q} output of this flip-flop to be coupled out of the STRB pin. If INVB is 0, the \bar{Q} of this latch is coupled out of the STRB pin, and STRB signals are active low. If INVB is 1, the Q of this latch is used, and STRB signals are active high. Changes to INVB do not affect the state of the internal S/R flip-flop.

7.6.5 Non-Handshake Uses of STRA and STRB Pins

When not being used for handshake functions, the STRA pin can be used as a general-purpose edge-detection interrupt source, which is fairly common use for the STRA pin. The STAF is set each time a selected edge is recognized. The STAI control bit allows strobe A edges to force a maskable interrupt to the IRQ vector. The EGA control bit allows the user to select either rising edges or falling edges as the triggering edge for the strobe A input.

Though not a very common practice, the STRB pin can be used as an extra static output. When full-input handshake mode is selected, STRB remains at its inactive level until the PORTCL register is read. If PORTCL is never read, STRB stays at its inactive level indefinitely. The INVB control bit allows the user to switch the inactive level from 1 to 0 by writing to the PIOC register. In this scheme, it is important never to read the PORTCL register because this would cause STRB to automatically go to its active level. Other similar schemes may be developed to meet specific application needs.

Usually when the STRA and STRB pins are being used for non-handshake functions, the handshake I/O subsystem would be configured for full-input handshake mode because the other two modes result in interactions between the strobe pins and the port B and C pins. If simple strobe mode is selected, any write to port B will generate a pulse on the STRB pin. If full-output handshake is selected, each time the STRA pin goes to its selected active level, all port C pins are forced to be outputs (even if the DDRC bits indicate they should be inputs). These interactions are a normal consequence of the handshake I/O functions but could interfere with non-handshake use of the STRA and STRB pins. For this reason, users are encouraged to study the operation of the handshake I/O subsystem carefully if they plan to use STRA and STRB for non-handshake functions.

Section 8. Synchronous Serial Peripheral Interface

8.1 Contents

8.2	Introduction	292
8.3	SPI Transfer Formats	293
8.3.1	SPI Clock Phase and Polarity Controls	293
8.3.2	CPHA Equals Zero Transfer Format	293
8.3.3	CPHA Equals One Transfer Format.	294
8.4	SPI Block Diagram	295
8.5	SPI Pin Signals.	295
8.6	SPI Registers	298
8.6.1	Port D Data Direction Control Register (DDRD).	298
8.6.2	SPI Control Register (SPCR)	300
8.6.3	SPI Status Register (SPSR).	302
8.7	SPI System Errors	303
8.7.1	SPI Mode-Fault Error	303
8.7.2	SPI Write-Collision Errors.	304
8.8	Beginning and Ending SPI Transfers	305
8.8.1	Transfer Beginning Period (Initiation Delay).	305
8.8.2	Transfer Ending Period	306
8.9	Transfers to Peripherals with Odd Word Lengths.	309
8.9.1	Example 8-1: On-Chip SPI Driving an MC144110 D/A.	311
8.9.2	Example 8-2: Software SPI Driving an MC144110 D/A.	311

8.2 Introduction

The serial peripheral interface (SPI) is one of two independent serial communications subsystems included on the MC68HC11A8. As the name implies, the SPI is primarily used to allow the microcontroller unit (MCU) to communicate with peripheral devices. The SPI is also capable of interprocessor communications in a multiple-master system. Peripheral devices are as simple as an ordinary transistor-transistor logic (TTL) shift register or as complex as a complete subsystem, such as a liquid crystal diode (LCD) display driver or an analog-to-digital (A/D) converter subsystem. The SPI system is flexible enough to interface directly with numerous standard product peripherals from several manufacturers. The system can be configured as a master or a slave device. Data rates as high as 1 Mbit per second are accommodated when the system is configured as a master; rates as high as 2 Mbits per second are accommodated when the system is operated as a slave.

Clock control logic allows a selection of clock polarity and a choice of two fundamentally different clocking protocols to accommodate most available synchronous serial peripheral devices. When the SPI is configured as a master, software selects one of four different bit rates for the serial clock.

Error-detection logic is included to support interprocessor communications. A write-collision detector indicates when an attempt is made to write data to the serial shift register while a transfer is in progress. A multiple-master mode-fault detector automatically disables SPI output drivers if more than one MCU simultaneously attempts to become bus master.

The I/O pin control logic on the MC68HC11A8 is more flexible than that of other Motorola MCUs. This added I/O pin control allows the MC68HC11A8 to implement systems with a single, bidirectional data line or other unusual synchronous serial configurations.

8.3 SPI Transfer Formats

During an SPI transfer, data is simultaneously transmitted (shifted out serially) and received (shifted in serially). A serial clock line synchronizes shifting and sampling of the information on the two serial data lines. A slave select line allows individual selection of a slave SPI device; slave devices that are not selected do not interfere with SPI bus activities. On a master SPI device, the slave select line can optionally be used to indicate a multiple-master bus contention.

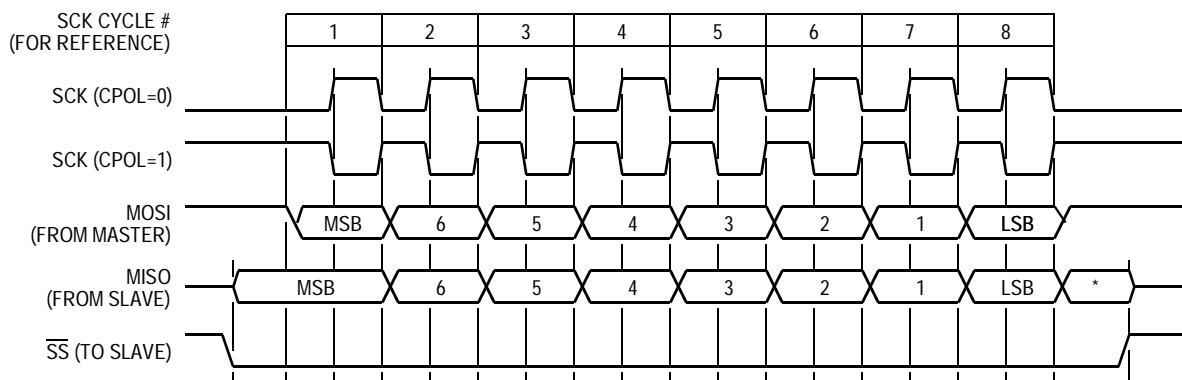
8.3.1 SPI Clock Phase and Polarity Controls

Software can select any of four combinations of serial clock (SCK) phase and polarity using two bits in the SPI control register (SPCR). The clock polarity is specified by the CPOL control bit, which selects an active high or active low clock and has no significant effect on the transfer format. The clock phase (CPHA) control bit selects one of two fundamentally different transfer formats. The clock phase and polarity should be identical for the master SPI device and the communicating slave device. In some cases, the phase and polarity are changed between transfers to allow a master device to communicate with peripheral slaves having different requirements. The flexibility of the SPI system on the MC68HC11A8 allows direct interface to almost any existing synchronous serial peripheral.

8.3.2 CPHA Equals Zero Transfer Format

Figure 8-1 is a timing diagram of an SPI transfer where CPHA is 0. Two waveforms are shown for SCK: one for CPOL equals 0 and another for CPOL equals 1. The diagram may be interpreted as a master or slave timing diagram since the SCK, master in/slave out (MISO), and master out/slave in (MOSI) pins are directly connected between the master and the slave. The MISO signal is the output from the slave, and the MOSI signal is the output from the master. The \overline{SS} line is the slave select input to the slave; the \overline{SS} pin of the master is not shown but is assumed to be inactive. The \overline{SS} pin of the master must be high or must be reconfigured as a general-purpose output not affecting the SPI. This timing diagram functionally depicts how a transfer takes place; it should not be used as a replacement for data-sheet parametric information.

Synchronous Serial Peripheral Interface

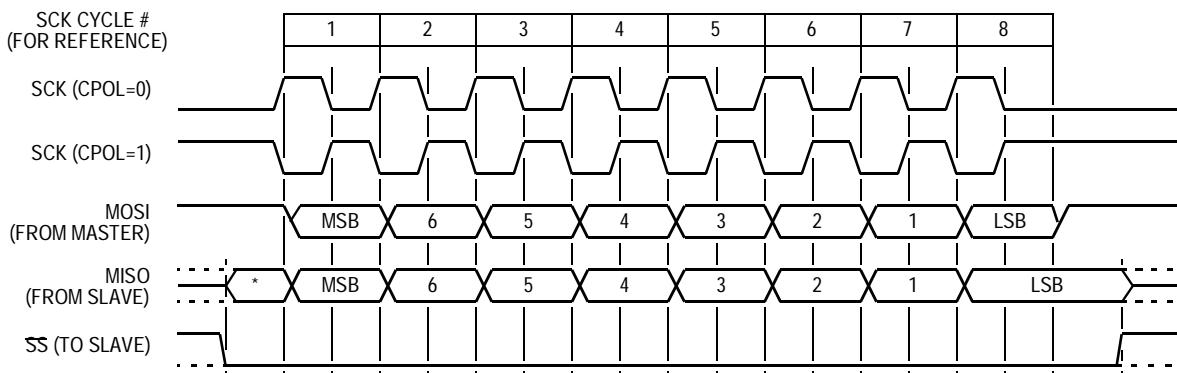


*Not defined but normally MSB of character just received.

Figure 8-1. CPHA Equals Zero SPI Transfer Format

8.3.3 CPHA Equals One Transfer Format

Figure 8-2 is a timing diagram of an SPI transfer where CPHA = 1. Two waveforms are shown for SCK: one for CPOL = 0 and another for CPOL = 1. The diagram may be interpreted as a master or slave timing diagram since the SCK, MISO, and MOSI pins are directly connected between the master and the slave. The MISO signal is the output from the slave, and the MOSI signal is the output from the master. The \overline{SS} line is the slave select input to the slave; the \overline{SS} pin of the master is not shown but is assumed to be inactive. The \overline{SS} pin of the master must be high or must be reconfigured as a general-purpose output not affecting the SPI. This timing diagram functionally illustrates how a transfer takes place; it should not be used as a replacement for data-sheet parametric information.



*Not defined but normally LSB of previously transmitted character.

Figure 8-2. CPHA Equals One SPI Transfer Format

When $CPHA = 0$, the \overline{SS} line must be deasserted and reasserted between each successive serial byte. Also, if the slave writes data to the SPI data register (SPDR) while \overline{SS} is active low, a write-collision error results.

When $CPHA = 1$, the \overline{SS} line may remain active low between successive transfers (can be tied low at all times). This format is sometimes preferred in systems having a single fixed master and a single slave driving the MISO data line.

8.4 SPI Block Diagram

Figure 8-3 is a block diagram of the SPI subsystem. When an SPI transfer occurs, an 8-bit character is shifted out one data pin while a different 8-bit character is simultaneously shifted in a second data pin. Another way to view this transfer is that an 8-bit shift register in the master and another 8-bit shift register in the slave are connected as a circular 16-bit shift register. When a transfer occurs, this distributed shift register is shifted eight bit positions; thus, the characters in the master and slave are effectively exchanged.

The central element in the SPI system is the block containing the shift register and the read data buffer. The system is single buffered in the transmit direction and double buffered in the receive direction. This fact means new data for transmission cannot be written to the shifter until the previous transaction is complete; however, received data is transferred into a parallel read data buffer so the shifter is free to accept a second serial character. As long as the first character is read out of the read data buffer before the next serial character is ready to be transferred, no overrun condition will occur. A single MCU register address is used for reading data from the read data buffer and for writing data to the shifter.

8.5 SPI Pin Signals

Four I/O pin signals are associated with SPI transfers: the SCK, the MISO data line, the MOSI data line, and the active low \overline{SS} pin. When the SPI system is disabled, the four pins are configured for general-purpose I/O, and the primary direction of data is controlled by a data direction control bit corresponding to each I/O pin. When the SPI system is

Synchronous Serial Peripheral Interface

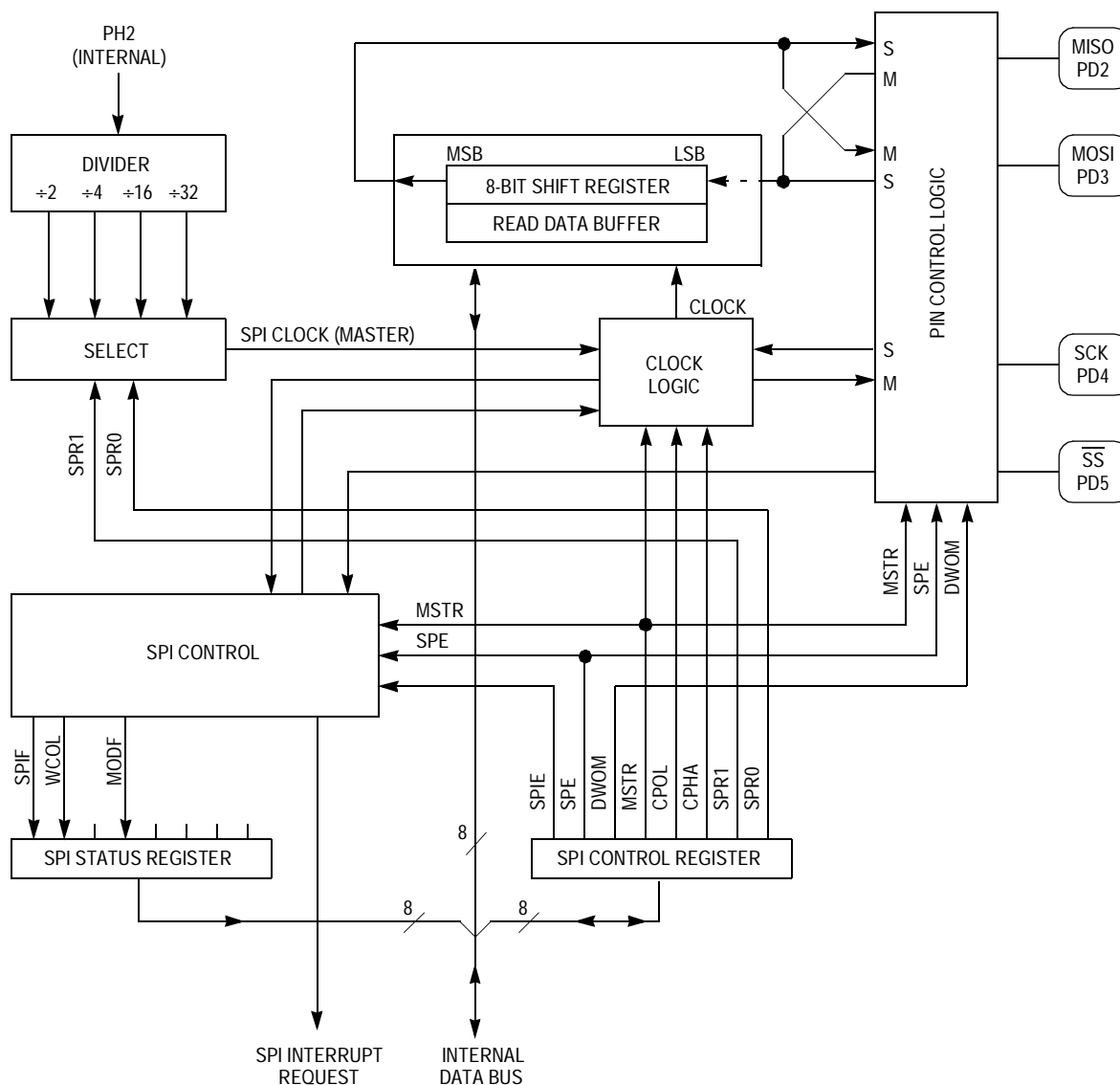


Figure 8-3. SPI System Block Diagram

enabled, the data direction control bits still influence the direction of data at the pins. Detailed logic for these pins is included in [Section 7. Parallel Input/Output](#). The following rules answer the most common questions. When the SPI system is on and expects a pin to be an input, the pin will be configured as an input regardless of the state of its data direction control bit. When the SPI system is on and expects a pin to be an output, the pin will be configured as an output only if its data direction control bit is set to 1. When the SPI is configured as a master, the PD5/ \overline{SS} pin is a special case.

NOTE: *SPI transfers will not occur unless the outputs are enabled by setting the corresponding DDRD bits. SPI outputs are disabled (high impedance) unless their corresponding DDRD bits are set to 1. SPI inputs are configured as high-impedance inputs even if their corresponding DDRD bits are set to 1.*

The SCK pin is an output when the SPI is configured as a master and an input when the SPI is configured as a slave. When the SPI is configured as a master, the SCK signal is derived from the internal MCU bus clock. When the master initiates a transfer, eight clock cycles are automatically generated on the SCK pin. When the SPI is configured as a slave, the SCK pin is an input, and the clock signal from the master synchronizes the data transfer between the master and slave devices. Slave devices ignore the SCK signal unless the slave select pin is active low. In both the master and slave SPI devices, data is shifted on one edge of the SCK signal and is sampled on the opposite edge where data is stable. Edge polarity is determined by the SPI transfer protocol.

The MISO and MOSI data pins are used for transmitting and receiving serial data. When the SPI is configured as a master, MISO is the master data input line, and MOSI is the master data output line. When the SPI is configured as a slave, these pins reverse roles. In a multiple-master system, all SCK pins are tied together, all MOSI pins are tied together, and all MISO pins are tied together. A single SPI device is configured as a master; all other SPI devices on the SPI bus are configured as slaves. The single master drives data out its SCK and MOSI pins to the SCK and MOSI pins of the slaves. One selected slave device optionally drives data out its MISO pin to the MISO master pin. The automatic control of the direction of these pins makes reconfiguration through external logic unnecessary when a new device becomes the master.

The \overline{SS} pin behaves differently on master and slave devices. On a slave device, this pin is used to enable the SPI slave for a transfer. If the \overline{SS} pin of a slave is inactive (high), the device ignores SCK clocks and keeps the MISO output pin in the high-impedance state. On a master device, the \overline{SS} pin can optionally serve as an error-detection input for the SPI or as a general-purpose output not affecting the SPI. The choice is based on the corresponding data direction control bit (DDRD5). When DDRD5 is logic 1 and the SPI is configured as a master, the PD5/ \overline{SS} pin acts as

a general-purpose output that is independent of SPI activities. When the $\overline{\text{DDR}}\text{D5}$ bit is logic 0 and the SPI system is configured as a master, the $\overline{\text{SS}}$ pin acts as an error-detection input, which should remain high. If the $\overline{\text{SS}}$ pin goes low while the SPI is a master and is using the $\overline{\text{SS}}$ pin as an error-detection input, it indicates that some other device on the SPI bus is attempting to be a master. This attempt causes the master device sensing the error to immediately exit the SPI bus to avoid potentially damaging driver contentions. This detection is called a mode fault and is discussed in [8.7.1 SPI Mode-Fault Error](#).

The port D I/O pins, including the four SPI pins, can be configured to behave as open-drain drivers. The port D wired-OR mode (DWOM) control bit is used to enable this option. An external pull-up resistor is required on each port D output pin while this option is selected. In multiple-master systems, this option provides extra protection against CMOS latchup because, even if more than one SPI device tries to simultaneously drive the same bus line, there will be no destructive contention. Other unusual SPI system configurations also benefit from this option (for example, when MISO and MOSI are tied together to form a single, bidirectional data line).

8.6 SPI Registers

The SPI control register (SPCR), SPI status register (SPSR), and SPDR are software-accessible registers used to configure and operate the SPI system. Because the port D data direction control register (DDRD) influences SPI activities, it is discussed briefly. Detailed logic diagrams of the port D pins can be found in [Section 7. Parallel Input/Output](#).

8.6.1 Port D Data Direction Control Register (DDRD)

This register, which may be read or written at any time, is used to control the primary direction of port D pins. Bits 5, 4, 3, and 2 of port D are used by the SPI system when the SPI enable (SPE) control bit is 1. The serial communications interface (SCI) system uses the other two bits of port D when the SCI receiver and transmitter are enabled. This description of DDRD is intended to cover only material related to the SPI system.

Address: \$1009

	Bit 7	6	5	4	3	2	1	Bit 0
Read:	0	0	DDRD5	DDRD4	DDRD3	DDRD2	DDRD1	DDRD0
Write:								
Reset:	0	0	0	0	0	0	0	0
Reference:	—	—	\overline{SS}	SCK	MOSI	MISO	TxD	RxD

Figure 8-4. Port D Data Direction Register (DDRD)

DDRD5 — Data Direction Control for Port D Bit 5 (\overline{SS})

When the SPI system is enabled as a slave ($SPE = 1$; $MSTR = 0$), the $PD5/\overline{SS}$ pin is the slave select input, regardless of the value of $DDRD5$. When the SPI system is enabled as a master ($SPE = 1$; $MSTR = 1$), the function of the $PD5/\overline{SS}$ pin depends on the value in $DDRD5$.

- 0 = The \overline{SS} pin is used as an input to detect mode-fault errors. A low on this pin indicates that some other device in a multiple-master system has become a master and is trying to select this MCU as a slave. To prevent harmful contentions between output drivers, a mode fault is generated, which causes the device sensing the fault to immediately change all of its SPI pins to high impedance. Additional information on mode faults is given in [8.7.1 SPI Mode-Fault Error](#).
- 1 = The $PD5/\overline{SS}$ pin acts as a general-purpose output not affected by the SPI system. Because the mode-fault detection logic in the SPI is disabled, changing this $PD5$ output pin to 0 does not affect the SPI system.

DDRD4 — Data Direction Control for Port D Bit 4 (SCK)

When the SPI system is enabled as a slave, the $PD4/SCK$ pin acts as the SPI serial clock input, regardless of the state of $DDRD4$. When the SPI system is enabled as a master, the $DDRD4$ bit must be set to 1 to enable the SCK output.

DDRD3 — Data Direction Control for Port D Bit 3 (MOSI)

When the SPI system is enabled as a slave, the $PD3/MOSI$ pin acts as the slave serial data input, regardless of the state of $DDRD3$.

When the SPI system is enabled as a master, the DDRD3 bit must be set to 1 to enable the master serial data output. If a master device wants to initiate an SPI transfer to receive a byte of data from a slave without transmitting a byte, it might purposely leave the MOSI output disabled. SPI systems that tie MOSI and MISO together to form a single bidirectional data line also need to selectively disable the MOSI output.

DDRD2 — Data Direction Control for Port D Bit 2 (MISO)

When the SPI system is enabled as a slave, the DDRD2 bit must be set to 1 to enable the slave serial data output. A master SPI device can simultaneously broadcast a message to several slaves as long as no more than one of the slaves tries to drive the MISO line. SPI systems that tie MOSI and MISO together to form a single bidirectional data line also need to selectively disable the MISO output.

When the SPI system is enabled as a master, the PD2/MISO pin acts as the master serial data input, regardless of the state of DDRD2.

8.6.2 SPI Control Register (SPCR)

This register, which may be read or written at any time, is used to configure the SPI system. The DDRD register must also be properly configured before SPI transfers can occur.

Address: \$1028

	Bit 7	6	5	4	3	2	1	Bit 0
Read:	SPIE	SPE	DWOM	MSTR	CPOL	CPHA	SPR1	SPR0
Write:								
Reset:	0	0	0	0	0	1	U	U

U = Unaffected

Figure 8-5. SPI Control Register (SPCR)

SPIE — SPI Interrupt Enable Bit

0 = SPI interrupts disabled; polling used to sense the SPIF and MODF flags

1 = SPI interrupt requested if SPIF or MODF set (provided I bit in condition code register (CCR) is 0)

SPE — SPI System Enable Bit

- 0 = SPI system off
- 1 = SPI system on

DWOM — Port D Wired-OR Mode Select Bit

- 0 = Port D outputs push-pull
- 1 = P-channel pullups on all six port D output drivers disabled, so port D outputs act as open-drain drivers

MSTR — Master/Slave Mode Select Bit

- 0 = SPI configured as a slave
- 1 = SPI configured as a master

CPOL — Clock Polarity Select Bit

- 0 = Active high clocks selected; SCK idles low
- 1 = Active low clocks selected; SCK idles high

CPHA — Clock Phase Select Bit

This control bit selects one of two fundamentally different transfer formats (see [8.3 SPI Transfer Formats](#)).

SPR1 and SPR0 — SPI Bit Rate Select Bits

The following table shows the relationship between the SPR1 and SPR0 control bits and the bit rate for transfers when the SPI is operating as a master. When the SPI is operating as a slave, the serial clock is input from the master; therefore, the SPR1 and SPR0 control bits have no meaning.

SPR1	SPR0	E Clock Divided By
0	0	2
0	1	4
1	0	16
1	1	32

8.6.3 SPI Status Register (SPSR)

This read-only register contains status flags indicating the completion of an SPI transfer and the occurrence of certain SPI system errors. The flags are automatically set by the occurrence of the corresponding SPI events; the flags are cleared by automatic software sequences.

Address: \$1029

	Bit 7	6	5	4	3	2	1	Bit 0
Read:	SPIF	WCOL	0	MODF	0	0	0	0
Write:								
Reset:	0	0	0	0	0	0	0	0

Figure 8-6. SPI Status Register (SPSR)

SPIF — SPI Transfer Complete Flag

This flag is automatically set to 1 at the end of an SPI transfer. SPIF is automatically cleared by reading the SPSR with SPIF set, followed by an access of the SPDR. The definition of end of a transfer varies with master versus slave and the transfer format specified by CPHA. This subject is discussed in [8.8 Beginning and Ending SPI Transfers](#).

WCOL — Write Collision Error Flag

This flag is automatically set if the SPDR is written while a transfer is in progress. WCOL is automatically cleared by reading the SPSR with WCOL set, followed by an access of the SPDR. The details of when a transfer technically begins and ends depend on the configuration of the SPI system, which is discussed in [8.8 Beginning and Ending SPI Transfers](#).

Bit 5 — Not implemented; always reads 0

MODF — Mode-Fault Error Flag

This flag is set if the \overline{SS} signal goes to active low while the SPI is configured as a master (MSTR = 1). MODF is automatically cleared by reading the SPSR with MODF set, followed by a write to the SPCR. Because the mode-fault mechanism is intended to prevent damage due to conflicts between output drivers, it takes effect immediately, regardless of the SPI system configuration at the time of the fault. The

MSTR control bit in the SPCR and all four DDRD control bits associated with the SPI are cleared, and an interrupt is generated subject to masking by the SPIE control bit and the I bit in the CCR. Mode-fault errors are discussed in greater detail in [8.7.1 SPI Mode-Fault Error](#).

Bits [3:0] — Not implemented; always read 0

8.7 SPI System Errors

Two system errors can be detected by the SPI system in the MC68HC11A8:

- The first type error arises in a multiple-master system when more than one SPI device simultaneously tries to be a master. This error is called a mode fault.
- The second type error, a write collision, indicates that an attempt has been made to write data to the SPDR while a transfer was in progress.

8.7.1 SPI Mode-Fault Error

When the SPI system is configured as a master and the \overline{SS} input line goes to active low, a mode-fault error has occurred. Only an SPI master can experience a mode-fault error, caused when a second SPI device becomes a master and selects this device as if it were a slave. In cases where more than one device is concurrently configured as a master, there is a chance of contention between two pin drivers. For push-pull CMOS drivers, this contention can cause catastrophic latchup. When this type error is detected, the following actions are taken immediately:

1. The DDRD bits corresponding to the four SPI-related I/O pins are forced to 0 to disable all SPI output drivers.
2. The MSTR control bit is forced to 0 to reconfigure the SPI as a slave.
3. The SPE control bit is forced to 0 to disable the SPI system.
4. The MODF status flag is set, and an SPI interrupt is generated subject to masking by the SPIE bit and the I bit in the CCR.

After software has corrected the problems that led to the mode fault, MODF is cleared and the system is returned to normal operation. The MODF flag is automatically cleared by reading SPSR while MODF is set, followed by a write to the SPDR. The DDRD must also be restored before SPI transfers can resume.

In some cases, the mode-fault mechanism does not fully protect multiple-master systems from driver contention. For example, suppose a second device becomes a master but does not immediately drive the \overline{SS} pin of this master low. Perhaps a system fault selects two slave devices, and these slave devices try to simultaneously drive the MISO line. Both these cases result in output driver contentions, but neither causes a mode-fault error. Too many system configurations are possible to discuss them all, but some suggestions will help the system designer find practical ways to prevent problems.

Under normal conditions, a moderate resistance, (for instance, 1 to 10 k Ω) in series with an SPI pin does not adversely affect SPI transfer operations. If a driver contention occurs, this series resistance will protect the drivers against latchup. Another way to protect against latchup is to employ the DWOM option, which transforms the SPI output drivers into open-drain-type drivers. When the DWOM option is selected, it affects all six port D pins; therefore, pullup resistors are needed on the PD0 and PD1 pins if they are being used as outputs. Both of these suggestions affect the maximum usable data rate, depending on the loading capacitance on the SPI lines.

8.7.2 SPI Write-Collision Errors

A write collision occurs if the SPDR is written while a transfer is in progress. Since the SPDR is not double buffered in the transmit direction, writes to SPDR cause data to be written directly into the SPI shift register. Because this write corrupts any transfer in progress, a write-collision error is generated. The transfer continues undisturbed, and the write data that caused the error is not written to the shifter.

A write collision is normally a slave error because a slave has no control over when a master will initiate a transfer. A master knows when a transfer is in progress; thus, there is no excuse for a master to generate

a write-collision error, although the SPI logic can detect write collisions in a master as well as in a slave.

The details of what constitutes a transfer in progress depend on the SPI configuration. For a master, a transfer starts when data is written to SPDR and ends when SPIF is set. For a slave with CPHA equals 0, a transfer starts when \overline{SS} goes low and ends when \overline{SS} returns high. In this instance, SPIF is set at the middle of the eighth SCK cycle when data is transferred from the shifter to the parallel data register, but the transfer is still in progress until \overline{SS} goes high. For a slave with CPHA = 1, a transfer starts when the SCK line goes to its active level, which is the edge at the beginning of the first SCK cycle. The transfer ends in a slave in which CPHA = 1 when SPIF is set.

8.8 Beginning and Ending SPI Transfers

The two basic SPI transfer formats are described in [8.3 SPI Transfer Formats](#). A transfer includes the eight SCK cycles plus an initiation period at the beginning and ending period of the transfer. The details of the beginning and ending periods depend on the CPHA format selected and whether the SPI is configured as a master or a slave. The initiation delay period is also affected by the SPI clock rate selection when the SPI is configured as a master.

To understand how the beginning and ending details fit into a complete transfer operation, refer to the transfer format illustrated in [Figure 8-1](#) and [Figure 8-2](#).

8.8.1 Transfer Beginning Period (Initiation Delay)

All SPI transfers are started and controlled by a master SPI device. As a slave, the MC68HC11A8 considers a transfer to begin with the first SCK edge or the falling edge of \overline{SS} , depending on the CPHA format selected. When CPHA = 0, the falling edge of \overline{SS} indicates the beginning of a transfer. When CPHA = 1, the first edge on the SCK indicates the start of the transfer. In either CPHA format, a transfer can be aborted by taking the \overline{SS} line high, which causes the SPI slave logic and bit counters

to be reset. The SCK rate selected has no effect on slave operations since the clock from the master is controlling transfers.

When the SPI is configured as a master, transfers are started by a software write to the SPDR. CPHA has no effect on the delay to the start of the transfer, but it does affect the initial state of the SCK signal. When CPHA equals 0, the SCK signal remains inactive for the first half of the first SCK cycle. When CPHA equals 1, the first SCK cycle begins with an edge on the SCK line from its inactive to its active level. The SPI clock rate (selected by SPR1–SPR0) affects the delay from the write to SPDR and the start of the SPI transfer (see [Figure 8-7](#)). The internal SPI clock in the master is a free-running derivative of the internal MCU clock (PH2). SCK edges occur a small propagation delay after the rising edge of PH2. The rising edge of PH2 occurs at the middle of the E-clock low period. Since the SPI clock is free-running, there is an uncertainty about where the write to SPDR will occur relative to the slower SCK. This uncertainty causes the variation in the initiation delay shown in [Figure 8-7](#).

8.8.2 Transfer Ending Period

An SPI transfer is technically complete when the SPIF flag is set, but, depending on the configuration of the SPI system, there may be additional tasks. Because the SPI bit rate does not affect timing of the ending period, only the fastest rate is considered in discussions of the ending period.

When the SPI is configured as a master, SPIF is set at the end of the eighth SCK cycle. When CPHA equals 1, SCK is inactive for the last half of the eighth SCK cycle. [Figure 8-8](#) shows the transfer ending period for a master. The SCK waveforms in this figure show only the CPOL = 0 case, since clock polarity does not affect timing of the ending period.

When the SPI is operating as a slave, the ending period is different because the SCK line can be asynchronous to the MCU clocks of the slave and because the slave does not have access to as much information about SCK cycles as the master. For example, when CPHA = 1, where the last SCK edge occurs in the middle of the eighth SCK cycle, the slave has no way of knowing when the end of the last

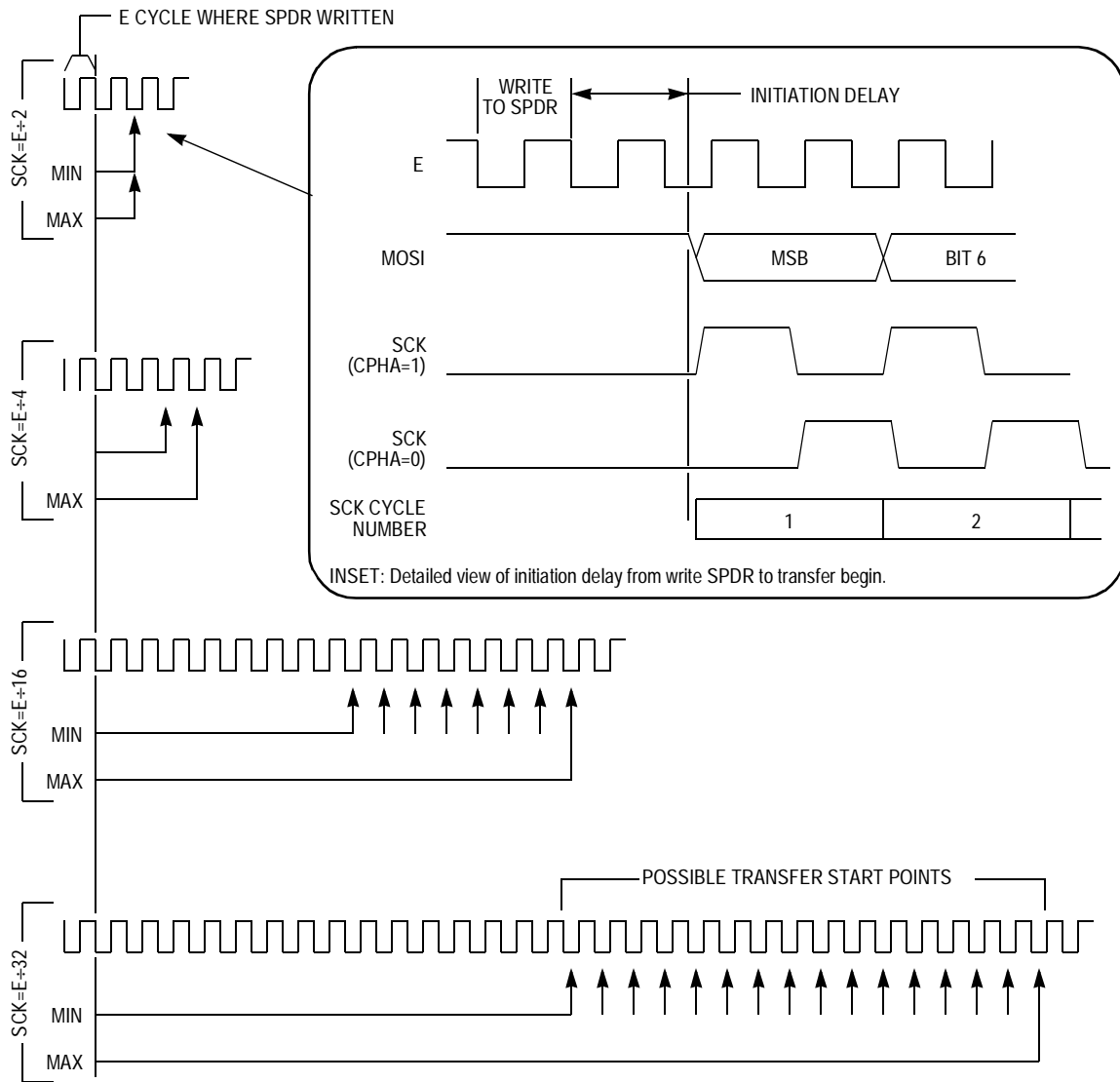


Figure 8-7. Delay from Write SPDR to Transfer Start (Master)

SCK cycle is. For these reasons, the slave considers the transfer complete after the last bit of serial data has been sampled, which corresponds to the middle of the eighth SCK cycle. A synchronization delay is required so the setting of the SPIF flag is properly positioned relative to the internal PH2 clock of the slave. [Figure 8-9](#) shows the ending period for a slave. The SCK waveforms in this figure show only the CPOL = 0 case, since clock polarity does not affect timing of the ending period.

Synchronous Serial Peripheral Interface

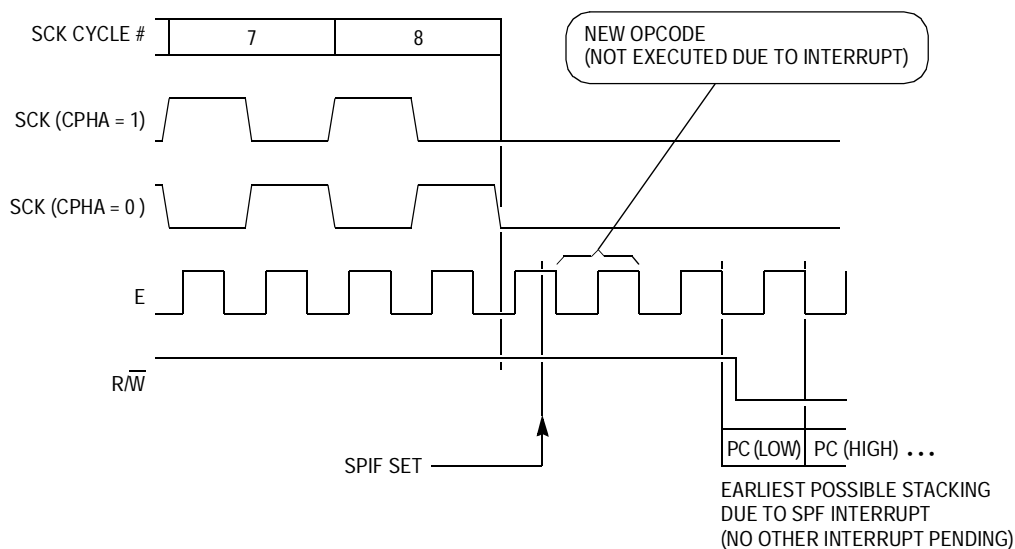


Figure 8-8. Transfer Ending for an SPI Master

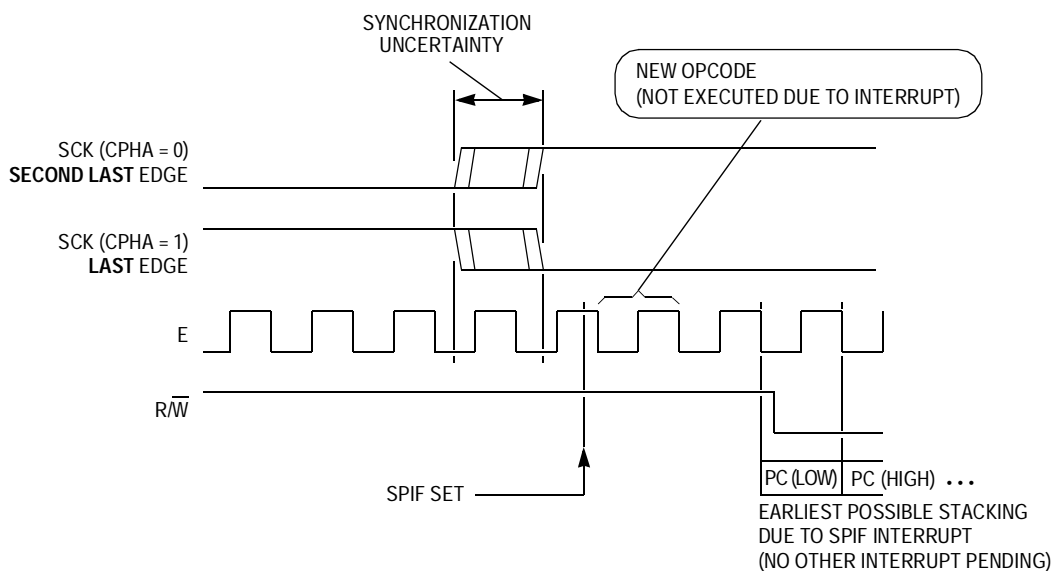


Figure 8-9. Transfer Ending for an SPI Slave

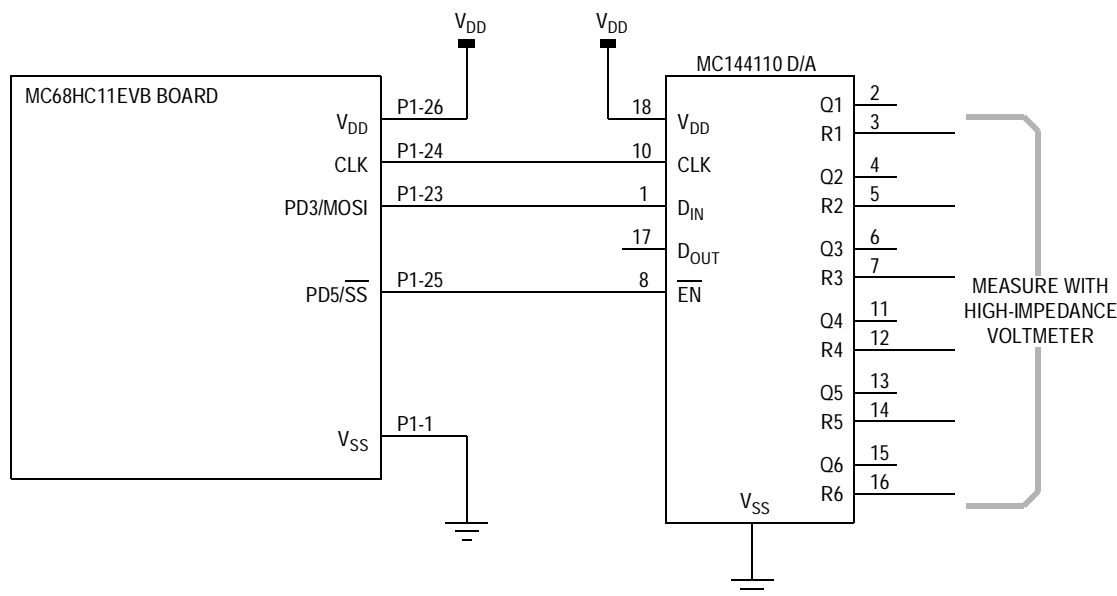
When $CPHA = 0$, there is a potential problem that can be avoided by proper software but is sometimes overlooked. The SPIF flag is set at the end of a transfer, but the slave is not permitted to write new data to the SPDR while the \overline{SS} line is still low. If the master device is busy, the \overline{SS} line to the slave can remain low longer than the slave expects. The proper way for the slave to manage this problem is to read the state of the port D bit 5 pin (\overline{SS}) before writing to SPDR. If this procedure is not followed (slave mode and $CPHA = 0$) and an attempt is made to write to SPDR before \overline{SS} goes high, a write collision will result.

8.9 Transfers to Peripherals with Odd Word Lengths

The SPI system in the MC68HC11A8 is oriented toward 8-bit transfers, but not all peripherals use eight bits. Some peripherals use multiples of eight bits, but a few use odd word lengths. When a peripheral uses an odd number of bits, it is usually possible to send it some multiple of eight bits, and the peripheral will ignore the extra bits. Serial peripherals are commonly designed for cascading. In these devices, only the most recent bits received will be important, and extra leading bits pass through the peripheral. In more unusual peripheral designs, the leading bits can alter the way the peripheral will interpret the remaining bits in a serial stream. In all cases, the requirements of each peripheral in the system must be considered.

The MC144110 6-channel, 6-bit, D/A converter peripheral is an example of a peripheral with an odd word length. This device requires six 6-bit words (a total of 36 bits) to update all six channels. The following examples show two possible approaches for managing this device to illustrate some of the possible trade-off decisions found in unusual peripherals. The hardware hookup, which is identical for both examples, is shown in [Figure 8-10](#). A software program includes the routines needed for both examples. [Figure 8-11](#) shows the register definitions and RAM variables used by both example programs.

Synchronous Serial Peripheral Interface



NOTE: Pin numbers on P1 of the MC68HC11EV8 board are the same as those for a 52-pin MC68HC11A8.

Figure 8-10. Hardware Hookup for Examples 8-1 and 8-2

```

* Register definitions for 68HC11 registers (used for Ex 8-1 & 8-2)
1008 PORTD EQU $1008 Port D data register
* " - , - ,SS* ,SCK ;MOSI,MISO,TxD ,RxD "
1009 DDRD EQU $1009 Port D data direction
1028 SPCR EQU $1028 SPI control register
* "SPIE,SPE ,DWOM,MSTR;CPOL,CPHA,SPR1,SPR0"
1029 SPSR EQU $1029 SPI status register
* "SPIF,WCOL, - ,MODF; - , - , - , - "
102a SPDR EQU $102A SPI data register; Read-Buffer; Write-Shifter

* RAM variables (DAX used by Ex 8-1 & 8-2, SPIx used only by 8-1)
0000 DA1 EQU $00 6-bit val for D/A ch 1 "-,-,15,14;13,12,11,10"
0001 DA2 EQU $01 6-bit val for D/A ch 2 "-,-,25,24;23,22,21,20"
0002 DA3 EQU $02 6-bit val for D/A ch 3 "-,-,35,34;33,32,31,30"
0003 DA4 EQU $03 6-bit val for D/A ch 4 "-,-,45,44;43,42,41,40"
0004 DA5 EQU $04 6-bit val for D/A ch 5 "-,-,55,54;53,52,51,50"
0005 DA6 EQU $05 6-bit val for D/A ch 6 "-,-,65,64;63,62,61,60"
* Upper 2 bits of DAX should be 0 but will be ignored.
0006 SPI1 EQU $06 SPI packed byte 1 "--,--,--,--;65,64,63,62"
0007 SPI2 EQU $07 SPI packed byte 2 "61,60,55,54;53,52,51,50"
0008 SPI3 EQU $08 SPI packed byte 3 "45,44,43,42;41,40,35,34"
0009 SPI4 EQU $09 SPI packed byte 4 "33,32,31,30;25,24,23,22"
000a SPI5 EQU $0A SPI packed byte 5 "21,20,15,14;13,12,11,10"
* NOTE: Upper 4 bits of SPI1 are unused extras but will be 0.

```

Figure 8-11. Register Definitions and RAM Variables for Examples 8-1 and 8-2

8.9.1 Example 8-1: On-Chip SPI Driving an MC144110 D/A

In this example, software must reformat (pack) the six 6-bit data values into five 8-bit words, which can then be transferred to the MC144110 D/A using the on-chip SPI. **Figure 8-12** is the software listing for the Example 8-1 routines.

In the Example 8-1 setup, the MCU is running at 2-MHz E-clock frequency. To meet the timing requirements of the MC144110 D/A, the slowest SPI clock rate ($E \div 32$) is used. **Figure 8-13** shows a detailed analysis of important timing parameters. These timing details are derived from knowledge of the cycle-by-cycle activity of software instructions and detailed SPI system timing. This timing analysis depicts the strong interdependence of software and hardware in MCU systems.

8.9.2 Example 8-2: Software SPI Driving an MC144110 D/A

Sometimes it is easier and/or more efficient to use software to emulate an SPI to allow even more flexibility than the on-chip SPI system allows (for example, odd word lengths). As Example 8-2 shows, it is not necessarily difficult to manipulate I/O pins to create an SPI-like interface. In this example, a software SPI allows 6-bit transfers so the six D/A values can be used without any packing or reformatting (needed in the previous example). **Figure 8-14** is the software listing for Example 8-2.

Figure 8-15 shows a detailed analysis of important timing parameters. These timing details are derived from knowledge of the cycle-by-cycle activity of software instructions. This timing analysis illustrates the strong interdependence of software and hardware in MCU systems.

Synchronous Serial Peripheral Interface

```

*****
* Example 8-1
*
* This example program uses the on-chip hardware SPI to drive an
* MC144110 six channel D to A converter peripheral.
*
* To try Ex 8-1, connect MC144110 to Port D pins on EVB, load
* program into EVB RAM, manually enter data for DA1 to DA6 and
* execute a GO to $C000.
*****

c000                                ORG    $C000    Start of user's RAM in EVB
c000 8e cf ff      [3] INIT1  LDS    #$CFFF    Top of C page RAM
c003 86 2f         [2]        LDAA   #$2F      -,-,1,0;1,1,1,1
*                                     SS*-Hi, SCK-Lo, MOSI-Hi

c005 b7 10 08     [4]        STAA   PORTD    So SS stays high when DDRD5 set
c008 86 38         [2]        LDAA   #$38      -,-,1,1;1,0,0,0
c00a b7 10 09     [4]        STAA   DDRD      SS*, SCK, MOSI - Outs
*                                     MISO, TxD, RxD - Ins
* DDRD5=1 so SS* pin is a general purpose output

c00d 86 57         [2]        LDAA   #$57
c0f  b7 10 28     [4]        STAA   SPCR      SPI on as Master, CPHA=1, CPOL=0
*                                     E/32 Clk rate

***
* Following two instructions call main routine for Ex 8-1
***

c012 8d 38         [6]        BSR    UPDAT1    Xfer 5 8-bit words to MC144110
c00f b7 10 28     [3]        JMP    $E000    Restart BUFFALO
***

c04c 3c           [4] UPDAT1 PSHX                Save registers X and A
c04d 18 3c        [5]        PSHY
c04f 36           [3]        PSHA
c050 8d c5        [6]        BSR    REFORM    Reformat data so SPI can xfer it
c052 ce 00 06     [3]        LDX    #SPI1     Point at 1st byte to send via SPI
c055 18 ce 10 00 [4]        LDY    #$1000    Point at on-chip registers
c059 18 1d 08 20 [8]        BCLR   PORTD,Y %00100000 Drive SS* low
c05d a6 00        [4] TFRLP1 LDAA   0,X       Get a byte to transfer via SPI
c05f b7 10 2a     [4]        STAA   SPDR      Write SPI data reg to start xfer
c062 b6 10 29     [4] WAIT1  LDAA   SPSR      Loop to wait for SPIF
c065 2a fb        [3]        BPL    WAIT1     SPIF is in MSB of SPSR
*                                     (when SPIF set, SPSR neg)

c067 08           [3]        INX                Point to next SPI byte
c068 8c 00 0b     [4]        CPX    #SPI5+1    Done yet ?
c06b 26 f0        [3]        BNE    TFRLP1    If not, tfr another byte
c06d 18 1c 08 20 [8]        BSET   PORTD,Y %00100000 Drive SS* high
c071 32           [4]        PULA                When done, restore regs X, Y & A
c072 18 38        [6]        PULY
c074 38           [5]        PULX
c075 39           [5]        RTS                ** Return **

```

Figure 8-12. Example 8-1 Software Listing (Sheet 1 of 2)


```

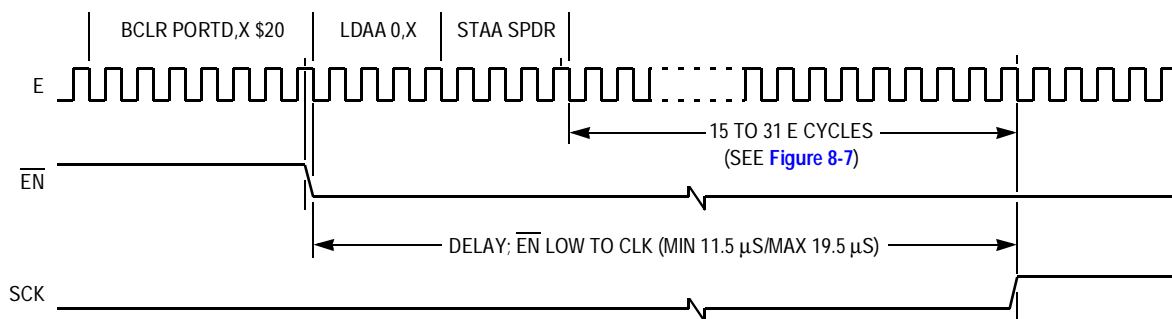
*****
* REFORM - This subroutine reformats six 6 bit values into five 8 bit *
*          values so they can be sent by the SPI system.           *
*                                                                 *
* The MC144110 needs 36 bits of information which is not a multiple *
* of 8 bits; however, we can send five 8 bit words (40 bits) and the *
* MC144110 will use only the last 36 bits.                         *
*                                                                 *
*          Original format                Change to this format    *
* DA1 "-,-,15,14;13,12,11,10"   SPI1 "--,--,--,--;65,64,63,62"  *
* DA2 "-,-,25,24;23,22,21,20"   SPI2 "61,60,55,54;53,52,51,50"  *
* DA3 "-,-,35,34;33,32,31,30"   SPI3 "45,44,43,42;41,40,35,34"  *
* DA4 "-,-,45,44;43,42,41,40"   SPI4 "33,32,31,30;25,24,23,22"  *
* DA5 "-,-,55,54;53,52,51,50"   SPI5 "21,20,15,14;13,12,11,10"  *
* DA6 "-,-,65,64;63,62,61,60"   *
*****

c017 37          [3] REFORM PSHB          Save registers B and A
c018 36          [3]          PSHA
c019 96 00       [3]          LDAA  DA1    A="--,--,15,14;13,12,11,10"
c01b 48          [2]          ASLA          A="--,15,14,13;12,11,10, 0"
c01c 48          [2]          ASLA          A="15,14,13,12;11,10, 0, 0"
c01d d6 01       [3]          LDAB  DA2    B="--,--,25,24;23,22,21,20"
c01f c4 3f       [2]          ANDB  #$3F    B=" 0, 0,25,24;23,22,21,20"
c021 54          [2]          LSRB          B=" 0, 0, 0,25;24,23,22,21" C="20
c022 46          [2]          RORA          A="20,15,14,13;12,11,10, 0"
c023 54          [2]          LSRB          B=" 0, 0, 0, 0;25,24,23,22" C="21
c024 46          [2]          RORA          A="21,20,15,14;13,12,11,10"
c025 97 0a       [3]          STAA  SPI5    SPI5 is done
c027 d7 09       [3]          STAB  SPI4    SPI4 intermediate value
c029 96 03       [3]          LDAA  DA4    A="--,--,45,44;43,42,41,40"
c02b d6 02       [3]          LDAB  DA3    B="--,--,35,34;33,32,31,30"
c02d 58          [2]          ASLB          B="--,35,34,33;32,31,30, 0"
c02e 58          [2]          ASLB          B="35,34,33,32;31,30, 0, 0"
c02f 58          [2]          ASLB          B="34,33,32,31;30, 0, 0, 0" C="35
c030 49          [2]          ROLA          A="--,45,44,43;42,41,40,35"
c031 58          [2]          ASLB          B="33,32,31,30; 0, 0, 0, 0" C="34
c032 49          [2]          ROLA          A="45,44,43,42;41,40,35,34"
c033 da 09       [3]          ORAB  SPI4    B="33,32,31,30;25,24,23,22"
c035 d7 09       [3]          STAB  SPI4    SPI4 now complete
c037 97 08       [3]          STAA  SPI3    SPI3 done
c039 96 04       [3]          LDAA  DA5    A="--,--,55,54;53,52,51,50"
c03b 48          [2]          ASLA          A="--,55,54,53;52,51,50, 0"
c03c 48          [2]          ASLA          A="55,54,53,52;51,50, 0, 0"
c03d d6 05       [3]          LDAB  DA6    B="--,--,65,64;63,62,61,60"
c03f c4 3f       [2]          ANDB  #$3F    B=" 0, 0,65,64;63,62,61,60"
c041 54          [2]          LSRB          B=" 0, 0, 0,65;64,63,62,61" C="60
c042 46          [2]          RORA          A="60,55,54,53;52,51,50, 0"
c043 54          [2]          LSRB          B=" 0, 0, 0, 0;65,64,63,62" C="61
c044 46          [2]          RORA          A="61,60,55,54;53,52,51,50"
c045 97 07       [3]          STAA  SPI2    SPI2 done
c047 d7 06       [3]          STAB  SPI1    SPI1 done
c049 32          [4]          PULA          Restore registers A and B
c04a 33          [4]          PULB
c04b 39          [5]          RTS          ** Return **

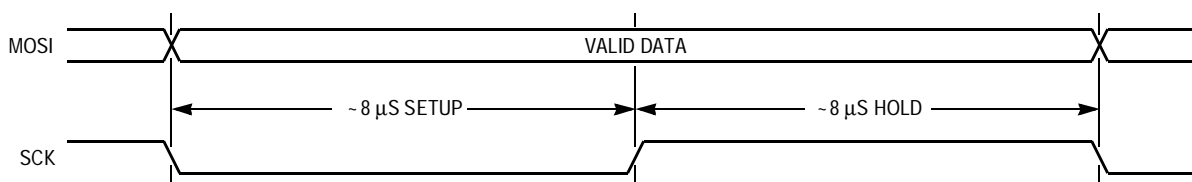
```

Figure 8-12. Example 8-1 Software Listing (Sheet 2 of 2)

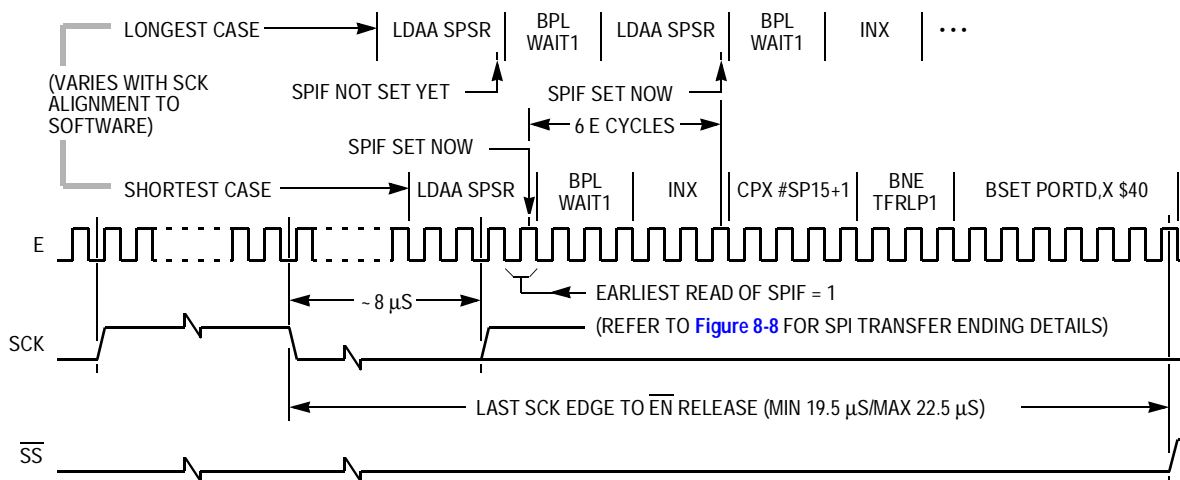
Synchronous Serial Peripheral Interface



a) EN Low to Clock Start Delay (MC144110 Needs 5 μs)



b) Data Valid vs. SCK Timing (MC144110 Needs 1 μs Setup/5 μs Hold)



c) Last SCK Edge to EN Release Timing (MC144110 Needs 5 μs)

Figure 8-13. Timing Analysis for Example 8-1

```

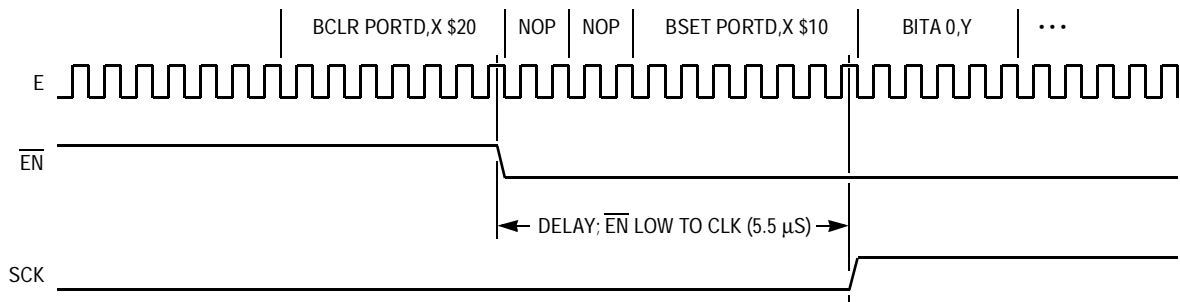
*****
* Example 8-2
*
* This example program uses a software equivalent of the SPI to
* drive an MC144110 six channel D to A converter peripheral. The
* physical hookup is the same as that of the previous example to make
* comparisons easier.
*
* To try Ex 8-2, connect MC144110 to Port D pins on EVB, load
* program into EVB RAM, manually enter data for DA1 to DA6 and
* execute a GO to $C100.
*****

c100                                ORG    $C100
c100 8e cf ff      [3]  INIT2  LDS    #$CFFF  Top of C page RAM
c103 86 2f        [2]          LDAA   #$2F    --,1,0;1,1,1,1
c105 b7 10 08     [4]          STAA  PORTD   PD5/SS*-Lo,PD4/SCK-Lo,PD3/MOSI-Hi
c108 86 38        [2]          LDAA   #$38    --,1,1;1,0,0,0
c10a b7 10 09     [4]          STAA  DDRD    PD5, PD4, PD3 =Outs; Others =Ins
c10d 86 04        [2]          LDAA   #$04
*
c10f b7 10 28     [4]          STAA  SPCR    Make sure SPI off
***
* Following two instructions call main routine for Ex 8-2
***
c112 8d 03        [6]          BSR    UPDAT2  Xfer six 6 bit words to MC144110
c114 7e e0 00     [3]          JMP    $E000  Restart BUFFALO
***
c117 3c          [4]  UPDAT2  PSHX                Save X, Y and A
c118 18 3c       [5]          PSHY
c11a 36          [3]          PSHA
c11b 18 ce 00 05 [4]          LDY    #DA6    Point at 1st D/A value to xfer.
c11f ce 10 00    [3]          LDX    #$1000  Point at register area.
c122 86 20       [2]  TFRLP2 LDAA   #$20    1st pntr to MSB of 6 bit data val
c124 1d 08 20    [7]          BCLR   PORTD,X %00100000 PD5(SS*) Falling edge
c127 01          [2]          NOP                Need more dly for MC144110 specs.
c128 01          [2]          NOP
c129 1c 08 10    [7]  NXTBIT  BSET   PORTD,X %00010000 PD4(SCK) Rising edge
c12c 18 a5 00    [5]          BITA   0,Y    Test sense of bit to be sent
c12f 27 05       [3]          BEQ    ZBIT    If zero skip around
c131 1c 08 08    [7]          BSET   PORTD,X %00001000 PD3(MOSI) Hi bit
c134 20 05       [3]          BRA    ENDBIT
c131 1d 08 08    [7]  ZBIT    BCLR   PORTD,X %00001000 PD3(MOSI) Lo bit
c139 20 00       [3]          BRA    ENDBIT  Want Lo time to match Hi time
c13b 1d 08 10    [7]  ENDBIT  BCLR   PORTD,X %00010000 PD4(SCK) Falling edge
c13e 44          [2]          LSRA                Pointer to nxt lower bit position
c13f 26 e8       [3]          BNE    NXTBIT  Done if pointer shifted past LSB
c141 18 09       [4]          DEY                Point at next value to send
c143 18 8c ff ff [5]          CPY    #DA1-1  Done yet ?
c147 26 db       [3]          BNE    TFRLP2  If not go back to top of loop
c149 1c 08 20    [7]          BSET   PORTD,X %00100000 PD5(SS*) Rising edge
c14c 32          [4]          PULA                Restore X, Y and A
c14d 18 38       [6]          PULY
c14f 38          [5]          PULX
c150 39          [5]          RTS                ** RETURN **

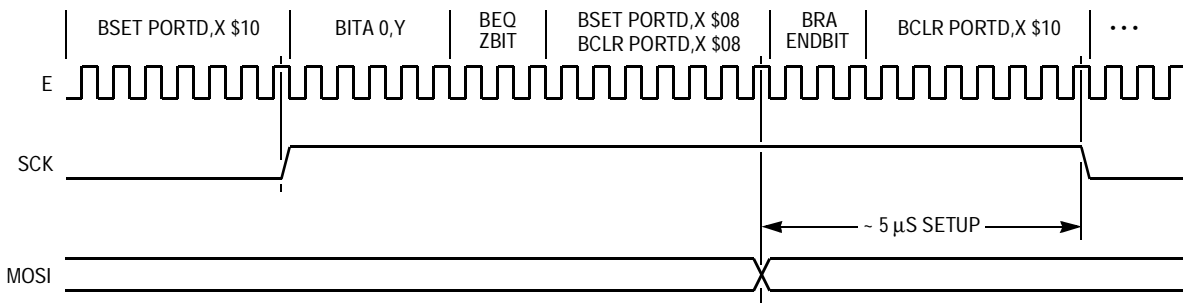
```

Figure 8-14. Example 8-2 Software Listing

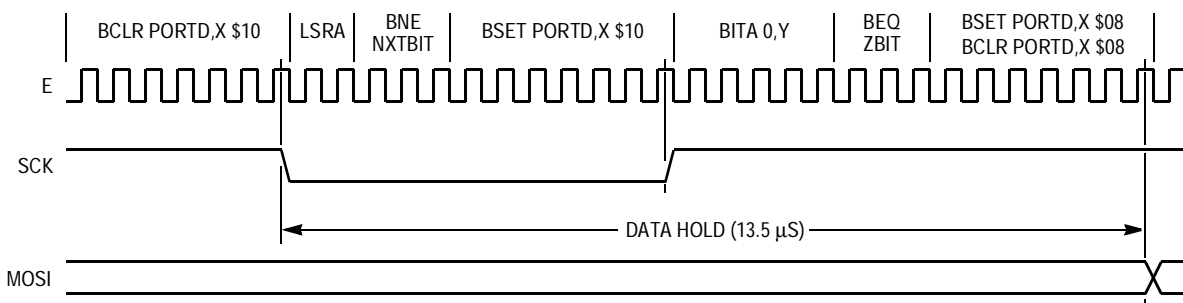
Synchronous Serial Peripheral Interface



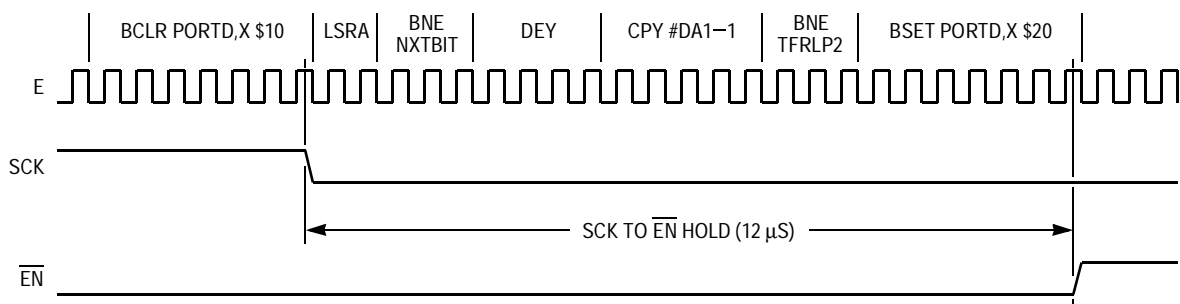
(a) \overline{EN} Low to SCK Start Delay (MC144110 Needs 5 μs)



(b) Data to SCK Setup (MC144110 Needs 1 μs)



(c) Data Hold vs. SCK (MC144110 Needs 5 μs)



(d) SCK Low to \overline{EN} Hold (MC144110 Needs 5 μs)

Figure 8-15. Timing Analysis for Example 8-2

Section 9. Asynchronous Serial Communications Interface

9.1 Contents

9.2	Introduction	318
9.3	General Description	318
9.3.1	Transmitter Block Diagram	319
9.3.2	Receiver Block Diagram	321
9.4	SCI Registers and Control Bits	323
9.4.1	Port D Related Registers and Control Bits (PORTD, DDRD, and SPCR)	325
9.4.2	Baud-Rate Control Register (BAUD)	327
9.4.3	SCI Control Register 1 (SCCR1)	329
9.4.4	SCI Control Register 2 (SCCR2)	331
9.4.5	SCI Status Register (SCSR)	333
9.4.6	SCI Data Register (SCDR)	337
9.5	SCI Transmitter	338
9.5.1	8- and 9-Bit Data Modes	339
9.5.2	Interrupts and Status Flags	340
9.5.3	Send Break	341
9.5.4	Queued Idle Character	341
9.5.5	Disabling the SCI Transmitter	343
9.5.6	TxD Pin Buffer Logic	344
9.6	SCI Receiver	346
9.6.1	Data Sampling Technique	346
9.6.2	Worst-Case Baud-Rate Mismatch	353
9.6.3	Double-Buffered Operation	355
9.6.4	Receive Status Flags and Interrupts	355
9.6.5	Receiver Wakeup Operation	356
9.6.5.1	Idle-Line Wakeup	356
9.6.5.2	Address-Mark Wakeup	357
9.7	Baud-Rate Generator	357
9.7.1	Timing Chain Block Diagram	358
9.7.2	Baud Rates versus Crystal Frequency	358

9.8	SCI Timing Details	359
9.8.1	Operation as Transmitter Is Enabled	361
9.8.2	TDRE and Transfers from SCDR to Transmit Shift Register	361
9.8.3	TC versus Character Completion	363
9.8.4	RDRF Flag Setting versus End of a Received Character	363

9.2 Introduction

This section describes the universal asynchronous receiver transmitter (UART) type serial communications interface (SCI) system, which is one of two independent serial input/output (I/O) subsystems in the M68HC11 Family. The other serial I/O subsystem (called SPI) provides for high-speed synchronous serial communication to peripherals or other microcontroller units (MCU), usually located on the same printed circuit board as the M68HC11. This SCI system can be used to connect a CRT terminal or personal computer to the MCU, or several widely distributed MCUs can use their SCI subsystems to form a serial communication network.

9.3 General Description

The SCI is a full-duplex UART-type asynchronous system, using standard non-return-to-zero (NRZ) format (one start bit, eight or nine data bits, and a stop bit). An on-chip baud rate generator derives standard baud-rate frequencies from the MCU oscillator. Both the transmitter and the receiver are double buffered; thus, back-to-back characters can be handled easily, even if the central processor unit (CPU) is delayed in responding to the completion of an individual character. The SCI transmitter and receiver are functionally independent but use the same data format and baud rate. In this reference manual, baud rate and bit rate are used synonymously. The user will usually have to provide external level-shifter buffers to translate the RS232 or RS422 levels (typically ± 12 V) to the 0- to 5-V logic levels used by the MCU.

This SCI receiver includes a number of advanced features to ensure high-reliability data reception and to assist development of efficient communications networks. The M68HC11 resynchronizes the receiver

bit clock on all 1-to-0 transitions in the bit stream rather than just at the beginning of the start bit time; therefore, differences in baud rate between the sending device and the MCU are not as likely to cause reception errors. Three logic-level samples are taken near the middle of each bit time, and majority logic decides the sense for the bit. Even if noise causes one of these samples to be incorrect, the bit will still be received correctly. The receiver also has the ability to enter a temporary standby mode (called receiver wakeup) to ignore messages intended for a different receiver. Logic automatically wakes up the receiver in time to see the first character of the next message. This wakeup feature greatly reduces CPU overhead in multi-drop SCI networks.

The SCI transmitter can produce queued characters of idle (whole characters of all logic 1) and break (whole characters of all logic 0). In addition to the usual transmit data register empty (TDRE) status flag, this SCI also provides a transmit complete (TC) indication that can be used in applications with a modem.

9.3.1 Transmitter Block Diagram

Figure 9-1 is a block diagram of the transmitter section of the SCI subsystem. The description given in the following paragraphs is an overview; a more detailed discussion of the SCI transmitter is given in **9.5 SCI Transmitter**.

The heart of the transmitter is the transmit serial shift register near the top of the figure. Usually, this shift register gets its data from the write-only transmit buffer. Data gets into the transmit buffer when software writes to the SCI data register (SCDR). Whenever data is transferred into the shifter from the transmit buffer, a 0 is loaded into the least significant bit (LSB) of the shifter to act as a start bit, and a logic 1 is loaded into the last bit position to act as a stop bit. In the case of a preamble, the shifter is jammed to all 1s, including the bit position usually holding the logic 0 start bit. A preamble is jammed each time the transmit enable bit is written from 0 to 1. In the case of a send break command, the shifter is jammed to all 0s, including the last bit position usually holding the logic 1 stop bit.

Asynchronous Serial Communications Interface

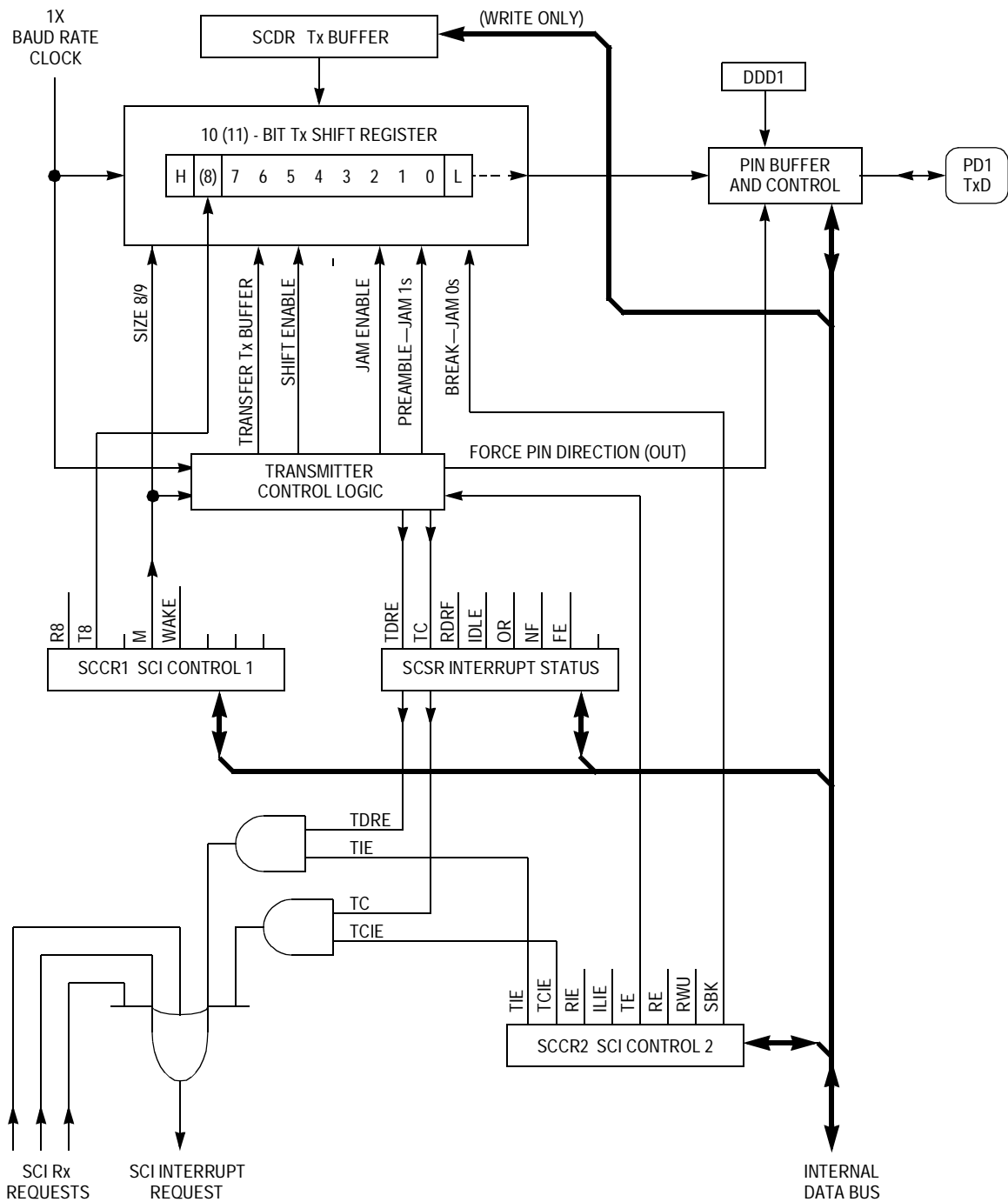


Figure 9-1. SCI Transmitter Block Diagram

enable bit is written from 0 to 1. In the case of a send break command, the shifter is jammed to all 0s, including the last bit position usually holding the logic 1 stop bit.

The T8 bit in SCI control register 1 (SCCR1) acts like an extra high-order bit (ninth bit) of the transmit buffer register. This ninth bit is only used if the M bit in SCCR1 is 1 to select the 9-bit data character format. The M bit also controls the length of idle and break characters. The R8 and WAKE bits in SCCR1 are associated with the SCI receiver and are shown in [Figure 9-1](#) only for reference.

The pin buffer logic is quite flexible and useful in some SCI systems. This block diagram is not detailed enough to show all of the functions of this block. [9.5.6 TxD Pin Buffer Logic](#) describes this logic in greater detail, and a complete MOS transistor-level schematic and explanation of this logic is included in [7.5.6.2 PD1 \(TxD\) Pin Logic](#).

The status flag and interrupt generation logic is shown in [Figure 9-1](#). The TDRE and TC status flags in the SCI status register (SCSR) are automatically set by the transmitter logic. These two bits can be read at any time by software. The transmit interrupt enable (TIE) and transmit complete interrupt enable (TCIE) interrupt control bits enable the TDRE and TC bits, respectively, to generate SCI interrupt requests.

9.3.2 Receiver Block Diagram

[Figure 9-2](#) is a block diagram of the receiver section of the SCI subsystem. The description given in the following paragraphs is an overview; a more detailed discussion of the SCI receiver is given in [9.6 SCI Receiver](#).

SCI receive data comes in the RxD pin, is buffered, and drives the data recovery block. The data recovery block is actually a high-speed shifter operating at 16 times the bit rate; whereas, the main-receive serial shifter operates at one times the bit rate. This higher speed sample rate allows the start-bit leading edge to be located more accurately than a 1× clock would allow. The high-speed clock also allows several samples to be taken within a bit time so logic can make an intelligent decision about the logic sense of a bit (even in the presence of noise). The data recovery block provides the bit level to the main receiver shift register and also provides a noise flag status indication.

Asynchronous Serial Communications Interface

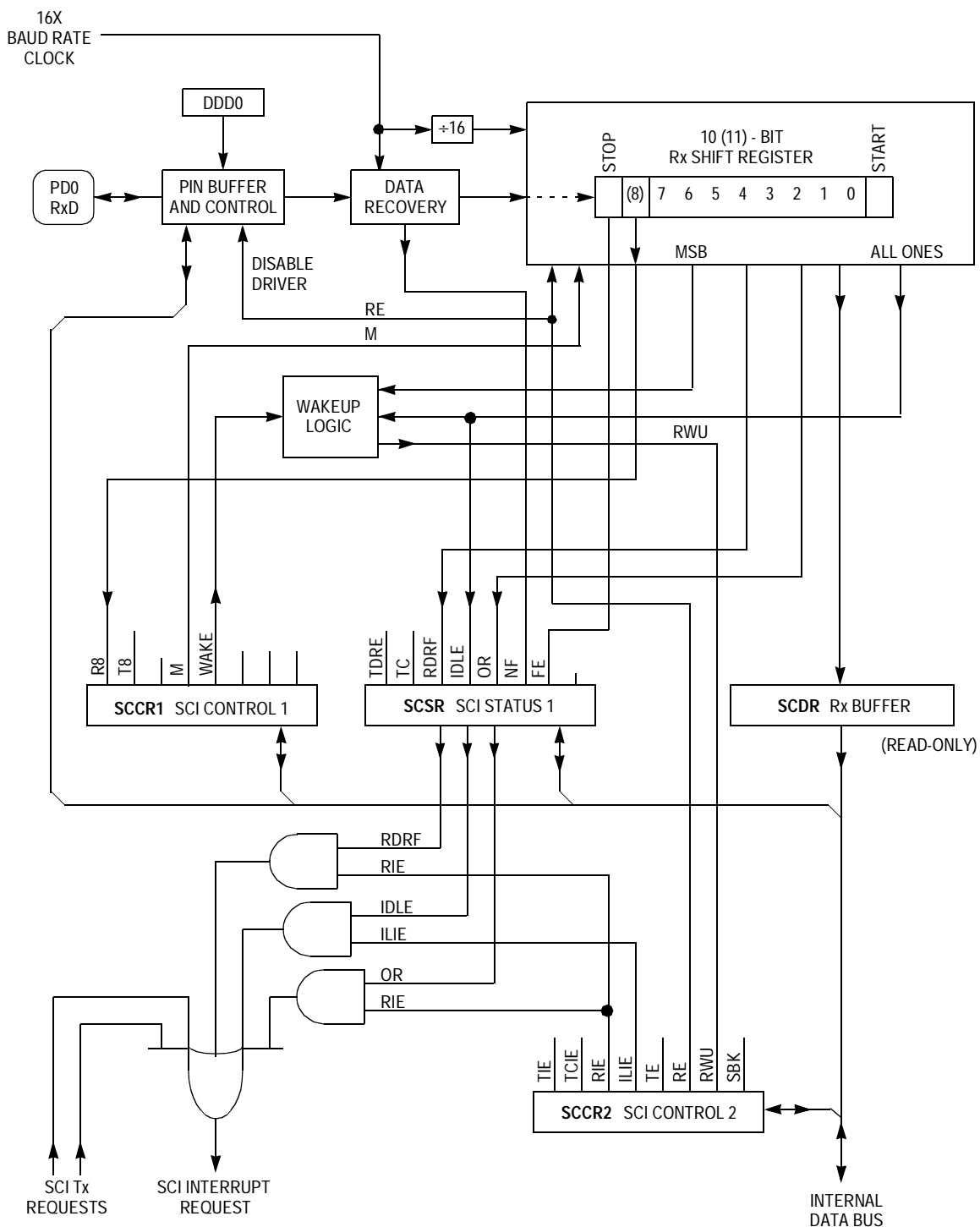


Figure 9-2. SCI Receiver Block Diagram

This block diagram is not detailed enough to show all of the subtleties of the RxD pin buffer logic; a complete schematic and explanation of this pin logic can be found in [7.5.6.1 PD0 \(RxD\) Pin Logic](#).

The heart of the receiver is the receive serial shift register shown in [Figure 9-2](#). This shifter is enabled by the receive enable (RE) bit from the SCI control register 2 (SCCR2). The M bit from the SCCR1 register determines whether the shifter will be 10 or 11 bits long. After detecting the stop bit of a character, the received data is transferred from the shifter to the SCDR, and the receive data register full (RDRF) status flag is set. When a character is ready to be transferred to the receive buffer but the previous character has not yet been read, an overrun condition occurs. In the overrun condition, data is not transferred and the overrun (OR) status flag is set to indicate the error.

The wakeup block uses the WAKE control bit from SCCR1 to decide whether to use the most significant bit (MSB) signal (address mark) or the ALL 1s signal (idle line) to wake up the receiver. When the selected condition is detected, the wakeup logic clears the receiver wake-up (RWU) bit in SCCR2, which wakes up the receiver.

There are three receiver-related interrupt sources in the SCI. These flags can be polled by software or optionally cause an SCI interrupt request. The receive interrupt enable (RIE) control bit enables the RDRF and the OR status flags to generate hardware interrupt requests. The idle line interrupt enable (ILIE) control bit allows the IDLE status flag to generate SCI interrupt requests.

9.4 SCI Registers and Control Bits

Primarily, the SCI system is configured and controlled by five registers (BAUD, SCCR1, SCCR2, SCSR, and SCDR). In addition, the port D register, data direction register for port D (DDRD), and the port D wired-OR mode bit in the SPI control register (SPCR) are secondarily related to the SCI system. First, the main function of each of these registers is presented, and then detailed descriptions of each bit are presented.

When the SCI receiver and/or transmitter is enabled, the SCI logic takes control of the pin buffers for the associated port D pin(s). Data directions for the RxD and TxD pins are overridden to input and output, respectively. Even though it does not control the direction of port D pins while the SCI has control, the DDRD can be important to a user because it influences what will be read when port D is read by software. The DDRD also determines how the pin will behave when the SCI gives up control. The port D register is important to an SCI user because the value written to port D can determine what will be driven out of port D when the SCI gives up control.

The port D wired-OR mode bit in the SPCR modifies the driver functions of port D pins, even if they are being used for SCI or SPI functions.

The baud-rate control register (BAUD) is used to select the baud rate for SCI operations and contains two control bits for factory testing.

SCCR1 includes three bits associated with the optional 9-bit data format. The WAKE bit is used to select one of two methods of receiver wake up.

SCCR2 contains the main SCI controls. The upper four bits are local interrupt enable controls, which determine whether SCI status flags will be polled or will generate hardware interrupt requests. The TE and RE bits are the respective transmitter and receiver subsystem enable controls. The RWU bit allows software to put the receiver to sleep and hardware to automatically wake it up by clearing this bit. The send break SBK bit allows software to generate break characters on the TxD line.

The SCSR contains two transmitter status flags and five receiver-related status flags. The transmitter generates flags for TDRE and TC. The receiver generates flags for RDRF, OR, idle-line detect (IDLE), a noise flag (NF), and a framing error (FE) indication.

The SCDR is actually two separate registers. TDR is a write-only transmit data buffer register, and RDR is a read-only receive data buffer register. When software reads SCDR, it is accessing RDR; when software writes to SCDR, it is accessing TDR.

9.4.1 Port D Related Registers and Control Bits (PORTD, DDRD, and SPCR)

The following registers are the port D related registers. Because the SCI system uses the two LSBs of this port, only the interactions between general-purpose I/O and the use of these pins by the SCI is discussed. The actual MOS logic for port D pins is shown and discussed in [7.5.6 Port D](#).

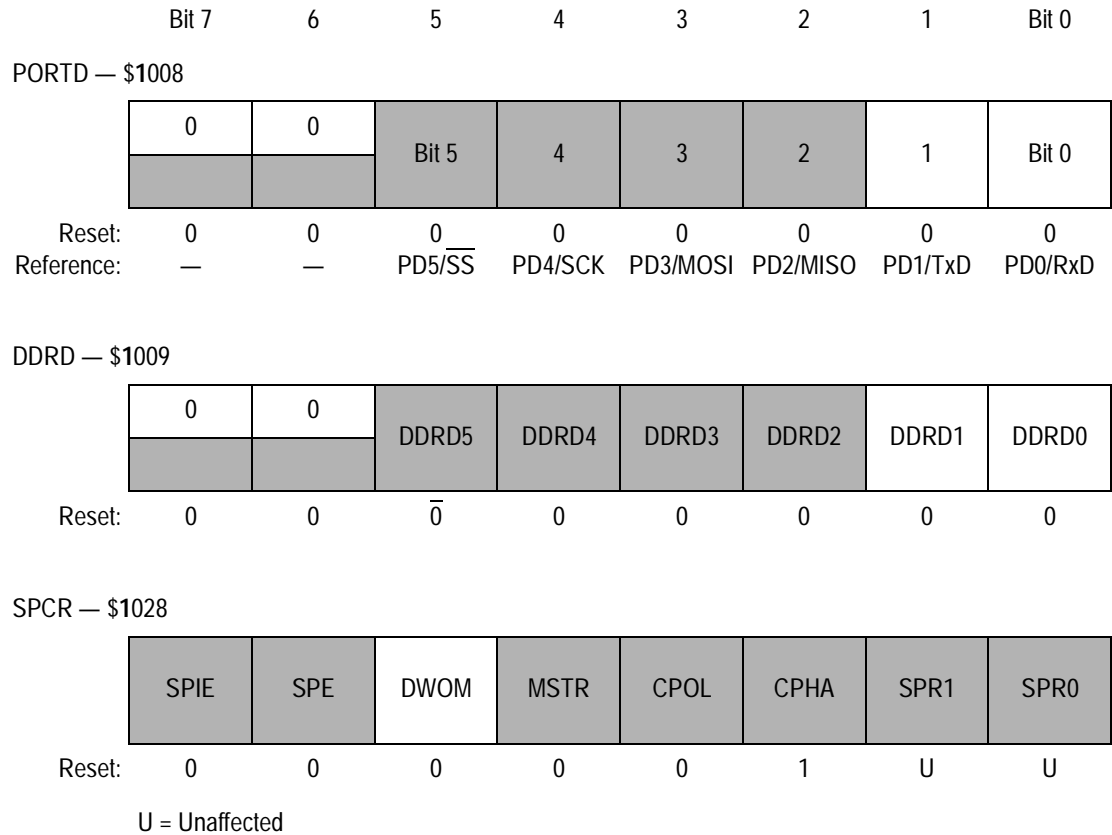


Figure 9-3. Port D Related Registers

Each internal peripheral subsystem interacts with port I/O pins in different ways. In some cases, such as the SCI system, the internal subsystem overrides other pin controls to actively take charge of the pin. In other cases, such as the SPI and pulse accumulator, the pin controls (data direction and others) still influence the configuration of the pin logic. The user must never assume that all pins in a port are affected in the same way by data direction controls.

When the SCI receiver is enabled (by the RE bit in the SCCR2 register), bit 0 of DDRD is overridden, and the output buffer is disabled. Writes to port D bit 0 while the SCI has control of the pin do not alter the logic state at the pin; however, any value written is remembered in an internal latch. If the SCI receiver later relinquishes control of the pin, the logic value in this latch will drive the PD0/RxD pin. Although the DDRD0 bit does not affect the pin while the SCI receiver is enabled, it still affects what is returned when port D is read. If DDRD0 is 0, the pin is read. If DDRD0 is 1 (suggesting the pin should be an output), the value in the internal port D bit 0 latch is returned.

When the SCI transmitter is active, bit 1 of DDRD is overridden, and the corresponding output buffer is forced on and is driven by SCI logic (as opposed to port output logic). The transmitter is active (controlling the PD1/TxD pin) whenever the transmitter enable bit (TE in the SCCR2 register) is 1 or an unfinished character is being transmitted after the TE bit is disabled. Writes to bit 1 of port D while the SCI has control of the pin do not alter the logic state at the pin; however, any value written is remembered in an internal latch. If the SCI transmitter later relinquishes control of the pin, the logic value in this latch will drive the PD1/TxD pin. Although the DDRD1 bit does not affect the pin while the SCI transmitter is active, it still affects what is returned when port D is read. If DDRD1 is 0, the pin is read (reflects what the SCI transmitter is currently driving out of the pin). If DDRD1 is 1 (suggesting the pin should be an output), the value in the internal port D bit 1 latch is returned (reflects what the pin would revert to if the SCI transmitter relinquishes control of the pin).

All six bits of port D are affected by the port D wired-OR mode control bit (DWOM in the SPCR). Whenever DWOM is 1, the high-side driver (P-channel device) for all port D pins is disabled. This disabling makes port D pins behave somewhat like open-collector outputs; thus, an external pullup resistor is needed for any port D pin being used as an output (general-purpose or peripheral subsystem outputs). The DWOM bit does not affect the use of port D pins as inputs.

9.4.2 Baud-Rate Control Register (BAUD)

Figure 9-4 and the following paragraphs describe the baud-rate control register (BAUD), which is used to set the bit rate for the SCI system. Normally, this register is written once during initialization to set the baud rate for SCI communications. Both the receiver and the transmitter use the same baud rate, which is derived from the MCU bus rate clock. A two-stage divider is used to develop customary baud rates from normal MCU crystal frequencies; therefore, it is not necessary to use special baud-rate crystal frequencies. **Table 9-1** and **Table 9-2** should be adequate for most users, but a more comprehensive tabulation of baud rates is provided in **Table 9-3** to help users with unusual requirements.

Address: \$102B

	Bit 7	6	5	4	3	2	1	Bit 0
Read:	0	0	SCP1	SCP0	0	SCR2	SCR1	SCR0
Write:	TCLR				RCKB			
Reset:	0	0	0	0	0	U	U	U

U = Unaffected

Figure 9-4. Baud Rate Control Register (BAUD)

TCLR — Clear Baud-Rate Timing Chain Bit (Test Modes Only)

This bit is disabled and remains low in any mode other than test or bootstrap modes. Reset clears this bit. While in test or bootstrap modes, writing a 1 to this bit causes the baud-rate counter chains to be reset. Because the 1 state of this bit is transitory, reads always return a logic 0. This control bit is intended only for factory testing of the MCU.

SCP1–SCP0 — SCI Baud-Rate Prescale Select Bits

These two bits select a prescale factor for the SCI baud-rate generator. The output frequency of this prescaler determines the highest available baud rate in the system. The actual 16× baud rate will be a binary submultiple (÷1, ÷2, ÷4, ... ÷128) of this prescaler output as selected by the SCR2–SCR0 bits. **Table 9-1** shows the highest baud rates that result for various combinations of crystal frequency and prescaler select control bit values. The actual

frequency coming out of this prescaler stage is 16 times the baud rates listed. Since not all of these entries are of practical use, the ones of interest are highlighted in bold. This prescaler is set to its fastest rate by default out of reset and may be changed at any time. Of course, it makes no sense to change the baud rate while any SCI transfer is in progress.

Table 9-1. Baud Rate Prescale Selects

SCP1	SCP0	Division Factor	Crystal Frequency				
			2 ²³ Hz	8 MHz	4.9152 MHz	4 MHz	3.6864 MHz
			Highest Baud Rate				
0	0	1	131.072 k	125.000 k	76.80 k	62.50 k	57.60 k
0	1	3	43.691 k	41.667 k	25.60 k	20.833 k	19.20 k
1	0	4	32.768 k	31.250 k	19.20 k	15.625 k	14.40 k
1	1	13	10.082 k	9600	5.908 k	4800	4431 k
			2.1 MHz	2 MHz	1.2288 MHz	1 MHz	921.6 kHz
Bus frequency (E clock)							

RCKB — SCI Baud-Rate Clock Test Bit (Test Modes Only)

This bit is disabled and remains low in any mode other than test or bootstrap modes. Reset clears this bit. While in test or bootstrap modes, this bit may be written but not read (reads always return a logic 0). Writing a 1 to this bit enables a baud-rate counter test mode where the exclusive-OR of the receiver clock (16× the baud rate) and the transmit clock (16× the baud rate) is driven out the PD1/TxD pin. This control bit is intended only for factory testing of the MCU.

SCR2–SCR0 — SCI Baud-Rate Select Bits

These three bits are used in conjunction with the SCI prescaler bits (see [Table 9-1](#)) to specify the SCI baud rate. The prescale bits, SCP1–SCP0, determine the highest baud rate; whereas, the SCR2–SCR0 bits select an additional binary submultiple (÷1, ÷2, ÷4, ... ÷128) of this highest baud rate. The result of these two dividers working in series is the 16× receiver baud-rate clock. [Table 9-2](#) shows the SCI baud rates that result for various settings of SCR2–SCR0 and the highest baud rates from [Table 9-1](#). Since not all of these entries

are of practical use, the ones of interest have been highlighted in bold. The SCR2–SCR0 bits are not affected by reset and may be changed at any time. Of course, it makes no sense to change the baud rate while any SCI transfer is in progress.

Table 9-2. Baud Rate Selects

SCR2	SCR1	SCR0	Division Factor	Highest Baud Rate (from Table 9-1)				
				131.072 kBaud	32.768 kBaud	76.80 kBaud	19.20 kBaud	9600 Baud
				SCI Baud Rate				
0	0	0	1	131.072 k	32.768 k	76.80 k	19.20 k	9600
0	0	1	2	65.536 k	16.384 k	38.40 k	9600	4800
0	1	0	4	32.768 k	8192	19.20 k	4800	2400
0	1	1	8	16.384 k	4096	9600	2400	1200
1	0	0	16	8192	2048	4800	1200	600
1	0	1	32	4096	1024	2400	600	300
1	1	0	64	2048	512	1200	300	150
1	1	1	128	1024	256	600	150	75

9.4.3 SCI Control Register 1 (SCCR1)

SCCR1 contains control bits related to the 9-bit data character format and the receiver wake-up feature. Four of the bits in this register are not used and always read as 0s.

Address: \$102C

	Bit 7	6	5	4	3	2	1	Bit 0
Read:	R8	T8	0	M	WAKE	0	0	0
Write:								
Reset:	U	U	0	0	0	0	0	0

U = Unaffected

Figure 9-5. SCI Control Register 1 (SCCR1)

R8 — Receive Data Bit 8

When the SCI system is configured for 9-bit data characters, this bit acts as an extra (ninth) bit of the RDR. The MSB of received characters is transferred into this bit at the same time the remaining eight bits are transferred from the serial receive shifter to the SCDR.

T8 — Transmit Data Bit 8

When the SCI system is configured for 9-bit data characters, this bit acts as the extra (ninth) bit of the TDR. When the low-order eight bits of a transmit character are transferred from the SCDR to the serial transmit shift register, this bit is transferred to the ninth bit position of the shifter. In cases where the sense of this bit is the same as it was for the previous character, it is not necessary to write to this bit before transmission of the new character. For example, if the 9-bit format is used to get an extra stop bit (logic 1), the T8 bit is written to 1 before transmitting the first character, and no other writes are needed.

M — SCI Character Length Bit

0 = One start bit, eight data bits, one stop bit

1 = One start bit, nine data bits, one stop bit

The M bit controls the character length for both the transmitter and receiver at the same time. The 9-bit data format is most commonly used for an extra stop bit or in conjunction with the address-mark wakeup method, but it can also be used for parity. Mark and space parity are trivial, but odd and even parity require software calculations.

WAKE — Wakeup Method Select Bit

0 = Idle line; detection of at least a full character time of idle line causes the receiver to wake up

1 = Address mark; a logic 1 in the MSB position (eighth or ninth data bit depending on character size selected by M bit) causes the receiver to wake up

9.4.4 SCI Control Register 2 (SCCR2)

SCCR2 is the main control register for the SCI subsystem.

Address: \$102D

	Bit 7	6	5	4	3	2	1	Bit 0
Read:	TIE	TCIE	RIE	ILIE	TE	RE	RWU	SBK
Write:								
Reset:	0	0	0	0	0	0	0	0

Figure 9-6. SCI Control Register 2 (SCCR2)

TIE — Transmit Interrupt Enable Bit

- 0 = TDRE interrupts disabled (software polling mode)
- 1 = SCI interrupt requested when TDRE is set to 1

TCIE — Transmit Complete Interrupt Enable Bit

- 0 = TC interrupts disabled (software polling mode)
- 1 = SCI interrupt requested when TC is set to 1

RIE — Receive Interrupt Enable Bit

- 0 = RDRF and OR interrupts disabled (software polling mode)
- 1 = SCI interrupt requested when either RDRF or OR is set to 1

ILIE — Idle-Line Interrupt Enable Bit

- 0 = IDLE interrupts disabled (software polling mode)
- 1 = SCI interrupt requested when IDLE is set to 1

The idle-line function is inhibited while the receiver wake-up function is enabled.

TE — Transmit Enable Bit

- 0 = SCI transmitter disabled
- 1 = SCI transmitter enabled

The transmitter does not turn off in the middle of a character. When TE is written to 0, the transmitter keeps control of the TxD pin until any character in progress (including preambles or break characters) is finished. When TE is written from 0 to 1, the transmitter sends a preamble character consisting of 10 (11 if M = 1) bits of logic 1. This mechanism can be used to queue an idle character time between the

last character of one message and the first character of the succeeding message. The procedure would be to wait for TDRE to be set after writing the last character to the SCDR (this signals that the character has transferred to the shifter to be sent serially). Then write TE to 0 and back to 1. Since the last character is still being shifted out, the transmitter will not relinquish control of the TxD pin, but the act of writing TE from 0 to 1 causes an idle preamble character to be queued to be sent as soon as the last character from the previous message finishes being shifted out. Finally, write the first character of the next message to the SCDR. This new character will start transmitting as soon as the queued idle character finishes.

RE — Receive Enable Bit

0 = SCI receiver disabled

1 = SCI receiver enabled

While the SCI receiver is disabled, the RDRF, IDLE, OR, NF, and FE status flags cannot become set. If these flags were set, turning off RE does not cause them to be cleared.

RWU — Receiver Wakeup Bit

0 = Normal SCI receiver operation (wakeup feature not enabled)

1 = Places the SCI receiver in a standby mode where receiver-related interrupts are inhibited until some hardware condition is met to wake up the sleeping receiver

The condition that wakes up the receiver depends on which method of wakeup was specified with the WAKE bit in SCCR1.

Although it is possible for software to write the RWU bit to 0, it is unusual to do so. The normal sequence is for software to set the RWU bit after deciding that a particular SCI message is of no interest. Setting the RWU bit causes the receiver to go to sleep (ignore further receiver interrupt sources) until the start of the next message. Receiver wakeup logic recognizes when the unimportant message is over and automatically clears the RWU bit to wake up the sleeping receiver.

SBK — Send Break Bit

0 = Normal transmitter operation

1 = Enable transmitter to send synchronous break characters.

Whenever the SBK bit is written to 1, at least one character time of break will be queued and sent. In the context of the M68HC11, a break character causes the TxD line to go to logic 0 for 10 (11 if M = 1) bit times.

In old teletype systems, a break was caused by simply disconnecting the serial line, which caused the line to go to logic 0 for some asynchronous length of time (usually as long as the break key was pressed). A receiver seeing a break character produced by an M68HC11 would receive an all-zero character with a framing error (FE) because the line would be low where the receiver expected to see a logic-high stop bit.

The break characters in the M68HC11 are synchronous because no partial character times of the break condition are ever produced. When SBK is set to 1, a break character is queued pending completion of any character currently shifting out of the transmit shift register. When the transmit shift register becomes available, the queued break character is jammed into the shift register to be serially sent, and, if the SBK bit is still 1, another break is queued. It will always be at least one character time from when the SBK bit is written back to 0 before the transmitter can resume sending normal characters.

9.4.5 SCI Status Register (SCSR)

The seven status bits associated with the SCI system are located in the SCI status register (SCSR), which is depicted in [Figure 9-7](#). Some of these bits optionally generate hardware interrupt requests; whereas, others simply indicate errors in the reception of a character. These status bits are set automatically by the corresponding conditions having been met in the SCI logic. Once set, these bits remain set until software completes a clearing sequence. The clearing sequences are somewhat automatic in that they are satisfied by performing functions normally done anyway. For example, to clear the TDRE flag, software must read the SCSR while TDRE is set and then write to the TDR. Since these are

exactly the normal steps in response to the TDRE, no instructions are needed to clear the flag.

Address: \$102E

	Bit 7	6	5	4	3	2	1	Bit 0
Read:	TDRE	TC	RDRF	IDLE	OR	NF	FE	0
Write:								
Reset:	1	1	0	0	0	0	0	0

Figure 9-7. SCI Status Register (SCSR)

TDRE — Transmit Data Register Empty Bit

0 = Not empty; a character previously written to the SCDR and has not yet transferred to the transmit shift register to be serially sent

1 = Indicates a new character may now be written to the SCDR

In normal transmit operations, this bit is checked before each new character is sent to see if the SCDR can accept the new data. The SCI transmitter is double buffered so the TDR holds the second character in line while the transmit serial shift register holds the character in the process of being transmitted serially. The TDRE flag is cleared by reading SCSR, followed by a write to the SCDR. TDRE must be read as 1 during the read of SCSR, or the first step of the clearing sequence is not satisfied. The TDRE bit is set to 1 during reset to indicate that there is no meaningful data in the SCDR.

TC — Transmit Complete Bit

0 = The transmitter is busy sending a character, preamble, or break character.

1 = The transmitter has completed sending and has reached an idle state.

This bit is useful in systems where the SCI is driving a modem. When TC is set at the end of a transmission, the modem can be disabled. In older ACIA and SCI systems, the TDRE status bit was the only indication that a transmission was near completion. Since TDRE only indicated that the last character had transferred to the transmit shift register, software had to delay an amount of time greater than or equal to the time it took for this last character to finish transmitting

serially. Since the delay time depended on the baud rate, it was relatively difficult to know when it was safe to disable the modem. The TC bit on the M68HC11 offers a much more convenient way to tell when the transmitter has completed sending. The TC flag is cleared by reading SCSR, followed by a write to the SCDR. TC must be read as 1 during the read of SCSR, or the first step of the clearing sequence is not satisfied. The TC bit is set to 1 during reset to indicate that the transmitter is not busy transmitting.

RDRF — Receive Data Register Full Bit

0 = Not full; nothing received since the last character read out of the SCDR

1 = A character was received and transferred from the receive shift register to the parallel SCDR where software can read it

This is the normal indication that a character has been received by the SCI. The NF and FE status bits provide additional information about this normally received character in the SCDR. If set, the OR flag would indicate that another character was serially received and was ready to be transferred to the SCDR, but the previously received character was not yet read. Software should check RDRF, OR, NF, and FE for any error in the reception of a character (RDRF should be set and the other three flags should be clear). The RDRF flag is cleared by reading SCSR, followed by a read of the SCDR. RDRF must be read as 1 during the read of SCSR, or the first step of the clearing sequence is not satisfied. Since the NF and FE flags are set at the same time as RDRF, the clearing sequence for RDRF will also clear NF and FE if they were set for this received character.

IDLE — Idle-Line Detect Bit

0 = The RxD line is either active now or has never been active since IDLE was last cleared.

1 = The RxD line has become idle.

The idle condition is defined as at least a full character time of logic 1 on the RxD line. A character time is 10 bit times if M = 0 or 11 bit times if M = 1. The IDLE flag is cleared by reading SCSR, followed by a read of the SCDR. IDLE must be read as 1 during the read of SCSR, or the first step of the clearing sequence is not satisfied. Once IDLE has been cleared, it cannot be set again until the RxD line has been active

and then becomes idle again. The idle-line function is inhibited while the receiver wakeup function is enabled (RWU = 1).

OR — Overrun Error Bit

0 = No overrun error

1 = Indicates that another character was serially received and was ready to be transferred to the SCDR, but the previously received character was not yet read

Since the SCI receiver is double buffered, there is a full character time between reception of a character and when it must be read from the SCDR to avoid an OR caused by a subsequent character. In an OR condition, the character that caused the OR is lost, but the previously received character in the SCDR is not disturbed. The NF and FE status bits are associated with the normally received character in the SCDR (never the character that caused an OR). The OR flag is cleared by reading SCSR, followed by a read of the SCDR. OR must be read as 1 during the read of SCSR, or the first step of the clearing sequence is not satisfied.

NF — Noise Flag

0 = No noise detected during reception of the character in the SCDR

1 = Data recovery logic detected noise during reception of the character in the SCDR.

NF does not generate interrupt requests because it is always associated with the setting of RDRF, which does cause interrupts. Even if the noise is detected early in the reception of the character, NF is not set until RDRF is set at the end of reception of a character. Perceived noise in any of the data bit times or the start or stop bit times will cause NF to be set. During data bit times and the stop bit time, noise is indicated if the three samples taken near the middle of the bit time do not unanimously agree. During reception of the start bit, four additional samples are taken during the first half of the bit time to detect the leading edge of the bit time and to verify that it is a start bit. If all seven samples taken during the start bit time are not 0, noise is indicated and NF is set. Many systems ignore the NF because the data recovery logic has already made a good first-order attempt to correct the problem. In critical applications, the NF could be used to generate a request for retransmission of the questionable data. The

NF flag is cleared by reading SCSR followed by a read of the SCDR. NF must be read as 1 during the read of SCSR, or the first step of the clearing sequence is not satisfied.

FE — Framing Error Bit

0 = No framing error detected

1 = A framing error was detected for the character in the SCDR.

Asynchronous serial data reception requires the receiver to properly align the character reception frame with the incoming serial data. This alignment is achieved by asynchronously searching for the falling edge of the start bit; alignment is verified by looking for the expected logic high during the last bit time (stop bit) of the character. If a logic 0 is detected where the stop bit was expected, the FE flag is set. The FE indicator is not a foolproof indication of improper framing. It is possible for the receiver to be misframed without there being any FE indication because the RxD line could by chance be high when the receiver expected to see the stop bit.

The FE flag is cleared by reading SCSR followed by a read of the SCDR. FE must be read as 1 during the read of SCSR, or the first step of the clearing sequence is not satisfied.

9.4.6 SCI Data Register (SCDR)

SCDR shown in [Figure 9-8](#) is actually two separate registers. When SCDR is read, the read-only RDR is accessed; when SCDR is written, the write-only TDR is accessed. In discussions of the SCI system, any of the mnemonics SCDR, TDR, or RDR might be used to refer to this register location.

Address: \$102F

	Bit 7	6	5	4	3	2	1	Bit 0
Read:	R7	R6	R5	R4	R3	R2	R1	R0
Write:	T7	T6	T5	T4	T3	T2	T1	T0
Reset:	Unaffected by reset							

Figure 9-8. SCI Data Register (SCDR)

9.5 SCI Transmitter

The SCI transmitter (see [Figure 9-1](#)) uses an internally generated bit-rate clock to serially shift data out of the TxD pin. A normal transmission is initiated by enabling the transmitter (setting TE to 1) and then writing data to be transmitted to the SCDR. Since the SCI transmitter is double buffered, a new character may be written to the transmit queue whenever the TDRE status flag is set to 1.

The transmit bit-rate clock is free running, and there is normally no way to know where a bit clock transition will occur relative to the software instructions that write data to the TDR. Since transfers to the transmit shift register and transmission of data must be synchronized to this bit-rate clock, there will be an uncertainty about exactly when a character will start being transmitted relative to when it was written to the TDR. The transmit bit-rate clock is free running as opposed to being started when a character is written to the TDR.

Transmitter logic adds a 0 start bit and a 1 stop bit to the data characters presented by the CPU for transmission. The transmitter can be configured to send characters with eight ($M = 0$) or nine ($M = 1$) data bits. When the TDR is able to accept a new data character, the TDRE status flag is set, and an interrupt can optionally be generated. Another status flag (TC) and optional interrupt are produced when the transmitter has finished sending everything in its queue. In addition to data characters, the transmitter is capable of sending idle-line characters and break characters, which are useful in multi-drop SCI networks. The transmitter is double buffered, which means that one character can be in the parallel TDR while another is in the transmit shift register being sent. In the case of queued idle and break characters, three characters can be in the queue, but no more than two can be data characters. The last topic of discussion for the transmitter will be the TxD pin buffer. This flexible buffer can be used to control what happens to the TxD pin when the transmitter is finished using the pin.

9.5.1 8- and 9-Bit Data Modes

The M bit in the SCCR1 determines the length of SCI characters for both the transmitter and receiver. The most common configuration is one start bit, eight data bits, and one stop bit, which is selected by M equals 0. When M = 1, characters are composed of one start bit, nine data bits, and one stop bit. In this 9-bit data mode, the low-order eight bits come from the normal TDR, and the ninth bit comes from the T8 bit of SCCR1. Data is transmitted LSB first, and this ninth bit becomes the new MSB, which is transmitted just before the stop bit. Since this bit is adjacent to the stop bit, it can be used as an extra stop bit by setting T8 to 1.

Another common use for the 9-bit data format is in conjunction with the address-mark variation of receiver wakeup. In a multi-drop SCI network, all receivers evaluate the first characters of a message to decide whether this message is important to this receiver. If not, receiver wakeup may be activated by writing a 1 to the RWU bit in SCCR2. A 1 in RWU causes the receiver to ignore any other characters in the message, thus allowing the MCU to perform more useful functions than responding to interrupts from the SCI. The SCI receiver is still monitoring characters normally except that status flags and interrupts are not being produced. When address-mark wakeup is used, the SCI receive logic automatically clears RWU when it sees a character whose MSB is 1. The 1 in the MSB of a character indicates that this character is the first addressing character of a new message; thus, all receivers should wakeup and evaluate this character. The 9-bit data format allows for full 8-bit data characters to be used in the body of a message while the ninth bit acts as the address marker. The first character of each message will have this ninth bit set to 1; whereas, the remaining characters in the message will have a 0 in this ninth bit. Address-mark wakeup can be used with 8-bit data format, but message characters could only use the lower seven bits for information.

The ninth bit can also be used as a parity bit. Mark or space parity can be produced by simply making T8 equals 1 or T8 equals 0, respectively. Odd and even parity require software calculations with the resulting parity-bit value stored in T8. A new T8 value will have to be calculated for each serial character.

9.5.2 Interrupts and Status Flags

Two status flags are associated with the SCI transmitter. These flags are read by software to tell when the corresponding condition exists. This technique is called polling. Alternatively, a local interrupt enable bit can be set to enable each of these status conditions to generate interrupt requests when the corresponding condition is present. This technique is called an interrupt-driven operation. Status flags are automatically set by hardware logic conditions, but software clears these flags, which provides an interlock mechanism for logic to know when software has noticed the status indication. The software clearing sequence for these status flags is automatic in that functions normally performed in response to the status flags also satisfy the conditions of the clearing sequence.

When the transmitter is first enabled (TE written to 1), the TDRE and TC flags are normally already set. The SCI transmitter should be initialized in such a manner that the system can handle these interrupts before the TE bit is written to 1 because an immediate interrupt can occur from these sources.

The TDRE flag indicates that there is room in the transmit queue to store another data character in the TDR. The TIE bit is the local interrupt mask for TDRE. When TIE is 0, TDRE must be polled; when TIE is 1, an interrupt is requested whenever TDRE is 1. To clear TDRE, the user must read SCSR while TDRE is 1, then write to SCDR.

The TC flag indicates that the transmitter has finished transmitting everything in its queue, including any idle preamble or break character that has been queued. The TCIE bit is the local interrupt mask for TC. When TCIE is 0, TC must be polled; when TCIE is 1, an interrupt is requested whenever TC is 1. To clear TC, the user must read SCSR while TC is 1, then write to SCDR.

One interrupt vector is associated with the SCI system; therefore, the interrupt service routine must begin by reading the SCSR to determine which interrupt(s) caused the service routine to be called. Possible interrupt sources include the two transmitter sources previously discussed and three receiver-related sources.

9.5.3 Send Break

In the M68HC11, break characters are character-length periods where the TxD line goes to 0. The character length for all characters, including idle and break characters, is influenced by the M bit in SCCR1. When $M = 0$, all characters are 10 bit times long; when M equals 1, all characters are 11 bit times long. Break characters have no start or stop bits. As long as the SBK control bit is 1, break characters will be queued and sent. The TxD line will continuously remain at 0 while break characters are being sent. When SBK is written back to 0, at least one bit time of logic 1 will appear on the TxD line as soon as the last break character is finished. This high bit time ensures that a receiver can detect the falling edge at the beginning of the start bit for the next data character.

If the transmitter is busy transmitting a character when SBK is toggled on and back off by software, exactly one break character will be produced following completion of the character that was being transmitted. If the transmitter is idle at the time the SBK bit is toggled on and off, it is not certain whether one or two break characters will be sent. When SBK is set to 1, a break character is queued. When the transmit shift register becomes available and synchronization requirements are met with respect to the internal $1\times$ baud-rate clock, the queued break character is jammed into the shift register to be serially sent and, if the SBK bit is still 1, another break is queued. The transfer mechanism from the queue to the shifter is internally synchronized to the $1\times$ baud-rate clock; however, the relationship of this clock to operating software is not normally known. The instructions to write 1 and then write 0 to the SBK bit execute very quickly relative to a normal baud-rate frequency, but there is still a small probability that the baud-rate clock edge could occur between writing the 1 and writing the 0 to SBK.

9.5.4 Queued Idle Character

When the SCI transmitter is not sending some character, it is idle and the TxD line rests at logic 1. This idle-line condition can last for essentially any length of time and should not be confused with idle characters. Idle characters are character-length periods where the TxD line goes to

logic 1. The character length for all characters, including idle and break characters, is influenced by the M bit in SCCR1. When $M = 0$, all characters are 10 bit times long; when $M = 1$, all characters are 11 bit times long. Idle characters have no start or stop bits.

Idle characters are only produced when the transmitter is enabled from a disabled state (TE changed from 0 to 1). The first time the transmitter is enabled, this idle character acts as a preamble. The character-length period of logic 1 ensures that any receiver connected to this transmitter will be resynchronized so that it can properly recognize the leading edge of the start bit for the next character.

Software can queue an idle character into a serial data stream by momentarily turning TE off and then back on again. This queueing function is useful when using the idle-line variation of receiver wakeup. In a multi-drop SCI network, all receivers evaluate the first character(s) of a message to decide whether this message is important to this receiver. If not, receiver wakeup is invoked by writing a 1 to the RWU bit in SCCR2. A 1 in RWU causes the receiver to ignore any other characters in the message, thus allowing the MCU to perform more useful functions than responding to interrupts from the SCI. The SCI receiver is still monitoring characters normally except that status flags and interrupts are not being produced. When idle-line wakeup is used, the SCI receive logic automatically clears RWU (waking up the receiver) when it sees a full character time of logic 1. During a message, there must never be any gap between characters within a message because even a single bit time of idle can trigger wakeup if the previous character was \$FF. The queued idle function allows exactly one character time of idle to be inserted into the data stream to maintain maximum efficiency and data throughput. Before queued idle was available, software had to avoid writing to the TDR for two or more character times after seeing TDRE go high, which caused the TxD line to go idle for enough time to trigger RWU. The new queued idle function is much cleaner and easier to use.

The procedure for queueing an idle character is as follows. Write the last character to the TDR and wait for TDRE to become set (indicates the last character has transferred to the transmit shifter to be transmitted serially). Write 0 and then write 1 to TE. Since the last character is still

being transmitted, the transmitter will not give up control of the TxD pin, and the character being transmitted is undisturbed. The 0-to-1 transition of TE queues the idle character to be sent as soon as the transmit shifter becomes available. As soon as TE is written back to 1, the first character of the next message may be written to the TDR. In this unusual case, the transmit queue can be three characters deep: the last data character of the previous message still transmitting, the queued idle character, and the first character of the next message in the parallel TDR.

One subtle aspect of the TxD pin buffer logic can be especially useful with the queued idle function. In the previous queued idle discussion, it was assumed that the transmitter would not relinquish control of the TxD pin because the last character was still being transmitted, but what if this character is completed while TE is 0? This completion could occur if the user is using a fast baud rate and the system is so busy that there is a delay in responding to the TDRE request. The TxD pin will revert to the general-purpose input/output (I/O) function. If this scenario is a possibility, write bit 1 of PORTD and DDRD to 1. This configures the PD1/TxD pin to behave as an output and drive a 1 if the transmitter relinquishes control of the pin. Since this pin state is identical to an idle TxD line, the system would see a slightly longer than expected idle character time.

Since the queuing of an idle character occurs at the rising edge of the TE bit, exactly one idle character results from the queueing procedure. There is never any possibility of a second idle character being produced because of uncertainty about the relationship between the software and the internal baud-rate clock (as there was with queued break characters).

9.5.5 Disabling the SCI Transmitter

Writing a 0 to TE requests that the transmitter stop when it can. The transmitter will finish any transmission in progress before actually shutting down. Only an MCU reset can cause the transmitter to stop and shut down immediately.

If TE is written to 0 when the transmitter is already idle, the pin will revert to its general-purpose I/O function (synchronized to the bit-rate clock). If

anything is being transmitted when TE is written to 0, that character is completed before the pin reverts to general-purpose I/O, but any other characters waiting in the transmit queue are lost. The TC and TDRE flags are set at the completion of this last character even though TE has been disabled.

9.5.6 TxD Pin Buffer Logic

Several features of the TxD pin buffer logic are especially important to an SCI user. When the SCI transmitter is enabled, the data direction control is overridden, and the output buffer is forced on. When the transmitter is disabled and the transmission in progress is completed, the pin reverts to being a general-purpose I/O pin controlled by the PORTD and DDRD registers. In some systems, it is very important to know just what will happen to the pin when the SCI stops controlling it. Another feature of this pin buffer allows it to act like an open-collector-type buffer, which helps prevent otherwise catastrophic problems if two or more drivers connected to this same TxD line were to become enabled at the same time. Finally, the DDRD1 control bit still influences what is returned on reads of PORTD even though it is overridden in terms of controlling the output buffer enable.

Figure 9-9 is a simplified block diagram of the TxD pin logic that illustrates the points of the following discussion. The MOS transistor-level schematic and a more detailed description of the TxD pin logic are found in **7.5.6 Port D**.

Output buffer [1] is enabled by DDRD or by the SCI transmitter on (XMITON) signal. The XMITON signal is active while the TE bit is 1 and long enough after TE is written to 0 to allow any currently transmitting character to finish. The DWOM signal determines whether port D pins will act as open-collector-type drivers or as totem-pole-type drivers. DWOM simultaneously controls all six port D pins; thus, if open-collector-type operation is needed on any port D pin(s), it must be used on all six. A fairly common case might be where the SPI needed open-collector operation so DWOM was set to 1. In this case, the TxD pin needs a pullup resistor since the internal high-side driver was disabled.

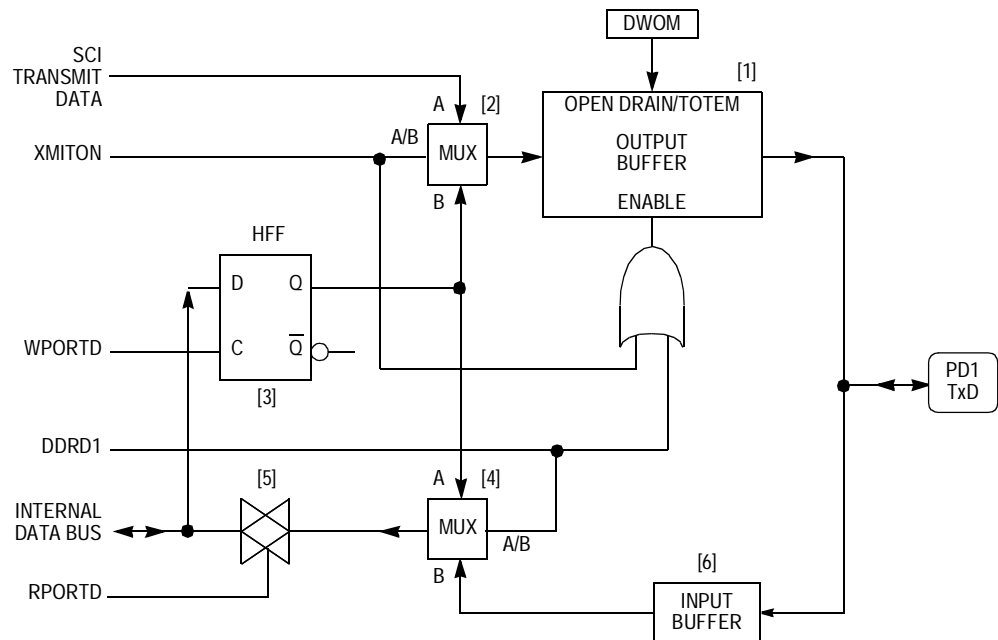


Figure 9-9. TxD Pin Logic Block Diagram

The data driven out the TxD pin is selected by multiplexer [2]. When the transmitter is enabled, SCI transmit data will drive the pin buffer. When the transmitter is disabled, latched port D data from half flip-flop (HFF) [3] drives the pin buffer. HFF [3] holds the last data written to PORTD even if the transmitter was enabled at the time.

The DDRD1 control bit provides an enable for pin output buffer [1] and a select to multiplexer [4]. When PORTD is read, analog switch [5] couples the output of multiplexer [4] onto the data bus to the CPU. Multiplexer [4] determines what will be returned on reads of port D. If DDRD1 is 1, the output of the port D bit 1 latch [3] is read. If DDRD1 is 0, pin input buffer [6] is read. When the SCI transmitter is enabled, setting DDRD1 to 0 allows software to directly read the current state of the TxD pin as data is being serially transmitted. In unusual cases, port D bit 1 latch [3] can be used as a software flag bit that can be written and read without disturbing SCI transmissions.

Probably the most commonly used aspect of the TxD pin logic is the ability to control what the pin does after the SCI gives up control. For the pin to revert to a driven high, write DDRD1 and port D bit 1 to 1s. For the pin to revert to high impedance, write a 0 to DDRD1. This

high-impedance choice is useful in multidrop systems where more than one transmitter is connected to a common transmit line but no more than one transmitter is ever simultaneously using the line. The high-impedance choice can also be used to make a 2-wire SCI system where the TxD and RxD pins of the M68HC11 are tied together and data travels in only one direction at a time (half duplex).

Since the M68HC11 is a CMOS device, it is a good idea to select the wired-OR option with DWOM whenever more than one output driver could potentially try to drive the same line.

9.6 SCI Receiver

The SCI receiver is responsible for synchronization to the serial data stream and recovery of data characters. Since the data stream has no clock, data recovery depends on the transmitting device and the receiving device operating at close to the same baud rate. The SCI system can tolerate a moderate amount of system noise without losing any information.

The SCI receive function is somewhat more difficult than the transmit function due to the asynchronous nature of incoming serial data. A significant amount of discussion here will be devoted to the way the M68HC11 recognizes a start bit because this procedure determines the amount of baud-rate frequency mismatch that can be tolerated and gives an indication of how well this SCI receiver can handle noise. Second, basic double-buffered receive functions are discussed. Finally, the two variations of the receiver wake-up function are explained.

9.6.1 Data Sampling Technique

The receiver front-end logic uses a sampling clock that is 16 times the baud-rate frequency. This sampling clock is called the RT clock in the following discussion, and one RT is understood to be one-sixteenth of a bit time. In the following figures, the RT clock cycles are numbered from one (start of a bit time) to 16 (end of a bit time).

When the receiver is first enabled and after the reception of a stop bit at the end of a frame, an asynchronous search is initiated to find the leading edge of the next start bit. The goal of this asynchronous search

is to gain bit-time synchronization between the serial data stream and the internal RT clock. Once synchronization has been established, the RT clock controls where the MCU perceives the bit-time boundaries to be. The first step in locating a start bit is to find a sample where RxD is 0 preceded by three consecutive samples of logic 1. These four samples are called start-bit qualifiers. Until the start-bit qualifiers are detected, the RT clock is reset to state RT1 after each sample. Once the qualifiers are found, the beginning of a start bit is tentatively assumed, and subsequent samples are assigned successive RT state numbers. Next, start-bit verification samples are taken at RT3, RT5, and RT7. If any two of the three verification samples are logic 1s, the low at RT1 is assumed to have been noise, and the asynchronous search is started again. When the start-bit qualifiers and the start-bit verification requirements are met, synchronization has been achieved, and the RT count state is used to determine the position of bit-time boundaries.

During each bit time, including the start and stop, data samples are taken at RT8, RT9, and RT10 to determine the logic sense of the bit time and to (possibly) set a working NF. The logic sense of the bit time is considered to be the majority of all samples taken during the bit time. If any sample disagrees with the rest, the working NF is set. Even if the samples at RT8, RT9, and RT10 suggest it should be 1, the start bit time is always assumed to be 0. The primary reason for this assumption is to avoid an accidental wakeup while using the idle-line variation of receiver wakeup. If the previous character had been all 1s (\$FF), the stop bit and the erroneous logic high in the new start bit would combine to make a full character time of logic 1 and would erroneously wakeup the receiver. Also, at least three of the four samples at RT1, RT3, RT5, and RT7 were logic 0, which would contradict a decision of logic 1 based on the samples at RT8, RT9, and RT10.

If there is any disagreement among the samples taken during any bit time in a frame (including the start and stop), the working NF is set. At the end of a character reception, data is transferred from the receive shifter to the parallel RDR, and the RDRF flag is set. If noise was detected during reception of the character, the NF is set at the same time as RDRF.

Figure 9-10 shows the details of the ideal case of start-bit recognition. All samples taken at [1] detect logic 1s on the RxD line and correspond

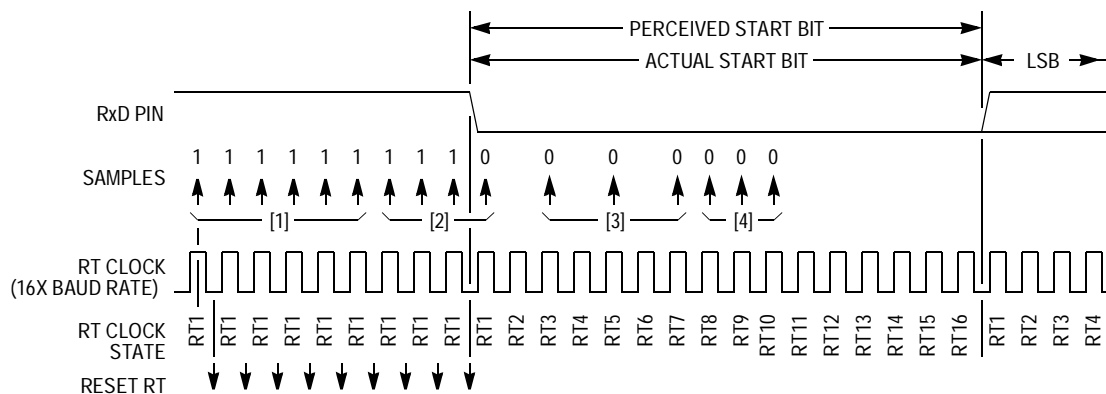


Figure 9-10. Start Bit — Ideal Case

to the idle-line time or a stop-bit time prior to this start bit. At [2] a logic-0 sample is preceded by three logic 1 samples. These four samples are called the start-bit qualifiers. The beginning of the start-bit time is tentatively perceived to occur between the third logic 1 sample and the logic 0 sample of the start qualifiers. Next, the samples at RT3, RT5, and RT7 [3] are taken to verify that this bit time is indeed the start bit. The samples at RT8, RT9, and RT10 are called the data samples [4]. In any bit time other than the start bit, these samples would drive a majority voting circuit to determine the logic sense of the bit time. In the special case of the start bit time, the bit value is forced to be 0 independent of what the data samples at RT8, RT9, and RT10 suggest.

In this ideal case, the actual start bit and the perceived start bit match. The resolution of the RT clock leads to an uncertainty about the exact placement of the leading edge of the start bit. The uncertainty in the placement of the edge will be one-sixteenth of a bit time.

Figure 9-11 shows what occurs if noise causes a sample to be erroneously detected as a 0 before the actual beginning of the start bit. Logic 0 sample [1] in conjunction with the three preceding samples of logic 1 meet the conditions for start qualification; thus, logic tentatively perceives the start bit as beginning here. Subsequent start-verification samples at RT3 and RT5 [2] are both 1s; therefore, the tentative placement of the start edge is rejected, and the search is restarted. When the sample at the actual beginning of the start bit is detected, the preceding three samples are 1s; the start bit is now perceived to begin here. In this case, the three samples taken at RT3, RT5, and RT7 now verify that the start bit has been found.

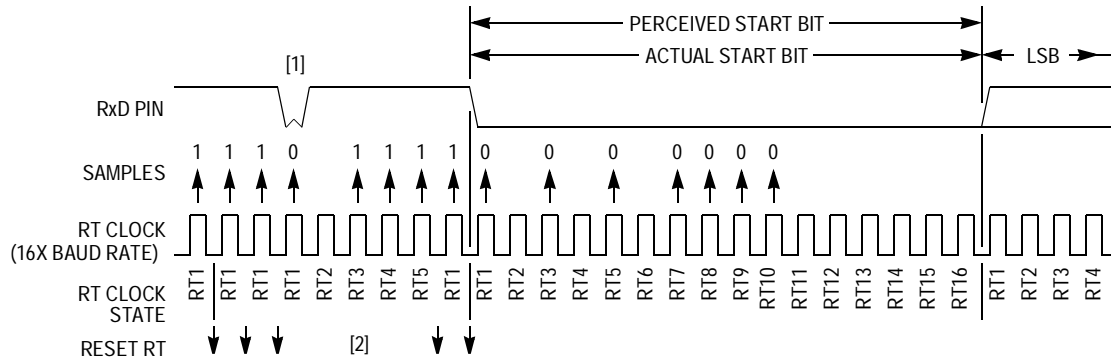


Figure 9-11. Start Bit — Noise Case One

Figure 9-12 is similar to the previous case except noise [1] is now closer to the actual beginning of the start bit. The noise sample and the preceding three 1s meet the start qualification requirements. The start-verification sample at RT3 [2] is 1, which will cause the working NF to be set. The samples at RT5 and RT7 [3] are 0s. Since two out of three of the start-verification samples are correct, the original perceived position for the beginning of the start bit is accepted. The RT clock will roll over from state 16 to state 1 [4], and bit-time misalignment [5] will continue for the remainder of this character. (A 1-to-0 transition in the data character would cause the alignment to be readjusted.) Even though the perceived alignment of the serial data to the RT clock is technically incorrect, the data samples at RT8, RT9, and RT10 fall well within the actual bit time. This character would almost certainly be received correctly; however, the NF will be set to inform the user of the questionable character.

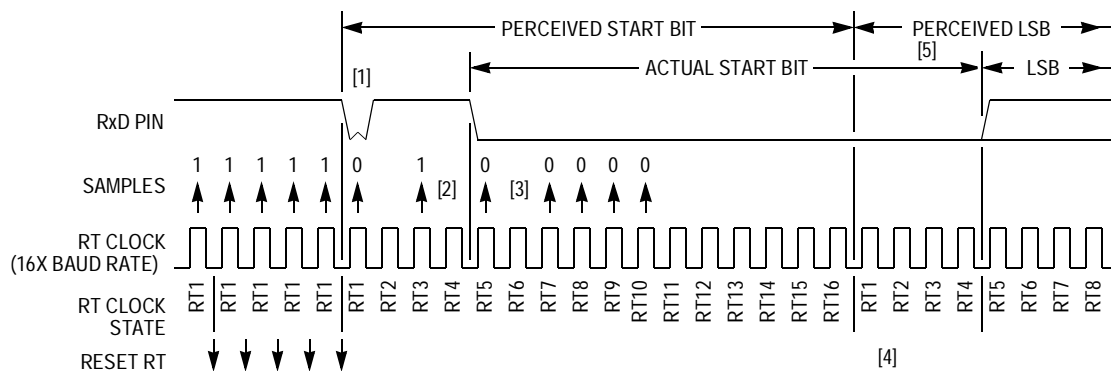


Figure 9-12. Start Bit — Noise Case Two

Figure 9-13 shows a burst of noise [1] causing two samples to detect erroneous 0s. The sample at RT5 would cause the working NF to set. Even though this example shows a worst-case alignment of perceived bit-time boundaries to actual bit-time boundaries, the data samples taken at RT8, RT9, and RT10 will fall within the actual bit time, and data recovery should still be successful. Perceived bit-time boundary [2] is almost half a bit time too soon; however, the data samples for LSB [3] still fall within the actual LSB bit time. This example is a theoretical case, and such gross noise should never be seen in an actual application. This case is an indication of how tolerant the SCI receiver is to system noise.

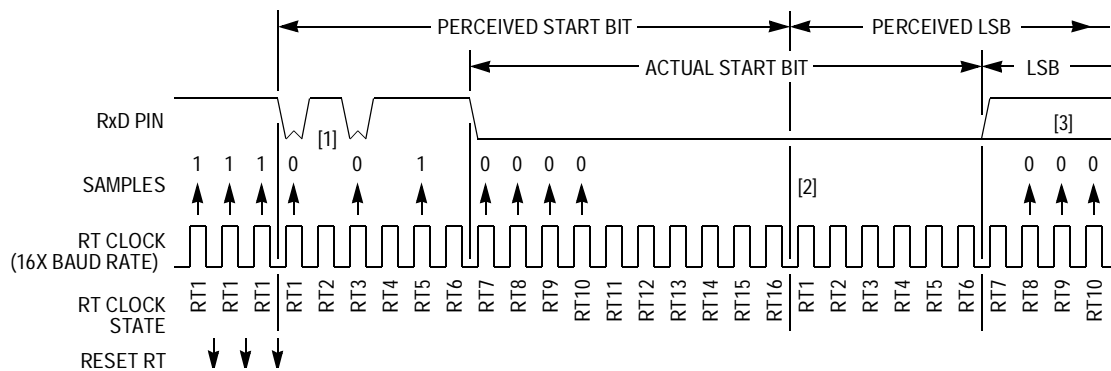


Figure 9-13. Start Bit — Noise Case Three

Figure 9-14 depicts the case of noise causing an erroneous sample of 1 early in the start bit. In this case, the NF would be set due to the 1 at sample RT3. The alignment of the perceived bit-time boundary matches that of the actual bit-time boundary.

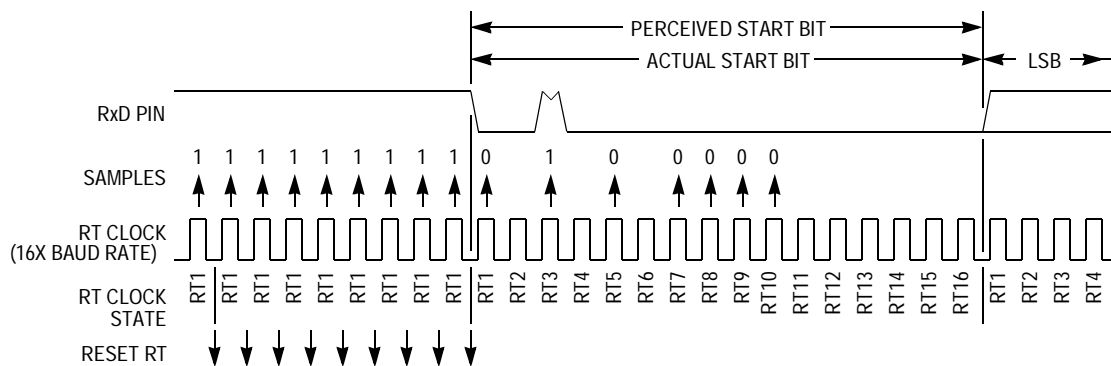


Figure 9-14. Start Bit — Noise Case Four

Figure 9-15 shows a gross burst of noise [1] during the start-verification samples. The two logic-1 samples at RT5 and RT7 cause the 1-to-0 transition at the actual beginning of the start bit to be rejected as the perceived start bit. Since there are no more cases of three logic-1 samples in a row [2], the start bit is never detected. Because the circuit could not locate the start bit, the frame will be received as a framing error, be improperly received, or be missed entirely, depending on the data in the frame and when the start search logic synchronized on what it thought was a start bit. This example shows two independent noise incidents that are specifically positioned within a frame. Of the six cases of noise during the start-bit search, this case is the only one that causes incorrect data reception.

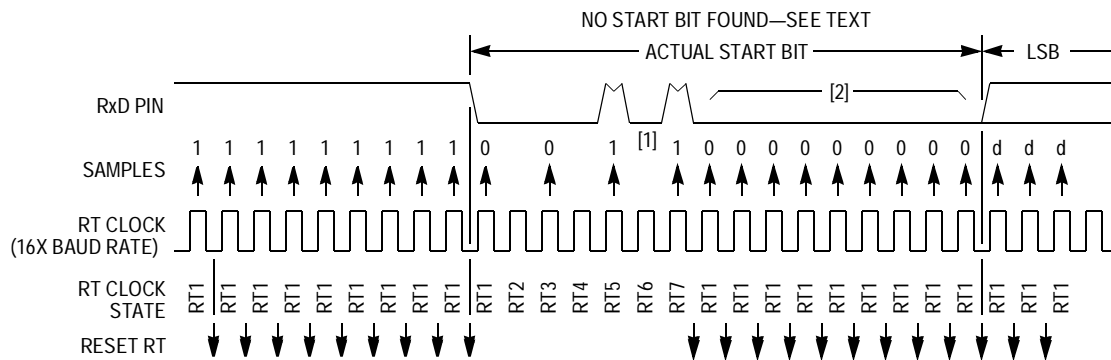


Figure 9-15. Start Bit — Noise Case Five

The final start-bit case shown in **Figure 9-16** shows a burst of noise in the middle of the start-bit time. The noise [1] causes two out of three data samples to be erroneously detected as 1s. The start-bit logic forces this bit to be detected as a 0 even though the majority of samples RT8, RT9, and RT10 suggest it should be 1. The majority of all seven samples taken during the start bit time agree with the forced 0.

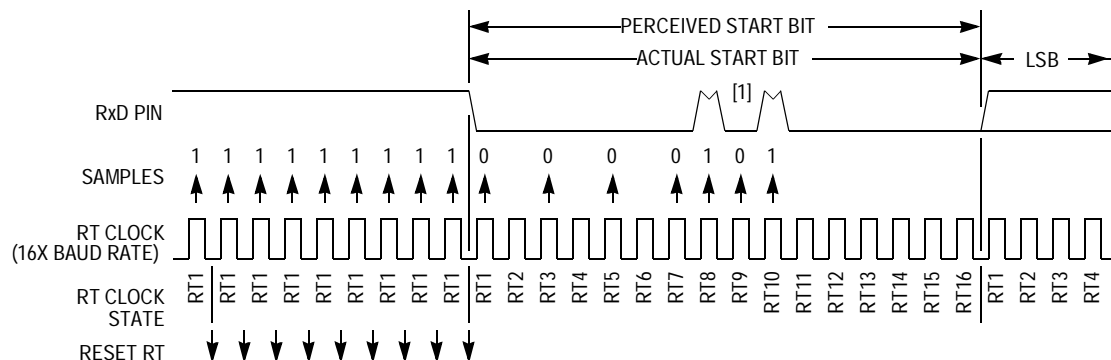


Figure 9-16. Start Bit — Noise Case Six

Another advanced feature of the data sampling technique allows the RT clock to be resynchronized on any valid 1-to-0 transition in a frame. Data is constantly being sampled and shifted into a 16 x baud-rate shift register. A 1-to-0 transition is indicated by the pattern (1110d0d0d0), which corresponds to three logic 1 samples preceding the falling edge and logic 0 samples at RT1, RT3, RT5, and RT7. (As long as no more than one of the samples at RT3, RT5, and RT7 was a 1, the falling edge would be recognized.) This feature does not help a worst-case analysis. However, this feature improves the probability of proper alignment between perceived bit times and actual bit times in the data stream, thus improving the reliability of normal data reception.

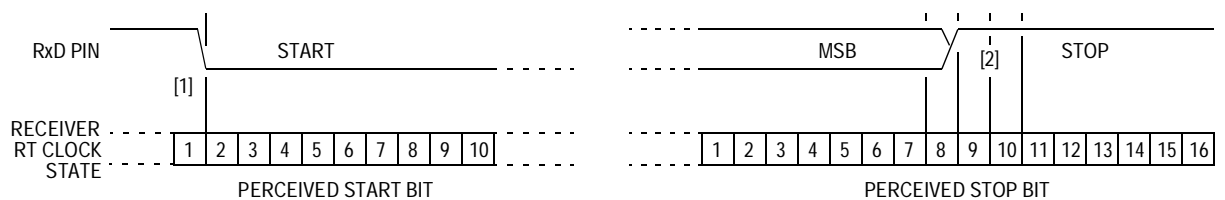
After a framing error is detected (provided a break was not detected at the same time), the three logic-1 samples leading to start-bit qualification are forced into the high-speed shift register. This procedure is analogous to pretending the stop bit of the misframed character was really a logic 1. The forced logic-1 samples are positioned at RT14, RT15, and RT16 of the perceived stop bit in an attempt to permit normal reception to proceed. If the samples were not forced to 1s, the subsequent start bit could be missed. A break is detected when a framing error occurs and the data character associated with it is all 0s. In the case of a break detect, the artificial start edge is not forced.

From an understanding of how character alignment is achieved and where the logic sense of a bit time is sampled, it is possible to calculate the worst-case baud-rate mismatch that can be tolerated between two SCI devices. In this worst-case analysis, no 1-to-0 transitions are assumed to occur within the character to cause realignment. The noise cases discussed previously are ignored because they do not apply to normal reception. In the case of baud-rate mismatch, the data sampling technique may be unable to recover correct data in the presence of gross noise.

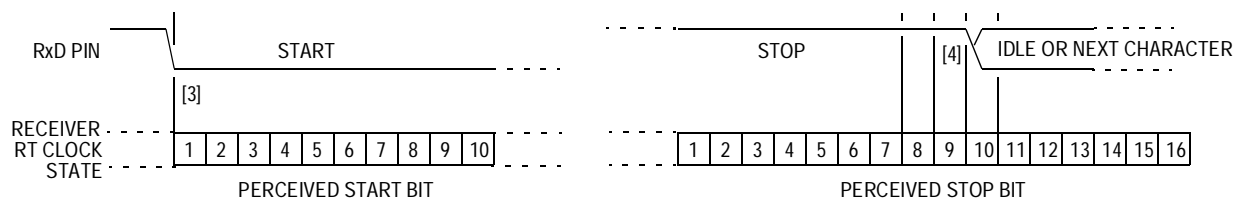
9.6.2 Worst-Case Baud-Rate Mismatch

Two cases must be considered and each of these cases must be modified for normal 8-bit data format and optional 9-bit data format. In the first case, a too-slow transmitting device sends characters to this SCI receiver. In the second case, a too-fast transmitting device is operating above the ideal baud rate. When the accumulated bit-time alignment error causes more than one of the three data samples for the stop bit time to fall outside the actual stop bit time, an error has occurred. In both cases, assume the receiver is operating at the ideal baud rate for reference, which should provide the basis for any worst-case baud-rate analysis. For most users, the amount of mismatch that can be tolerated is much more than the amount that is ever likely to be encountered.

Figure 9-17(a) shows a worst-case slow signal on RxD relative to the RT clock states of the 16× receiver RT clock. The alignment of the falling edge of start bit [1] in **Figure 9-17(a)** and [3] in **Figure 9-17(b)** shows the uncertainty resulting from the resolution of the RT clock. Only two out of the three data samples for the stop bit fall within actual stop bit [2]. Majority sampling can still correctly detect the stop-bit value of 1, even if the MSB had been a 0. Of course, this worst-case analysis is not considering other errors or noise.



(a) Receive Data Slower Than Receiver Baud Rate



(b) Receive Data Faster Than Receiver Baud Rate

Figure 9-17. Baud-Rate Frequency Tolerance

For 8-bit data format, the ratio of the frequency of incoming data to the frequency of the receiver baud-rate clock can be written as:

$$(9 \text{ bit times}) \div [15/16 + 8(16/16) + 8/16]$$

The nine bit times are measured from the leading edge of the start bit to the trailing edge of the MSB (the stop bit was not measured although it could have been if a different denominator time had been used). The 15/16 is the amount of overlap between the actual start bit and the perceived start bit. For convenience, multiply everything by 16 to obtain measurements in terms of RT clock cycles as opposed to baud-rate clock cycles. The 8(16/16) corresponds to the eight bit times of data between the perceived start and stop bits. The 8/16 corresponds to the portion of the perceived stop bit time to the boundary between the actual MSB and stop bit. This ratio calculates as:

$$(9 \times 16)/(15 + (8 \times 16) + 8) = 144/(15 + 128 + 8) = 144/151 = \mathbf{95.36\%}$$

The equivalent calculation for 9-bit data format is:

$$(10 \times 16)/(15 + (9 \times 16) + 8) = 160/(15 + 144 + 8) = 160/167 = \mathbf{95.81\%}$$

Figure 9-17(b) can be used in a similar way to derive the calculations for the fastest serial data rate that can be tolerated. The actual start bit and the perceived start bit both begin at [3]. In this case, measure the time for the complete actual frame, which ends between RT clock states 9 and 10 of the perceived stop bit. The calculation for 8-bit data format is:

$$(10 \times 16)/((9 \times 16) + 9) = 160/153 = \mathbf{104.56\%}$$

The equivalent calculation for 9-bit data format is:

$$(11 \times 16)/((10 \times 16) + 9) = 176/169 = \mathbf{104.14\%}$$

For 8-bit data format, the baud-rate variation that can be tolerated is about ± 4.5 percent; for 9-bit data format, the variation is about ± 4 percent. This analysis assumes one of the devices was operating at the exact baud-rate frequency, and the calculations show how much the other device could vary from this. One device operating four percent too slow cannot communicate with another device operating 4 percent too fast.

9.6.3 Double-Buffered Operation

The SCI receiver in the M68HC11 is double buffered, which means that the receiver can have up to two characters in it at any given moment. One of the characters is in a readable parallel receive data buffer (SCDR); another could be shifting into the receive serial shift register. This double-buffered arrangement gives software some time to notice a received character and read it before the next serial character is finished. Without double buffering, the transmitting device would be required to insert delays between transmitted characters to avoid a receiver overrun. An overrun occurs in a double-buffered M68HC11 if a serial character is received and is ready to transfer into the parallel RDR while there is still a previously received character in the RDR. The transfer could not occur without destroying the previously received character.

9.6.4 Receive Status Flags and Interrupts

Five status flags are associated with the SCI receiver. RDRF is set and optionally generates an interrupt request when a character has been received and transferred into the parallel RDR. The OR flag is set and optionally generates an interrupt request instead of RDRF (if RDRF was already set when a new character was ready to be transferred into the parallel RDR). When an overrun takes place, the new character is lost, and the character that was in its way in the parallel RDR is undisturbed. The NF and FE flags provide additional information about the character in the parallel RDR. Since NF and FE are always accompanied by RDRF and since RDRF already generates an interrupt request, NF and FE do not. The last receiver status flag and interrupt source comes from the IDLE flag. The RxD line is idle if it has constantly been at logic 1 for a full character time. The IDLE flag is set only after the RxD line has been busy and **becomes** idle, which prevents repeated interrupts for the whole time RxD remains idle.

Status flags are set by the SCI logic in response to specific conditions in the receiver. These flags can be read (polled) at any time by software. Three of the flags (RDRF, OR, and IDLE) can also optionally generate an automatic interrupt request. The RIE is a local enable for both RDRF and OR. If RIE is set to 1, RDRF and OR generate interrupts whenever

either is set to 1. If RIE is 0, RDRF and OR do not generate interrupts, and the receiver operates in polled mode. ILIE works similarly as a local enable for the IDLE status flag. When ILIE is set to 1, an interrupt request is generated whenever IDLE is a 1. When ILIE is 0, the IDLE status flag does not generate interrupt requests. When the receiver wake-up function is enabled (RWU = 1), setting the IDLE flag is inhibited.

9.6.5 Receiver Wakeup Operation

The M68HC11 receiver logic hardware also supports a receiver wake-up function, which is intended for systems having more than one receiver. With this function, a transmitting device directs messages to an individual receiver or group of receivers by passing addressing information as the initial byte(s) of each message. Receivers not addressed activate the receiver wakeup function, which makes these receivers dormant for the remainder of the unwanted message and eliminates any further software overhead to service the remaining characters of the unwanted message.

The receiver is placed in wakeup mode by writing a 1 to the RWU bit in the SCCR2 register. While RWU is 1, all of the receiver-related status flags (RDRF, IDLE, OR, NF, and FE) are inhibited (cannot become set). Although RWU can be cleared by a software write to SCCR2, to do so would be unusual. Normally, RWU is set by software and is cleared automatically with hardware by either idle-line wakeup or address-mark wakeup.

9.6.5.1 Idle-Line Wakeup

To use this receiver wakeup method in an actual system, a software addressing scheme is established to allow the transmitting device(s) to direct messages to individual receivers or groups of receivers. This addressing scheme is purely a software device and may take any form as long as all transmitting and receiving devices are programmed to understand the same scheme. The addressing information is usually the first frame(s) in a message; therefore, uninterested receivers are burdened only with these minimum addressing frames. All receivers are awake (RWU = 0) when each message begins. As soon as a receiver

determines that the message is not intended for it, software sets the RWU bit ($RWU = 1$), which inhibits further flag setting until the RxD line goes idle at the end of the message. As soon as an idle line is detected by receiver logic, hardware automatically clears the RWU bit so that the first frame of the next message can be received. This method of receiver wakeup requires a minimum of one idle-line frame time between messages and no idle time between frames in a message.

9.6.5.2 Address-Mark Wakeup

In this method of receiver wakeup, all serial characters consist of seven (eight if $M = 1$) information bits and an MSB, which is used to indicate an address character (when set to 1 (mark)). The first character of each message is an addressing character (MSB is 1). All receivers in the system evaluate this character to determine if the remainder of the message is directed toward this particular receiver. As soon as a receiver determines that a message is not intended for it, the receiver activates the RWU function by setting (with a software write) the RWU bit. Since setting RWU inhibits receiver-related flags, there is no further software overhead for the rest of this message. When the next message begins, its first character will have its MSB set, which automatically clears the RWU bit and enables normal character reception. The first character whose MSB is set will also be the first character to be received after wakeup because RWU gets cleared before the stop bit for that frame is serially received. This method of wakeup allows messages to include gaps of idle time, unlike the earlier idle-line method, but there is an efficiency loss due to the extra bit time per character (address bit) required in all characters.

9.7 Baud-Rate Generator

This discussion, which provides a more detailed description of the baud-rate generator, is useful to those users who have an odd crystal frequency or some other unusual requirement. The usual approach to selecting a baud rate is to start from a particular crystal frequency and select one of the 32 available division factors to arrive at a desired baud rate. If a system uses equipment from other manufacturers (such as a

CRT terminal or host computer), a standard baud rate, such as 9600 baud, is used. Many applications include SCI networks that do not have to communicate with ordinary RS232-type sources. In these cases, any frequency can be used as long as all of the devices in the network use the same baud rate — for example, in the automotive industry, 32.768 kbaud has commonly been used. These systems include separate controllers for various parts of the car and test equipment interfaces. All of the custom equipment is controlled by the automobile manufacturer. In this environment, high throughput on the SCI and maximum bus frequency are more important than a customary baud rate.

9.7.1 Timing Chain Block Diagram

Figure 9-18 is a block diagram of the SCI baud-rate timing chain. The crystal frequency is divided by four to get the bus rate PH2 clock. PH2 is the same frequency as E (but leads E by 90°). The prescale select bits, SCP1–SCP0, select an initial division factor of 1, 3, 4, or 13 that drives a series of divide-by-two stages. The rate select bits (SCR2–SCR0) determine where the RT clock will be tapped off of this divider chain. The RT clock is 16 times the baud-rate frequency. This 16× baud-rate clock is finally divided by 16 to get the transmitter baud-rate clock. The actual baud-rate generator functions like this block diagram although the implementation is slightly different to overcome potential circuit-delay problems. (It is important to the overall SCI circuit design to maintain minimum delays from PH2 to baud rate clock edges.)

9.7.2 Baud Rates versus Crystal Frequency

Table 9-3 is a complete listing of all possible baud rates that can be achieved for five crystal frequencies. The entries most likely to be of interest are in bold.

9.8 SCI Timing Details

The timing information presented in the following paragraphs is much more detailed than most users need but will help normal users better understand the SCI system. For rare applications needing this much detail, this discussion is an authoritative reference source although it is not intended to replace guaranteed data-sheet timing information.

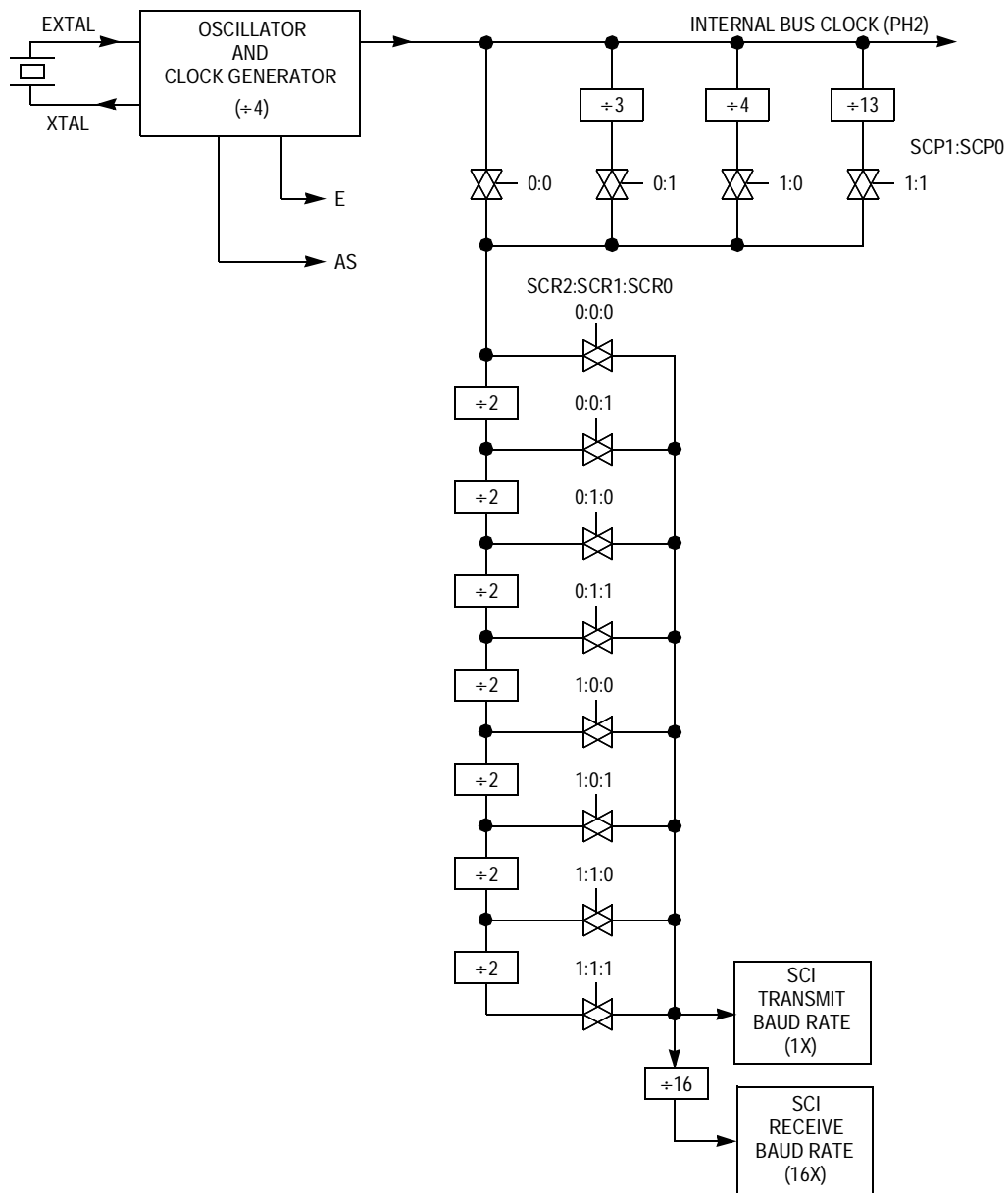


Figure 9-18. Baud-Rate Generator Block Diagram

Asynchronous Serial Communications Interface

Table 9-3. Baud Rates by Crystal Frequency, SCP1, SCP0, and SCR2–SCR0

SCP1	SCP0	SCR2	SCR1	SCR0	Crystal Frequency				
					2 ²³ Hz	8 MHz	4.9152 MHz	4 MHz	3.6864 MHz
					Baud Rates				
0	0	0	0	0	131.072 k	125.000 k	76.80 k	62.50 k	57.60 k
0	0	0	0	1	65.536 k	62.50 k	38.40 k	31.25 k	28.80 k
0	0	0	1	0	32.768 k	31.25 k	19.20 k	15.625 k	14.40 k
0	0	0	1	1	16.384 k	15.625 k	9600	7812.5	7200
0	0	1	0	0	8192	7812.5	4800	3906	3600
0	0	1	0	1	4096	3906	2400	1953	1800
0	0	1	1	0	2048	1953	1200	977	900
0	0	1	1	1	1024	977	600	488	450
0	1	0	0	0	43.691 k	41.666 k	25.60 k	20.833 k	19.20 k
0	1	0	0	1	21.845 k	20.833 k	12.80 k	10.417 k	9600
0	1	0	1	0	10.923 k	10.417 k	6400	5208	4800
0	1	0	1	1	5461	5208	3200	2604	2400
0	1	1	0	0	2731	2604	1600	1302	1200
0	1	1	0	1	1365	1302	800	651	600
0	1	1	1	0	683	651	400	326	300
0	1	1	1	1	341	326	200	163	150
1	0	0	0	0	32.768 k	31.250 k	19.20 k	15.625 k	14.40 k
1	0	0	0	1	16.384 k	15.625 k	9600	7812.5	7200
1	0	0	1	0	8192	7812.5	4800	3906	3600
1	0	0	1	1	4096	3906	2400	1953	1800
1	0	1	0	0	2048	1953	1200	977	900
1	0	1	0	1	1024	977	600	488	450
1	0	1	1	0	512	488	300	244	225
1	0	1	1	1	256	244	150	122	112.5
1	1	0	0	0	10.082 k	9600 (+0.16%)	5908	4800 (+0.16%)	4431
1	1	0	0	1	5041	4800	2954	2400	2215
1	1	0	1	0	2521	2400	1477	1200	1108
1	1	0	1	1	1260	1200	738	600	554
1	1	1	0	0	630	600	369	300	277
1	1	1	0	1	315	300	185	150	138
1	1	1	1	0	158	150	92	75	69
1	1	1	1	1	79	75	46	38	35
					2.1 MHz	2 MHz	1.2288 MHz	1 MHz	921.6 kHz
Bus frequency (E clock)									

9.8.1 Operation as Transmitter Is Enabled

When the transmitter is initially enabled (writing 1 to TE), the SCI logic overrides DDRD control of the PD1/TxD pin, and an initial preamble character is sent. This preamble character is 10 (11 if M = 1) bit times of continuous logic high at the pin. An uncertainty arises because all transmissions are synchronized to the relatively slow baud-rate clock, and the relationship of this clock to running software is normally not known. **Figure 9-19** summarizes the timing details related to transmitter enable.

TE can be written to 1 anytime in the interval from [1] to [3]; it will be recognized at the falling edge of Tx clock [4]. The rising edge of TE [1] is too late relative to the falling edge of internal Tx clock [2]. The rising edge of TE [3] is in time to be recognized at the falling edge of internal Tx clock [4]. This reflects an uncertainty about the delay from writing TE to 1 and when the SCI transmitter actually takes control of the TxD pin. The pin functions as the general-purpose I/O pin (PD1) until [5] where the SCI transmitter takes over and begins sending the preamble character.

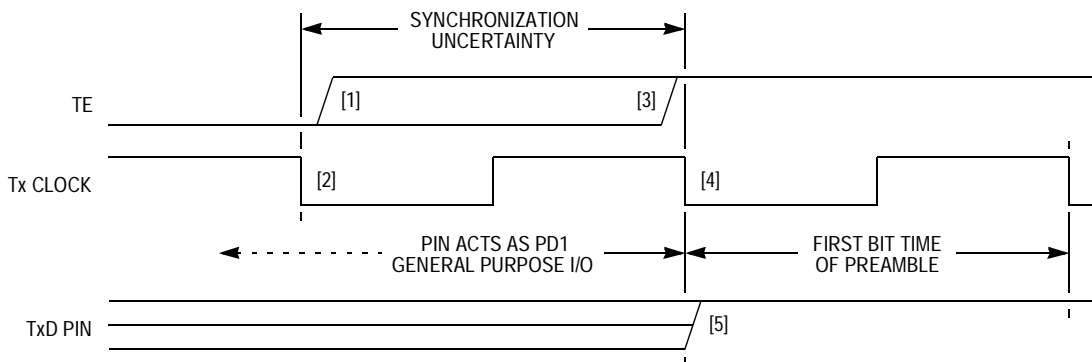


Figure 9-19. Transmitter Enable Timing Details

9.8.2 TDRE and Transfers from SCDR to Transmit Shift Register

To transmit information, data is written to the SCDR, which places data in the write-only TDR. This parallel buffer register holds the character until the transmit serial shift register is available. When any previously queued characters have finished, the data from the parallel TDR is transferred into the transmit shift register, and a start and stop bit are

Asynchronous Serial Communications Interface

added to it. **Figure 9-20** shows the case where data was written to the SCDR some time before the middle of the last bit time of a previous character. From this figure and a functional understanding of the transmitter, a user could develop a similar timing diagram for cases where the transmitter is idle when SCDR is written.

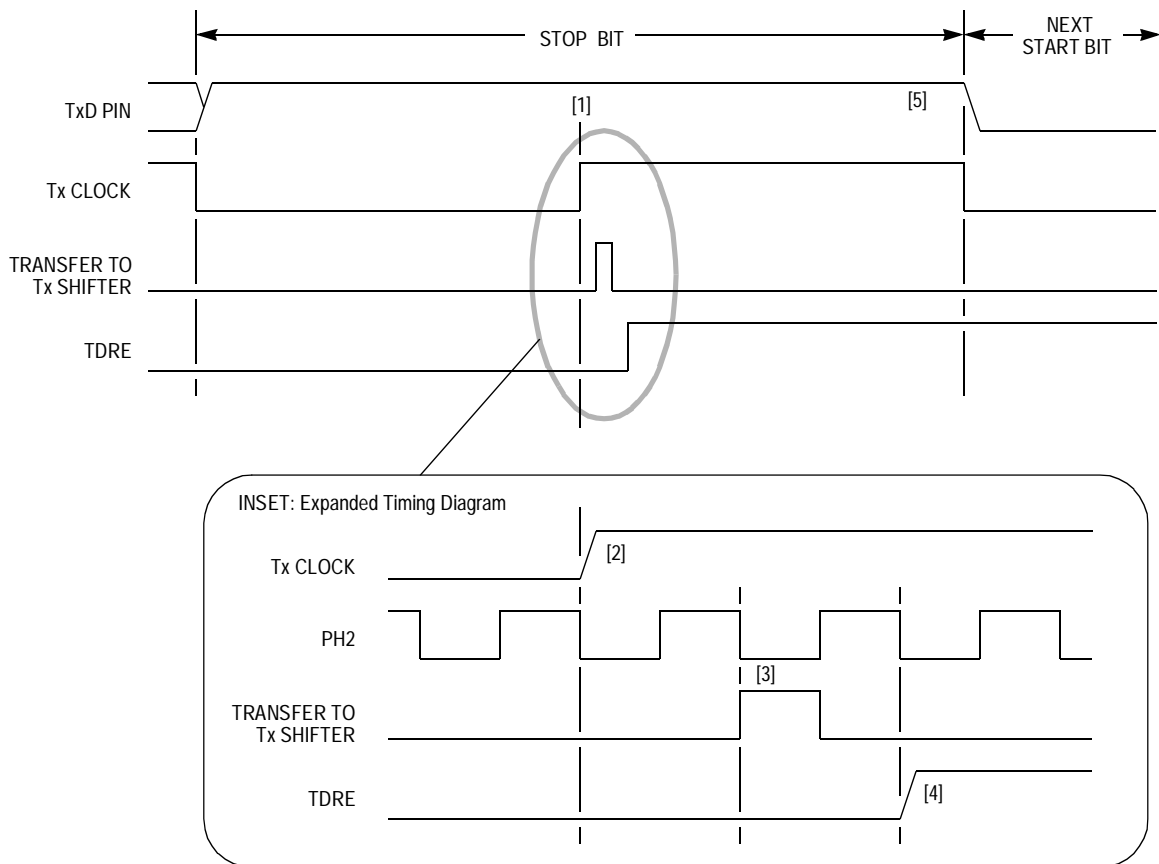


Figure 9-20. Write SCDR to Serial Data Start

A sequence of events begins at the middle of the last bit time of the previous character frame [1]. The inset of **Figure 9-20** shows an expanded view of this sequence. The rising edge of internal Tx clock [2] occurs at a falling edge of the internal PH2 clock. At the next falling edge of PH2 [3], a one-half cycle transfer signal is generated. This internal pulse causes the data waiting in the parallel TDR to be transferred into the transmit shift register. TxD pin [5] finishes sending the stop bit from the previous character even though the next character is already in the transmit shift register to transmit immediately after the stop bit ends. At

the next falling edge of PH2 [4], the TDRE flag is set to indicate that the parallel TDR is available for another character.

In a case where no data is waiting in the parallel TDR, the TDRE flag would already be 1 prior to [4]. No transfer pulse would be generated as there is nothing available to transfer. Whenever data is finally written to the parallel TDR, it will transfer almost immediately to the shift register subject to synchronization delays. All transfers are synchronized to rising edges of the internal free-running Tx clock signal. Normally, the relationship between this internal baud-rate clock and running software is not known.

9.8.3 TC versus Character Completion

The last timing detail for the transmitter involves the end of a transmission. When the transmitter is disabled by writing TE to 0, any character in progress finishes its transmission before TC is set and the TxD pin reverts to the PD1 general-purpose I/O function. **Figure 9-21** shows a case where TE is cleared while a character is transmitted.

Some time before completion of a transmit character, TE is written to 0 to disable the SCI transmitter. The transmitter does not relinquish control of the PD1 pin until the end of the character that is in progress. At the end of stop bit [1] (the last bit time in the frame), TC is set, and the TxD pin reverts to the PD1 general-purpose I/O function. The inset, an expanded view of the end of the stop bit, shows how these events are related to the PH2 clock. All bit-time boundaries are aligned to falling edges of the internal Tx clock. A falling edge of the Tx clock occurs at a falling edge of the PH2 clock.

9.8.4 RDRF Flag Setting versus End of a Received Character

A user is not generally concerned with timing relationships between an operating program and the serial receive data until a character has been completely received. After receiver logic detects the stop bit of a serial character, the character is transferred to the parallel RDR and the RDRF flag is set to 1. **Figure 9-22** shows the details related to receive character completion.

Asynchronous Serial Communications Interface

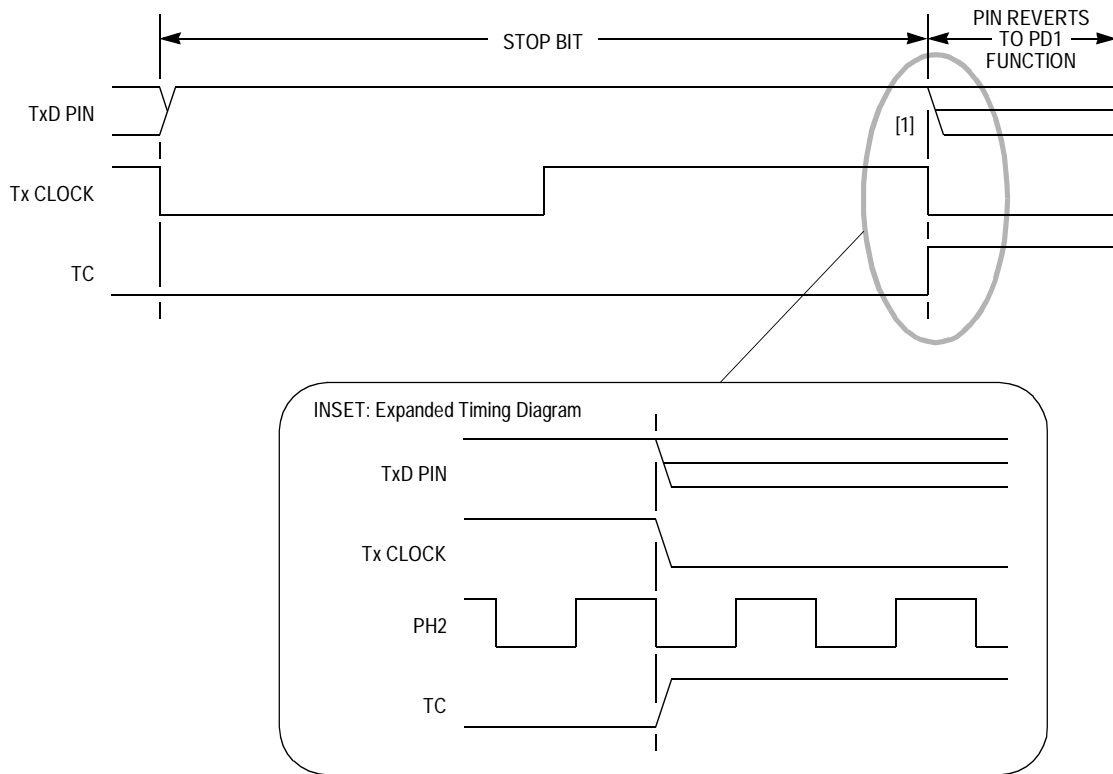


Figure 9-21. Ending Details of Transmission

Although the bit-time sampling is performed about the middle of a bit time, the RDRF flag is not set until the end of the perceived stop bit. Small differences can exist between the perceived and actual bit-time boundaries. The inset for [Figure 9-22](#) is expanded to show how the signals of interest relate to the relatively fast PH2 clock. In reality, bit times are not aligned with the falling edge of PH2, but perceived bit times are specifically aligned with the falling edge of PH2. The falling edge of PH2 [1] at the perceived end of the stop bit sets RDRF [2]. At the same time, a half-cycle transfer pulse is generated. This half-cycle active-low pulse [3] causes a received character to be transferred from the Rx shifter to the parallel RDR.

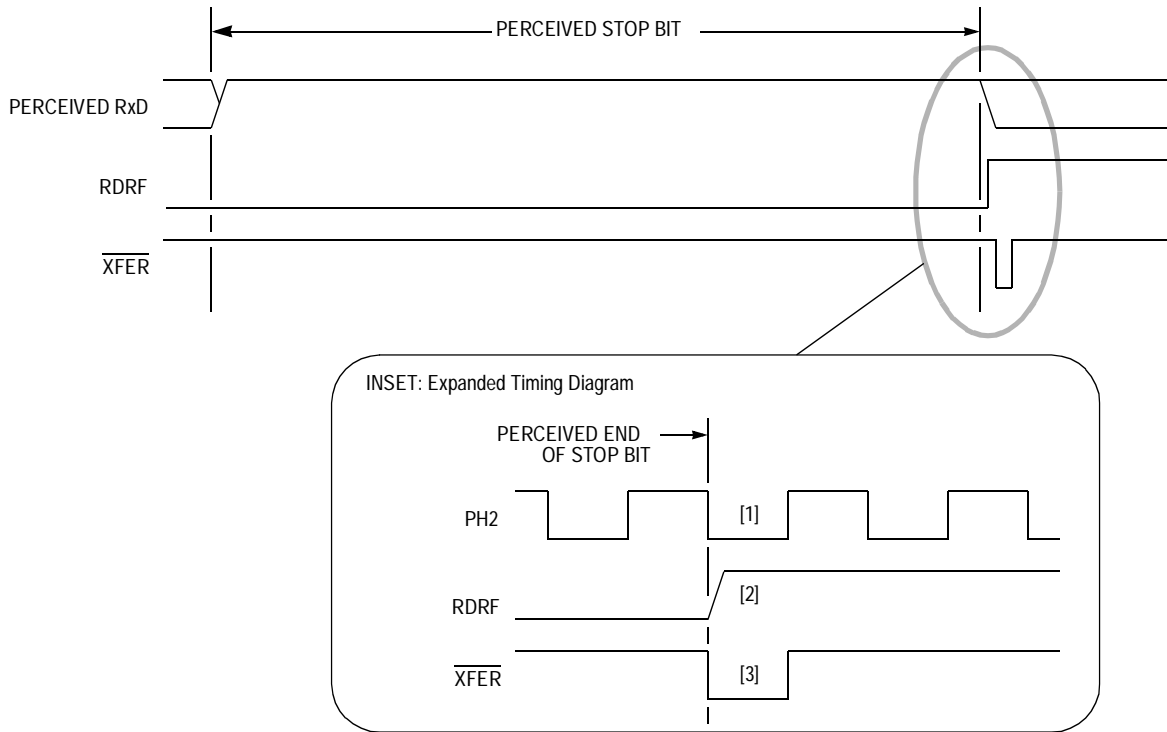


Figure 9-22. RDRF Flag-Setting Details

Asynchronous Serial Communications Interface

Section 10. Main Timer and Real-Time Interrupt

10.1 Contents

10.2	Introduction	368
10.3	General Description	368
10.3.1	Overall Timer Block Diagram	369
10.3.2	Input-Capture Concept	371
10.3.3	Output-Compare Concept	372
10.4	Free-Running Counter and Prescaler	373
10.4.1	Overall Clock Divider Structure	375
10.4.1.1	Prescaler	378
10.4.1.2	Overflow	380
10.4.1.3	Counter Bypass (Test Mode)	382
10.4.2	Real-Time Interrupt (RTI) Function	382
10.4.3	Computer Operating Properly (COP) Watchdog Function	386
10.4.4	Tips for Clearing Timer Flags	387
10.5	Input-Capture Functions	389
10.5.1	Programmable Options	392
10.5.2	Using Input Capture to Measure Period and Frequency	393
10.5.3	Using Input Capture to Measure Pulse Width	396
10.5.4	Measuring Very Short Time Periods	401
10.5.5	Measuring Long Time Periods with Input Capture and Overflow	401
10.5.6	Establishing a Relationship between Software and an Event	405
10.5.7	Other Uses for Input-Capture Pins	406
10.6	Output-Compare Functions	406
10.6.1	Normal Input/Output Pin Control Using OC5–OC2	412

10.6.2	Advanced Input/Output Pin Control Using OC1	415
10.6.2.1	One Output Compare Controlling up to Five Pins	416
10.6.2.2	Two Output Compares Controlling One Pin.	417
10.6.3	Forced Output Compares.	420
10.7	Timing Details for the Main Timer System	421
10.8	Listing of Timer Examples	425

10.2 Introduction

This section describes the main timer system of the MC68HC11A8. Because the clocking chains associated with the real-time interrupt (RTI) and computer operating properly (COP) watchdog timer branch off the main timer counter, these timing functions are also discussed in this section. All major clock divider chains in the microcontroller unit (MCU) are illustrated from the oscillator to the serial baud-rate generators, which helps put the timer counter chain in context with the rest of the MCU system.

Since the architecture of the main timer is primarily a software-driven system, several application examples are included throughout this section. Some examples demonstrate how to measure pulse widths and frequencies. Other examples demonstrate techniques for controlling timer output signals. Still other examples depict how output compares can be used for software timing.

10.3 General Description

This timer system is based on a free-running 16-bit counter with a 4-stage programmable prescaler. A timer overflow function allows software to extend the timing capability of the system beyond the 16-bit range of the counter. Three independent input-capture functions are used to automatically record (latch) the time when a selected transition is detected at a respective timer input pin. Five output-compare functions are included for generating output signals or for timing software delays. Since the input-capture and output-compare functions may not be familiar to all users, these concepts are explained in greater detail.

A programmable periodic interrupt circuit called RTI is tapped off of the main 16-bit timer counter. Software can select one of four rates for the RTI, which is most commonly used to pace the execution of software routines.

The COP watchdog function is loosely related to the main timer in that the clock input to the COP system ($E \div 2^{15}$) is tapped off the free-running counter chain. The clocking structure for this system will be discussed briefly in this section, but the overall COP system is explained in greater detail in [Section 5. Resets and Interrupts](#).

The timer subsystem involves more registers and control bits than any other subsystem on the MCU. Each of the three input-capture functions has its own 16-bit time capture latch (input-capture register) and each of the five output-compare functions has its own 16-bit compare register. All timer functions, including the timer overflow and RTI, have their own interrupt controls and separate interrupt vectors. Additional control bits permit software to control the edge(s) that trigger each input-capture function and the automatic actions that result from output-compare functions. Although hardwired logic is included to automate many timer activities, this timer architecture is essentially a software-oriented system. This structure is easily adaptable to a very wide range of applications although it is not as efficient as dedicated hardware for some specific timing applications.

10.3.1 Overall Timer Block Diagram

[Figure 10-1](#) is an overall block diagram of the main timer system. It is helpful to refer to this figure as the detailed explanations of the various control registers and bits are discussed in the remainder of this section, which helps put these details in context with the overall timer system.

The port A pin control block includes logic for timer functions and for general-purpose input/output (I/O). For pins PA0, PA1, and PA2, this block contains edge-detection logic as well as control logic that allows the user to select which edges will trigger an input capture. The digital level on these pins can be read at any time (read PORTA register) even if the pin is being used for the input-capture function. Pins PA6–PA3 are

Main Timer and Real-Time Interrupt

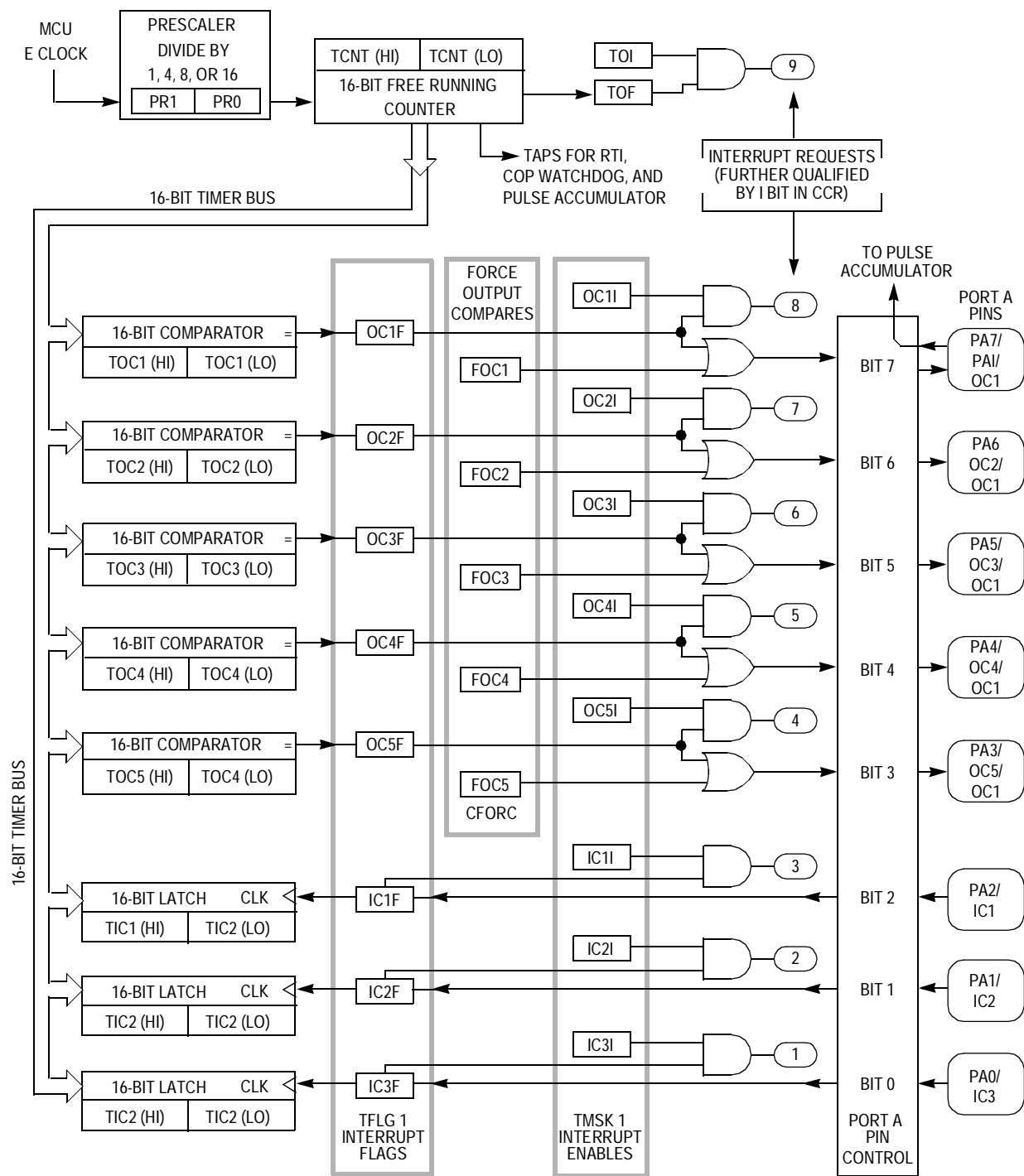


Figure 10-1. Main Timer System Block Diagram

used for general-purpose output or as output-compare pins. When one of these pins is being used for an output-compare function, it cannot be written directly as if it were a general-purpose output. Each of the output-compare functions (OC5–OC2) is related to one of the port A output pins. Output compare 1 (OC1) has extra control logic, allowing it to optionally control any combination of the PA7–PA3 pins. This extra logic is presented in [10.6.2 Advanced Input/Output Pin Control Using OC1](#). The PA7 pin can be used as a general-purpose I/O pin, as an input to the pulse accumulator, or as an OC1 output pin.

The timer functions of these pins are discussed in detail throughout this section. In some cases, a user may need more detailed information about the logic associated with these pins, especially when part of port A is used for timer I/O and the rest is used for general-purpose I/O. The best source for such details appears in [7.5.1 Port A](#), which includes complete logic diagrams for all of the port A pins.

10.3.2 Input-Capture Concept

The input-capture function is a fundamental element of the timer architecture of the MC68HC11A8. For the MCU, physical time is represented by the count in the 16-bit free-running counter. This counter is the central element in the main timer system. Input-capture functions, used to record the time at which some external event occurred, are accomplished by latching the contents of the free-running counter when a selected edge is detected at the related timer input pin. The time when the event occurred is saved in the input capture register (16-bit latch); therefore, although it may take an undetermined variable amount of time to respond to the event, software can tell exactly when the event occurred.

By recording the times for successive edges on an incoming signal, software can determine the period and/or pulse width of the signal. To measure a period, two successive edges of the same polarity are captured. To measure a pulse width, two alternate polarity edges are captured. For example, to measure the pulse width for a high-going pulse, the user would capture at a rising edge and subtract this time from the time captured for the subsequent falling edge. When the period or

pulse width is less than a full 16-bit counter overflow period, the measurement is very straightforward. In practice, software usually has to keep track of the overflows of the 16-bit counter to extend its range.

Another important use for the input-capture functions is to establish a time reference. In this case, an input-capture function is used in conjunction with an output-compare function. For example, if the user wants to activate an output signal a certain number of clock cycles after detecting an input event (edge), the input-capture function would be used to record the time when the edge occurred. A number corresponding to the desired delay would be added to this captured value and stored to an output-compare register. Since both input captures and output compares are referenced to the same 16-bit counter, the delay can be controlled to the resolution of the free-running counter independent of software latencies. Details about the implementation of the input-capture functions as well as more specific examples of how to use input-capture functions in the MC68HC11A8 are included in [10.5 Input-Capture Functions](#).

10.3.3 Output-Compare Concept

The output-compare function is also a fundamental element of the timer architecture of the MC68HC11A8. For the MCU, physical time is represented by the count in the 16-bit free-running counter. This counter is the central element in the main timer system. Output-compare functions are used to program an action to occur at a specific time (when this 16-bit counter reaches a specific value). For each of the five output-compare functions, there is a separate 16-bit compare register and a dedicated 16-bit comparator. The value in the compare register is compared to the value of the free-running counter on every bus cycle. When the compare register matches the counter value, an output is generated, which sets an output-compare status flag and initiates the automatic actions for that output-compare function. Optional automatic actions initiated by an output compare include generation of a hardware interrupt request and state changes at the related timer output pin(s).

One of the easiest uses of an output-compare function is to produce a pulse of a specific duration. First, a value corresponding to the leading

edge of the pulse is written to the output-compare register. The output compare is configured to automatically set the corresponding output either high or low, depending on the polarity of the pulse being produced. After this compare occurs, the output compare is reprogrammed to automatically change the output pin back to its inactive level at the next compare. A value corresponding to the width of the pulse is added to the original output-compare register value, and this result is written to the output-compare register. Since the pin-state changes occur automatically at specific values of the free-running counter, the pulse width can be controlled accurately to the resolution of the free-running counter independent of software latencies. By repeating the actions for generating pulses, an output signal of a specific frequency and duty cycle can be generated.

Another use of the output-compare function is to generate a specific delay. For example, to produce a 10-ms delay to time programming of an EEPROM byte, follow the initial programming steps to the point where the programming supply has been enabled (EEPGM bit has been written to 1). Read the current value of the main timer counter and add a number corresponding to 10 ms (if the count rate is 2 MHz, the value corresponding to 10 ms would be $20,000_{10}$ or $4E20$). Write this sum to the output-compare register so that an interrupt will occur when the counter gets to this value. In this example, the actual EEPROM programming time started just before the current time was read from the counter and ended after responding to the output compare and turning off EEGPM. The small delays for setting up the output compare and the latency for responding to the output compare are not considered because they only make the EEPROM programming time longer by a few microseconds. A more advanced user of output-compare functions will learn how to correct for these details, although it is often not necessary. Details about the implementation of the output-compare functions and specific examples of how to use output-compare functions in the MC68HC11A8 are included in [10.6 Output-Compare Functions](#).

10.4 Free-Running Counter and Prescaler

The central element of the main timer system in the MC68HC11A8 is a 16-bit free-running counter. This counter starts from a count of 0000 as

the MCU is coming out of reset and then counts up continuously. When the maximum count is reached (\$FFFF), the counter rolls over to a count of \$0000, sets an overflow flag, and continues to count up. As long as the MCU is running in a normal operating mode, there is no way to reset, change, or interrupt the counting of this counter. This counter may be read at any time to tell what time it is. All activities of the main timer system are referenced to this one free-running counter; therefore, all timer functions have a known relationship to each other.

Address: \$100E

Read:	Bit 15	14	13	12	11	10	9	Bit 8
Write:								

Address: \$100F

Read:	Bit 7	6	5	4	3	2	1	Bit 0
Write:								

Figure 10-2. Timer Counter (TCNT)

The timer counter (TCNT) register is meant to be read using a double-byte read instruction such as load D (LDD) or load X (LDX). The low-order half of the counter passes through a normally transparent buffer to the TCNT register. When the low-order half of the counter is read using a single-byte read instruction, the value returned is simply the value of the low-order eight bits of the main timer counter. When the high-order byte of the TCNT register is read, the transparent buffer on the low-order byte of the TCNT register is inhibited for one bus cycle. In the case of a double-byte read of TCNT, the high-order byte is accessed first, which returns the high-order count value, and at the same time freezes the low-order count value buffer, which is read during the next bus cycle. This procedure ensures that the two bytes read from TCNT belong with each other. The count value that is returned on a double-byte read corresponds to the value of the free-running counter at the second-to-last cycle of the double-byte read instruction. This and other subtle timing details related to the main timer are discussed in [10.7 Timing Details for the Main Timer System](#).

10.4.1 Overall Clock Divider Structure

The following figures, registers, and paragraphs describe the major clock divider chains for the entire MCU system. The largest chain includes the 16-bit timer counter and its associated prescaler. Clocks for the pulse accumulator system, RTI, and COP watchdog branch off the main timer clocking chain. The alternative to tapping these slower clocks off the main timer chain would have been to build additional clock divider chains, which would have used expensive chip area. These taps off the main timer clocking chain have special circuitry to compensate for the main timer prescaler so that the clock frequency at these taps is independent of the prescale factor. These postscaler circuits make it practical to share portions of the timer clocking chain in a way that still allows the rates of the various systems to be selected independent of each other.

A relatively complex block of logic divides the 4× oscillator clock down to the internal phase 2 (PH2) clocks and the external E clock. The address strobe (AS) signal for demultiplexing the low-order address from data is also developed in this first oscillator divider block. Almost everything that happens inside the MCU is referenced to the internal PH2 clocks rather than the E clock, which lags 90° behind the internal PH2 clocks. Users who are familiar with the older MC6800 and MC6801 Families should note that this phase shift between E and PH2 is different from what they are used to. From an external point of view, they can still think of bus cycles as starting and ending on falling edges of E, but they will notice a big improvement in address and data hold times relative to this edge.

Figure 10-3 shows idealized timing relationships for the clocks and AS that are developed in the initial oscillator divider block. Since this section is devoted to the main timer system, these clocks will not be discussed in any great detail; **Figure 10-3** is presented for reference only. For more information concerning these signals, refer to **Section 2. Pins and Connections** and **Figure 7-12. Summary of Idealized Port C Expanded Mode Timing**.

The logic associated with the stop power-saving mode also contributes to the complexity of the initial oscillator divider block. When the stop mode is exited, the internal clocks resume before the external E clock starts.

The pulse accumulator can be clocked by an external source (event counting mode) or an internal source (time accumulation mode). The internal clocking source is an $E \div 64$ rate clock, which is tapped off of the main timer clocking chain. The pulse accumulator is described in more detail in [Section 11. Pulse Accumulator](#), but the $E \div 64$ tap is discussed in this section since it is tapped off the main timer. The pulse accumulator tap is also used to inhibit write permission to the time-protected control registers and bits. Certain registers and bits, such as the timer prescaler control bits in the TMSK2 register, can be written only within the first 64 E-clock cycles after reset.

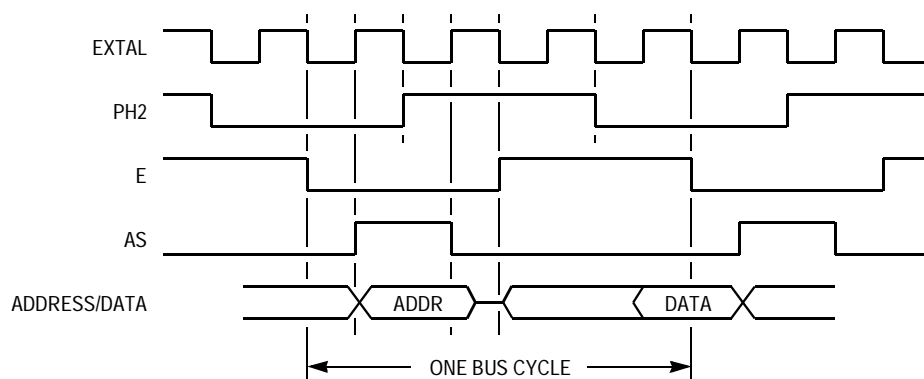


Figure 10-3. Timing Summary for Oscillator Divider Signals

The divider chains for the serial peripheral interface (SPI) clock rate and the serial communications interface (SCI) baud-rate generator are the last two major clock divider chains in the MCU. The 4,064 bus-cycle oscillator startup delay at power-up and after stop is derived from the SCI baud-rate counter. Like the main timer divider chain, this divider is free running and uninterruptable except by special commands available only in special test modes.

[Figure 10-4](#), which illustrates all of the major clock divider chains in the MC68HC11A8, will help the user understand how the timer fits into the overall MCU system. The main timer counter and its prescaler and derived clock chains for RTI and COP watchdog are described in more detail in subsequent paragraphs.

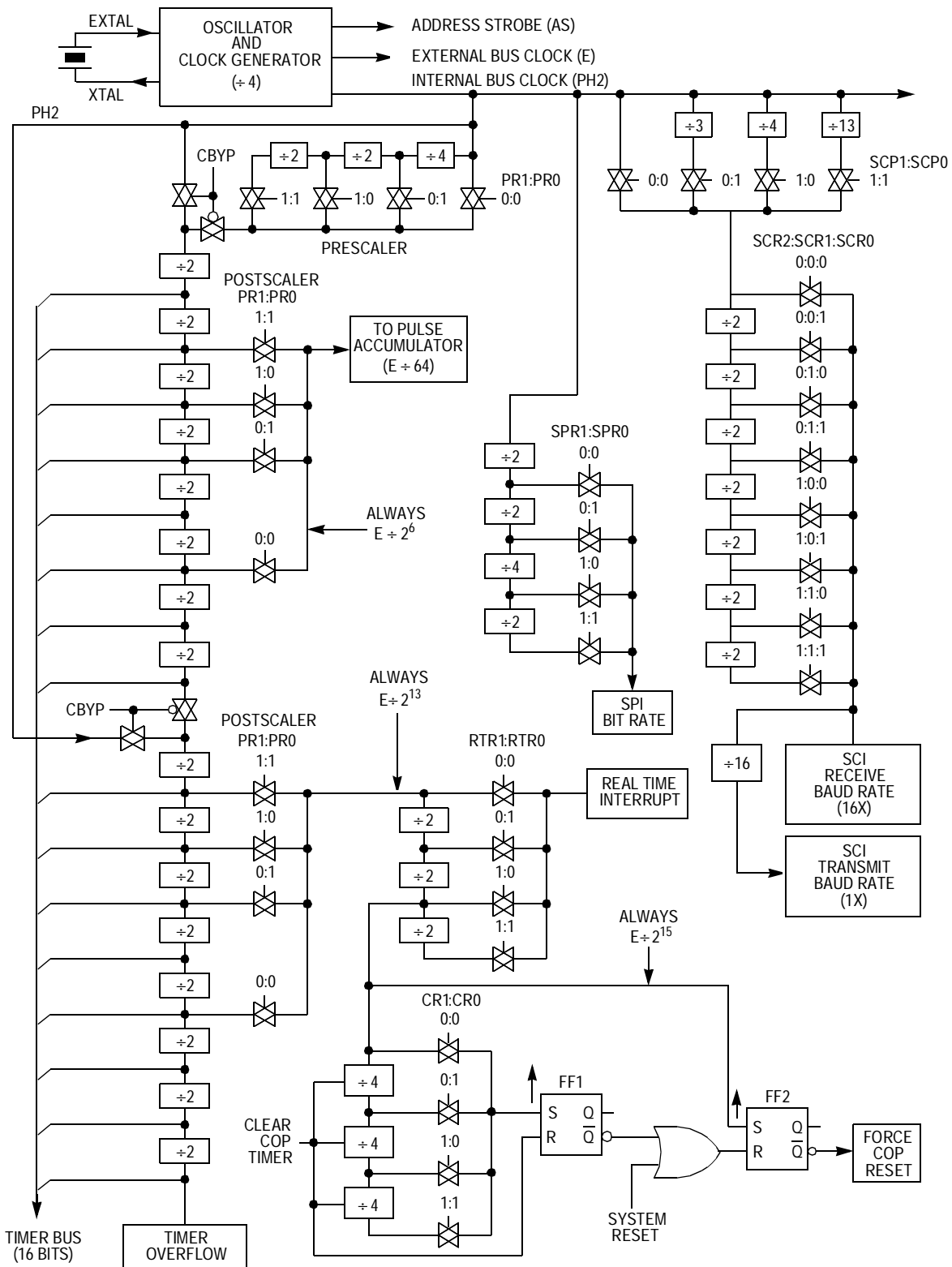


Figure 10-4. Major Clock Divider Chains in the MC68HC11A8

10.4.1.1 Prescaler

A programmable prescaler allows the user to select one of four clocking rates to drive the 16-bit main timer counter. This choice allows the programmer to make a trade-off between timer resolution and timer range. The default fastest rate causes the main timer counter to clock at the E-clock rate, which results in a timer resolution of 500 ns and a timer range of 32.77 ms between overflows (for E = 2 MHz). The slowest rate (largest prescale factor) causes the main timer counter to clock at an $E \div 16$ rate, which results in timer resolution of 8 μ s and a timer range of 524.3 ms between overflows (for E = 2 MHz).

The timer range is important because the software needed for timing functions is more complex if timer overflows must be considered. If time periods are known to be less than the time between successive overflows, then the overflows can be ignored, and time periods are calculated using simple 16-bit arithmetic instructions (even if an overflow occurs within the timed period). The overflow from 16-bit arithmetic instructions behaves just like an overflow from the 16-bit counter. To illustrate this point, if the timer counter is near its maximum count ($\$FFF0$) and an output compare is desired in 100_{10} cycles, add $\$FFF0$ plus $\$0064$ (modulo $\$FFFF$) to get $\$0054$ (in base 10 modulo 65,536, that would be $65,520 + 100 = 84$). Then write this result ($\$0054$) to an output-compare register. In 100 cycles, the timer counter will have overflowed and counted up to $\$0054$ where the output compare will occur. When overflow has to be considered, timing calculations become much more complicated.

Another factor to consider in selecting the prescaler rate is power consumption. Since CMOS power consumption is directly proportional to its frequency of operation, power is saved by reducing frequency. The amount of logic driven by the prescaled timer clock is fairly small compared to the amount of logic driven by the PH2 clock, but some savings will still result from selecting a slower count rate.

The user should consider resolution needed and the longest time period needed (or the length of the longest pulse needed). As an example, consider measuring periods between 10 ms and 100 ms. For an E-clock frequency of 2 MHz, a prescale division factor of 4 would result in a timing range of 131.1 ms; therefore, overflows could be ignored in

calculations. Since the resolution would be 2 μ s, an error of one count would represent an error of 0.02 percent of the shortest expected pulse (10 ms). For most applications, this accuracy is more than required.

When software has to handle overflows, the latency and execution time of the overflow service routine can become a factor in the overall accuracy of timer output functions. For example, consider the case where an output compare coincidentally occurs shortly after a timer overflow. In the most straightforward approach to generating pulses that are longer than the range of the timer counter, the output compare is not rescheduled until after a certain number of overflows. If the output compare occurs on a very low counter value (shortly after an overflow), the value could pass by while the overflow routine is being executed. Since the desired time for the output compare has already passed, the output compare is forced rather than being scheduled. Because this forced compare is subject to software latencies rather than being strictly referenced to the timer counter, an error will occur in the timing of the generated output signal. These errors can be avoided by careful software treatment; however, this example demonstrates some of the costs of using an unnecessarily small prescaler value.

Figure 10-5 and the following paragraphs explain the prescaler select bits, PR1 and PR0, which are in the timer mask register 2 (TMSK2). The other bits in this register are not related to the timer prescaler.

Address: \$1024 — Timer Mask Register 2 (TMSK2)

	Bit 7	6	5	4	3	2	1	Bit 0
Read:	TOI	RTII	PAOVI	PAII	0	0	PR1	PR0
Write:								
Reset:	0	0	0	0	0	0	0	0

Figure 10-5. Prescaler Select Bits (PR1 and PR0)

PR1–PR0 — Timer Prescaler Select Bits

These two bits select the prescale rate for the main 16-bit free-running timer system. **Table 10-1** shows the relationship between the prescale factor and the value of these control bits. A prescale factor of one corresponds to an $E \div 1$ rate for the main timer; whereas, a

prescale factor of 16 corresponds to a timer count rate of $E \div 16$. In normal modes, this prescale rate can be changed only once within the first 64 bus cycles after reset, and the resulting count rate stays in effect until the next reset.

Table 10-1. Crystal Frequency versus PR1 and PR0 Values

PR1	PR0	Prescale Factor	Crystal Frequency		
			2 ²³ Hz	8 MHz	4 MHz
			One Count (Resolution)/Overflow (Range)		
0	0	1	477 ns/31.25 ms	500 ns/32.77 ms	1 μ s/65.54 ms
1	0	4	191 μ s/125 ms	2 μ s/131.1 ms	4 μ s/262.1 ms
1	0	8	3.81 μ s/250 ms	4 μ s/262.1 ms	8 μ s/524.3 ms
1	1	16	7.63 μ s/0.5 s	8 μ s/524.3 ms	16 μ s/1.049 s
			2.1 MHz	2 MHz	1 MHz
Bus Frequency (E Clock)					

10.4.1.2 Overflow

In cases where periods greater than the range of the timer counter have to be measured or produced, the timer overflow must be used, which is similar to measuring times greater than 60 seconds by using the seconds display of a digital clock. The minute and hour displays can be thought of as software counters, which extend the range of the seconds counter. Each time the seconds counter overflows (goes from 59 to 0), the minutes counter is incremented. If a period less than 60 seconds is desired, add (modulo 60) the desired number of seconds to the starting time to get the ending time.

In the MC68HC11A8, the timer overflow flag (TOF) status bit is set each time the timer counter overflows from \$FFFF to \$0000. This bit can optionally generate an automatic interrupt request each time it is set by setting the timer overflow interrupt (TOI) enable bit in the timer mask register 2 (TMSK2). Software must acknowledge that it has seen the overflow condition by clearing the TOF status indicator. The free-running counter continues to run even if the TOF status indicator is not cleared. If overflow indications are not important to a particular application, they may be ignored.

Figure 10-6, **Figure 10-7**, and the following paragraphs describe the TOF status bit and the TOI interrupt enable. The other bits in these registers are not associated with the timer overflow.

Address: \$1024 — Timer Mask Register 2 (TMSK2)

	Bit 7	6	5	4	3	2	1	Bit 0
Read:	TOI	RTII	PAOVI	PAII	0	0	PR1	PR0
Write:								
Reset:	0	0	0	0	0	0	0	0

Figure 10-6. Timer Overflow Interrupt Enable Bit (TOI)

Address: \$1025 — Timer Flag Register 2 (TFLG2)

	Bit 7	6	5	4	3	2	1	Bit 0
Read:	TOF	RTIF	PAOVF	PAIF	0	0	0	0
Write:								
Reset:	0	0	0	0	0	0	0	0

Figure 10-7. Timer Overflow Flag Bit (TOF)

TOI — Timer Overflow Interrupt Enable Bit

TOF —Timer Overflow Flag

The TOF status bit is automatically set to 1 each time the free-running 16-bit counter rolls over from \$FFFF to \$0000. This status bit is cleared by writing to the TFLG2 register with a 1 in the corresponding data bit position (bit 7). The TOI control bit allows the user to configure the timer overflow for polled or interrupt-driven operation but does not affect the setting or clearing of the TOF bit. When TOI is 0, timer overflow interrupts are inhibited, and the timer overflow is operating in a polled mode. In this mode, the TOF bit must be polled (read) by user software to determine when an overflow has occurred. When the TOI control bit is 1, a hardware interrupt request is generated whenever the TOF bit is set to 1. Before leaving the interrupt service routine, software must clear the TOF bit by writing to the TFLG2 register (see [10.4.4 Tips for Clearing Timer Flags](#)).

10.4.1.3 Counter Bypass (Test Mode)

In special modes of operation (test and bootstrap), a counter bypass function simplifies testing of the main timer functions. This function is activated by writing a 1 to the counter bypass (CBYP) control bit in the TEST1 control register, which can be written only in the special modes. When CBYP is 1, the main timer counter is reconfigured so that the prescaler is bypassed and the upper and lower halves of the 16-bit counter are simultaneously driven by the internal PH2 clock. This dramatically reduces testing time for the main timer.

The functions that are tapped off of the main timer would have erroneous timing while the CBYP function is enabled. Since this configuration is only possible in special test modes, it does not interfere with any use of the systems in normal modes.

10.4.2 Real-Time Interrupt (RTI) Function

The RTI function can be used to generate hardware interrupts at a fixed periodic rate. A common software practice is to organize the routines that compose the software for an application into a sequence of major subroutine calls. The length of time required to execute all of the routines is a variable, which depends on how much each routine had to do, but the worst-case time to execute the entire sequence of routines should be known. After completing a pass through all the routines, software enters a delay mode until a time reference signal is detected. Upon detecting this signal, a jump is performed to the top of the sequence, and all the subroutines are again executed in sequence. By knowing the time between successive time reference signals, a routine can measure real time by noting the number of times it is executed and multiplying by the time between successive time reference signals (in this case, the RTI period).

In the MC68HC11A8, the RTI system can be used to provide this periodic time reference signal. To accommodate the needs of a variety of applications, four different rates are available for the RTI signal. These rates are a function of the MCU oscillator frequency and the value of two software-accessible control bits (RTR1 and RTR0). Although the rate

can be changed at any time, it is typically established shortly after reset and left alone.

The clock source for the RTI function is a free-running clock that cannot be stopped or interrupted. This clock causes the time between successive RTI timeouts to be a constant, which is independent of the software latencies associated with flag clearing and service. Thus, an RTI period starts from the previous RTI timeout, not from when RTIF is cleared.

The most common problem users encounter with the RTI system is that they forget to clear RTIF after it is recognized. If the flag is not cleared by a specific software write to the TFLG2 register, it will already be pending the next time it is checked. If the system is being used in an interrupt-driven mode, the interrupt will be requested and serviced immediately after the return-from-interrupt (RTI) instruction is executed at the end of the RTI service routine. This sequence results in a system lockup where the RTI service routine is executed continuously to the exclusion of all else. The only way out of this infinite loop is a system reset. If the RTI system is operating in a polled mode, the main routine sequence will operate correctly the first time and wait until RTIF is set the first time. As soon as RTIF is set, the jump is executed back to the top of the sequence as expected. The routines will be executed the second time and software should wait for the end of the next RTI period, but, since RTIF is still set, software thinks the RTI period has already expired. The result will be that the main sequence is repeated too quickly.

Figure 10-8, **Figure 10-9**, and the following paragraphs explain the RTI flag and RTI enable. The other bits in these registers are not related to the RTI system.

Address: \$1024 — Timer Mask Register 2 (TMSK2)

	Bit 7	6	5	4	3	2	1	Bit 0
Read:	TOI	RTII	PAOVI	PAII	0	0	PR1	PR0
Write:								
Reset:	0	0	0	0	0	0	0	0

Figure 10-8. Real-Time Interrupt Enable Bit (RTII)

Address: \$1025 — Timer Flag Register 2 (TFLG2)

	Bit 7	6	5	4	3	2	1	Bit 0
Read:	TOF	RTIF	PAOVF	PAIF	0	0	0	0
Write:								
Reset:	0	0	0	0	0	0	0	0

Figure 10-9. Real-Time Interrupt Flag (RTIF)

RTII — Real-Time Interrupt Enable Bit

RTIF — Real-Time Interrupt Flag

The RTIF status bit is set to 1 automatically at the end of every RTI period. This status bit is cleared by writing to the TFLG2 register with a 1 in the corresponding data bit position (bit 6). The RTII control bit allows the user to configure the RTI system for polled or interrupt-driven operation but does not affect the setting or clearing of RTIF. When RTII is 0, interrupts are inhibited, and the RTI system is operating in a polled mode. In this mode, the RTIF bit must be polled (sampled) by user software to determine when an RTI period has elapsed. When the RTII control bit is 1, a hardware interrupt request is generated each time RTIF is set to 1. Before leaving the interrupt service routine, software must clear RTIF by writing to the TFLG2 register (see [10.4.4 Tips for Clearing Timer Flags](#)).

Figure 10-10 and the following paragraphs explain the RTI rate select bits in the pulse accumulator control register (PACTL). The other bits in this register are not related to the RTI system.

Address: \$1026 — Pulse Accumulator Control Register (PACTL)

	Bit 7	6	5	4	3	2	1	Bit 0
Read:	DDRA7	PAEN	PAMOD	PEDGE	0	0	RTR1	RTR0
Write:								
Reset:	0	0	0	0	0	0	0	0

Figure 10-10. Real-Time Interrupt Rate Select Bits (RTR1 and RTR0)

RTR1 and RTR0 — Real-Time Interrupt Rate Select Bits

These two bits determine the rate at which interrupts will be requested by the RTI system. The RTI system is driven by an $E \div 2^{13}$ rate clock compensated so that it is independent of the timer prescaler. These two control bits select an additional division factor. **Table 10-2** shows the RTI rates that result for various combinations of crystal frequency and RTI rate-select control bit values. RTI is set to its fastest rate by default out of reset and may be changed at any time.

Table 10-2. RTI Rates versus RTR1 and RTR0 for Various Crystal Frequencies

RTR1	RTR0	$E \div 2^{13}$ Divided By	Crystal Frequency		
			2 ²³ Hz	8 MHz	4 MHz
			Nominal RTI Rate		
0	0	1	3.91 ms	4.10 ms	8.19 ms
0	1	2	7.81 ms	8.19 ms	16.38 ms
1	0	4	15.62 ms	16.38 ms	32.77 ms
1	1	8	31.25 ms	32.77 ms	65.54 ms
			2.1 MHz	2 MHz	1 MHz
Bus frequency (E clock)					

10.4.3 Computer Operating Properly (COP) Watchdog Function

The COP watchdog function is only superficially related to the main timer system. The clocking chain for the watchdog function is tapped off of the main timer divider chain. **Figure 10-4** illustrates how the COP clock is derived from the main timer clocking chain. Although the COP clocking chain is discussed briefly, the COP system is explained in greater detail in **Section 5. Resets and Interrupts**.

The counter stages up to the $E \div 2^{15}$ tap have no reset input; whereas, the divider stages after this tap are reset each time the COP clearing sequence is executed (see **Figure 10-4**). This structure determines the uncertainty of the COP timeout period because software has no practical way of knowing when the first clocking edge will appear at the $E \div 2^{15}$ tap relative to the COP clearing sequence. For a bus frequency of 2 MHz (E), the first clock can appear at the $E \div 2^{15}$ tap anywhere between ~0 to 16.4 ms after a COP clearing sequence. This tolerance or uncertainty depends on the bus frequency (E) but does not vary with respect to the rate selects (CR1 and CR0).

Figure 10-11 and the following paragraphs explain the COP timer rate select bits located in the options control register (OPTION). The other bits in this register are not related to the main timer system or the COP system.

Address: \$1039 — Options Control Register (OPTION)

	Bit 7	6	5	4	3	2	1	Bit 0
Read:	ADPU	CSEL	IRQE	DLY	CME	0	CR1	CR0
Write:								
Reset:	0	0	0	0	0	0	0	0

Figure 10-11. COP Timer Rate Select Bits (CR1 and CR0)

CR1 and CR0 — COP Timer Rate Select Bits

The MCU internal E clock is first divided by 2^{15} before it enters the COP watchdog system. The CR1 and CR0 control bits regulate a further scaling factor for the watchdog timer as shown in **Table 10-3**. The columns at the right of the table show the resulting watchdog

timeout periods for three typical oscillator frequencies. After reset, the timeout period is configured for the shortest timeout period by default. In normal operating modes, these bits can be written only once, and that write must be within 64 bus cycles after reset.

Table 10-3. COP Timeout versus CR1 and CR0 Values

CR1	CR0	E ÷ 2 ¹⁵ Divided By	Crystal Frequency		
			2 ²³ Hz	8 MHz	4 MHz
			Nominal Timeout		
0	0	1	15.625 ms	16.384 ms	32.768 ms
0	1	4	62.5 ms	65.536 ms	131.07 ms
1	0	16	250 ms	262.14 ms	524.29 ms
1	1	64	1 s	1.049 s	2.1 s
			2.1 MHz	2 MHz	1 MHz
			Bus frequency (E clock)		

10.4.4 Tips for Clearing Timer Flags

The most common method of clearing a status flag bit in the timer flag registers is to load an accumulator with a mask that has a 1 in the bit(s) corresponding to the flag(s) to be cleared; then write this value to TFLG1 or TFLG2. A bit clear (BCLR) instruction can also be used to clear a flag in TFLG1 or TFLG2. The mask, which is supplied with the BCLR instruction, should have 0s in the bit positions corresponding to the flags to be cleared and 1s in all other bits. To clear the TOF flag, execute BCLR TFLG2 with a mask of %01111111. The BCLR instruction will read TFLG2, AND it with the inverse of the supplied mask (%10000000 in this case), and write the result back to TFLG2. The condition of the other flags in the register is not important, even if they become set in the middle of the BCLR instruction, because the write cycle of the instruction will write 0s to all bits except those corresponding to flags that are to be cleared. Writing a 0 to a bit corresponding to a flag that is set does not disturb the flag.

It is not appropriate to use the bit set (BSET) instruction to clear flags in the timer flag registers because this could inadvertently clear one or more of the other flags in the register. Again, consider the case of

clearing the TOF bit. Suppose RTIF is set after the TOF interrupt is recognized but before the BSET instruction is started. The BSET instruction is a read-modify-write instruction that reads the operand, ORs this with a mask having 1s in the bit(s) to be set, and writes the resulting value back to the operand address. Using this instruction on TFLG1 or TFLG2 will clear all flags that are set at the time the operand (in this case, the TFLG2 register) is read.

Many instruction sequences can be used to clear timer flags. In general, each sequence takes a different number of bytes of object code and a different number of cycles of execution time. The best sequence depends on a number of factors, including (but not limited to) whether the user wants minimum execution time or minimum program memory space. In many cases, the subtle differences in program size and execution time are unimportant, and any of the sequences shown would be equally acceptable. Some sequences require registers to be in the direct addressing mode memory space (\$0000–\$00FF), which is not practical in many applications. Since other sequences use indexed addressing, their efficiency will depend on whether the index register already points to the register space (extra instructions and time are required if the index register has to be changed). [Table 10-4](#) illustrates seven different instruction sequences that could be used to clear the TOF status bit in TFLG2.

Table 10-4. Instruction Sequences to Clear TOF

Instruction Sequence	Opcode	Operand(s)	Address Mode	Bytes	Cycles	Total Sequence	
						Bytes	Cycles
1	LDAA	#\$80	(IMM)	2	2	4	5
	STAA	<TFLG2	(DIR)	2	3		
2	BCLR	<TFLG2 \$7F	(DIR)	3	6	3	6
3	LDAA	#\$80	(IMM)	2	2	5	6
	STAA	TFLG2	(EXT)	3	4		
4	LDAA	#\$80	(IMM)	2	2	4	6
	STAA	TFLG2,X	(IND,X)	2	4		
5	BCLR	TFLG2,X \$7F	(IND,X)	3	7	3	7
6	LDAA	#\$80	(IMM)	2	2	5	7
	STAA	TFLG2,Y	(IND,Y)	3	5		
7	BCLR	TFLG2,Y \$7F	(IND,Y)	4	8	4	8

10.5 Input-Capture Functions

Each input-capture function includes a 16-bit latch, input edge-detection logic, and interrupt generation logic. The 16-bit latch captures the current value of the free-running counter when a selected edge is detected at the corresponding timer input pin. The edge-detection logic includes control bits so that user software can select the edge polarity that will be recognized. Each of the three input-capture functions can be independently configured to detect rising edges only, falling edges only, or any edge (rising or falling). The interrupt generation logic includes a status flag, which indicates that an edge has been detected, and a local interrupt enable bit, which determines whether the corresponding input-capture function will generate a hardware interrupt request. If the interrupt request is inhibited, the input capture is operating in polled mode where software must read the status flag to recognize that an edge was detected.

Input-capture edges are generally asynchronous to the internal timer counter, which is clocked relative to the PH2 clock. These asynchronous capture requests are then synchronized to PH2 so that the actual latching will occur on the opposite half cycle of PH2 from when the timer counter is being incremented. This synchronization process introduces a delay from when the actual edge occurs to when the counter value is latched. In almost all cases, this very short delay should be ignored. When the time between two edges is being measured, both edges are subject to the same delay; therefore, these delays will offset each other. When an input capture is being used in conjunction with an output compare, there will be a similar delay between the actual compare point and when the output pin actually changes state. When a prescale factor other than 1 is being used, the capture delay is smaller than the uncertainty due to timer resolution. Detailed information about timer system delays is given in [10.7 Timing Details for the Main Timer System](#).

The central element of each input-capture function is the input-capture latch, which can be read by software as a pair of 8-bit registers (see [Figure 10-12](#)). The TICx registers are not affected by reset and cannot be written by software. When an edge has been detected and synchronized, the 16-bit free-running counter value is transferred into the input-capture register pair as a single 16-bit parallel transfer.

Main Timer and Real-Time Interrupt

Timer-counter value captures and timer-counter incrementing occur on opposite half cycles of the PH2 clock so that the count value is stable whenever a capture occurs. The input-capture functions operate independently of each other, and all three functions can capture the same 16-bit count value if the input edges are all detected within the same timer count cycle.

Address: \$1010 — Timer Interrupt Capture 1 Register (TIC1) High

	Bit 7	6	5	4	3	2	1	Bit 0
Read:	Bit 15	14	13	12	11	10	9	Bit 8
Write:								

Address: \$1011 — Timer Interrupt Capture 1 Register (TIC1) Low

	Bit 7	6	5	4	3	2	1	Bit 0
Read:	Bit 7	6	5	4	3	2	1	Bit 0
Write:								

Address: \$1012 — Timer Interrupt Capture 2 Register (TIC2) High

	Bit 7	6	5	4	3	2	1	Bit 0
Read:	Bit 15	14	13	12	11	10	9	Bit 8
Write:								

Address: \$1013 — Timer Interrupt Capture 2 Register (TIC2) Low

	Bit 7	6	5	4	3	2	1	Bit 0
Read:	Bit 7	6	5	4	3	2	1	Bit 0
Write:								

Address: \$1014 — Timer Interrupt Capture 3 Register (TIC3) High

	Bit 7	6	5	4	3	2	1	Bit 0
Read:	Bit 15	14	13	12	11	10	9	Bit 8
Write:								

Address: \$1015 — Timer Interrupt Capture 3 Register (TIC3) Low

	Bit 7	6	5	4	3	2	1	Bit 0
Read:	Bit 7	6	5	4	3	2	1	Bit 0
Write:								

Figure 10-12. Input-Capture Registers

A read of the high-order byte of an input-capture register pair inhibits a new capture transfer for one bus cycle. As long as a double-byte read instruction such as load D (LDD) is used to read input-capture values, the user is assured that the two bytes belong with each other. If a new input-capture occurs so that a transfer would have occurred immediately after the high-byte read, it will be delayed for one more cycle but will not be lost.

The latching action of an input-capture function occurs every time a selected edge is detected on the corresponding timer input pin (even if the corresponding input-capture flag is already set). This means that the value read from the input-capture register corresponds to the most recent edge at the pin, which may not be the edge that caused the input-capture flag to be set. In a few applications, there could be a number of closely spaced edges (for instance, an unfiltered bouncing switch contact). In cases where these extra captures are undesirable, software can write to the edge-select control bits to inhibit further captures until after the current capture has been handled.

Figure 10-13, **Figure 10-14**, and the following paragraphs explain the input-capture status flags and the local interrupt enable control bits for the input-capture functions.

Address: \$1022 — Timer Interrupt Mask 1 Register (TMSK1)

	Bit 7	6	5	4	3	2	1	Bit 0
Read:	OC1I	OC2I	OC3I	OC4I	OC5I	IC1I	IC2I	IC3I
Write:								
Reset:	0	0	0	0	0	0	0	0

Figure 10-13. Input Capture Interrupt Enable Bits (ICxI)

Address: \$1023 — Timer Interrupt Flag 1 Register (TFLG1)

	Bit 7	6	5	4	3	2	1	Bit 0
Read:	OC1F	OC2F	OC3F	OC4F	OC5F	IC1F	IC2F	IC3F
Write:								
Reset:	0	0	0	0	0	0	0	0

Figure 10-14. Input Capture Flags (ICxF)

ICxI — Input Capture Interrupt Enable Bits (x = 1, 2, or 3)

ICxF — Input Capture Flags (x = 1, 2, or 3)

The ICxF status bit is set to 1 automatically each time a selected edge is detected at the corresponding input-capture pin. This status bit is cleared by writing to the TFLG1 register with a 1 in the corresponding data bit position. The ICxI control bit allows the user to configure each input-capture function for polled or interrupt-driven operation but does not affect the setting or clearing of the corresponding ICxF bit. When ICxI is 0, the corresponding input-capture interrupt is inhibited, and the input capture is operating in a polled mode. In this mode, the ICxF bit must be polled (read) by user software to determine when an edge has been detected. When the ICxI control bit is 1, a hardware interrupt request is generated whenever the corresponding ICxF bit is set to 1. Before leaving the interrupt service routine, software must clear the ICxF bit by writing to the TFLG1 register (see [10.4.4 Tips for Clearing Timer Flags](#)).

10.5.1 Programmable Options

The user can program each input-capture function to detect a particular edge polarity on the corresponding timer input pin. A pair of control bits (EDGxB and EDGxA) in the timer control register 2 (TCTL2) are used to select the edge(s) detected by each input-capture function.

Address: \$1021

	Bit 7	6	5	4	3	2	1	Bit 0
Read:	0	0	EDG1B	EDG1A	EDG2B	EDG2A	EDG3B	EDG3A
Write:								
Reset:	0	0	0	0	0	0	0	0

Figure 10-15. Timer Control Register (TCTL2)

EDGxB and EDGxA — Input Capture Edge Control Bits (x = 1, 2, or 3)

These pairs of bits determine which edge(s) the input-capture functions will be sensitive to. These bit pairs are encoded as shown in [Table 10-5](#).

Table 10-5. EDGxB and EDGxA Encoding

EDGxB	EDGxA	Configuration
0	0	Capture disabled
0	1	Capture on rising edges only
1	0	Capture on falling edges only
1	1	Capture on any edge (rising or falling)

10.5.2 Using Input Capture to Measure Period and Frequency

Timer Examples 10-1(a) and 10-1(b) show how to measure a period using an input-capture function. A complete assembly listing for all timer section examples is shown in [10.8 Listing of Timer Examples](#). Timer Example 10-1(a) measures the time between two successive rising edges on an input signal at the PA2/IC1 pin. This program uses the input-capture function in polled mode for demonstration because it is a little simpler than the interrupt-driven operation. Other examples in this section will demonstrate interrupt-driven operation, which is often a more flexible approach because the MCU can be performing other tasks while waiting for a particular timer event.

Example 10-1(b) changes the period obtained from Example 10-1(a) into a frequency to display the results in a more familiar form. Also, support routines are provided to convert hexadecimal numbers into decimal numbers. When running the example, a period is measured at the IC1 pin and displayed as a decimal period (in E cycles) and as a frequency (in Hz). After printing the result, the program returns to its start and repeats continuously. Depending on the display-device speed and the signal at IC1, a screen can be filled with results very quickly. To stop, just press the reset button on the EVB board.

[Figure 10-16](#) shows the critical instructions in the measurement of the period of the signal at the PA2/IC1 pin. The numbers in square brackets in the listings indicate the number of MCU E cycles needed to execute each instruction. This information is used in the timing analysis presented in [Figure 10-17](#).

Main Timer and Real-Time Interrupt

```

c00e 1f 23 04 fc    [7]    * Ready to detect first rising edge
                          BRCLR TFLG1,X,$04 *Loop here until edge

                          * First edge detected
c012 ec 10          [5]    LDD    TIC1,X    Read time of first edge
c014 fd d0 0d      [5]    STD    FRSTE    Save first capture value
c017 86 04          [2]    LDAA   #$04
c019 a7 23          [4]    STAA   TFLG1,X  Clear IC1F before next edge

c01b 1f 23 04 fc    [7]    * Ready to capture time of second edge
                          BRCLR TFLG1,X,$04 * Loop here until edge

                          * Second edge detected
c01f ec 10          [5]    LDD    TIC1,X    Read time of second edge
c021 b3 d0 0d      [6]    SUBD   FRSTE    2nd - 1st -> D
c024 fd d0 0f      [5]    STD    PERC    Save result (period in cycles)

```

Figure 10-16. Measuring a Period with Input Capture

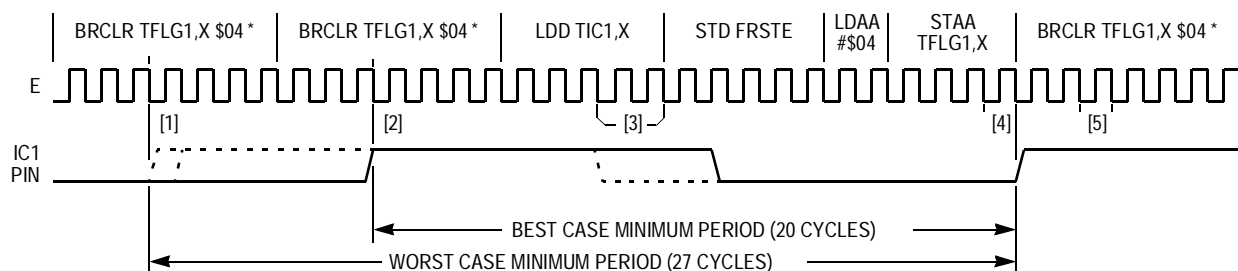


Figure 10-17. Timing Analysis for Example 10-1

The timing analysis for Example 10-1 is shown in [Figure 10-17](#), which is very detailed to show exactly what occurs in an input capture. Software instructions are used to read the first captured value, to prepare for the second capture, and to reset the input-capture flag. These instructions require a finite amount of time. If the period of the signal being measured is too short, the second edge can come before the program is ready for it. This period will determine the highest frequency that can be measured with this example program. If the signal period being measured is longer than the range of the 16-bit timer counter, then two periods, which are exactly one overflow time apart, are not distinguishable. Since this program does not consider overflows, this period will determine the lowest frequency that can be measured with this program. These limitations are program limits, and, as shown in other examples, the

input-capture functions can be used to measure much shorter or much longer periods.

As shown in Example 10-1(a), the CPU repeats the BRCLR instruction continuously, waiting for the first rising edge. Since the edge is asynchronous to the program execution, where the edge will occur relative to this program is uncertain. This uncertainty leads to a best-case and a worst-case minimum period that can be measured by this program. The worst case arises if the edge is detected too late to be seen by the BRCLR instruction at [1]. The best case arises when the edge is detected in time to be seen by the BRCLR instruction at [2]. From the cycle-by-cycle description of the BRCLR instruction, the read of the operand (TFLG1 register in this case) is shown to occur in the third cycle of the instruction. The captured value is read during the last two cycles of the LDD instruction at [3], and the IC1F status flag is cleared during the last cycle of the STAA TFLG1,X instruction at [4]. Although a new capture could occur between [3] and [4], it would be cleared by the STAA at [4] and would not be recognized by the program. The earliest place the second edge could occur and be properly handled is during the cycle after the status flag clear instruction [4].

This timing analysis is based on a detailed knowledge of timer logic and instruction timing. Instruction timing tells which cycle within the instruction actually reads or writes a register. Instruction details can be found in [Appendix A. Instruction Set Details](#). Detailed information concerning timer captures is given in [10.7 Timing Details for the Main Timer System](#). For most applications, it is not necessary to study the timing in this much detail, but at least one detailed example should be studied.

Example 10-1(b), which converts the period from Example 10-1(a) into frequency, is more of a demonstration of FDIV and XGD_X than anything else. In a real application, the user would normally work with the period value rather than converting it to a frequency. Some shortcuts were taken since the results were not that critical. For example, the partial sums were truncated rather than rounding or extending the precision of the calculations. Although these shortcuts lead to small errors in the results, these errors were not important, considering the resolution of the measurements. To measure the frequency of an incoming signal, a user

could accumulate the time of many cycles of the signal and calculate an average period, which would yield much finer resolution than the single-cycle measurement taken in Example 10-1.

After working with the timer and pulse accumulator for a while, a good exercise might be to develop a way to measure the signal frequency to five digits of accuracy. The following discussion presents a proposed technique that could be tried, although it has not been proven. First, connect the signal to the pulse accumulator input and to an input-capture input. Capture the time of a first edge and start the pulse accumulator at a count of 256 minus 200. While waiting for 199 cycles of the incoming signal, monitor timer overflows, like Example 10-3 does, because 200 cycles of the signal are very likely to take longer than one timer overflow. When the pulse accumulator has counted 199 cycles of the signal, clear the input-capture flag and wait for a capture of the time of the 200th cycle. From the number of overflows and the difference between the final capture value and the first capture value, the user can determine the period of 200 cycles of the incoming signal. Finally, convert this into frequency. The accuracy is basically one E cycle in 200 cycles of the signal, which corresponds to about ± 1 Hz at 20 kHz, and the accuracy improves for lower frequencies. For very low frequencies, it is not necessary to measure many periods to get the accuracy. Try to include a preliminary trial measurement to decide how many cycles should be measured to get the needed accuracy (auto ranging).

10.5.3 Using Input Capture to Measure Pulse Width

Timer Example 10-2 shows how to measure a pulse width with an input capture, which is almost the same as measuring a period, except that the input-capture edge sensitivity must be reconfigured between the capture of the first edge and the second edge. Since this particular program measures the period of a high-going pulse, the input capture is first configured to capture on a rising edge at the input. After detecting the first edge, the input capture is reconfigured to detect a falling edge.

Since this program is interrupt driven, it must have an interrupt service routine, which is automatically called as a result of an interrupt, an initialization portion, and a mainline program portion. Since this example

is only demonstrating the input-capture function, the mainline program will be a trivial 2-instruction loop that repeats until a pulse has been measured. In a practical application, the mainline portion would be everything other than initialization and interrupt service routines.

This example is intended to run on an M68HC11EVB evaluation board; thus, the interrupt vector will be treated in a somewhat unusual way. The actual interrupt vector for input capture 1 is at \$FFEE and \$FFEF, which is in the monitor program EPROM on the EVB board. To allow use of these vectors, they have been initialized to point at specific RAM locations called pseudo-vectors. To use a vector, put a jump (JMP) instruction to the address of the interrupt service routine at the RAM pseudo-vector locations (\$00E8, E9, and EA for timer input-capture 1).

In a normal application, the address of the service routine would be hard coded into the double-byte vector location rather than writing a jump instruction into RAM during initialization. For additional information about interrupts, see [Section 5. Resets and Interrupts](#).

The partial listing shown in [Figure 10-18](#) depicts the important parts of the pulse-width measurement illustrated in Example 10-2.

A detailed timing analysis for Example 10-2 is shown in [Figure 10-19](#). Unlike the previous example, interrupt latencies must be considered to determine the minimum pulse width that can be measured by this program. The instructions in the main program do not affect the minimum measurable pulse except that the execution time of the longest instruction executing at the time of the interrupt determines the longest possible latency from an input-capture edge to when it can be serviced. The interrupt operation does not begin until the currently executing instruction is completed. If the pulse width being measured is too short, the second edge can come before the program is ready for it. This time will determine the shortest pulse that can be measured with this example program. As in the previous example, if the signal being measured is longer than the range of the 16-bit timer counter, then two pulse widths, which were different by an exact multiple of the overflow period, are not distinguishable. Since this program does not consider overflows, the overflow period of the 16-bit timer will determine the longest pulse that can be measured correctly with this program. These limitations are program limits and, as shown in other examples, the input-capture functions can be used to measure much shorter or much longer times.

Main Timer and Real-Time Interrupt

```

*** initialization - (see full listing) ***

c09c ce 10 00      [3] PWTOP LDX    #REGBAS      Point to register block
c09f 86 10         [2]      LDAA    #%00010000    EDG1B:EDG1A = 0:1,
c0a1 a7 21         [4]      STAA    TCTL2,X      IC1 rising edges
c0a3 86 ff         [2]      LDAA    #$FF
c0a5 b7 d0 06      [4]      STAA    IC1MOD      FF-off; 0-1st edge; 1-last edge
c0a8 7f d0 05      [6]      CLR     IC1DUN      Signal pulse not done
c0ab 1d 23 fb      [7]      BCLR    TFLG1,X $FB    clear IC1F (if any)
c0ae 1c 22 04      [7]      BSET    TMSK1,X $04    enable IC1 interrupts
c0b1 03            [2]      CLI
c0b2 b6 d0 05      [4] WAITL2LDAA  IC1DUN      Sets after pulse done
c0b5 27 fb         [3]      BEQ     WAITL2      Tight loop till pulse has been timed
c0b7 0f            [2]      SEI
c0b7 0f            [2]      SEI

*** display results - (see full listing) ***

***
* SV2IC1 - Input Capture 1 service routine
*
* Called first when a rising edge is detected and again when
* a falling edge is detected.
***

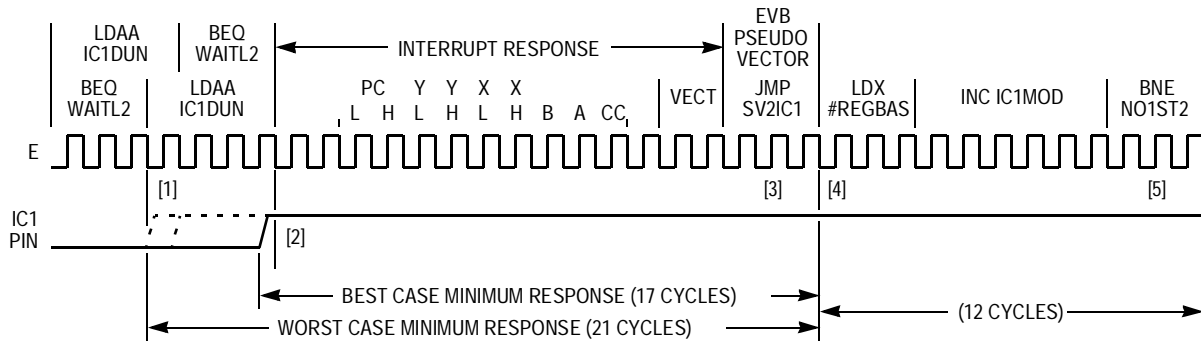
c0d8 ce 10 00      [3] SV2IC1LDX    #REGBAS      point at top of register block
c0db 7c d0 06      [6]      INC     IC1MOD      $FF->0 at 1st edge; 0->1 at 2nd
c0de 26 0d         [3]      BNE    NO1ST2      if not 0, this is trailing edge

* Process leading edge of pulse
c0e0 ec 10         [5]      LDD     TIC1,X      read time of first edge
c0e2 fd d0 0d      [5]      STD     FRSTE      save till next capture
* Reconfigure IC1 for trailing falling edge
c0e5 1d 21 30      [7]      BCLR    TCTL2,X $30    EDG1B:EDG1A->0:0
c0e8 1c 21 20      [7]      BSET    TCTL2,X $20    EDG1B:EDG1A->1:0
c0eb 20 10         [3]      BRA     OU2IC1      done processing first edge

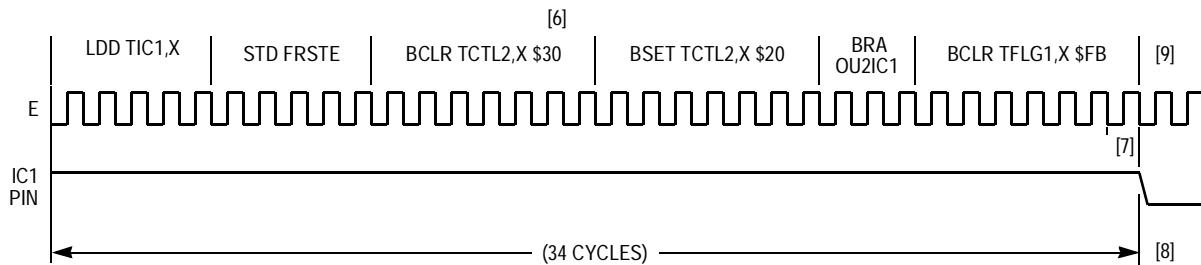
* Process trailing edge of pulse
c0ed ec 10         [5] NO1ST2LDD    TIC1,X      get time of trailing edge
c0ef b3 d0 0d      [6]      SUBD    FRSTE      time of last minus time of first
c0f2 fd d0 15      [5]      STD     HPW       update result
c0f5 1d 21 30      [7]      BCLR    TCTL2,X $30    disable IC1
c0f8 86 01         [2]      LDAA    #1
c0fa b7 d0 05      [4]      STAA    IC1DUN      signal pulse measured
c0fd 1d 23 fb      [7] OU2IC1BCLR  TFLG1,X $FB    clear IC1F
c100 3b            [12]     RTI
** Return from IC1 service **

```

Figure 10-18. Measuring a Pulse Width with Input Capture



(a) Leading Edge Latency



(b) Process First Edge, Earliest Opportunity for Second Edge

Figure 10-19. Timing Analysis for Example 10-2

As shown in Example 10-2, the CPU repeats the WAITL2 loop continuously, waiting for the first rising edge. Since the edge is asynchronous to the program execution, where the edge will occur relative to this program is uncertain. This uncertainty leads to a best-case and a worst-case minimum period that can be measured by this program. The worst case arises when the first edge is not recognized before the end of the BEQ WAITL2 instruction at [1]. In this worst case, the LDAA IC1DUN instruction would have to finish, which causes an extra 4-cycle delay. The best case arises when the edge is recognized just before the end of an instruction in the main program. In this best case, interrupt processing starts almost immediately. A more obscure possibility would exist if there were other lower priority interrupts enabled in the system. In that case, a lower priority interrupt could initiate stacking leading to the interrupt. The priority resolution to decide which vector to take does not occur until the stacking operations are finished. If the IC1 edge is recognized before the condition code register (CCR) is stacked, it will be serviced rather than the lower priority interrupt that

started the interrupt process. In this unusual case, the best-case minimum response could be much shorter. This case does not arise in Example 10-2 because no lower priority interrupts are enabled.

The response time in [Figure 10-19](#) is slightly longer than it would be for a normal program because of the pseudo-vector mechanism in the EVB board. The JMP instruction at [3] is not shown in Example 10-2 because it is actually constructed by program instructions during the initialization portion of this example program. This indirect vectoring is done in the EVB board because the vectors are located in the monitor EPROM and are not accessible to an EVB user. To allow use of the interrupts in an EVB, the vectors were purposely pointed at specific RAM locations called pseudo-vectors. A JMP instruction would be stored in these RAM locations, which points to the start of the interrupt service routine. In a normal application, the starting address of the interrupt service routine would be hard coded into the vector locations at the top of memory. When an interrupt occurs, the user would vector directly to the service routine rather than having to execute the extra JMP instruction.

The BNE NO1ST2 instruction at [5] will not branch during processing of the leading edge of the pulse being measured. Execution continues with the LDD instruction in [Figure 10-19\(b\)](#). The BCLR; BSET sequence at [6] is not as fast as a simple LDAA #, STAA TCTL2, but the longer sequence was chosen because it does not disturb the other bits in the register.

The earliest place the second edge could occur and be properly handled is during the cycle after the status flag clear instruction [7], which occurs before returning from the interrupt service routine after processing the leading edge of the pulse. If the second edge came before this time, it would still be captured, but the IC1F flag would be cleared by the clearing instruction intended to clear the flag from the first edge. The minimum pulse width that can be measured by this program would be the time from [1] or [2] through [7]. This time is a total of 63 to 67 cycles or about 34 μ s.

This timing analysis is based on this specific example running by itself in the EVB board and is not intended to show the smallest pulse that can be measured. Since no other tasks are being performed in this example, the interrupt latency is somewhat shorter than it would be in a realistic

system. In a normal system, the user would not have to work through the EVB's pseudo-vector mechanism and would save three cycles of latency time (because of the JMP in the pseudo-vector locations). Conversely, in a real system, the user could get this interrupt just as a multiply instruction had started; thus, there could be a wait of up to 10 cycles (MUL takes 10 cycles) for that instruction to finish before servicing the input-capture interrupt. Worse yet, the user may have just started servicing another interrupt source when the edge was recognized; thus, the input capture would have to wait for that interrupt service routine to be completed before it could be serviced. A much more detailed discussion of interrupts is presented in [Section 5. Resets and Interrupts](#). The shortest pulse the user would be able to measure in a realistic system will be a few hundred cycles rather than the few dozen cycles shown in this isolated example.

This timing analysis is based on a detailed knowledge of timer logic and instruction timing. Instruction timing tells which cycle within the instruction actually reads or writes a register. Instruction details can be found in [Appendix A. Instruction Set Details](#). Detailed information concerning timer captures is given in [10.7 Timing Details for the Main Timer System](#). Detailed operation of the interrupt mechanism is presented in [Section 5. Resets and Interrupts](#).

10.5.4 Measuring Very Short Time Periods

Since the MC68HC11A8 has three input-capture functions, it is theoretically possible to measure pulse widths as short as one timer count by connecting the signal to two input-capture pins. One input capture is configured to detect the leading edge of the pulse; whereas, the other is configured to detect the trailing edge. Although this function is possible, it is not commonly used.

10.5.5 Measuring Long Time Periods with Input Capture and Overflow

There are at least two ways to measure time periods that are longer than the range of the 16-bit free-running timer. The following paragraphs discuss an example based on input capture and counting timer overflows, which is accurate to ± 1 timer count (500 ns in this case). If

the user were measuring times in the seconds range to a resolution of ± 100 ms, a software approach might be easier than the input-capture/overflow method. In the software approach, the user sets up a real-time loop structure where the main program is executed once each tenth of a second. Other real-time periods could be used, but a tenth of a second is easier. The user starts a software counter when the signal first changes, increments the count once each time through the main loop, and stops the count at the end of a period. This method is very simple and yields an accuracy of ± 100 ms, which is quite reasonable for many applications.

To measure a time greater than the range of the 16-bit main timer counter with an input capture, timer overflows must be considered. A program is presented that extends the range of the timer to 24 bits by keeping track of overflows in an 8-bit software counter. By increasing the size of this software counter, the user could measure even longer periods. At 2-MHz bus speed and a divide-by-one prescale factor, 24 bits allow the user to measure periods up to about 8.38 s.

The most difficult part of this procedure is deciding whether to count an overflow when a capture occurs very close to a timer overflow. Given some assumptions, the user can tell if the capture happened before or after the overflow by looking at the MSB of the captured value. Once the user knows which happened first, the case can be treated accordingly.

First, assume that all timer overflow conditions ($TOF = 1$) will be handled before the MSB of the free-running counter becomes set again (that is, in less than half the time between successive overflows). If TOF and $ICxF$ are both set and the captured value has a 1 in its MSB, then the user knows the capture occurred before the overflow. Conversely, if TOF and $ICxF$ are both set and the captured value is positive ($MSB = 0$), then the capture occurred after the overflow. Servicing an overflow interrupt takes less than 15 ms, even in a busy system.

Second, assume that if a capture and an overflow happen in the vicinity of each other, the input capture will be serviced before the overflow. Vicinity means so close together that both are pending when the user reaches the input-capture service routine. The input-capture routine checks for a close overflow; therefore, if an overflow occurred just after the leading edge or just before a trailing edge of a measurement period,

it can be included correctly. This assumption is needed to avoid the possibility of missing an overflow that should have been counted or to avoid counting one that occurred just outside the period being measured. Again, this condition is easy to service because timer overflow is a lower priority interrupt than input captures. The only way an overflow can be serviced before an input capture that occurred in the vicinity is if the overflow happened enough before the input capture for the stacking and vector selection to be completed before the capture is detected. Such a case, which is no different from having the overflow occur long before the capture, is treated correctly without taking any special action.

Example 10-3 uses input capture and counts overflows in an 8-bit software counter to allow measurement of periods between about 70 and 16,777,215 cycles (35 R_S to 8.38 s). The program runs on an EVB board and displays results on the EVB terminal display. The important parts of the program are shown in [Figure 10-20](#); see [10.8 Listing of Timer Examples](#) for a complete listing.

Example 10-3 was specifically structured to allow easy expansion to other functions. For example, two more period measurement functions can be added by adding a few instructions to the overflow service routine and basically duplicating the IC1 service routine for IC2 and IC3. The following lines of code are from Example 10-3:

```

c191 a6 25      [4]      LDAA TFLG2,X      Check for TOF in MSB
c193 2a 23      [3]      BPL  OU3IC1      If no overflow, you're done
c195 7a d0 07   [6]      DEC  OVCNT1      This TOF shouldn't count
                    * decrement OVCNT1 to -1, TOF svc routine will inc to 0

```

This example demonstrates the idea of indicating the TOF should not count rather than directly clearing it to make it not count. Although the TOF is not needed for this period measurement function, it may be needed for some other function that might be in progress. Although the three input-capture functions and the five output-compare functions are effectively independent of each other, they are all specifically related to the single, 16-bit, free-running counter and thus share the overflow mechanism. The capture and compare functions can independently monitor the overflow, but they should not directly interfere with its operation.

Main Timer and Real-Time Interrupt

```
*** initialization - (see full listing) ***

c114 ce 10 00      [3] PER24T LDX   #REGBAS      Point to register block
c117 86 10        [2]          LDAA  #%00010000    EDG1B:EDG1A - 0:1
c119 a7 21        [4]          STAA  TCTL2,X      IC1 rising edges
c11b 86 ff        [2]          LDAA  #$FF
c11d b7 d0 06     [4]          STAA  IC1MOD      FF-IC1 off; 0-1st edge; 1-last
c120 7f d0 05     [6]          CLR   IC1DUN      Signal period not done
c123 1d 23 fb     [7]          BCLR  TFLG1,X $FB  clear IC1F (if any)
c126 1d 25 7f    [7]          BCLR  TFLG2,X $7F  clear TOF (if any)
c129 1c 22 04    [7]          BSET  TMSK1,X $04  enable IC1 interrupts
c12c 1c 24 80    [7]          BSET  TMSK2,X $80  enable TOF interrupts
c12f 0e          [2]          CLI
                    Enable Interrupts

c130 b6 d0 05     [4] WAITL3 LDAA  IC1DUN      Sets after period done
c133 27 fb       [3]          BEQ   WAITL3      Loop till period has been timed
c135 0f         [2]          SEI
                    Done, disable interrupts

** display results - (see full listing) ***

***
* SV3TOF - Timer Overflow service routine
*
* Called whenever any timer overflow is detected.
* If the IC1 period measurement is in progress
* (IC1MOD positive) then the overflow counter
* (upper 8-bits of period) is incremented.
***

c171 7d d0 06     [6] SV3TOF TST   IC1MOD      0 or 1, IC1 active; count TOFs
c174 2b 03       [3]          BMI   OU3TOF      if neg, IC1 not active
c176 7c d0 07     [6]          INC   OVCNT1     increment IC1 overflow count
c179 86 80       [2] OU3TOF LDAA  #$80
c17b b7 10 25    [4]          STAA  REGBAS+TFLG2 Clear overflow flag
c17e 3b         [12]         RTI
                    ** Return from TOF service **

***
* SV3IC1 - Input Capture 1 service routine
*
* Called at start and end of a period being measured
***

c17f ce 10 00    [3] SV3IC1 LDX   #REGBAS      point at top of register block
c182 7c d0 06    [6]          INC   IC1MOD      $FF->0 at 1st edge; 0->1 at 2nd
c185 26 13       [3]          BNE   NO1ST3     if not 0, this is second edge

* Process first edge of period

c187 7f d0 07    [6]          CLR   OVCNT1     Zero the overflow count
c18a ec 10       [5]          LDD  TIC1,X      Read time of first edge
c18c fd d0 08    [5]          STD  RES1        Save till next capture
c18f 2b 27       [3]          BMI   OU3IC1     If IC was before any overflow
c191 a6 25       [4]          LDAA  TFLG2,X     Check for TOF in MSB
c193 2a 23       [3]          BPL  OU3IC1     If no overflow, you're done
c195 7a d0 07    [6]          DEC  OVCNT1     This TOF shouldn't count
                    * decrement OVCNT1 to -1, TOF svc routine will inc to 0
c198 20 1e       [3]          BRA  OU3IC1     Done processing first edge
```

Figure 10-20. Measuring Long Periods with Input Capture and TOF (Sheet 1 of 2)

```

* Process second edge of period
c19a ec 10      [5] NO1ST3 LDD    TIC1,X      Get time of second edge
c19c 2b 07      [3]          BMI    ARNOV1      If MSB-1, skip TOF check
c19e 6d 25      [6]          TST    TFLG2,X     Check for overflow
c1a0 2a 03      [3]          BPL    ARNOV1      If no TOF, skip increment
c1a2 7c d0 07   [6]          INC    OVCNT1      TOF was before edge so count it
c1a5 b3 d0 08   [6] ARNOV1 SUBD   RES1          (Time of last) - (time of 1st)
c1a8 fd d0 08   [5]          STD    RES1          Update result
c1ab 24 03      [3]          BCC    RES1OK      Check for borrow
c1ad 7a d0 07   [6]          DEC    OVCNT1      If borrow, fix overflow count
c1b0 1d 21 30   [7] RES1OK BCLR   TCTL2,X $30    Disable IC1
c1b3 86 01      [2]          LDAA   #1
c1b5 b7 d0 05   [4]          STAA   1C1DUN      Signal period measured
c1b8 1d 23 fb   [7] OU3IC1 BCLR   TFLG1,X $FB    Clear IC1F
c1bb 3b                [12]         RTI          ** Return from IC1 service

```

Figure 10-20. Measuring Long Periods with Input Capture and TOF (Sheet 2 of 2)

10.5.6 Establishing a Relationship between Software and an Event

In common microcontroller unit (MCU) applications, a software program must generate various output control signals as a result of various input signals or events. A software program monitors the input signals and produces output signals as needed. Sometimes it is important for the output signals to be in some strict timing relationship to an input signal. A problem, which is called latency, arises when software requires some time to notice and respond to an input event. In many MCU systems, this latency determines the worst-case uncertainty in the ability of software to know exactly when an event occurred and the accuracy of the timing relationship between the event and a resulting output signal. In the MC68HC11A8, the timer system allows much more accurate control of the relationship between events and resulting output signals.

The critical input signal will drive one of the input-capture pins of the MCU. When an event (edge) occurs on this pin, the input-capture function automatically latches the current value of the free-running timer counter. Even though software takes a variable amount of time to respond to the event, the time at which it took place was latched (recorded), thus eliminating uncertainty due to software latency. Now software can read the timer counter to determine the present timing relationship between the program and when the event occurred. Better yet, an output-compare function can be set up to produce the desired output signal action at another specific value of the timer counter (for

instance, at another specific time relative to the input event). Since both the input event and the output action are referenced to the same timer counter, the resolution of the counter determines the worst-case uncertainty in the timing relationship. Although software latency still determines the minimum controllable delay between the input event and the output action, it no longer influences the accuracy of the timing relationship.

10.5.7 Other Uses for Input-Capture Pins

At any time, software can read the logic levels on the pins used for input-capture functions (even if the input-capture function is enabled). These three pins may also be used as flexible interrupt input pins when the timer input-capture functions are not needed. Each of these pins can be used as a separate edge-triggered interrupt with its own interrupt vector. The significant edge(s) can be individually selected by the control bits in the TCTL2 register. An important advantage of these interrupt pins over the IRQ pin is that these interrupts can be enabled/disabled with the local interrupt enable bits (ICxI) in the TMSK1 register. Another advantage of these pins is that there is a readable status indicator (ICxF) so software can tell if an interrupt request is pending from these sources. Software can also choose to clear any pending interrupt from one of these sources before enabling it. As with all maskable interrupt sources, interrupts can be disabled from these pins by setting the I bit in the CCR in the CPU.

10.6 Output-Compare Functions

Rather than being specifically configured to perform a single function, such as variable-frequency square-wave generation, the output-compare functions in the MC68HC11A8 are configured and controlled by software-accessible control registers and bits so they can perform a wide variety of tasks. Although some software overhead exists for some common timing functions, such as pulse-width modulation (PWM) signals, these software-controlled output-compare functions are easily adaptable to a much wider range of applications than dedicated timer functions would be.

There are five output-compare functions in the MC68HC11A8. Each output compare has a 16-bit compare register and a dedicated 16-bit comparator. The comparator checks the free-running timer value against the 16-bit compare register during every timer count. When a match is detected, a status flag is set (OCxF), an interrupt is optionally generated, and timer output pins are automatically changed according to software-accessible control bits. Since each of the five interrupts is separately maskable with a local interrupt enable control bit and since each has its own interrupt vector, there is no need to perform any software polling to determine the cause of an interrupt.

Four of the output compares operate much like the output compares on the M6801 Family of MCUs except that the M68HC11 has more output-compare channels and has slightly more control over the timer output pins. The fifth output compare on the MC68HC11A8 (OC1) can control any combination of the five timer output pins even if another output compare is already controlling the pin(s). The value and implications of this feature will be explained in greater detail.

For OC5–OC2, a pair of control bits in the timer control register 1 (TCTL1) control the automatic action that will occur at the respective timer output pin when an output compare happens (16-bit OCx register matches the free-running timer). The control bit pairs (OMx, OLx, x = 2, 3, 4, or 5) are encoded to allow the four following possibilities: 1) timer output compare causes no pin change; 2) toggle pin on each successful compare; 3) force pin to 0 on a successful compare; and 4) force pin to 1 on a successful compare. Each of the output compares (OC5–OC2) is associated with a separate port A pin, and the automatic pin actions for each output compare are independently controlled.

For OC1, the automatic pin actions are controlled by the OC1 mask (OC1M) and OC1 data (OC1D) registers. The OC1M register specifies which port A pins are to be affected by OC1. The OC1D register specifies the data to be sent to the affected port A pin(s) when there is a successful OC1 match. If OC1 and another output compare are both controlling the same pin and if both attempt to change the pin simultaneously, OC1 will have priority.

Output pins for the five output-compare functions can be used as general-purpose output pins having nothing to do with the timer system

or as timer outputs directly controlled by the timer system. When one of these pins is configured for timer use, it cannot be written directly from software as a general-purpose port A output line. If the user needs to change a timer output pin without waiting for an actual output compare, the force output-compare function can be used. This function may be used to initialize the state of timer outputs or to force an output change before it was scheduled to occur by the associated output-compare register. Another way to change the state of a timer output pin is to temporarily disengage the timer by changing the timer control registers. This method requires a more detailed understanding of the actual port A pin logic. Detailed schematics of the port A output pins are shown and explained in [Section 7. Parallel Input/Output](#).

The 16-bit output-compare register for each output-compare function can be read or written by software as a pair of 8-bit registers. The TOCx registers are forced to \$FFFF during reset.

Address: \$1016 — Timer Output Compare 1 Register (TOC1) High

	Bit 7	6	5	4	3	2	1	Bit 0
Read:	Bit 15	14	13	12	11	10	9	Bit 8
Write:								

Address: \$1017 — Timer Output Compare 1 Register (TOC1) Low

	Bit 7	6	5	4	3	2	1	Bit 0
Read:	Bit 7	6	5	4	3	2	1	Bit 0
Write:								

Address: \$1018 — Timer Output Compare 2 Register (TOC2) High

	Bit 7	6	5	4	3	2	1	Bit 0
Read:	Bit 15	14	13	12	11	10	9	Bit 8
Write:								

Address: \$1019 — Timer Output Compare 2 Register (TOC2) Low

	Bit 7	6	5	4	3	2	1	Bit 0
Read:	Bit 7	6	5	4	3	2	1	Bit 0
Write:								

Figure 10-21. Output-Capture Registers

Address: \$101A — Timer Output Compare 3 Register (TOC3) High

	Bit 7	6	5	4	3	2	1	Bit 0
Read:	Bit 15	14	13	12	11	10	9	Bit 8
Write:								

Address: \$101B — Timer Output Compare 3 Register (TOC3) Low

	Bit 7	6	5	4	3	2	1	Bit 0
Read:	Bit 7	6	5	4	3	2	1	Bit 0
Write:								

Address: \$101C — Timer Output Compare 4 Register (TOC4) High

	Bit 7	6	5	4	3	2	1	Bit 0
Read:	Bit 15	14	13	12	11	10	9	Bit 8
Write:								

Address: \$101D — Timer Output Compare 4 Register (TOC4) Low

	Bit 7	6	5	4	3	2	1	Bit 0
Read:	Bit 7	6	5	4	3	2	1	Bit 0
Write:								

Address: \$101E — Timer Output Compare 5 Register (TOC5) High

	Bit 7	6	5	4	3	2	1	Bit 0
Read:	Bit 15	14	13	12	11	10	9	Bit 8
Write:								

Address: \$101F — Timer Output Compare 5 Register (TOC5) Low

	Bit 7	6	5	4	3	2	1	Bit 0
Read:	Bit 7	6	5	4	3	2	1	Bit 0
Write:								

Figure 10-21. Output-Capture Registers (Continued)

A write to the high-order byte of an output-compare register pair inhibits the output-compare function for one bus cycle. This inhibit prevents erroneous comparisons using a 16-bit value whose high-order half was just written and whose low-order half still contains data from the previous output-compare value. Consider the case where an output-compare register is \$FF0F and the user tries to write it to \$00FF as the

free-running timer is counting through the value \$000F. Without the 1-cycle inhibit after writing to the upper half of the output-compare register, an erroneous compare could occur at \$000F. As long as the user utilizes a double-byte write instruction, such as store D (STD), to update output-compare registers, this 1-cycle inhibit mechanism will ensure that no unintentional compares will result after the write of the high-order half but before the write of the low-order half.

As long as an output-compare function is configured to change a pin state or to generate an interrupt, the action occurs every time the timer-count value matches the compare register (not just the first time a match occurs). To generate a single interrupt after some delay, read the TCNT register, add a value corresponding to the desired delay, write that value to the output-compare register, and write the appropriate controls to enable the interrupt. When the interrupt occurs, write the appropriate controls to disable the interrupt, or another interrupt will occur as soon as the free-running timer rolls around to the output-compare register value again.

Figure 10-22, **Figure 10-23**, and the following paragraphs explain the output-compare status flags and the local interrupt enable control bits for the output-compare functions.

Address: \$1022 — Timer Interrupt Mask 1 Register (TMSK1)

	Bit 7	6	5	4	3	2	1	Bit 0
Read:								
Write:	OC1I	OC2I	OC3I	OC4I	OC5I	IC1I	IC2I	IC3I
Reset:	0	0	0	0	0	0	0	0

Figure 10-22. Output Capture Interrupt Enable Bits (OCxI)

Address: \$1023 — Timer Interrupt Flag 1 Register (TFLG1)

	Bit 7	6	5	4	3	2	1	Bit 0
Read:	OC1F	OC2F	OC3F	OC4F	OC5F	IC1F	IC2F	IC3F
Write:								
Reset:	0	0	0	0	0	0	0	0

Figure 10-23. Output Capture Flags (OCxF)

OCxI — Output Compare Interrupt Enable Bits (x = 1, 2, 3, 4, or 5)

OCxF — Output Compare Flags (x = 1, 2, 3, 4, or 5)

The OCxF status bit is automatically set to 1 each time the corresponding output-compare register matches the free-running timer. This status bit is cleared by writing to the TFLG1 register with a 1 in the corresponding data bit position. The OCxI control bit allows the user to configure each output-compare function for polled or interrupt-driven operation but does not affect the setting or clearing of the corresponding OCxF bit. When OCxI is 0, the corresponding output-compare interrupt is inhibited, and the output compare is operating in a polled mode. In this mode, the OCxF bit must be polled (read) by user software to determine when a match has been detected. When the OCxI control bit is 1, a hardware interrupt request is generated whenever the corresponding OCxF bit is set to 1. Before leaving the interrupt service routine, software must clear the OCxF bit by writing to the TFLG1 register (see [10.4.4 Tips for Clearing Timer Flags](#)).

Example 10-4 is a very simple program that uses an output compare to control a software time delay. For simplicity, this example uses polled mode and does not cause any automatic pin changes as the result of the output compare. The program generates a 10-ms delay like the user might utilize to time an EEPROM program or erase operation; however, instead of actually programming EEPROM, it will just produce a pulse on an output port pin so the results can be studied on an oscilloscope. Output-compare functions can also cause automatic pin changes and generate interrupt requests (see Examples 10-5 and 10-6). A partial listing of the program for Example 10-4 is shown in [Figure 10-24](#).

The example in [Figure 10-24](#) is only intended to show the most basic use of an output-compare function. It is not intended to be an especially efficient way to delay a fixed period of time. The following three instructions are a simpler way to delay if no other tasks are to be performed during the delay:

```

c1d9 18 ce 16 4e [4] LDY #5710 5710*(7~/loop)= about 20mS
c1dd 18 09 [4]DLP1 DEY Top of software delay loop
c1df 26 fc [3] BNE DLP1 Loop 'till Y is zero

```

Main Timer and Real-Time Interrupt

c1bc	ce 10 00	[3]	INZA	LDX	#REGBAS	Point to register block
c1bf	86 80	[2]		LDAA	#\$80	
c1c1	a7 23	[4]		STAA	TFLG1,X	Clear any pending OC1F flag
c1c3	6f 04	[6]		CLR	PORTB,X	Initialize port B to zeros
c1c5	86 01	[2]	TOP4A	LDAA	#1	Top of Ex10-4a
c1c7	a7 04	[4]		STAA	PORTB,X	Set LSB of port B
* This is where the 10mS delay part actually starts						
*						
c1c9	ec 0e	[5]		LDD	TCNT,X	Get current timer count
c1cb	c3 4e 20	[4]		ADDD	#20000	What will count be in 10mS?
c1ce	ed 16	[5]		STD	TOC1,X	Set OC1 to trigger then
c1d0	1f 23 80 fc	[7]	LP1	BRCLR	TFLG1,X \$80	LP1 Loop here till OC1F=1
*Delay is actually done here; rest is just support						
c1d4	1d 23 7f	[7]		BCLR	TFLG1,X \$7F	Clear OC1F
c1d7	6f 04	[6]		CLR	PORTB,X	Clear PB0 pin
c1d9	18 ce 16 4e	[4]		LDY	#5710	5710*(7~/loop) = about 20ms
c1dd	18 09	[4]	DLP1	DEY		Top of software delay loop
c1df	26 fc	[3]		BNE	DLP1	Loop 'till Y is zero
c1e1	20 e2	[3]		BRA	TOP4A	Repeat continuously for O-scope

Figure 10-24. Simple Output-Compare Example

By contrast, an output compare in interrupt-driven mode has the advantage of allowing the user to perform other tasks while waiting for the delay.

10.6.1 Normal Input/Output Pin Control Using OC5–OC2

The user can independently program the automatic pin actions to occur for each output-compare function. For OC5–OC2, a pair of control bits (OMx and OLx) in TCTL1 are used to control the automatic pin actions.

Address: \$1020

	Bit 7	6	5	4	3	2	1	Bit 0
Read:	OM2	OL2	OM3	OL3	OM4	OL4	OM5	OL5
Write:								
Reset:	0	0	0	0	0	0	0	0

Figure 10-25. Timer Control Register 1 (TCTL1)

OMx and OLx — Output Compare Pin Control Bits (x = 1, 2, 3, 4, or 5)

This pair of bits determines the automatic actions that occur on the port A timer output pin when there is a successful output compare. Each OC5–OC2 function corresponds to a specific pin of port A. Each pair of bits controls the action for the corresponding output-compare function. These bit pairs are encoded as shown in [Table 10-6](#).

Table 10-6. OMx and OLx Encoding

OMx	OLx	Configuration
0	0	OCx does not affect pin (OC1 still may)
0	1	Toggle OCx pin on successful compare
1	0	Clear OCx pin on successful compare
1	1	Set OCx pin on successful compare

Example 10-5 uses OC2 to generate a square wave at the PA6/OC2 pin. The program runs on an EVB board, and the results are monitored with an oscilloscope. Before running this program, manually set the half-cycle delay time (as a number of cycles) in the double-byte location HDLY (\$D000,D001). For example, if \$01,00 is stored at \$D000,D001, a square wave with a period of 256 μ s would be generated (half period = 256 cycles x 500 ns/cyc). [Figure 10-26](#) shows the program for Example 10-5.

```

c1e3 8e 00 47    [3] TOP5    LDS    #$0047    Top of User's Stack area on EVB
c1e6 86 7e      [2]        LDAA   #$7E      Jump (extended) Opcode
c1e8 97 dc      [3]        STAA   PVOC2    Pseudo Vector see manual text
c1ea ce c1 fd  [3]        LDX    #SV5OC2  Address of OC2 service routine
c1ed df dd      [4]        STX    PVOC2+1  Finish jump instruc to TOF svc
c1ef ce 10 00   [3]        LDX    #REGBAS  Point to register block
c1f2 86 40      [2]        LDAA   #01000000 OM2:OL2 = 0:1
c1f4 a7 20      [4]        STAA   TCTL1,X  Set OC2 for toggle on compare
c1f6 a7 23      [4]        STAA   TFLG1,X  Clear any pending OC2F
c1f8 a7 22      [4]        STAA   TMSK1,X  Enable OC2 interrupts
c1fa 0e         [2]        CLI     Enable Interrupts
c1fb 20 fe      [3]        BRA    *        Interrupt driven; sit here

***
* SV5OC2 - Output Compare 2 service routine
*
* Called at each OC2 interrupt.
***

c1fd fc d0 00   [5] SV5OC2  LDD    HDLY     Get delay time for 1/2 cycle
c200 e3 18      [6]        ADDD   TOC2,X   Add to last compare value
c202 ed 18      [5]        STD    TOC2,X   Update OC2 (schedule next edge)
c204 1d 23 bf   [7]        BCLR  TFLG1,X $BF Clear OC2F
c207 3b         [12]       RTI     ** Return from OC2 service **

```

Figure 10-26. Generating a Square Wave with Output Compare

Main Timer and Real-Time Interrupt

The initialization of the pseudo-vector at the top of Example 10-5 is done for the EVB board and would not be a normal part of a practical application. The three cycles needed for the extra JMP instruction are shown at [3] in **Figure 10-27**.

Figure 10-27 shows a detailed timing analysis for Example 10-5. This degree of detail is not normally needed, but this analysis shows exactly what occurs during an interrupt driven output compare. The timer count has a fixed relationship to real time; whereas, software can be aligned to the timer count in any of several ways. It is generally not known (nor does it need to be) which of these several possible relationships is correct. Although software latencies do not affect the accuracy with which output edges are placed, these latencies do determine the shortest possible delay between successive output edges. In this isolated example, the software latencies are quite short, but in a practical application, latencies from other interrupt sources must be considered.

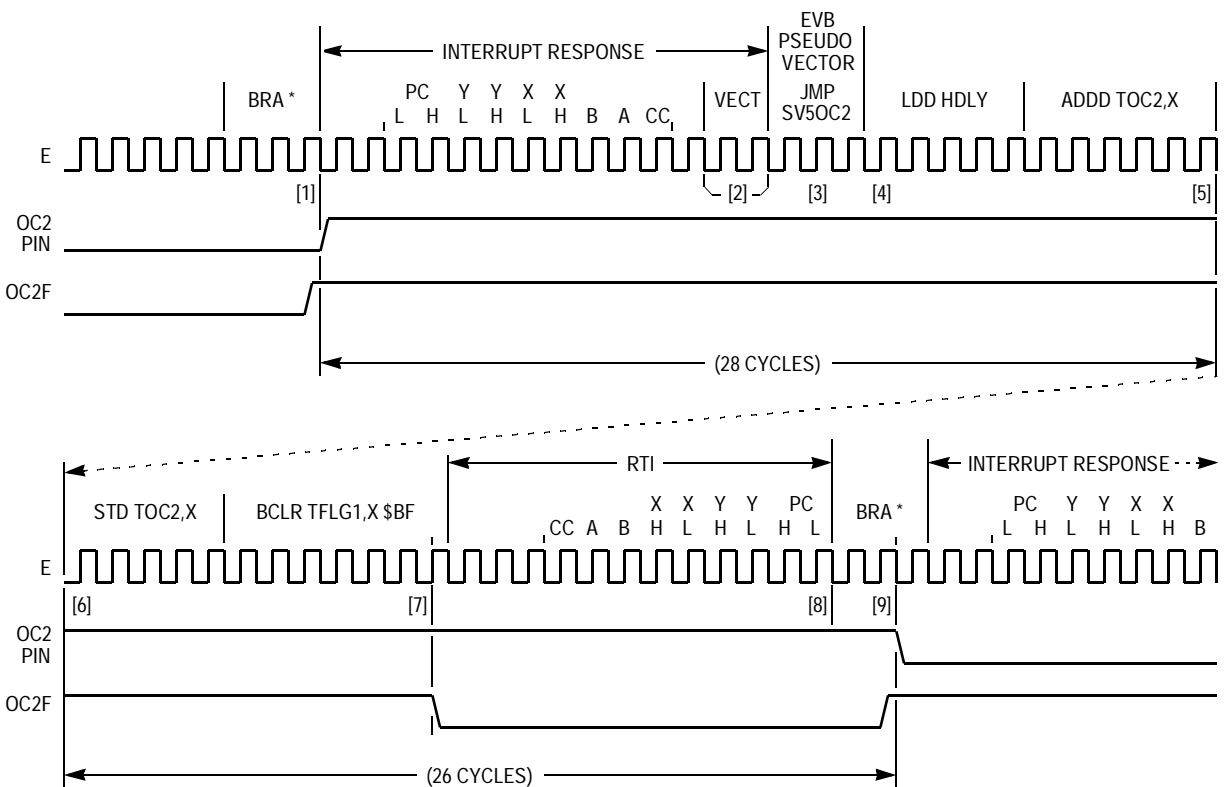


Figure 10-27. Timing Analysis for Example 10-5

This timing analysis shows the case where the half-period delay (HDLY) is 54 cycles, and the OC2F was set just before the BRA * finished [1]. This analysis represents the fastest response to the OC2F bit. The flag is actually set [1] just before the pin state changes. The exact timing of the flag and pin changes is discussed in detail in [10.7 Timing Details for the Main Timer System](#). The period can be set as short as 52 cycles (the total time needed to service each interrupt from [1] to [8]).

This example is intended to show a way to produce a simple square wave and is not intended to be the most efficient way to perform this task.

10.6.2 Advanced Input/Output Pin Control Using OC1

One of the five output-compare functions (OC1) in the MC68HC11A8 has special timer output pin controls that were not present on any previous Motorola MCUs. These new controls allow this output-compare function to simultaneously control the states of up to five output pins. This output compare can also be configured to control a pin or pins that are also being controlled by one of the other four output-compare functions.

OC1 uses the OC1M and the OC1D to control the automatic timer output pin actions occurring as a result of a match between the OC1 register and the free-running timer. Each of the five MSBs of these registers corresponds bit-for-bit with a port A output pin. The three remaining low-order bits of these registers are not used and always read as 0s. For each port A output pin to be affected by OC1, the user would set the corresponding bit of OC1M. When a successful OC1 compare occurs, each port A pin to be affected (indicated by the corresponding bit of OC1M set) will assume the value of the corresponding bit of OC1D. Values of bits in OC1D corresponding to 0s in the OC1M register are don't cares. Usually, the user only has to write to the OC1M register once to establish which pins will be controlled by OC1. The relationship between register bits and port A pins is provided in the reference below [Figure 10-28](#) and [Figure 10-29](#).

Address: \$100C

	Bit 7	6	5	4	3	2	1	Bit 0
Read:	OC1M7	OC1M6	OC1M5	OC1M4	OC1M3	0	0	0
Write:								
Reset:	0	0	0	0	0	0	0	0
Reference:	PA7/PAI	PA6/OC2	PA5/OC3	PA4/OC4	PA3/OC5	PA2/IC1	PA1/IC2	PA0/IC3

Figure 10-28. Output Compare 1 Mask Register (OC1M)

Address: \$100D

	Bit 7	6	5	4	3	2	1	Bit 0
Read:	OC1D7	OC1D6	OC1D5	OC1D4	OC1D3	0	0	0
Write:								
Reset:	0	0	0	0	0	0	0	0
Reference:	PA7/PAI	PA6/OC2	PA5/OC3	PA4/OC4	PA3/OC5	PA2/IC1	PA1/IC2	PA0/IC3

Figure 10-29. Output Compare 1 Data Register (OC1D)

OC1 can only affect the PA7 pin if the pin is configured as an output as opposed to its default configuration as an input. To configure PA7 as an output, the data direction control bit for port A bit 7 (DDRA7) in the pulse accumulator control register (PACTL) must be set to 1.

10.6.2.1 One Output Compare Controlling up to Five Pins

The special pin control mechanisms on OC1 allow it to simultaneously control as many as five timer output pins. (Software can be used to allow any single output compare to control multiple outputs, but software latency will affect the resolution and the ability to repeat timed actions accurately.) The OC1 mechanism allows pins to be controlled with a timing accuracy equal to one count of the timer counter.

The ability to control multiple outputs with a single output-compare channel is especially useful where the outputs are all associated with a single external device — for example, the signals driving a stepper motor. In such a case, it is always possible to know the required state for all of the outputs whenever any one is going to change. On the other

hand, if the outputs control unrelated devices, it might be more practical to use separate output-compare channels for each output.

A side benefit to using OC1 to control several timer outputs is that the other output-compare functions associated with these pins become available for general-purpose software timing functions that do not directly control pins.

10.6.2.2 Two Output Compares Controlling One Pin

OC1 can also be used in conjunction with one or more other output compares to achieve even more timing flexibility. OC1 can control a timer output even when one of the other output compares is already controlling the same pin, which allows the programmer to schedule two succeeding edges of each output signal at a time. This capability reduces software overhead because only one of the two output compares needs to generate an interrupt. Pulses as short as one E cycle, which are accurately positioned with 1-cycle resolution (500-ns resolution), can be generated.

Example 10-6 uses OC1, OC2, and OC3 together to produce two PWM outputs. This particular program can produce active-high PWM signals with a minimum period of 200 cycles (100 μ s or 10 kHz) and a duty cycle of 0 to 100 percent. Actually, the program only produces duty cycles of 50 to 100 percent. When a smaller duty cycle is specified, it is automatically changed to 100 percent minus the specified duty cycle, and the polarity of the output is switched. (A 30-percent active-high duty cycle is the same as a 70-percent active-low duty cycle.) **Figure 10-30** shows the important parts of the program for Example 10-6.

Before running this example program on the EVB board, the period and duty cycle are established manually with memory modify commands. Period is set indirectly by setting the location PWMP1P at \$D002. This value is 1 percent of the period (in cycles); thus, a value of \$02 sets the period to 200 cycles. When the program starts, this value is multiplied by 100 and stored to location PWMPER. Program latencies are such that a period of 100 cycles (PWMP1P = \$01) is too short, and the program will not operate correctly. Duty cycles are stored as percentages at locations

PWMDC1 and PWMDC2 (\$D003 and \$D004, respectively; \$64 = 100 percent).

The larger upper portion of this program is executed only once to set up and to start the PWM outputs. After this initial setup, the PWM signals are free running and are controlled by OC1 interrupts only. When an OC1 interrupt occurs, a value equal to the period is added to each of the output-compare registers (TOC1, TOC2, and TOC3). When this OC1 service routine is enabled, the PWM outputs will have been forced to their active level by the OC1 match that requested the interrupt. When this service routine is done, OC1 is set to start the next PWM period; OC2 and OC3 are set to terminate the current PWM pulse. The PWM pulses, which are known to be at least 50 percent of the period, control how quickly the OC1 service routine must finish (OC2 and OC3 must be scheduled in time to occur as early as 50 percent of the way to the next PWM pulse start). The OC1 interrupt service takes almost 100 cycles, but OC2 and OC3 are updated somewhat before the end of the routine. Thus, the theoretical minimum period is about 140 cycles (two times 70 cycles, where 70 cycles is the approximate latency time from an OC1 interrupt request to when OC2 and OC3 have been updated). Because the example was set up so that period is specified by the number of cycles in 1 percent of the period, a value of two makes period equal 200 cycles, which is acceptable; whereas, a value of one makes period equal 100 cycles, which is too small.

This example is only one of many ways to generate PWM signals in the M68HC11. Example 10-7 demonstrates an alternate way, which uses only one output compare. The approach used in that example does not allow the duty cycle to be too close to 0 or 100 percent because there is a minimum latency requirement between any two successive edges on the PWM output signal. In general, any approach will be subject to some unique set of limitations. As with many engineering problems, there is no single best solution; the user will have to select the best method based on all the application requirements.

```

*** initialization - (see full listing) ***
c217 86 50      [2]      LDAA  #01010000  OMx:OLx = 0:1 for toggle
c219 a7 20      [4]      STAA  TCTL1,X    OC2 and OC3 for toggle
c21b 86 70      [2]      LDAA  #01110000  OC1M6,5, & 4 = 1
c21d a7 0c      [4]      STAA  OCIM,X     Control OC2/PA6, OC3/PA5, & PA4
c21f 5f         [2]      CLRB                    Build OC1D initial value in B
c220 b6 d0 03   [4]      LDAA  PWMDC1     Check for OC2 duty > or = 50%
c223 81 32      [2]      CMPA  #50        If <50% OC1 drives low...
c225 23 02      [3]      BLS   ARNZ61     and OC2 toggles high.
c227 cb 40      [2]      ADDB  #01000000  Else OC1 driv high/OC2 tog low
c229 b6 d0 04   [4] ARNZ61 LDAA  PWMDC2     Check for OC3 duty > or = 50%
c22c 81 32      [2]      CMPA  #50        If <50% OC1 drives low...
c22e 23 02      [3]      BLS   ARNZ62     and OC3 toggles high.
c230 cb 20      [2]      ADDB  #00100000  Else OC1 driv high/OC3 tog low
c232 e7 0d      [4] ARNZ62 STAB  OC1D,X    Store starting value for OC1D
                * Calculate period & duty cycle as cycle count offsets
c234 b6 d0 02   [4]      LDAA  PWMP1P     1% of period
c237 c6 64      [2]      LDAB  #100
c239 3d         [10]     MUL                    100 * PWMP1P = PWMPER
c23a fd d0 1f   [5]      STD   PWMPER     Store period
c23d ed 16      [5]      STD   TOC1,X     Start with TCNT = PWMPER
c23f b6 d0 03   [4]      LDAA  PWMDC1     Calculate offset for OC2
c242 8d 12      [6]      BSR   CALOFF     Adj duty and calc offset
c244 ed 18      [5]      STD   TOC2,X     Schedule first OC2 toggle
c246 b6 d0 04   [4]      LDAA  PWMDC2     Calculate offset for OC3
c249 0d 0b      [6]      BSR   CALOFF     Adj duty and calc offset
c24b ed 1a      [5]      STD   TOC3,X     Schedule first OC3 toggle
c24d 86 80      [2]      LDAA  #80        Finish initialization
c24f a7 23      [4]      STAA  TFLG1,X   Clear any old OC1 flag
c251 a7 22      [4]      STAA  TMSK1,X   Enable OC1 interrupt
c253 0e         [2]      CLI
c254 20 fe      [3]      BRA   *          PWMs driven by OC1 interrupts

***
* SV6OC1 - Output Compare 1 service routine
***
c269 ce 10 00   [3] SV6OCI LDX   #REGBAS  Point to register block
c26c a6 0d      [4]      LDAA  OC1D,X     Change state of PA4 at next OC1
c26e 88 10      [2]      EORA  #00010000  Inverts OC1D4 (PA4 pin control)
c270 a7 0d      [4]      STAA  OC1D,X     Update OC1 automatic pattern
c272 ec 18      [5]      LDD   TOC2,x     Get last OC2 compare value
c274 f3 d0 1f   [6]      ADDD  PWMPER     Add count equiv to period
c277 ed 18      [5]      STD   TOC2,X     Update OC2 (schedule next OC2)
c279 ec 1a      [5]      LDD   TOC3,x     Get last OC3 compare value
c27b f3 d0 1f   [6]      ADDD  PWMPER     Add count equiv to period
c27e ed 1a      [5]      STD   TOC3,X     Update OC3 (schedule next OC3)
c280 ec 16      [5]      LDD   TOC1,X     Get last OC1 compare value
c282 f3 d0 1f   [6]      ADDD  PWMPER     Add count equiv to period
c285 ed 16      [5]      STD   TOC1,X     Update OC1 (schedule next OC1)
c287 1d 23 7f   [7]      BCLR  TFLG1,X $7F Clear OC1F
c28a 3b         [12]     RTI                    ** Return from OC1 service **

```

Figure 10-30. Producing Two PWM Outputs with OC1, OC2, and OC3

10.6.3 Forced Output Compares

The output-compare force mechanism provides a convenient way to change timer output pin states without actually setting up and waiting for an output-compare match. The force mechanism is useful to force an initial state at the start of a timing sequence or to force an output compare earlier than it was scheduled. Consider the case where the user has scheduled an output compare to occur at a certain time, but as the time approaches, the user decides instead the compare should occur as soon as possible. (This case is an actual situation that arises in spark timing control in some automotive engine control applications.) In the older M6801 Family MCU, the user had to read the timer counter, add a small value to it corresponding to a software delay, and write this value to the output-compare register so that a compare match would occur at the next E-clock cycle after the compare register update. With the force mechanism in the M68HC11 Family, the user writes to the CFORC register to force any combination of output-compare channels to trigger.

To use the output-compare force mechanism, the user would write to the CFORC register with 1s in the bit positions corresponding to the output-compare channels to be forced. Writing a 0 to a bit in the CFORC register has no effect on the corresponding output-compare channel. At the next timer count after the write to CFORC, the forced channels will trigger their programmed pin actions to occur. The forced actions are synchronized to the timer counter clock, which is slower than E if a prescale factor has been specified (PR1 and PR0). As shown in [Figure 10-1](#), the output-compare force signal causes pin action but does not affect the OCxF bit or generate interrupts.

Normally, the force mechanism would not be used in conjunction with the automatic pin action that toggles the corresponding output-compare pin. Consider the case previously described where a force is being used to trigger the pin action earlier than it was scheduled to occur. The user might easily fall into the trap of forcing a toggle just before the output-compare match was about to occur. The force mechanism would toggle the pin once, and as soon as the match occurs, the pin would toggle again, which is almost certainly not what the user would want to happen. In the same situation, if the automatic pin action was

programmed to set the pin high or clear the pin low, an actual match just after a force mechanism would order the pin to change to the state it is already in (same effect as doing nothing).

Figure 10-31 and the following bit descriptions explain the output compare force register (CFORC).

Address: \$100B

	Bit 7	6	5	4	3	2	1	Bit 0
Read:	0	0	0	0	0	0	0	0
Write:	FOC1	FOC2	FOC3	FOC4	FOC5			
Reset:	0	0	0	0	0	0	0	0

Figure 10-31. Output Compare Force Register (CFORC)

FOCx — Force Output Compare Bits (x = 1, 2, 3, 4, or 5)

These bits may be used to force an output compare rather than waiting for a match between the output-compare register and the free-running counter. The automatic pin actions programmed for the output compare happen as if a match had occurred, but no interrupt is generated (OCxF is not set). To force one or more output-compare channels, write to the CFORC register with 1s in the bit positions corresponding to the channels to be forced. The logic-high state of these bits is transitory, and the CFORC register will never be read as anything other than 0. The force mechanism is synchronized to the timer counter clock. As many as 16 E-clock cycles could occur between the write to CFORC and the compare force if the largest prescale factor is set for the timer system (PR1, PR0 = 1:1 to ÷ 16).

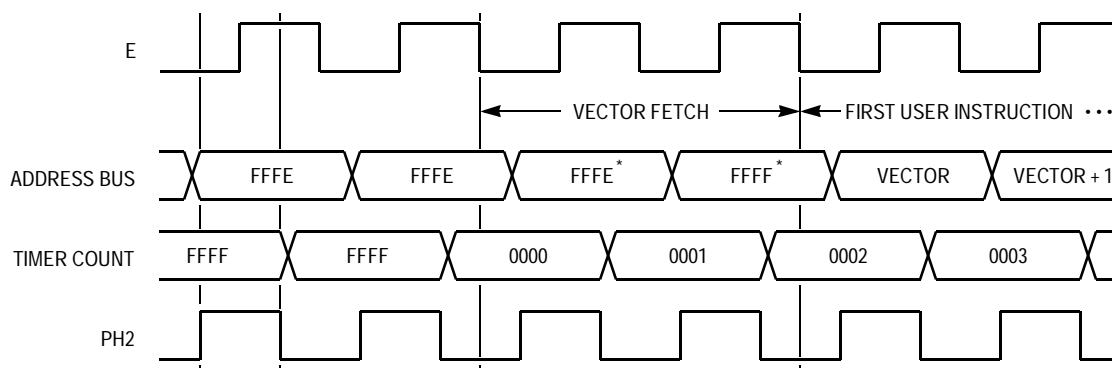
10.7 Timing Details for the Main Timer System

The detailed timing information presented is much more detailed than most users will ever need, but it is given to provide additional insight into the operation of the MCU.

Figure 10-32 shows the details concerning the timer counter as the MCU leaves reset. During reset, the counter is forced to \$FFFF and does not count. As the internal reset signal is released, the counter begins to

count just before the reset vector appears on the address bus. Although **Figure 10-32** shows the reset vector to be \$FFFE,FFFF, the timing details would be the same if the processor is reset in any mode, including test and bootstrap modes where the reset vector would be \$BFFE,BFFF. The timer overflow logic is inhibited so that this first \$FFFF-\$0000 transition does not register as an overflow.

Figure 10-33 shows timing details for a read of TCNT. The address and data buses shown in **Figure 10-33** are internal buses and have different timing than the more familiar external buses. These internal buses were used because it is much more difficult to understand what is occurring from the external address and data buses.



* Sequence is the same for any reset (external, COP, or clock monitor) and any mode (normal or special).

Figure 10-32. Timer Counter as MCU Leaves Reset

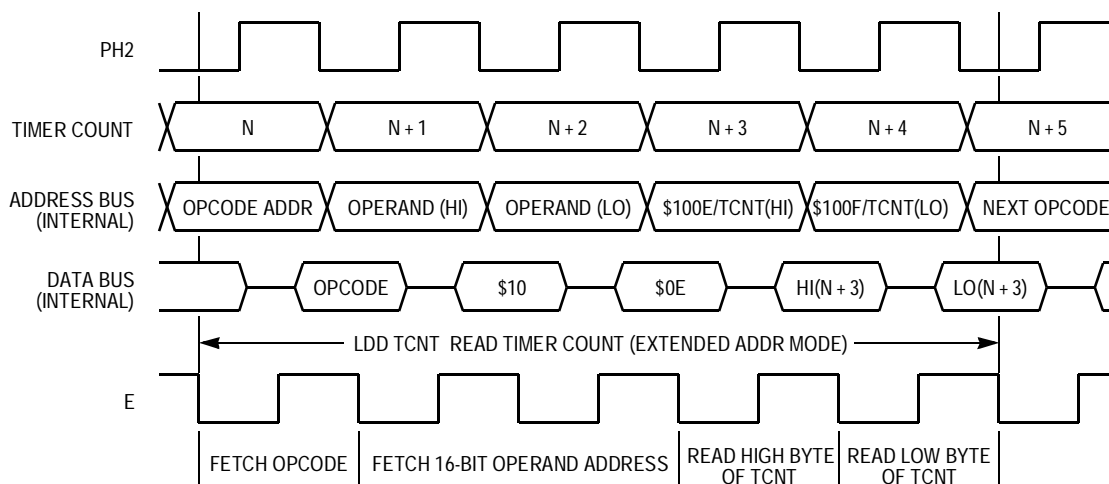


Figure 10-33. Timer Counter Read — Cycle-by-Cycle Analysis

Figure 10-33 shows a cycle-by-cycle view of these internal buses for a double-byte read instruction (LDD TCNT). When the upper byte of TCNT is read in the fourth cycle of the LDD instruction, the current value of the timer is $n + 3$. The low-order half of the timer is passed through a normally transparent latch. This latch is frozen for one cycle after every high-byte read of TCNT so that a double-byte read can read the low-order half that belongs with the same count state as the upper half just read. Even though the counter has actually advanced to $n + 4$ by the last cycle of this LDD instruction, the value read will be the lower half of count $n + 3$.

The information in **Figure 10-32** and **Figure 10-33** can be combined to find the value that would be returned if the LDD instruction was performed as the first instruction after reset — that is, if the reset vector pointed directly to the LDD instruction. The value read will always be \$0005.

The prescaler is built around a divide by 16 counter. When a new value is written to the prescaler control bits (PR1 and PR0) in the TMSK2 register, the clocking rate to the main timer changes to the new rate at the next \$F-\$0 transition of this internal 4-bit prescaler counter.

Figure 10-34 shows timing details for an input capture. Input-capture timing is not affected by a prescale factor; thus, this figure only shows the divided by one case. This figure also only shows the case where the input-capture function is configured to detect a rising edge. Again, the polarity of the edge is not important to the timing.

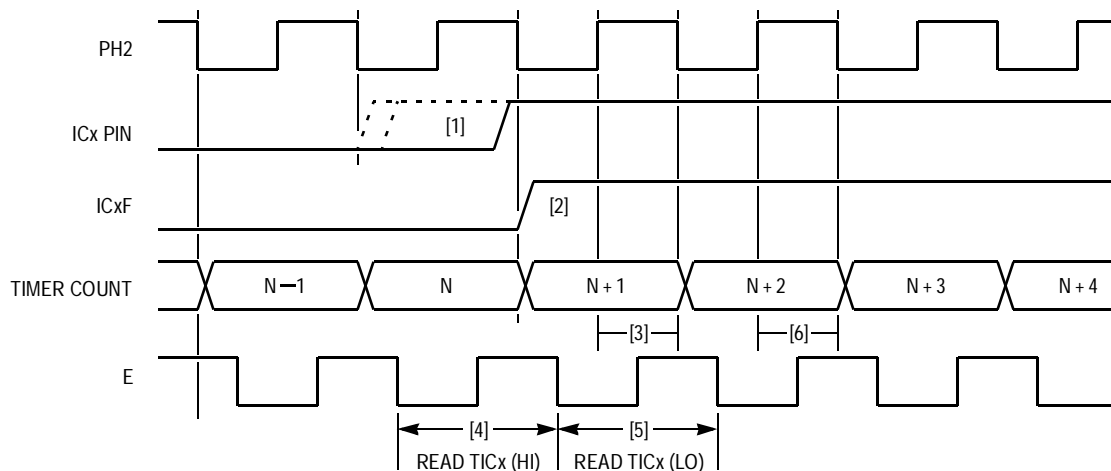


Figure 10-34. Input-Capture Timing Details

The normal sequence of events in an input capture is:

1. Asynchronously detect an edge at the ICx pin.
2. Set the ICxF bit at the next falling edge of the internal PH2 clock.
3. Transfer the current timer count to the 16-bit TICx register during the next PH2 logic high.

If the cycle at [4] happens to be a high-byte read of the TICx register (which would be unusual), the transfer at [3] will be delayed until [6] so the transfer will not corrupt a double-byte read at cycles [4] and [5].

Figure 10-35 shows two timing situations related to output compares. A normal compare match is shown at [1]; a compare inhibit situation is shown at [4].

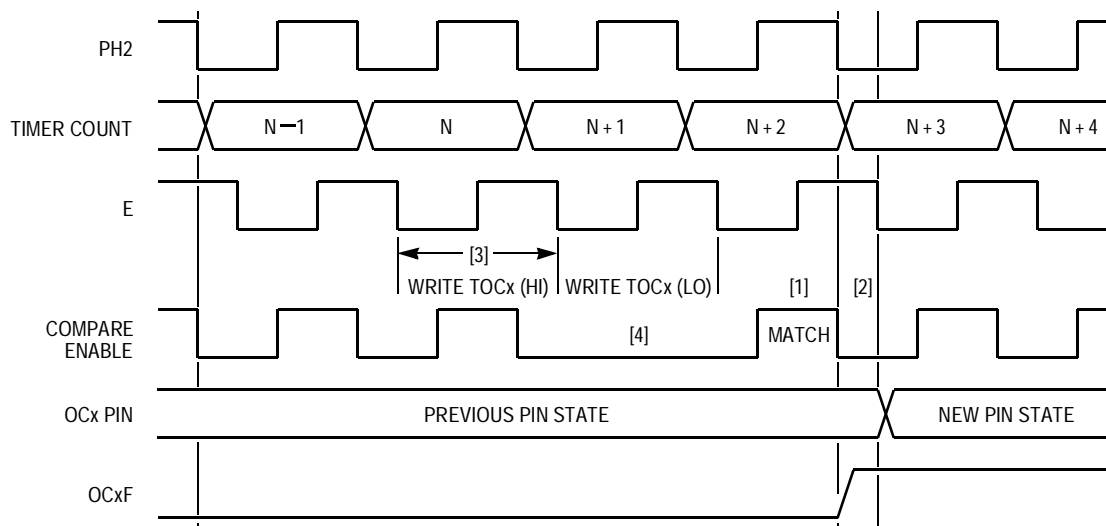


Figure 10-35. Output-Compare Timing Details

In the normal compare match situation, the timer count is compared to the value in a TOCx register during PH2 high. Timer counting occurs at the falling edges of PH2 to prevent interference between counting and comparisons. PH2 is an internal clock that leads E by 90°. When the match is detected [1], OCxF is set at the falling edge PH2 where the match was true. The pin-state change (if any) is delayed by another quarter cycle so changes will occur at the falling edge of the E clock. If there were a prescale factor, the compare true would occur during the

first PH2 cycle where the count matched the TOCx value. Additional matches would be inhibited until the next timer clock or until TOCx is written. This inhibit mechanism protects against multiple compare matches during a prescaled timer count (the TOCx register actually matches the timer count for several PH2 cycles when there is a prescale factor). In the unlikely case of a big prescale factor (for example, ÷ 16) and a match at the start of count \$nnnn, if the user wrote \$nnnn to the TOCx register while the count was still \$nnnn, the output-compare actions would be retrigged.

At [4] in **Figure 10-35**, the 1-cycle compare inhibit results from a write to TOCx during cycle [3]. This inhibit mechanism prevents an erroneous compare during the write to the low-order half of TOCx. If the output compare were not inhibited here, the TOCx register would contain an erroneous value composed of the new high byte written at [3] and the low byte from the former value in TOCx. This inhibit mechanism is separate from the compare mechanism discussed in the previous paragraph.

10.8 Listing of Timer Examples

The following listing is a composite of timer section Examples 10-1 through 10-7. Since many of the references and equates are common for all the examples, it saves space to group them. All the examples can be assembled and loaded into an EVB board for evaluation at the same time. In general, the user must set up some initial signals and variables, and then execute an EVB "go" command to start each example routine.

Listing - Timer Examples

Sheet 1 of 16

```

****
* This listing contains all Examples for Reference Manual Section 10
****

    ** Equates - Registers will be addressed with Ind,X mode
    *
1000   REGBAS   EQU   $1000  Starting address for register block
0004   PORTB   EQU   $04    Output port B
000c   OC1M    EQU   $0C    OC1M7,OC1M6,OC1M5,OC1M4;OC1M3,-,-,-
000d   OC1D    EQU   $0D    OC1D7,OC1D6,OC1D5,OC1D4;OC1D3,-,-,-
000e   TCNT    EQU   $0E    Free running counter (16-bit)
0010   TIC1    EQU   $10    IC1 register (16-bit)
0016   TOC1    EQU   $16    OC1 register (16-bit)
0018   TOC2    EQU   $18    OC2 register (16-bit)
001a   TOC3    EQU   $1A    OC3 register (16-bit)
0020   TCTL1   EQU   $20    OM2,OL2,OM3,OL3;OM4,OL4,OM5,OL5
0021   TCTL2   EQU   $21    -, -, EDG1B,EDG1A;EDG2B,EDG2A,EDG3B,EDG3A
0022   TMSK1   EQU   $22    OC1I,OC2I,OC3I,OC4I;OC5I,IC1I,IC2I,IC3I
0023   TFLG1   EQU   $23    OC1F,OC2F,OC3F,OC4F;OC5F,IC1F,IC2F,IC3F
0024   TMSK2   EQU   $24    TOI,RTII,PAOVI,PAII;-,-,PR1,PR0
0025   TFLG2   EQU   $25    TOF,RTIF,PAOVF,PAIF;-,-,-,-

    *** EVB Routine Addresses & Pseudo Vector Equates

ffb8   .OUTA    EQU   $FFB8  Print character in A-reg
ffc4   .OUTCRL  EQU   $FFC4  Output <cr><lf>
ffca   .OUTSTO  EQU   $FFCA  Output Msg seg (no <cr,lf>)
ffc7   .OUTSTR  EQU   $FFC7  Output Msg w/leading <cr,lf>

00e8   PVIC1   EQU   $00E8  EVB Pseudo Vector for IC1
00d0   PVTOF   EQU   $00D0  EVB Pseudo Vector for TOF
00dc   PVOC2   EQU   $00DC  EVB Pseudo Vector for OC2
00df   PVOC1   EQU   $00DF  EVB Pseudo Vector for OC1

    *** RAM Variable Assignments

d000   ORG     $D000  Start variables in EVB RAM (upper half)
d000   HDLY    RMB   2    Half-cycle delay (in 0.5mS increments)
d002   PWMP1P  RMB   1    1% of PWM period (1 to 256 cyc) Ex 10-7
d003   PWMDC1  RMB   1    Duty cycle for PWM signal at OC2 pin
d004   PWMDC2  RMB   1    Duty cycle for PWM signal at OC3 pin
d005   IC1DUN  RMB   1    flag: 0-not done,1-pulse measured
d006   IC1MOD  RMB   1    s/w mode flag: FF-off,0-1st,1-last edge
d007   OVCNT1  RMB   1    Overflow cnt (upper 8-bits of result)
d008   RES1    RMB   2    Pulse Width in cycles (16-bits)
d00a   HTEMP   RMB   3    Temp for H6TOD8 (3 bytes)
d00d   FRSTE   RMB   2    Time of first edge (16-bits)
d00f   PERC    RMB   2    Period in cycles (16-bits)
d011   TEMP1   RMB   2    Temp for conversion (16-bits)
d013   FREQH   RMB   2    Freq in Hex (16-bits)
d015   HPW     RMB   2    Pulse Width (16-bits hex)
d017   DBUFR   RMB   8    Decimal result buffer (8 bytes ASCII)
    * Some routines use only first 5 bytes of DBUFR
d01f   PWMPER  RMB   2    Period of PWM signals in (cycles)
d021   OFFHI   RMB   2    OC2 high offset (calculated)
d023   OFFLO   RMB   2    OC2 low offset (calculated)

```

Listing - Timer Examples Sheet 2 of 16

```

c000                                ORG  $C000 Prog starts in EVB RAM at $C000

***
* TIMER EXAMPLE 10-1 (a) Measuring Period with Input Capture
*
* Uses polling rather than interrupts.
* Measures period between two rising edges at IC1 pin.
* Overflows not considered so max period is 65,535 cyc
* Min period measurable with this program is about 27 cyc
*
* This program runs on an EVB board and displays results
* on the EVB terminal display.
***

                                OPT c

c000 8e 00 47      [3] PERTOP LDS    #$0047  Top of User's stack area on EVB
c003 ce 10 00      [3]          LDX    #REGBAS Point to register block
c006 86 10         [2]          LDAA   #%00010000
c008 a7 21         [4]          STAA   TCTL2,X  EDG1B:EDG1A = 0:1, rising edges
c00a 86 04         [2]          LDAA   #$04
c00c a7 23         [4]          STAA   TFLG1,X  Clear any old OC1 flag

                                * Ready to detect first rising edge
c00e 1f 23 04 fc [7]          BRCLR  TFLG1,X $04 * Loop here until edge

                                * First edge detected
c012 ec 10         [5]          LDD   TIC1,X  Read time of first edge
c014 fd d0 0d     [5]          STD   FRSTE   Save first capture value
c017 86 04         [2]          LDAA   #$04
c019 a7 23         [4]          STAA   TFLG1,X  Clear IC1F before next edge

                                * Ready to capture time of second edge
c01b 1f 23 04 fc [7]          BRCLR  TFLG1,X $04 * Loop here until edge

                                * Second edge detected
c01f ec 10         [5]          LDD   TIC1,X  Read time of second edge
c021 b3 d0 0d     [6]          SUBD   FRSTE   2nd - 1st -> D
c024 fd d0 0f     [5]          STD   PERC    Save result (period in cycs)

                                * The period of the signal at PA2/IC1 pin has been
                                * measured and the time is stored at "PERC" as a 16-bit
                                * hex number representing the number of CPU bus cycles
                                * that elapsed between two rising edges

***
* TIMER EXAMPLE 10-1 (b) Changing Period to Frequency
*
* The period found in example 10-1a is expressed as a number
* of bus cycles (@E=2MHz, 1 bus cycle=0.5µS) and it is
* currently in the D-reg and at "PERC". Values < or = $20
* will be considered too small (freq too high) to be
* accurately measured with this program and will be trapped
* out to make the period to frequency conversion program easier.
* $0021 corresponds to 60,606 Hz, $FFFF is 30.5 Hz.
***

```

Listing – Timer Examples

Sheet 3 of 16

```

c027 fe d0 0f      [5]      LDX   PERC   Period in cycles (16-bits)
c02a 1a 83 00 20 [5]      CPD   #32   ($20) Check against min allowed
c02e 22 03        [3]      BHI   OKP   Skip if OK
c030 7e c0 88     [3]      JMP   OUTRNG Else go say it was too small
c033 cc 00 20     [3] OKP   LDD   #32   X=period; D=32
c036 03          [41]     FDIV          D/X -> X; r -> D
c037 ff d0 11     [5]      STX   TEMP1
                * (Freq*16)+1,000,000; radix left of MSB

*
* We now have frequency but it isn't in a good displayable
* form yet. If we move the binary radix 16 places to the right
* we would have a 16-bit integer representing
*  $E(2^{**20})/(10^{**6}) \times \text{freq}$  or  $[(1,048,576)/(1,000,000)] * \text{freq}$ .
* By adding and subtracting binary multiples of the freq we
* will arrive at  $[(1,000,000)/(1,000,000)] * \text{freq}$  (or just frequency)
*
* 1,048,576 16-bit starting value  $((2^{**20})\text{freq})+(10^{**6})$ 
* - 32,768 2**15
* - 16,384 2**14
* + 512 2**9
* + 64 2**6
* =1,000,000 * freq
*
* The limitation of 33 ($21) cycles min was selected so
*  $(1,048,576/1,000,000) * \text{freq}$  would fit in 16-bits so we would
* only need 1 FDIV. Although it is pretty easy to extend the
* precision of an FDIV
*
* The partial results which are added and subtracted in this
* program may have an error of  $\pm 1$  LSB ea. because I truncated
* rather than rounding.
*
c03a fc d0 11     [5]      LDD   TEMP1    $(2^{**20})f$ ; where  $f=\text{freq}+(10^{**6})$ 
c03d 04          [3]      LSRD
c03e 04          [3]      LSRD
c03f 04          [3]      LSRD           $A=(2^{**9})f$ ;  $D=(2^{**17})f$ 
c040 7f d0 13     [6]      CLR   FREQH   Clr upper half of hex freq loc.
c043 b7 d0 14     [4]      STAA  FREQH+1 FREQH is a temp = 512f
c046 04          [3]      LSRD
c047 04          [3]      LSRD          now  $D=(2^{**15})f$  or 32,768f
c048 fd d0 11     [5]      STD   TEMP1   Needs to be in mem for subtract
c04b 8f          [3]      XGDX           $D=(2^{**20})f$ ;  $X=(2^{**15})f$ 
c04c b3 d0 11     [6]      SUBD  TEMP1   1st subtraction (-32K)
c04f 8f          [3]      XGDX          Working result -> X;  $D=(2^{**15})f$ 
c050 04          [3]      LSRD           $A=(2^{**6})f$ ;  $D=(2^{**14})f$ 
c051 fd d0 11     [5]      STD   TEMP1   Put in mem so you can subtract
c054 bb d0 14     [4]      ADDA  FREQH+1  $(512+64)f$ 
c057 b7 d0 14     [4]      STAA  FREQH+1 Update low half of FREQH
c05a 8f          [3]      XGDX           $D=1,015,808*f$ ; X=junk
c05b b3 d0 11     [6]      SUBD  TEMP1    $999,424*f$ 
c05e f3 d0 13     [6]      ADDD  FREQH    $1,000,000*f = \text{frequency}$ 
c061 fd d0 13     [5]      STD   FREQH   Save the 16-bit binary result

```

Listing – Timer Examples

Sheet 4 of 16

```
* Since most of us don't think in hexadecimal, let's
* change to decimal before printing. The subroutine
* (HTODP) is shown at the end of this listing.
*
* The display will look like...
*
*ppppp Cyc      fffff Hz      --- or like---
*Freq. is too high
*
* where ppppp is period in cycles & fffff is freq.
* (decimal)
*
* EVB subroutines will be used and when done we will
* jump back to the beginning and repeat continuously.
*
```

```
c064 bd ff c4      [6]      JSR      .OUTCRL  Print a <cr,lf>
c067 ce d0 0f      [3]      LDX      #PERC   Point at hex period
c06a bd c3 33      [6]      JSR      HTOD    Convert to 5 digit decimal
c06d bd c2 df      [6]      JSR      P5DEC   Print 5 digit decimal
c070 ce c3 d3      [3]      LDX      #MSGCYC Point at " Cycles "
c073 bd ff ca      [6]      JSR      .OUTSTO  Print message segment
c076 ce d0 13      [3]      LDX      #FREQH   Point at hex frequency
c079 bd c3 33      [6]      JSR      HTOD    Convert to 5 digit decimal
c07c bd c2 df      [6]      JSR      P5DEC   Print 5 digit decimal
c07f ce c3 e0      [3]      LDX      #MSGHZ   Point at " Hz"
c082 bd ff ca      [6]      JSR      .OUTSTO  Print message segment
c085 7e c0 00      [3]  JTOP    JMP      PERTOP  To top & measure another period

c088 ce c3 e4      [3]  OUTRNG LDX      #MSGER1  Point at "Freq. is too high"
c08b bd ff c7      [6]      JSR      .OUTSTR  Print msg w/leading <cr,lf>
c08e 20 f5         [3]      BRA      JTOP    To top & measure another period
*
***** END Ex 10-1b
```

*** TIMER EXAMPLE 10-2 Measuring Pulses With Input Capture**

*

```
* Uses interrupts.
* Measures time between a rising edge and a falling edge
* (period of a positive pulse) at the IC1 pin.
* Overflows not considered so max is 65,536 cyc
* Min time measurable with this program is about __ cyc
*
```

```
* This program runs on an EVB board and displays results
* on the EVB terminal display.
```

```
* Initialization Portion
```

*

```
c090 8e 00 47      [3]  PWINZ  LDS      #$0047  Top of User's stack area on EVB
c093 86 7e         [2]      LDAA     #$7E    Jump (extended) Opcode
c095 97 e8         [3]      STAA    PVIC1   IC1 Pseudo Vector
c097 ce c0 d8      [3]      LDX     #SV2IC1  Address of IC1 service routine
c09a df e9         [4]      STX     PVIC1+1  Finish JMP inst to IC1 routine
```

Listing - Timer Examples

```

* Main Program Portion of Pulse Width program
*
c09c ce 10 00 [3] PWTOP LDX #REGBAS Point to register block
c09f 86 10 [2] LDAA #%00010000 Top of Main for PW24 prog
c0a1 a7 21 [4] STAA TCTL2,X EDG1B:EDG1A=0:1 IC1 rising edge
c0a3 86 ff [2] LDAA #$FF
c0a5 b7 d0 06 [4] STAA IC1MOD FF-IC1 off; 0-1st; 1-last edge
c0a8 7f d0 05 [6] CLR IC1DUN Signal pulse not done
c0ab 1d 23 fb [7] BCLR TFLG1,X $FB clear IC1F (if any)
c0ae 1c 22 04 [7] BSET TMSK1,X $04 enable IC1 interrupts
c0b1 0e [2] CLI Enable Interrupts
c0b2 b6 d0 05 [4] WAITL2 LDAA IC1DUN Sets after pulse done
c0b5 27 fb [3] BEQ WAITL2 Loop till pulse has been timed
c0b7 0f [2] SEI Pulse done, disable interrupts

* Display pulse width as xx,xxx μS (32,768 max)
c0b8 bd ff c4 [6] JSR .OUTCRL Begin printing result
c0bb fc d0 15 [5] LDD HPW number of cyc (0.5μS/cyc)
c0be 04 [3] LSRD 16-bit +2 to change to μS
c0bf 24 03 [3] BCC ARNUP2 ? need to round result ?
c0c1 c3 00 01 [4] ADDD #1 yes; round up
c0c4 fd d0 15 [5] ARNUP2 STD HPW Update hex Pulse width
c0c7 ce d0 15 [3] LDX #HPW Point at hex pulse width
c0ca bd c3 33 [6] JSR HTOD Convert to 5 digit decimal
c0cd bd c2 df [6] JSR P5DEC Print 5 digi decimal
c0d0 ce c3 f6 [3] LDX #MSGMS Point at rest of display line
c0d3 bd ff ca [6] JSR .OUTSTO Print " milliseconds"
c0d6 20 c4 [3] BRA PWTOP Goto top of main & repeat

*
* END of Main Program Portion
***
* SV2IC1 - Input Capture 1 service routine
*
* Called first when a rising edge is detected and again
* when a falling edge is detected.
***
c0d8 ce 10 00 [3] SV2IC1 LDX #REGBAS point at top of register block
c0db 7c d0 06 [6] INC IC1MOD $FF->0 at 1st edge; 0->1 at 2nd
c0de 26 0d [3] BNE NO1ST2 if not 0, this is trailing edge

* Process leading edge of pulse
c0e0 ec 10 [5] LDD TIC1,X read time of first edge
c0e2 fd d0 0d [5] STD FRSTE save till next capture

* Reconfigure IC1 for trailing falling edge
c0e5 1d 21 30 [7] BCLR TCTL2,X $30 EDG1B:EDG1A->0:0
c0e8 1c 21 20 [7] BSET TCTL2,X $20 EDG1B:EDG1A->1:0
c0eb 20 10 [3] BRA OU2IC1 done processing first edge

* Process trailing edge of pulse
c0ed ec 10 [5] NO1ST2 LDD TIC1,X get time of trailing edge
c0ef b3 d0 0d [6] SUBD FRSTE time of last minus time of 1st
c0f2 fd d0 15 [5] STD HPW update result
c0f5 1d 21 30 [7] BCLR TCTL2,X $30 disable IC1
c0f8 86 01 [2] LDAA #1
c0fa b7 d0 05 [4] STAA IC1DUN signal pulse measured
c0fd 1d 23 fb [7] OU2IC1 BCLR TFLG1,X $FB clear IC1F
c100 3b [12] RTI ** Return from IC1 service **

*
***** END Ex 10-2

```

Listing - Timer Examples

Sheet 6 of 16

```

***
* TIMER EXAMPLE 10-3 Measuring Long Periods with IC
*
* Uses interrupts.
* Measures period between two rising edges at the IC1 pin.
* Overflows are counted so max is 16,777,215 cyc (~8.38 Sec)
* Min time measurable with this program is about 70 cyc
*
* This program runs on an EVB board and displays results
* on the EVB terminal display.
***

                * Initialization Portion
                *
c101 8e 00 47    [3] P24INZ LDS    #$0047    Top of User's stack area on EVB
c104 86 7e      [2]          LDAA   #$7E      Jump (extended) Opcode
c106 97 d0      [3]          STAA   PVTOF    TOF Pseudo Vector see manual
c108 97 e8      [3]          STAA   PVIC1    IC1 Pseudo Vector
c10a ce c1 71   [3]          LDX    #SV3TOF   Address of TOF service routine
c10d df d1      [4]          STX    PVTOF+1   Finish JMP inst to TOF routine
c10f ce c1 7f   [3]          LDX    #SV3IC1   Address of IC1 service routine
c112 df e9      [4]          STX    PVIC1+1   Finish JMP inst to IC1 routine

                * Main Program Portion of PER24 program
                *
c114 ce 10 00   [3] PER24T LDX    #REGBAS    Point to register block
c117 86 10      [2]          LDAA   #%00010000  Top of Main for PER24 prog
c119 a7 21      [4]          STAA   TCTL2,X    EDG1B:EDG1A=0:1 IC1 rising edge
c11b 86 ff      [2]          LDAA   #$FF
c11d b7 d0 06   [4]          STAA   IC1MOD    FF-IC1 off; 0-1st; 1-last edge
c120 7f d0 05   [6]          CLR    IC1DUN    Signal period not done
c123 1d 23 fb   [7]          BCLR   TFLG1,X $FB    clear IC1F (if any)
c126 1d 25 7f   [7]          BCLR   TFLG2,X $7F    clear TOF (if any)
c129 1c 22 04   [7]          BSET   TMSK1,X $04    enable IC1 interrupts
c12c 1c 24 80   [7]          BSET   TMSK2,X $80    enable TOF interrupts
c12f 0e         [2]          CLI
                Enable Interrupts

c130 b6 d0 05   [4] WAITL3 LDAA   IC1DUN    Sets after period done
c133 27 fb      [3]          BEQ    WAITL3    Loop till period has been timed
c135 0f         [2]          SEI
                Done, disable interrupts

                * Display period as x.xxxxxx Seconds (to nearest μS)
c136 ce d0 07   [3]          LDX    #OVCNT1    Point at hi byte of 6 digit hex
c139 64 00      [6]          LSR    0,x        24-bit +2 to change to μS
c13b 66 01      [6]          ROR    1,x        (1cyc=0.5μS)
c13d 66 02      [6]          ROR    2,x        RORs include carry
c13f 24 0a      [3]          BCC   ARNUP3    ? need to round result ?
c141 6c 02      [6]          INC    2,x        yes; round up
c143 26 06      [3]          BNE   ARNUP3    carry to middle byte ?
c145 6c 01      [6]          INC    1,x        yes
c147 26 02      [3]          BNE   ARNUP3    carry to high byte ?
c149 6c 00      [6]          INC    0,x        yes
c14b bd c3 6c   [6] ARNUP3 JSR    H6TOD8    Convert to 8 digit decimal
c14e bd ff c4   [6]          JSR    .OUTCRL   Begin printing result

```

Listing - Timer Examples

```

c151 ce d0 18      [3]      LDX    #DBUFR+1      Start at 2nd digit (1st is 0)
c154 a6 00        [4]      LDAA   0,X           Seconds digit
c156 bd ff b8     [6]      JSR    .OUTA         Print
c159 86 2e        [2]      LDAA   #'.'         ASCII period
c15b bd ff b8     [6]      JSR    .OUTA         Print
c15e 08           [3]  DUMPLP INX       Advance pointer to next digit
c15f a6 00        [4]      LDAA   0,X           get digit
c161 bd ff b8     [6]      JSR    .OUTA         Print it
c164 8c d0 1e     [4]      CPX    #DBUFR+7     Was that the last ?
c167 26 f5        [3]      BNE    DUMPLP       If not continue
c169 ce c4 04     [3]      LDX    #MSGSEC      Point at rest of display line
c16c bd ff ca     [6]      JSR    .OUTSTO      Print "Seconds"
c16f 20 a3        [3]      BRA    PER24T       Goto top of main & repeat
*
* END of Main Program Portion
***
* SV3TOF - Timer Overflow service routine
*
* Called whenever any timer overflow is detected. If
* the IC1 period measurement is in progress (IC1MOD
* positive) then the overflow counter (upper 8-bits of
* period) is incremented.
***
c171 7d d0 06     [6]  SV3TOF TST    IC1MOD      if 0 or 1 IC1 active-count TOFs
c174 2b 03        [3]      BMI    OU3TOF       if neg, IC1 not active
c176 7c d0 07     [6]      INC    OVCNT1       increment IC1 overflow count
c179 86 80        [2]  OU3TOF LDAA   #$80
c17b b7 10 25     [4]      STAA  REGBAS+TFLG2  Clear overflow flag
c17e 3b           [12]     RTI                    **Return from TOF service**
***
* SV3IC1 - Input Capture 1 service routine
*
* Called first when a rising edge is detected and again
* when another rising edge is detected.
***
c17f ce 10 00     [3]  SV3IC1 LDX    #REGBAS      point at top of register block
c182 7c d0 06     [6]      INC    IC1MOD       $FF->0 at 1st edge; 0->1 at 2nd
c185 26 13        [3]      BNE    NO1ST3       if not 0, this is second edge
***
* Process first edge of period
c187 7f d0 07     [6]      CLR    OVCNT1       Zero the overflow count
c18a ec 10        [5]      LDD    TIC1,X       Read time of first edge
c18c fd d0 08     [5]      STD    RES1         Save till next capture
c18f 2b 27        [3]      BMI    OU3IC1       Done if IC was before any TOF
c191 a6 25        [4]      LDAA  TFLG2,X       Check for TOF in MSB
c193 2a 23        [3]      BPL    OU3IC1       If no overflow, you're done
c195 7a d0 07     [6]      DEC    OVCNT1       This TOF shouldn't count
***
* decrement OVCNT1 to -1....
* TOF svc routine will inc back to zero
c198 20 1e        [3]      BRA    OU3IC1       Done processing first edge

```


Listing - Timer Examples

Sheet 8 of 16

```

* Process second edge of period
c19a ec 10      [5] NO1ST3 LDD   TIC1,X      Get time of second edge
c19c 2b 07      [3]          BMI   ARNOV1     If MSB=1, skip TOF check
c19e 6d 25      [6]          TST   TFLG2,X   Check for overflow
c1a0 2a 03      [3]          BPL   ARNOV1     If no TOF, skip increment
c1a2 7c d0 07   [6]          INC   OVCNT1    TOF was before edge so count it
c1a5 b3 d0 08   [6] ARNOV1 SUBD  RES1      Time of last minus time of 1st
c1a8 fd d0 08   [5]          STD   RES1      Update result
c1ab 24 03      [3]          BCC   RES1OK    Check for borrow
c1ad 7a d0 07   [6]          DEC   OVCNT1    If borrow, fix overflow count
c1b0 1d 21 30   [7] RES1OK BCLR  TCTL2,X $30  Disable IC1
c1b3 86 01      [2]          LDAA  #1
c1b5 b7 d0 05   [4]          STAA  IC1DUN    Signal period measured
c1b8 1d 23 fb   [7] OU3IC1 BCLR  TFLG1,X $FB   Clear IC1F
c1bb 3b                [12]         RTI          **Return from IC1 service**

*
*** END Ex 10-3

```

*

* **TIMER EXAMPLE 10-4 Simple Output Compare Example**

*

* Ex10-4 uses polled mode.

* Generate a 10mS period like you would use to time an EE write
* but rather than wear out the EEPROM just change an output pin

*

* Example 10-4 runs on an EVB board and drives PB0 high for
* 10mS once every 30mS so you can see on an oscilloscope.

```

c1bc ce 10 00   [3] INZA  LDX   #REGBAS    Point to register block
c1bf 86 80      [2]          LDAA  # $80
c1c1 a7 23      [4]          STAA  TFLG1,X   Clear any pending OC1F flag
c1c3 6f 04      [6]          CLR   PORTB,X   Initialize port B to zeros

c1c5 86 01      [2] TOP4A LDAA  #1          Top of Ex10-4a
c1c7 a7 04      [4]          STAA  PORTB,X   Set LSB of port B

```

* This is where the 10mS delay part actually starts

*

```

c1c9 ec 0e      [5]          LDD   TCNT,X      Get current timer count
c1cb c3 4e 20   [4]          ADDD  #20000     What will count be in 10mS?
c1ce ed 16      [5]          STD   TOC1,X      Set OC1 to trigger then
c1d0 1f 23 80 fc [7] LP1    BRCLR TFLG1,X $80  LP1 Loop here till OC1F=1

```

*

*Delay is actually done here; rest is just support

```

c1d4 1d 23 7f   [7]          BCLR  TFLG1,X $7F  Clear OC1F
c1d7 6f 04      [6]          CLR   PORTB,X   Clear PB0 pin
c1d9 18 ce 16 4e [4]          LDY   #5710      5710*(7~/loop)= about 20mS
c1dd 18 09      [4] DLP1  DEY          Top of software delay loop
c1df 26 fc      [3]          BNE   DLP1      Loop 'till Y is zero
c1e1 20 e2      [3]          BRA   TOP4A     Repeat continuously for O-scope

```

*

***** END Ex 10-4

Listing - Timer Examples

```

***
*
* TIMER EXAMPLE 10-5 Square wave using Output Compare
*
* Ex10-5 uses interrupts.
* Generate a square wave at the PA6 output pin using OC2
*
* This program runs on an EVB board. The half-cycle delay
* time is entered into the double byte variable "HDLY" at
* $D000,D001 with a memory modify before going to the program.
***

cle3 8e 00 47    [3] TOP5   LDS    #$0047    Top of User's stack area on EVB
cle6 86 7e      [2]         LDAA   #$7E      Jump (extended) Opcode
cle8 97 dc      [3]         STAA   PVOC2     OC2 Pseudo Vector see manual
clea ce c1 fd   [3]         LDX    #SV5OC2   Address of OC2 service routine
cled df dd      [4]         STX    PVOC2+1   Finish JMP inst to TOF routine
clef ce 10 00   [3]         LDX    #REGBAS   Point to register block
clf2 86 40      [2]         LDAA   #%01000000  OM2:OL2 = 0:1
clf4 a7 20      [4]         STAA   TCTL1,X   Setup OC2 to toggle on compares
clf6 a7 23      [4]         STAA   TFLG1,X   Clear any pending OC2F
clf8 a7 22      [4]         STAA   TMSK1,X   Enable OC2 interrupts
clfa 0e         [2]         CLI     Enable Interrupts
clfb 20 fe      [3]         BRA    *           Interrupt driven from here

***
* SV5OC2 - Output Compare 2 service routine
*
* Called at each OC2 interrupt.
***
clfd fc d0 00   [5] SV5OC2 LDD    HDLY      Get delay time for 1/2 cycle
c200 e3 18      [6]         ADDD   TOC2,X    Add to last compare value
c202 ed 18      [5]         STD    TOC2,X    Update OC2 (schedule next edge)
c204 1d 23 bf   [7]         BCLR  TFLG1,X $BF  Clear OC2F
c207 3b         [12]        RTI     ** Return from OC2 service **

*
***** END Ex 10-5

***
* TIMER EXAMPLE 10-6
* OC1, OC2, and OC3 used together to produce 2 PWM signals
*
* OC1 controls two pins of port A in conjunction with OC2 and OC3
* OC1 drives the period and the scheduling of OC2 and OC3
* OC2 & OC3 automatically control pins but don't generate interrupts
* Set "PWMP1P", "PWMDC1" & "PWMDC2" manually before running this example
* "PWMP1P" sets size of a 1% segment of PWM period (cycles)
* min PWMP1P for this program is 2 (period = 200 cycles)
* "PWMDC1" sets Duty cycle for OC2 pin in % (0 to $64 hex)
* "PWMDC2" sets Duty Cycle for OC3 pin in % (0 to $64 hex)
* Duty cycle (%) will be translated into a # of cycles offset
* and period will be calculated as (100 * PWMP1P) at prog start
* PA4 pin will toggle at each OC1 compare as a scope reference signal

```

Listing - Timer Examples

Sheet 10 of 16

* Produces high going PWM signals of the period and duty cycle specified
 * Note actually only produces PWMs of 50% to 100% because spec'd duty of
 * 0 to 50% is changed to low going PWM w/duty cyc = [100% - spec(0-50)]
 *
 * This program runs on an EVB board and drives output pins.
 * An oscilloscope is used to study the results.

```

c208 8e 00 47      [3] INZ6   LDS    #$0047      Top of User's stack area on EVB
c20b 86 7e        [2]         LDAA   #$7E        Jump (extended) Opcode
c20d 97 df        [3]         STAA   PVOC1       OC1 Pseudo Vector see manual
c20f ce c2 69     [3]         LDX    #SV6OC1     Address of OC1 service routine
c212 df e0        [4]         STX    PVOC1+1     Finish JMP inst to OC1 routine
c214 ce 10 00     [3]         LDX    #REGBAS     Point to register block
c217 86 50        [2]         LDAA   #%01010000  OMx:OLx = 0:1 for toggle
c219 a7 20        [4]         STAA   TCTL1,X     OC2 and OC3 for toggle
c21b 86 70        [2]         LDAA   #%01110000  OC1M6,5, & 4 = 1
c21d a7 0c        [4]         STAA   OC1M,X      Control OC2/PA6, OC3/PA5, & PA4
c21f 5f           [2]         CLR    B           Build OC1D initial value in B
c220 b6 d0 03     [4]         LDAA   PWMDC1      Check for OC2 duty > or = 50%
c223 81 32        [2]         CMP    #50         If<50% OC1 goes lo OC2 togl hi
c225 23 02        [3]         BLS    ARNZ61      else OC1 goes high OC2 togl lo
c227 cb 40        [2]         ADDB   #01000000   Check for OC3 duty > or = 50%
c229 b6 d0 04     [4] ARNZ61 LDAA   PWMDC2
c22c 81 32        [2]         CMP    #50
c22e 23 02        [3]         BLS    ARNZ62      I<50% OC1 goes lo OC3 togl hi
c230 cb 20        [2]         ADDB   #00100000   else OC1 goes hi, OC3 togl lo
c232 e7 0d        [4] ARNZ62 STAB   OC1D,X  Store starting value for OC1D
      * Calculate period & duty cycle as cycle count offsets
c234 b6 d0 02     [4]         LDAA   PWMP1P      1% of period
c237 c6 64        [2]         LDAB   #100
c239 3d           [10]        MUL
      100 * PWMP1P = PWMPER
c23a fd d0 1f     [5]         STD    PWMPER      Store period
c23d ed 16        [5]         STD    TOC1,X     Start 1st PWM per @ TCNT=PWMPER
c23f b6 d0 03     [4]         LDAA   PWMDC1      Calculate offset for OC2
c242 8d 12        [6]         BSR    CALOFF      Adj duty as req'd & calc offset
c244 ed 18        [5]         STD    TOC2,X     Schedule first OC2 toggle
c246 b6 d0 04     [4]         LDAA   PWMDC2      Calculate offset for OC3
c249 8d 0b        [6]         BSR    CALOFF      Adj duty as req'd & calc offset
c24b ed 1a        [5]         STD    TOC3,X     Schedule first OC3 toggle
      * Finish initialization
c24d 86 80        [2]         LDAA   #$80
c24f a7 23        [4]         STAA   TFLG1,X    OC1F=1 to clr any old OC1 flag
c251 a7 22        [4]         STAA   TMSK1,X    then OC1I=1 to enable OC1 int.
c253 0e           [2]         CLI
c254 20 fe        [3]         BRA    *           OC1 interrupt runs PWMs now
  
```

Listing - Timer Examples

Sheet 11 of 16

```

*** Local subroutine to change duty cycle to offset cnt
* If duty < 50% ($32) change to 100-duty
* If duty >100% ($64) force to $64
* Finally mult by 1% of period (cyc)
* Enter with PWMDCx duty in A-reg, Return offset in D
c256 81 32      [2] CALOFF CMPA   #50          Check for 0-49%
c258 24 04      [3]          BHS     ARN6A      Around fixup
c25a 16         [2]          TAB          If <50% set to 100 - duty cycle
c25b 86 64      [2]          LDAA   #100
c25d 10         [2]          SBA          A-B to A
c25e 81 64      [2] ARN6A  CMPA   #100      Check for > 100%
c260 23 02      [3]          BLS     ARN6B
c262 86 64      [2]          LDAA   #100      If > 100% - set to 100%
c264 f6 d0 02   [4] ARN6B  LDAB   PWMP1P
c267 3d         [10]         MUL          PWMP1P * adj'd duty cyc =OFFOCx
c268 39         [5]          RTS          ** Return from CALOFF **
*
***

***
* SV6OC1 - Output Compare 1 service routine
***
c269 ce 10 00   [3] SV6OC1 LDX   #REGBAS      Point to register block
c26c a6 0d      [4]          LDAA   OC1D,X      Make PA4 flip @ nxt OC1 compare
c26e 88 10      [2]          EORA   #%00010000    Flips OC1D4 bit(PA4 pin contrl)
c270 a7 0d      [4]          STAA   OC1D,X      Update nxt OC1 auto pattern
c272 ec 18      [5]          LDD    TOC2,X      Get last OC2 compare value
c274 f3 d0 1f   [6]          ADDD   PWMPER      Add count equiv to period
c277 ed 18      [5]          STD    TOC2,X      Update OC2 (schedule next OC2)
c279 ec 1a      [5]          LDD    TOC3,X      Get last OC3 compare value
c27b f3 d0 1f   [6]          ADDD   PWMPER      Add count equiv to period
c27e ed 1a      [5]          STD    TOC3,X      Update OC3 (schedule next OC3)
c280 ec 16      [5]          LDD    TOC1,X      Get last OC1 compare value
c282 f3 d0 1f   [6]          ADDD   PWMPER      Add count equiv to period
c285 ed 16      [5]          STD    TOC1,X      Update OC1 (schedule next OC1)
c287 1d 23 7f   [7]          BCLR   TFLG1,X $7F    Clear OC1F
c28a 3b         [12]         RTI          ** Return from OC1 service **
*
***** END Ex 10-6
***

* TIMER EXAMPLE 10-7
* OC2 used alone to produce one PWH signal
*
* OC2 controls period and duty cycle of one port A pin
* Set "PWMP1P" & "PWMDC1" manually before running this
* example
* "PWMP1P" sets size of a 1% segment of PWM period
* (in cycles)
* "PWMDC1" sets Duty cycle for OC2 pin in % - NOTE: This
* program will not work properly with values of duty
* cycle too near 0 or 100%
* Refer to User's Manual text for discussions
* Program calculates "OFFHI" and "OFFLO" at start

```

Listing - Timer Examples

Sheet 12 of 16

* This program runs on EVB board & drives PA6/OC2 pin.

* An oscilloscope is used to study the results.

```

c28b 8e 00 47      [3] INZ7  LDS   #$0047      Top of User's stack area on EVB
c28e 86 7e        [2]          LDAA  #$7E        Jump (extended) Opcode
c290 97 dc        [3]          STAA  PVOC2       OC2 Pseudo Vector
c292 ce c2 c2     [3]          LDX   #SV7OC2     Address of OC2 service routine
c295 df dd        [4]          STX   PVOC2+1    Finish JMP instruc to OC2 prog
c297 ce 10 00     [3]          LDX   #REGBAS    Point to register block

c29a b6 d0 03     [4]          LDAA  PWMDC1     Calculate OC2 high time
c29d f6 d0 02     [4]          LDAB  PWMP1P     1% of period
c2a0 3d           [10]         MUL

* PWMP1P * duty cycle = high part of period
c2a1 fd d0 21     [5]          STD   OFFHI     Save high offset
c2a4 b6 d0 02     [4]          LDAA  PWMP1P     1% of period
c2a7 c6 64        [2]          LDAB  #100
c2a9 3d           [10]         MUL             100 * PWMP1P = period
c2aa b3 d0 21     [6]          SUBD  OFFHI     period - high time = low time
c2ad fd d0 23     [5]          STD   OFFLO     Store low offset

* Finish initialization
c2b0 86 c0        [2]          LDAA  #%11000000 OM2:OL2 = 1:1 for set pin high
c2b2 a7 20        [4]          STAA  TCTL1,X   1st OC2 starts first high time
c2b4 cc 00 00     [3]          LDD   #$0000
c2b7 ed 18        [5]          STD   TOC2,X   Start 1st PWM period @ TCNT=0
c2b9 86 40        [2]          LDAA  #$40
c2bb a7 23        [4]          STAA  TFLG1,X   OC2F=1 to clr any old OC2 flag
c2bd a7 22        [4]          STAA  TMSK1,X   then OC2I=1 to enable OC2 inter
c2bf 0e           [2]          CLI

c2c0 20 fe        [3]          BRA   *         OC2 interrupt runs PWM now

***
* SV7OC2 - Output Compare 2 service routine
***
c2c2 ce 10 00     [3] SV7OC2 LDX   #REGBAS    Point to register block
c2c5 1f 20 40 05 [7]          BRCLR TCTL1,X   %01000000 ADDLO Which half of cyc?
c2c9 fc d0 21     [5]          LDD   OFFHI     High part so add OFFHI to OC2
c2cc 20 03        [3]          BRA   UPOC2
c2ce fc d0 23     [5] ADDLO LDD   OFFLO     Low part so add OFFLO to OC2
c2d1 e3 18        [6] UPOC2 ADDD  TOC2,X   Add to last compare value
c2d3 ed 18        [5]          STD   TOC2,X   Update OC2 (schedule next edge)
c2d5 a6 20        [4]          LDAA  TCTL1,X   Change OL2 to setup next edge
c2d7 88 40        [2]          EORA  #%01000000 Inverts OL2 bit
c2d9 a7 20        [4]          STAA  TCTL1,X   Update control reg
c2db 1d 23 bf     [7]          BCLR  TFLG1,X $BF Clear OC2F
c2de 3b           [12]         RTI             ** Return from OC2 service **

*
***** END Ex 10-7

```

Listing - Timer Examples

```

***
* General purpose subroutines
***
***
* P5DEC - Subroutine to display a five digit decimal
*         number at "DBUFR".
* Prints in the form "xx,xxx" with leading zeros
* suppressed. Prints 6 columns, leading spaces,
* units always prints (0-9)
*
* Calls EVB routine ".OUTA"
* Calls "SKP1" with BSR to advance X and print a
* leading space SKP1 subroutine follows P5DEC
* All registers are unchanged upon return from P5DEC
***

c2df 3c          [4] P5DEC PSHX          Save registers
c2e0 37          [3]         PSHB
c2e1 36          [3]         PSHA
c2e2 ce d0 17   [3]         LDX    #DBUFR    Point at decimal (MS character)
c2e5 86 30      [2]         LDAA   #$30      Chk for leading 0s (ASCII)
c2e7 a1 00      [4]         CMPA   0,X      Check 10,000s digit
c2e9 26 19      [3]         BNE    P10K     Start at 10k digit
c2eb 8d 3d      [6]         BSR    SKP1     INX & print a space
c2ed a1 00      [4]         CMPA   0,X      Chk 1,000s (A still=ASCII<sp>)
c2ef 26 19      [3]         BNE    P1K      Start at 1k digit
c2f1 8d 37      [6]         BSR    SKP1     INX & print a space
c2f3 8d 35      [6]         BSR    SKP1     INX & print extra sp for ",,"
c2f5 09         [3]         DEX          just wanted <sp> so back up 1
c2f6 a1 00      [4]         CMPA   0,X      Check 100s digit
c2f8 26 1b      [3]         BNE    P100     Start at 100s digit
c2fa 8d 2e      [6]         BSR    SKP1     INX & print a space
c2fc a1 00      [4]         CMPA   0,X      Check 10s digit
c2fe 26 1b      [3]         BNE    P10      Start at 10s digit
c300 8d 28      [6]         BSR    SKP1     INX & print a space
c302 20 1d      [3]         BRA    P1      Start at 1s digit (default)
c304 a6 00      [4] P10K   LDAA   0,X      10,000s digit
c306 bd ff b8   [6]         JSR    OUTA     Print 10,000s digit
c309 08         [3]         INX          Advance pointer to next digit
c30a a6 00      [4] P1K    LDAA   0,X      1,000s digit
c30c bd ff b8   [6]         JSR    OUTA     Print it
c30f 86 2c      [2]         LDAA   #','    ASCII comma
c311 bd ff b8   [6]         JSR    OUTA     Print
c314 08         [3]         INX          Advance pointer to next digit
c315 a6 00      [4] P100  LDAA   0,X      100s digit
c317 bd ff b8   [6]         JSR    .OUTA   Print it
c31a 08         [3]         INX          Advance pointer to next digit
c31b a6 00      [4] P10   LDAA   0,X      10s digit
c31d bd ff b8   [6]         JSR    OUTA     Print it
c320 08         [3]         INX          Advance pointer to next digit
c321 a6 00      [4] P1    LDAA   0,X      1s digit
c323 bd ff b8   [6]         JSR    OUTA     Print it
c326 32         [4]         PULA          Restore registers
c327 33         [4]         PULB
c328 38         [5]         PULX
c329 39         [5]         RTS          ** Return from P5DEC **

```

Listing - Timer Examples

Sheet 14 of 16

```

*** Local SKP1 subroutine (called from above with BSRS)
c32a 36      [3] SKPI   PSHA           Save A
c32b 08      [3]      INX           Advance X
c32c 86 20   [2]      LDAA   #$20     ASCII <sp>
c32e bd ff b8 [6]      JSR    OUTA     Print the <sp>
c331 32      [4]      PULA           Restore A
c332 39      [5]      RTS            ** Return from SKP1 **

***
* HTOD - Subroutine to convert a 16-bit hex number to a
*       5 digit decimal number.
*
* Uses 5 byte variable "DBUFR" for decimal ASCII result
* On entry X points to hex value to be converted &
* displayed
* All registers are unchanged upon return
***

c333 3c      [4] HTOD  PSHX           Save registers
c334 37      [3]      PSHB
c335 36      [3]      PSHA
c336 ec 00   [5]      LDD    0,X      D=hex value to be converted
c338 ce 27 10 [3]      LDX    #10000
c33b 02      [41]     IDIV           freq+10,000 -> X; r -> D
c33c 8f      [3]      XGDX           Sav r in X 10,000s digit in A:B
c33d cb 30   [2]      ADDB   #$30     Convert to ASCII
c33f f7 d0 17 [4]      STAB  DBUFR     Store in decimal buffer
c342 8f      [3]      XGDX           r back to D
c343 ce 03 e8 [3]      LDX    #1000
c346 02      [41]     IDIV           r+1,000 -> X; r -> D
c347 8f      [3]      XGDX           Sav r in X; 1,000s digit in A:B
c348 cb 30   [2]      ADDB   #$30     Convert to ASCII
c34a f7 d0 18 [4]      STAB  DBUFR+1   Store in decimal buffer
c34d 8f      [3]      XGDX           r back to D
c34e ce 00 64 [3]      LDX    #100
c351 02      [41]     IDIV           r+100 -> X; r -> D
c352 8f      [3]      XGDX           Save r in X; 100s digit in A:B
c353 cb 30   [2]      ADDB   #$30     Convert to ASCII
c355 f7 d0 19 [4]      STAB  DBUFR+2   Store in decimal buffer
c358 8f      [3]      XGDX           r back to D
c359 ce 00 0a [3]      LDX    #10
c35c 02      [41]     IDIV           r+10 -> X; r in D (B= 1s digit)
c35d cb 30   [2]      ADDB   #$30     Convert to ASCII
c35f f7 d0 1b [4]      STAB  DBUFR+4   Store to units digit
c362 8f      [3]      XGDX           10s digit to D (A:B)
c363 cb 30   [2]      ADDB   #$30     Convert to ASCII
c365 f7 d0 1a [4]      STAB  DBUFR+3   Store in decimal buffer
c368 32      [4]      PULA           Restore registers
c369 33      [4]      PULB
c36a 38      [5]      PULX
c36b 39      [5]      RTS            **Return**

```

Listing - Timer Examples

Sheet 15 of 16

```

***
* H6TOD8 - Subroutine to convert a 24-bit hex number to
*          an 8 digit decimal number.
*
* Uses 3 byte variable "HTEMP" for hex working value
* Uses 8 byte variable "DBUFR" for decimal ASCII result
* On entry X points to the hex value to be converted &
* displayed
* All registers are unchanged upon return
***

c36c 18 3c      [5] H6TOD8 PSHY      Save registers
c36e 3c        [4]         PSHX
c36f 37        [3]         PSHB
c370 36        [3]         PSHA
c371 ec 01     [5]         LDD    1,X      Move hex to HTEMP to convert
c373 fd d0 0b [5]         STD    HTEMP+1  Two lower bytes moved
c376 a6 00     [4]         LDAA  0,X      Upper byte
c378 b7 d0 0a [4]         STAA  HTEMP
c37b 18 ce d0 17 [4]      LDY    #DBUFR   Pnt @ MS digit of decimal buf'r
c37f ce c4 0d [3]         LDX    #CON10M  Point at first 24-bit constant

c382 4f        [2] HTDLP  CLRA      A keeps track of # of subtracts
c383 4c        [2] HLPIN  INCA      Inner loop; once per subtract
c384 f6 d0 0c [4]         LDAB  HTEMP+2  Start 24-bit subtract
c387 e0 02     [4]         SUBB  2,X
c389 f7 d0 0c [4]         STAB  HTEMP+2  Update low byte
c38c f6 d0 0b [4]         LDAB  HTEMP+1  Middle byte
c38f e2 01     [4]         SBCB  1,X      Sub with carry
c391 f7 d0 0b [4]         STAB  HTEMP+1  Update middle byte
c394 f6 d0 0a [4]         LDAB  HTEMP      High byte
c397 e2 00     [4]         SBCB  0,X
c399 f7 d0 0a [4]         STAB  HTEMP      Update high byte
c39c 24 e5     [3]         BCC   HLPIN   If no borrow; subtract again

c39e f6 d0 0c [4]         LDAB  HTEMP+2  Last subtract too far; add back
c3a1 eb 02     [4]         ADDB  2,X
c3a3 f7 d0 0c [4]         STAB  HTEMP+2  Update low byte
c3a6 f6 d0 0b [4]         LDAB  HTEMP+1  Middle byte
c3a9 e9 01     [4]         ADCB  1,X      Sub with carry
c3ab f7 d0 0b [4]         STAB  HTEMP+1  Update middle byte
c3ae f6 d0 0a [4]         LDAB  HTEMP      High byte
c3b1 e9 00     [4]         ADCB  0,X
c3b3 f7 d0 0a [4]         STAB  HTEMP      Update high byte

c3b6 8b 2f     [2]         ADDA  #$2F   Convert digit to ASCII
c3b8 18 a7 00 [5]         STAA  0,Y      Store to decimal buffer
c3bb 18 08     [4]         INY                    Point to next decimal digit
c3bd 08        [3]         INX                    Point to next 24-bit const
c3be 08        [3]         INX
c3bf 08        [3]         INX
c3c0 8c c4 22 [4]         CPX    #CONEND  See if done yet
c3c3 26 bd     [3]         BNE   HTDLP   If not done, do nxt digit

```


Listing - Timer Examples

Sheet 16 of 16

```

c3c5 b6 d0 0c    [4]      LDAA  HTEMP+2      Get 1s digit
c3c8 8b 30      [2]      ADDA  # $30        Convert to ASCII
c3ca 18 a7 00   [5]      STAA  0,Y          Store to last decimal digit

c3cd 32          [4]      PULA                    Restore registers
c3ce 33          [4]      PULB
c3cf 38          [5]      PULX
c3d0 18 38      [6]      PULY
c3d2 39          [5]      RTS                    ** Return from H6TOD8 **

*
* Display Messages & Constants
*
c3d3 20 43 79 63 6c MSGCYC FCC    ' Cycles      '
      65 73 20 20 20
      20 20
c3df 04          FCB    $04          End-of-message mark
c3e0 20 48 7a    MSGHZ  FCC    ' Hz'
c3e3 04          FCB    $04          End-of-message mark
c3e4 46 72 65 71 2e MSGER1 FCC    'Freq. is too high'
      20 69 73 20 74
      6f 6f 20 68 69
      67 68
c3f5 04          FCB    $04          End-of-message mark
c3f6 20 6d 69 63 72 MSGMS  FCC    ' microseconds'
      6f 73 65 63 6f
      6e 64 73
c403 04          FCB    $04          End-of-message mark
c404 20 53 65 63 6f MSGSEC FCC    ' Seconds'
      6e 64 73
c40c 04          FCB    $04          End-of-message mark

c40d 98 96 80    CON10M FCB    $98,$96,$80 = 24-bit equiv of 10,000,000
c410 0f 42 40    FCB    $0F,$42,$40 = 24-bit equiv of 1,000,000
c413 01 86 a0    FCB    $01,$86,$A0 = 24-bit equiv of 100,000
c416 00 27 10    FCB    $00,$27,$10 = 24-bit equiv of 10,000
c419 00 03 e8    FCB    $00,$03,$E8 = 24-bit equiv of 1,000
c41c 00 00 64    FCB    $00,$00,$64 = 24-bit equiv of 100
c41f 00 00 0a    FCB    $00,$00,$0A = 24-bit equiv of 10
c422            CONEND EQU    *          Don't need 1s const

* END OF FILE

0 error(s)

```


Section 11. Pulse Accumulator

11.1 Contents

11.2	Introduction	443
11.3	General Description	444
11.3.1	Pulse Accumulator Block Diagram	445
11.3.2	Pulse Accumulator Control and Status Registers	447
11.4	Event Counting Mode	450
11.4.1	Interrupting after N Events	451
11.4.2	Counting More Than 256 Events	451
11.5	Gated Time Accumulation Mode	453
11.5.1	Measuring Times Longer Than the Range of the 8-Bit Counter	454
11.5.2	Configuring for Interrupt after a Specified Time	455
11.6	Other Uses for the PAI Pin	455
11.7	Timing Details for the Pulse Accumulator	455

11.2 Introduction

The pulse accumulator, which is similar to the timers in older M6805 microcontroller units (MCU), is a much simpler system than the main timer discussed in **Section 10. Main Timer and Real-Time Interrupt**. This system is based on an 8-bit counter and can be configured to operate as a simple event counter or for gated time accumulation. Unlike the main timer, the 8-bit pulse accumulator counter can be read or written at any time (the 16-bit counter in the main timer cannot be written). Control bits allow the user to configure and control the pulse accumulator subsystem. Two maskable interrupts are associated with the system, each having its own controls and interrupt vector.

The port A bit 7 I/O pin (PA7/PAI/OC1) associated with the pulse accumulator can be configured to act as a clock (event counting mode) or as a gate signal to enable a free-running E divided by 64 clock to the 8-bit counter (gated time accumulation mode). The alternate functions of the pulse accumulator input (PAI) pin present some interesting application possibilities.

11.3 General Description

The pulse accumulator is an 8-bit counter/timer system that can be configured to operate in either of two basic modes. In the event counting mode, the 8-bit counter is clocked to increasing values at each active edge of the PAI pin. In the gated time accumulation mode, the 8-bit counter is clocked by a free-running E divided by 64 clock subject to the PAI pin being active. **Figure 11-1** is a simplified block diagram of the pulse accumulator in each of these two possible modes.

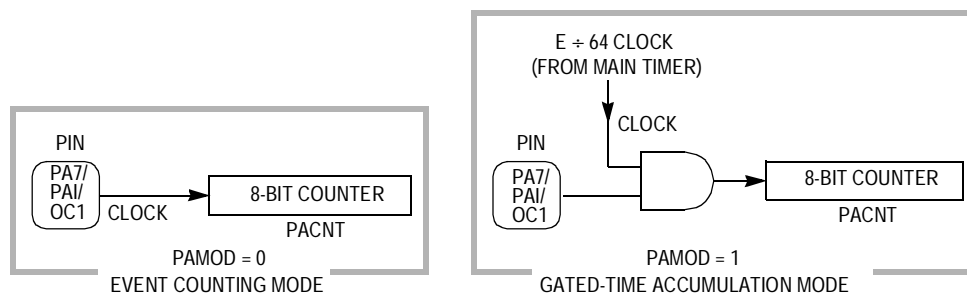


Figure 11-1. Pulse Accumulator Operating Modes

Table 11-1 summarizes the important timing periods for the pulse accumulator (when operating in gated time accumulation mode) for various common crystal rates. The formulas at the bottom of the table can be used for a different crystal frequency than those shown.

Table 11-1. Pulse Accumulator Timing Periods versus Crystal Rate

E	Crystal Frequency	E Period	1 Count (Resolution)	Overflow (Range)
2.1 MHz	2 ²³ Hz	477 ns	30.52 μs	7.81 ms
2 MHz	8 MHz	500 ns	32 μs	8.19 ms
1 MHz	4 MHz	1 μs	64 μs	16.38 ms
Formula:			64 (E period)	16,384 (E period)

The free-running $E \div 64$ clock is a tap off the main timer clocking chain (see [10.4.1 Overall Clock Divider Structure](#) and [Figure 10-3. Timing Summary for Oscillator Divider Signals](#)). In general, any signal applied to the PAI pin is asynchronous to this $E \div 64$ clock; therefore, the first count could occur anywhere between zero and 64 E clocks after the PAI pin goes to the chosen active level.

User software can enable the pulse accumulator system, select its mode, and determine the polarity of signals recognized at the PAI pin. Two separate interrupts are associated with the pulse accumulator system: One is generated by detection of a selected edge at the PAI pin; the other is generated when the 8-bit counter rolls over from \$FF to \$00 (overflow). Each of these interrupt sources has its own local enable bit and its own interrupt vector; thus, no software polling is required to determine the cause of any pulse accumulator interrupts.

11.3.1 Pulse Accumulator Block Diagram

[Figure 11-2](#) is a functional block diagram of the pulse accumulator subsystem. The central element of this system is an 8-bit up-counter that can be read or written at any time. The pulse accumulator enable (PAEN) control bit enables/disables this 8-bit counter. The pulse accumulator mode (PAMOD) bit selects the clock source to this counter. In the event counting mode, the clock is the output of the edge detector of the PAI pin. In the gated time accumulation mode, the clock is a free-running, internal $E \div 64$ clock ANDed (gated) with the active level of the PAI pin. The pulse accumulator edge select (PEDGE) bit controls the polarity of signals on the PAI pin that will be recognized by the pulse accumulator system.

The pulse accumulator overflow interrupt enable (PAOVI) bit determines whether a pulse accumulator overflow interrupt flag (PAOVF) will generate hardware interrupt requests. The pulse accumulator input edge interrupt enable (PAII) bit determines whether detected edges at the PAI pin will cause the pulse accumulator input flag (PAIF) to be set (generating hardware interrupt requests). In addition to the PAII and PAOVI local interrupt enables, these interrupts are subject to masking by the I bit in the condition code register in the central processor unit (CPU). For additional information about interrupts, refer to [Section 5. Resets and Interrupts](#).

11.3.2 Pulse Accumulator Control and Status Registers

Figure 11-3 through **Figure 11-6** show all control and status registers related to the pulse accumulator. Each of these registers and bits is discussed in detail in the following paragraphs.

The 8-bit pulse accumulator counter (PACNT—\$1027) is not affected by reset and can be read or written any time. Counting is synchronized to the internal PH2 clock so that incrementing and reading occur during opposite half cycles.

Address: \$1024

	Bit 7	6	5	4	3	2	1	Bit 0
Read:	TOI	RTII	PAOVI	PAII	0	0	PR1	PR0
Write:								
Reset:	0	0	0	0	0	0	0	0

Figure 11-3. Timer Interrupt Mask 2 Register (TMSK2)

Address: \$1025

	Bit 7	6	5	4	3	2	1	Bit 0
Read:	TOF	RTIF	PAOVF	PAIF	0	0	0	0
Write:								
Reset:	0	0	0	0	0	0	0	0

Figure 11-4. Timer Interrupt Flag 2 Register (TFLG2)

Address: \$1026

	Bit 7	6	5	4	3	2	1	Bit 0
Read:	DDRA7	PAEN	PAMOD	PEDGE	0	0	RTR1	RTR0
Write:								
Reset:	0	0	0	0	0	0	0	0

Figure 11-5. Pulse Accumulator Control Register (PACTL)

Address: \$1027

	Bit 7	6	5	4	3	2	1	Bit 0
Read:	Bit 7	6	5	4	3	2	2	Bit 0
Write:								
Reset:	Unaffected by reset							

Figure 11-6. Pulse Accumulator Count Register (PACNT)

The following paragraphs describe the pulse accumulator-related bits in the PACTL register (see [Figure 11-7](#)). Bits 2 and 3 are not implemented and always read as 0s. Although bits 0 and 1 are not related to the pulse accumulator, an awareness of these real-time interrupt (RTI) rate bits is necessary to prevent inadvertent change while writing to the pulse accumulator-related bits.

Address: \$1026

	Bit 7	6	5	4	3	2	1	Bit 0
Read:	DDRA7	PAEN	PAMOD	PEDGE	0	0	RTR1	RTR0
Write:								
Reset:	0	0	0	0	0	0	0	0

Figure 11-7. Pulse Accumulator-Related Bits in PACTL

DDRA7 — Data Direction Control for Port A Bit 7

- 0 = Port A bit 7 configured for input only (output buffer disabled)
- 1 = Port A bit 7 configured for output

Normally, when the pulse accumulator is used, the PAI pin will be configured as an input. In unusual cases, the PA7/PAI/OC1 pin can be configured as an output to allow OC1 or a software output to drive the pulse accumulator system. Since the input buffer is always connected to the pin (even when the pin is configured as an output), any output function that is controlling the PA7 pin will also be driving the pulse accumulator.

PAEN — Pulse Accumulator Enable Bit

- 0 = Pulse accumulator disabled
- 1 = Pulse accumulator enabled

When the pulse accumulator is disabled, the 8-bit counter stops counting, and pulse accumulator interrupts are inhibited. Though the flags cannot become set, they will remain set if they were 1s at the time the pulse accumulator was disabled.

PAMOD — Pulse Accumulator Mode Select Bit

- 0 = External event counting mode (pin acts as clock)
- 1 = Gated time accumulation mode (pin acts as clock enable for $E \div 64$ clock)

PEDGE — Pulse Accumulator Edge Select Bit

0 = Pulse accumulator responds to falling edges
(inhibit gate level is 0).

1 = Pulse accumulator responds to rising edges
(inhibit gate level is 1).

In gated time accumulation mode (PAMOD = 1), the PEDGE bit has added meaning. In addition to specifying the edge polarity that causes the PAIF bit to be set, PEDGE also controls the inhibit gate level, which disables the internal, free-running $E \div 64$ clock to the pulse accumulator counter. The PAIF interrupts occur at the trailing edge of a gate enable signal; thus, selecting falling edges causes the free-running $E \div 64$ clock to be disabled while the PAI pin is low.

Figure 11-8, **Figure 11-9**, and the following paragraphs explain the pulse accumulator interrupt flags and the pulse accumulator interrupt enable bits. The other shaded bits in these registers not related to the pulse accumulator system are discussed in **Section 10. Main Timer and Real-Time Interrupt**.

Address: \$1024

	Bit 7	6	5	4	3	2	1	Bit 0
Read:	TOI	RTII	PAOVI	PAII	0	0	PR1	PR0
Write:								
Reset:	0	0	0	0	0	0	0	0

Figure 11-8. Pulse Accumulator Interrupt Enable Bits

Address: \$1025

	Bit 7	6	5	4	3	2	1	Bit 0
Read:	TOF	RTIF	PAOVF	PAIF	0	0	0	0
Write:								
Reset:	0	0	0	0	0	0	0	0

Figure 11-9. Pulse Accumulator Interrupt Flags

PAOVI — Pulse Accumulator Overflow Interrupt Enable Bit

PAOVF — Pulse Accumulator Overflow Interrupt Flag

The PAOVF status bit is set to 1 automatically each time the pulse accumulator count rolls over from \$FF to \$00. This status bit is

cleared by writing to the TFLG2 register with a 1 in the corresponding data bit position (bit 4). The PAOVI control bit allows the user to configure the pulse accumulator overflow for polled or interrupt-driven operation but does not affect the setting or clearing of PAOVF. When PAOVI is 0, pulse accumulator overflow interrupts are inhibited, and the system is operating in a polled mode. In this mode, PAOVF must be polled (sampled) by user software to determine when an overflow has occurred. When the PAOVI control bit is 1, a hardware interrupt request is generated each time PAOVF is set to 1. Before leaving the interrupt service routine, software must clear PAOVF by writing to the TFLG2 register. For additional information, refer to [10.4.4 Tips for Clearing Timer Flags](#).

PAII — Pulse Accumulator Input Edge Interrupt Enable Bit

PAIF — Pulse Accumulator Input Edge Interrupt Flag

The PAIF status bit is set to 1 automatically each time a selected edge is detected at the PA7/PAI/OC1 pin. This status bit is cleared by writing to the TFLG2 register with a 1 in the corresponding data bit position (bit 5). The PAII control bit allows the user to configure the pulse accumulator input edge detect for polled or interrupt-driven operation but does not affect the setting or clearing of the PAIF bit. When PAII is 0, pulse accumulator input interrupts are inhibited, and the system is operating in a polled mode. In this mode, the PAIF bit must be polled (sampled) by user software to determine when an edge has occurred. When the PAII control bit is 1, a hardware interrupt request is generated each time PAIF is set to 1. Before leaving the interrupt service routine, software must clear PAIF by writing to the TFLG2 register. For additional information, refer to [10.4.4 Tips for Clearing Timer Flags](#).

11.4 Event Counting Mode

Many MCU applications require "things" to be counted. These things are called events, but in real applications they might be anything: pieces on an assembly line, cycles of an incoming signal, or units of time. To be counted by the pulse accumulator, these things must be translated into

rising or falling edges on the PAI pin. Either edge will do because software can pick which edge will be recognized.

A trivial example of event counting might be to count pieces on an assembly line. A light emitter/detector pair could be placed across the path of the pieces so that, as each piece passes the sensor, the light beam is interrupted and a logic-level signal is produced, which can be connected to the PAI pin.

11.4.1 Interrupting after N Events

By writing to the PACNT, the pulse accumulator can be set up to produce an interrupt after N events. The trick is to write the twos complement of the number (N) to PACNT so that the counter will overflow after N counts. If the following program sequence is used, the PACNT will overflow after the 100th count:

----	86	64	[2]	LDAA	#100	Hex (\$64)
----	40		[2]	NEGA		Twos complement (\$9C)
----	b7	10	27	[4]	STAA	PACNT Store to pulse accum counter

11.4.2 Counting More Than 256 Events

More than 256 events can be counted by using software to keep track of how many times the PACNT overflows. Before the first event, calculate the number of overflows needed and a value corresponding to any remainder that is left after seeing how many whole times 256 goes into the intended count. Two cases are used as examples. In the first case, 512 (\$0200) events will be counted; in the second case, 515 (\$0203) events will be counted. In both cases, assume the desired count is in the D register. Since D is the concatenation of the A register (upper 8 bits of D) and the B register (lower 8 bits of D), division to see how many whole times 256 can go into the desired count is not necessary (the A register has this count).

For case 1, two overflows are needed (there is no remainder). Zero is stored to PACNT. For reasons illustrated in the following paragraphs, the user may want to negate the B register instead and store the result to PACNT (negative of \$00 is \$00). Save A in a RAM variable so software

can decrement it at each overflow. As the pulse accumulator starts counting, the first overflow will occur after detecting the 256th event (counter counts \$00–01–02 ... FE–FF–00). The second overflow will occur after the 512th count. If the RAM variable was decremented at each overflow (it started at \$02), it would become \$00 after the second overflow (for instance, after the desired 512 events).

For case 2, negate the B register and store the result to PACNT (negative of \$03 is \$FD). As the pulse accumulator starts counting, the first overflow will occur after detecting the third event (counter counts \$FD–FE–FF–00). The second overflow will occur after the 259th count, and the third overflow will occur after the 515th count. A third overflow is needed because there was an initial remainder that had to be counted before starting to count whole sets of 256 events.

The user can write a program that will handle either case by checking the B register to see if it was 0. If it was not 0, the A register is incremented before storing it to the RAM variable that keeps track of overflows. Before negating the B register, test B and branch around an increment A register instruction if the B register was 0. This procedure is demonstrated in the following partial listing:

```

---- cc 02 03 [3]      LDD #515   Get desired count in A:B
---- 40          [2]      TSTB       Test for remainder count
---- 27 01       [2]      BEQ  ARNINC  If none; skip the INCA
---- 4c          [2]      INCA        Increment the overflow count
---- 50          [2] ARNINC  NEGB       Twos complement remainder in B
---- f7 10 27   [4]      STAB  PACNT  Store to pulse accum counter
---- b7 D0 00   [4]      STAA  OVCNT  Store to RAM overflow variable

```

The test B instruction can be eliminated (saving a byte of program space and two cycles of execution time) by checking the carry flag that results after the negate-B operation. Carry is set in all cases except when B is 0). The following partial listing demonstrates this slightly shorter procedure:

```

---- cc 02 03 [3]      LDD #515   Get desired count in A:B
---- 50          [2]      NEGB       C-bit only cleared if B was 0
---- 27 01       [2]      BCC  ARNINC  If B was ($00); skip the INCA
---- 4c          [2]      INCA        Increment the overflow count
---- f7 10 27   [4] ARNINC  STAB  PACNT  Store twos comp. remainder
---- b7 D0 00   [4]      STAA  OVCNT  Store to RAM overflow variable

```

This alternate approach illustrates that a sophisticated, careful user can sometimes find tricks to save memory and execution time, but are they that important in all MCU applications? The costs of this trick and others like it are:

1. It often makes the program slightly more difficult to understand (more risk of a mistake).
2. It takes extra development time. Remember, the savings in this case is just one byte of program space and two cycles of execution time.

11.5 Gated Time Accumulation Mode

This mode changes the pulse accumulator from a counter into a timer. In this mode, the 8-bit PACNT is incremented every 64th E-clock cycle provided the PAI pin is active. The PEDGE bit controls which level at the PAI pin inhibits counting. This mode is called gated time accumulation mode because the PACNT can be used to accumulate the total time the pin was active over a series of pulses. Each time the PAI pin goes to the chosen active level, the PACNT continues to count from where it left off at the end of the previous pulse.

A more common use of gated time accumulation mode is to measure the duration of single pulses (pulse-width measurement). Since this counter does not start counting until the input signal becomes active, pulse-width measurement is done a little differently than it would be with a main timer input capture. With the pulse accumulator, the counter is set to 0 before the pulse starts, and the resulting pulse time is directly read when the pulse is finished; whereas, with input capture, it is necessary to capture a starting count and an ending count and subtract.

Separate maskable interrupts are generated at counter overflow and at the trailing edge of the counter enable signal on the PAI pin. The overflow interrupt is useful for generating interrupts after a specific time delay from when the pin became active or for measuring signals longer than the range of the 8-bit counter. The PAI pin-related interrupt is useful for signaling the end of a timing period; software can then be used to see how long the input was active. These two interrupts can be used together

to create a pulse-width discriminator — for example, write the counter to a value that would cause an overflow interrupt half way between the time of the shorter pulse width and the longer pulse width. If the overflow triggers before the PAI pin interrupt, the pulse is the longer size. If the pin interrupt triggers before the overflow interrupt, the pulse is the shorter size. If the pulse widths are longer than the range of the 8-bit counter, incorporate a software overflow counter into the overflow service routine and use the timeout of this software count, instead of the first PAOVF interrupt, to discriminate between pulse durations.

11.5.1 Measuring Times Longer Than the Range of the 8-Bit Counter

Extending the timing range is done in much the same way as it is for input captures. Because the pulse accumulator is 8 bits rather than 16 bits, overflows happen more often. As long as the input signal is active, the user would count overflows. The PAI pin interrupt indicates when the pulse ends (by setting the PAIF status bit and optionally generating an interrupt). The period of the pulse will be:

$$(256 N + PACNT) \times (64 E \text{ periods/count})$$

where:

N equals the number of overflows

PACNT equals the final count in the 8-bit pulse accumulator counter

The problems associated with overflows, which occur near input capture edges in the main timer, are not present in the pulse accumulator. Since the PACNT is not running before the leading edge of the pulse, there is no potential confusion about an overflow near this edge. At the trailing edge of the pulse, the PACNT also stops so any pending overflow will count in the total. The PAOVF interrupt is higher priority than the PAIF interrupt; therefore, a just-in-time overflow will always be serviced before servicing the trailing edge of a pulse so the PAIF service routine does not have to check for an overflow.

11.5.2 Configuring for Interrupt after a Specified Time

This concept is the time equivalent of setting up an interrupt after N events, which was previously discussed. First, calculate the number of $E \div 64$ counts, which would be equivalent to the time period the user wants to specify. For example, if a delay of 5 ms is desired, divide 5 ms by the time for one $E \div 64$ count (from [Table 11-1](#), one count equals 32 μs for $E = 2$ MHz). Since 5 ms divided by 32 μs equals 156.25, truncate to 156. The resolution of the counter causes a tolerance of $\pm 32 \mu\text{s}$ (64 E periods; $E = 2$ MHz). Next, take the two's complement of this value and store the result in the PACNT. When the input goes to its chosen active level, the counter will start incrementing every 64 E cycles. An overflow will occur after the 156th count.

11.6 Other Uses for the PAI Pin

At any time, software can read the logic level on the PA7/PAI/OC1 pin even if one or more of the other functions associated with this pin is also enabled. This pin can also be used as an extra edge-triggered interrupt input pin when the pulse accumulator functions are not needed. (In fact, examples have been presented in this chapter where this pin is being used as an edge-triggered interrupt even while the pulse accumulator is being used.) This pin has some advantages over the $\overline{\text{IRQ}}$ pin. The PEDGE control bit allows the user to select either rising or falling edges. ($\overline{\text{IRQ}}$ cannot be configured to detect rising edges.) The PAII control bit allows the user to locally enable or disable this interrupt; in addition, the I bit in the CPU condition code register acts as a global enable for all I-bit-related interrupts. Finally, the PAIF status flag allows software to detect a pending $\overline{\text{PAI}}$ pin interrupt and to clear the pending interrupt if necessary (with $\overline{\text{IRQ}}$ this function is not possible).

11.7 Timing Details for the Pulse Accumulator

The timing information presented in the following paragraphs is much more detailed than most users will ever need. This information is not intended to replace guaranteed data sheet timing information.

Figure 11-10 shows the timing related to edge detection at the PA7/PAI/OC1 pin. Primarily, this timing concerns the event counting mode, but the setting of the PAIF status flag applies to gated time accumulation mode as well. PAI signals are synchronized to the internal phase 2 (PH2) clock to prevent any interference between clocking and reading the PACNT. This synchronization process limits the maximum counting rate for the pulse accumulator to one-half the E-clock frequency.

Any incoming edge [1] presented after the rising edge of E but before the next rising edge of E is recognized during PH2 high and causes the PAIF status flag [2] to be set at the falling edge of that PH2. In event counting mode, the PACNT counter is incremented at that same PH2 falling edge. The soonest another edge can be detected is two cycles later [3].

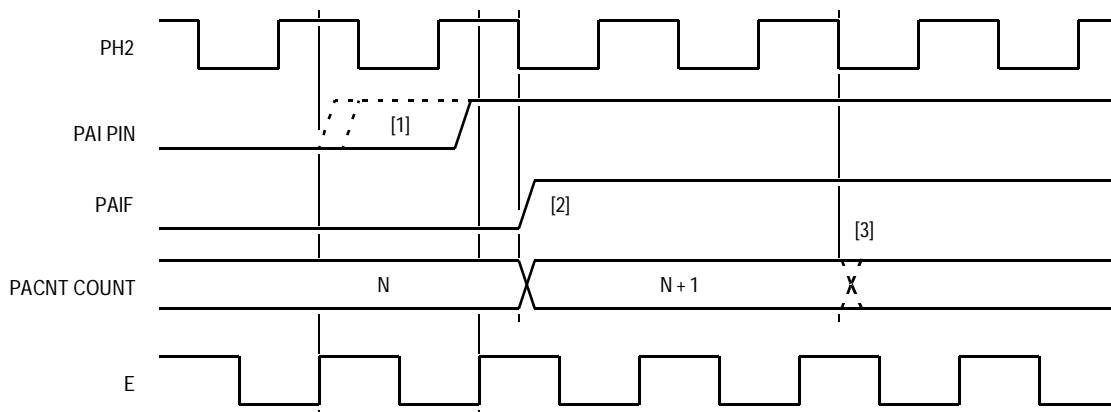


Figure 11-10. PAI Pin Edge-Detection Timing

In gated time accumulation mode, an internal, free-running $E \div 64$ clock drives the PACNT whenever the PAI pin is at its chosen active level.

Figure 11-11 shows the timing relationship between the counter enable signal at the PAI pin [1] and the start of counting. In general, the signal at the PAI pin is asynchronous to the free-running $E \div 64$ clock; thus, there would be an uncertainty about the delay between the active level at the PAI pin and the first increment of the PACNT. The first increment could come as early as [2], as late as [5], or at any PH2 falling edge between (such as [3], [4], etc.).

Knowing the relationship between software and the free-running $E \div 64$ clock is not normally useful, but it is theoretically possible to determine this relationship. From [Figure 10-3. Timing Summary for Oscillator Divider Signals](#) and the prescale control bit values (PR1–PR0), it can be determined where the $E \div 64$ clock is tapped off the main timer. Software can then read the low-order half of the 16-bit main timer counter to see when the next edge will appear at the tap point. Because this procedure can be involved, it is not worth pursuing unless there is a very good reason.

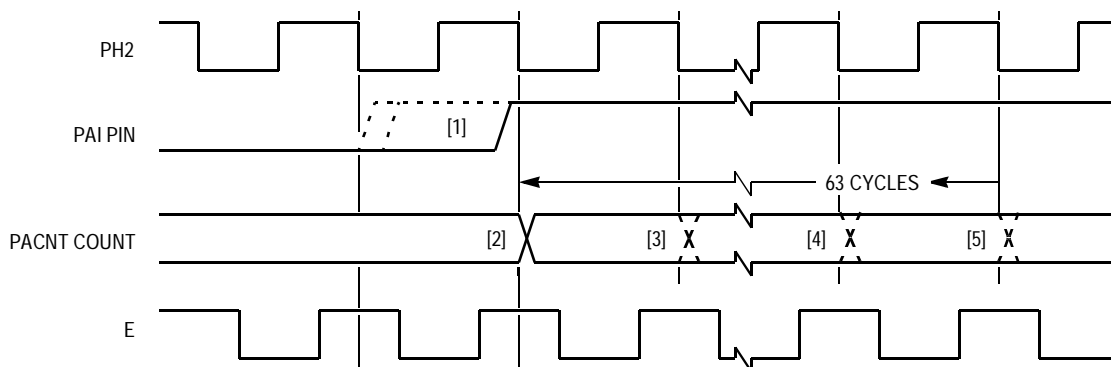


Figure 11-11. Pin Enable versus Counting (Gated Accumulation Mode)

[Figure 11-12](#) shows timing details for a pulse accumulator counter overflow. At the PH2 falling edge where the PACNT count changes from \$FF to \$00 [1], the PAOVF bit also is set [2].

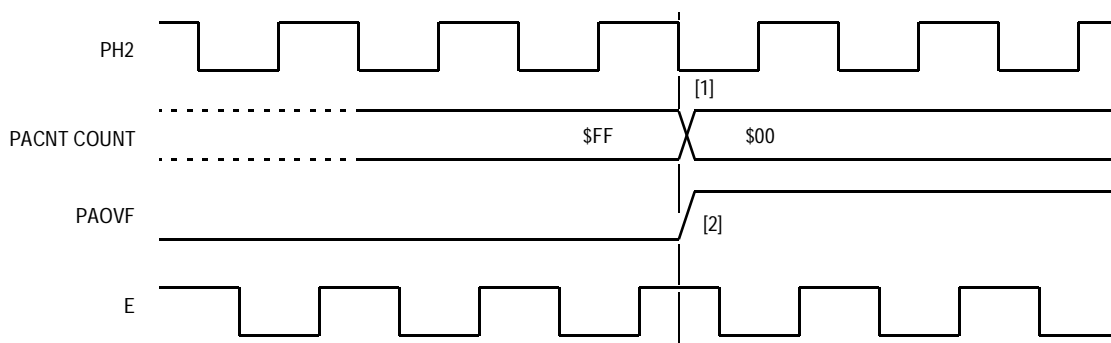
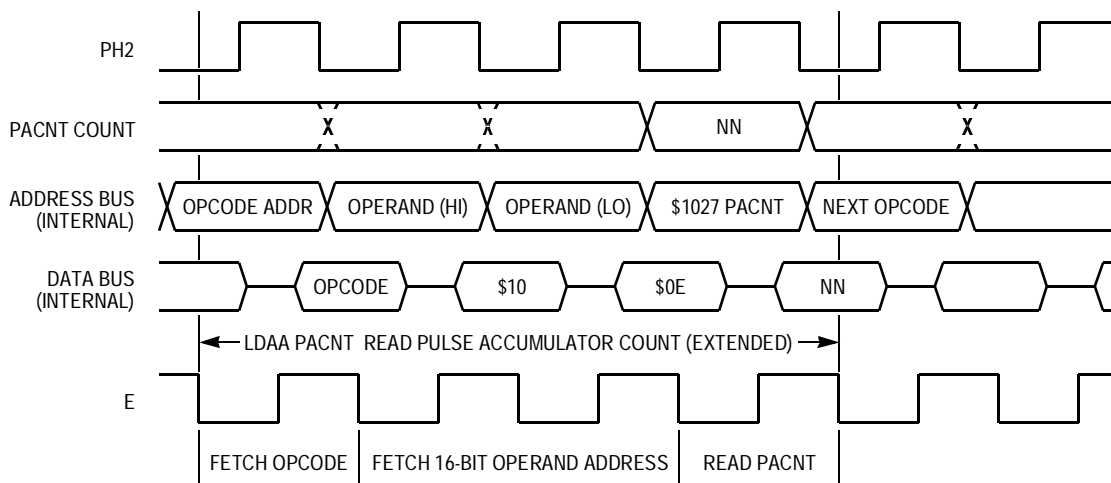


Figure 11-12. Timing Details for Pulse Accumulator Counter Overflow

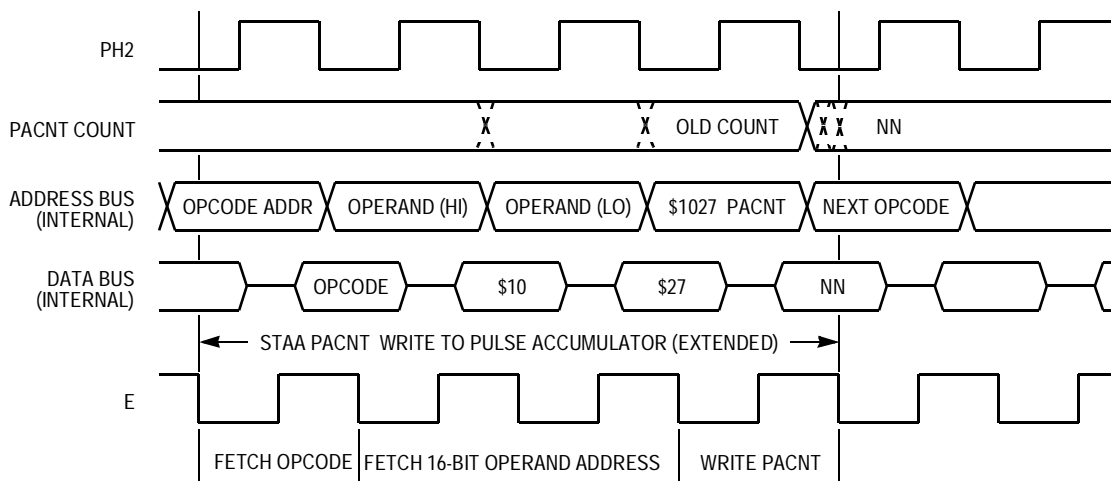
Reading or writing to the PACNT occurs in a portion of the PH2 cycle that eliminates conflicts between accesses to PACNT and counting.

1. **Figure 11-13(a)** shows the detailed timing for a read of PACNT.
2. **Figure 11-13(b)** shows a write.

The address and data buses shown in **Figure 11-13** are the internal buses that have different timing than the external buses.



(a) PACNT Read



(b) PACNT Write

Figure 11-13. PACNT Read and Write

Section 12. Analog-to-Digital Converter System

12.1 Contents

12.2	Introduction	459
12.3	Charge-Redistribution A/D	460
12.4	A/D Converter Implementation on MC68HC11A8	471
12.4.1	MC68HC11A8 Successive-Approximation A/D Converter	471
12.4.2	A/D Charge Pump and Resistor-Capacitor (RC) Oscillator	472
12.4.3	MC68HC11A8 A/D System Control Logic	474
12.4.4	A/D Control/Status Register (ADCTL)	476
12.4.5	A/D Result Registers (ADR4–AD1)	478
12.5	A/D Pin Connection Considerations	478

12.2 Introduction

The MC68HC11A8 analog-to-digital (A/D) converter system uses an all-capacitive charge-redistribution technique for conversions. The A/D system is an 8-channel, 8-bit, successive approximation converter with $\pm 1/2$ least significant bit (LSB) accuracy over the complete operating temperature range. Because of the charge-redistribution technique, no external sample and hold circuits are required.

This section first discusses the charge-redistribution technique, which is useful in understanding subtle details concerning the application of the MC68HC11A8 A/D system. The second part of this section includes a detailed description of the MC68HC11A8 A/D system and features. The section concludes with a discussion of how external circuitry can influence A/D accuracy.

12.3 Charge-Redistribution A/D

Figure 12-1 shows a simplified circuit to perform a 4-bit, successive-approximation A/D conversion using charge redistribution. The actual circuit used in the MC68HC11A8 includes several additions to this simple circuit to improve quality and simplify manufacturing. After an initial introduction to the charge-redistribution technique, some of these additions are discussed. Since the capacitive charge redistribution technique depends upon capacitance ratios rather than absolute capacitance values, the capacitors in **Figure 12-1** are marked in units.

During the sample time (**Figure 12-1(a)**), the top plate of all capacitors is switched to V_L (0.0 V), and the bottom plates are connected to the unknown analog input, V_X . Using the simple relationship $Q_S = CV$, the total charge may be calculated by:

$$Q_S = 16(V_X - V_L)$$

Unless otherwise stated, it is assumed V_L equals 0.0 V; therefore,

$$Q_S = 16 V_X$$

Next, the circuit is changed to the hold state by logically controlled analog switches (**Figure 12-1(b)**). In this state, the top plates are disconnected from V_L , and the bottom plates are switched from V_X to V_L . The charge is now written as:

$$Q_H = (V_L - V_i) 16$$

Since $V_L = 0$

$$Q_H = -16 V_i$$

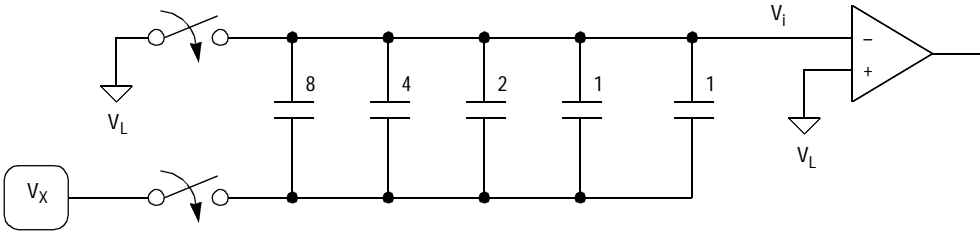
Since charge is conserved, Q_S equals Q_H ; therefore,

$$16 V_X = -16 V_i$$

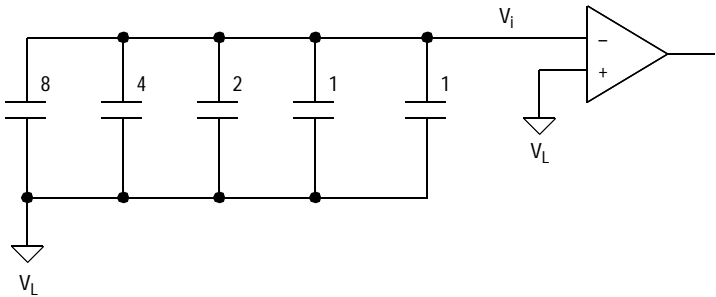
$$V_X = -V_i$$

$$V_i = -V_X$$

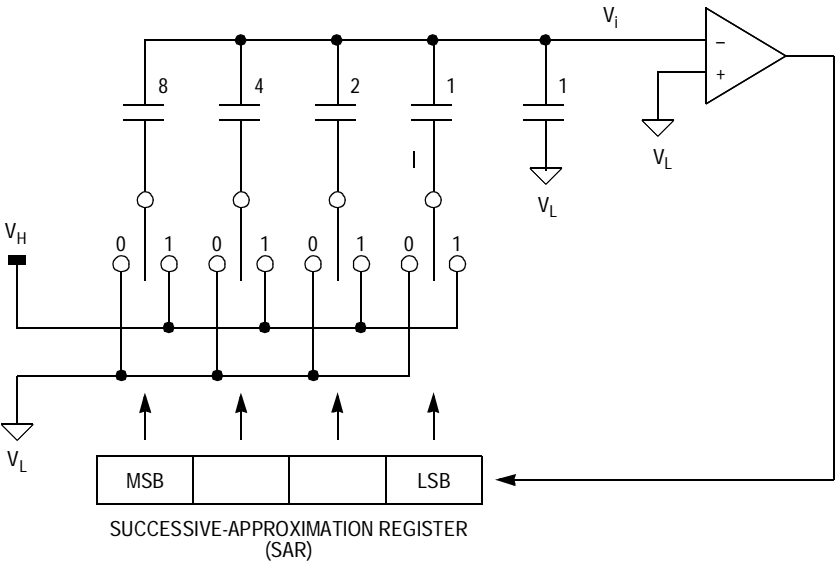
which is the initial voltage at the input of the comparator.



(a) Sample Mode



(b) Hold Mode



(c) Approximation Mode

Figure 12-1. Basic Charge-Redistribution A/D

Analog-to-Digital Converter System

Finally, in the conversion portion of the A/D process, each capacitor, beginning with the largest one, which corresponds to the most significant bit (MSB) of the digital result, is switched from V_L (0.0 V) to V_H . The output of the comparator, after each capacitor is switched, determines whether the bottom plate of that capacitor will remain at V_H or be returned to V_L before the next capacitor is switched.

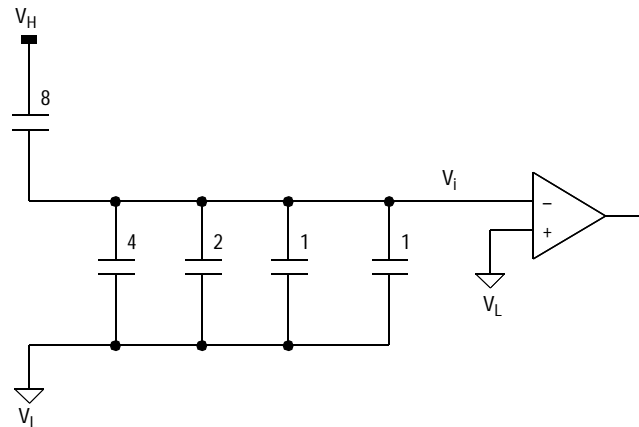
To understand how the process works, a conversion sequence is presented for an analog input, (V_X equals $21/32 (V_H)$).

During the sample time, the capacitors attain a total charge

$$Q_S = 16 V_X = (16) 21/32 (V_H) = 21/2 V_H$$

During hold, the minus input to the comparator (V_i) goes to $-V_X$ or $-21/32 V_H$.

Next, the 8-unit capacitor is switched from V_L to V_H resulting in the following circuit:



The charge is written as follows:

$$Q = 8 (V_H - V_i) + 8 (V_L - V_i)$$

but $V_L = 0$; thus,

$$Q = 8 V_H - 8 V_i - 8 V_i$$

$$Q = 8 V_H - 16 V_i$$

By charge conservation, this charge is set equal to the original charge obtained during the sample time:

$$21/2 V_H = 8 V_H - 16 V_i$$

Solving for V_i yields the following results:

$$16 V_i = 8 V_H - 21/2 V_H$$

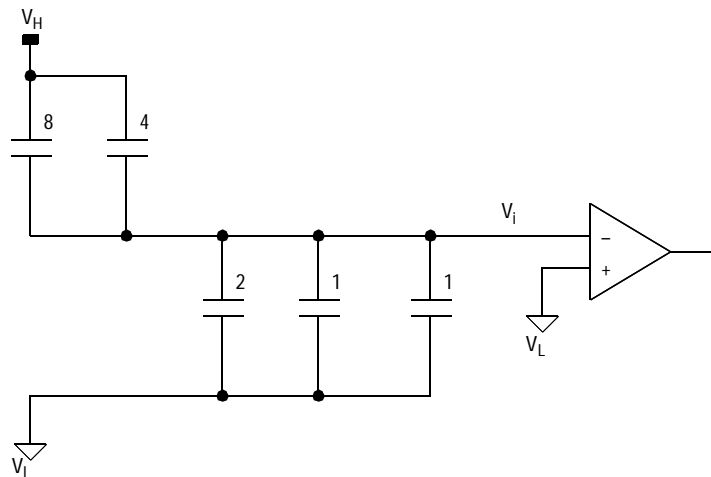
$$V_i = 1/2 V_H - 21/32 V_H$$

$$V_i = - 5/32 V_H$$

which is negative.

Since the output of the comparator is a logic 1, the 8-unit capacitor remains connected to V_H for the next step. Also, bit 3 of the successive-approximation register (SAR) is set to a logic 1. After the conversion sequence, the SAR contains the digital equivalent of the original analog input.

Next, the 4-unit capacitor will be switched from V_L to V_H resulting in the following circuit:



The charge is written as follows:

$$Q = 8 (V_H - V_i) + 4(V_H - V_i) - 4 V_i$$

$$Q = 8 V_H - 8 V_i + 4 V_H - 4 V_i - 4 V_i$$

$$Q = 12 V_H - 16 V_i$$

By charge conservation, this charge is set equal to the original charge:

$$21/2 V_H = 12 V_H - 16 V_i$$

Solving for V_i yields the following results:

$$16 V_i = 12 V_H - 21/2 V_H$$

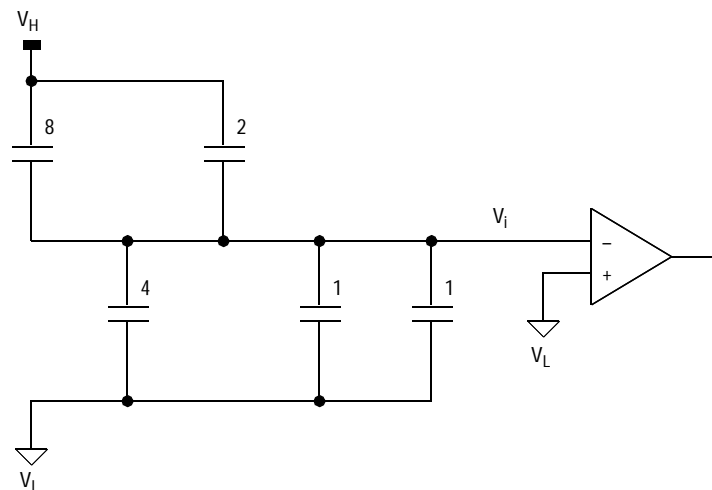
$$16 V_i = 3/2 V_H$$

$$V_i = 3/32 V_H$$

which is positive.

The output of the comparator is a logic 0; therefore, the 4-unit capacitor returns to V_L before proceeding to the next step. Also, bit 2 of the SAR is cleared to 0.

Next, the 2-unit capacitor will be switched from V_L to V_H resulting in the following circuit:



The charge is written as follows:

$$Q = 8 (V_H - V_i) + 2 (V_H - V_i) - 6 V_i$$

$$Q = 8 V_H - 8 V_i + 2 V_H - 2 V_i - 6 V_i$$

$$Q = 10 V_H - 16 V_i$$

Setting this charge equal to the original charge by charge conservation yields the following results:

$$21/2 V_H = 10 V_H - 16 V_i$$

$$16 V_i = 10 V_H - 21/2 V_H$$

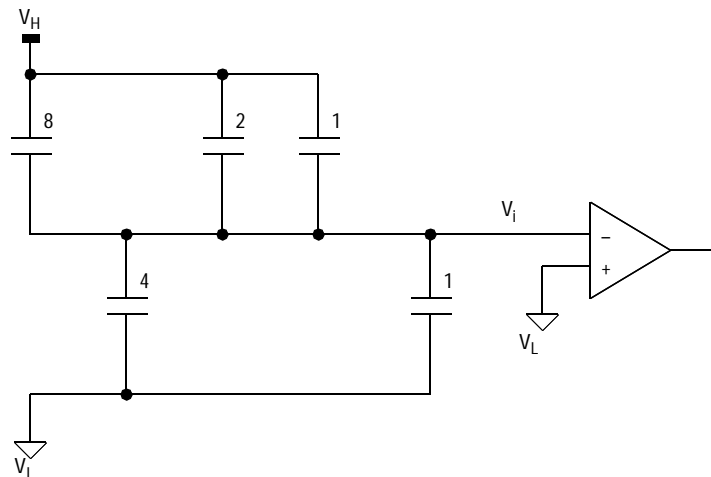
$$16 V_i = - 1/2 V_H$$

$$V_i = - 1/32 V_H$$

which is negative.

Since the output of the comparator is now a logic 1, the two-unit capacitor remains connected to V_H for the next step, and bit 1 of the SAR is set to 1.

As the last step in the conversion sequence, the 1-unit capacitor will be switched from V_L to V_H . The second 1-unit capacitor remains connected to V_L throughout the conversion sequence. The following circuit is for the last conversion step:



The charge is now written as follows:

$$Q = 8(V_H - V_i) + 2(V_H - V_i) + 1(V_H - V_i) - 5V_i$$

$$Q = 8V_H + 2V_H + 1V_H - 8V_i - 2V_i - 1V_i - 5V_i$$

$$Q = 11V_H - 16V_i$$

Charge conservation yields the following results:

$$21/2 V_H = 11 V_H - 16 V_i$$

$$16 V_i = 11 V_H - 21/2 V_H$$

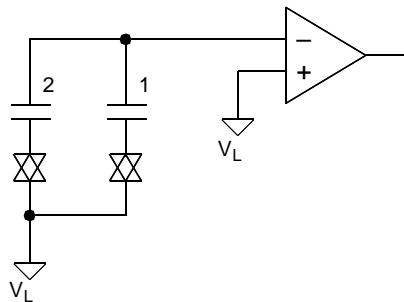
$$16 V_i = 1/2 V_H$$

$$V_i = 1/32 V_H$$

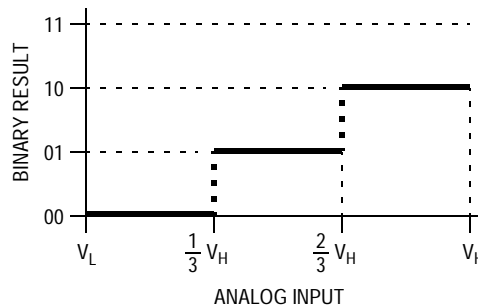
which is positive.

Since the output of the comparator is now a logic 0, the LSB of the SAR is cleared to 0. Because the conversion is complete, it is not necessary to switch the 1-unit capacitor back to V_L . The digital result of this example conversion is 1010_2 .

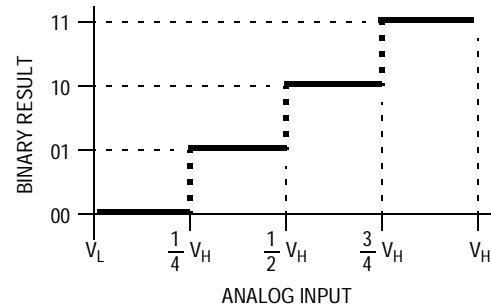
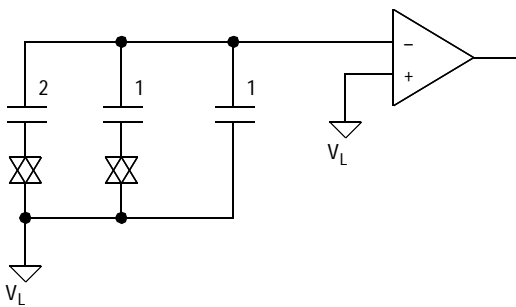
In the previous example, an analog input voltage of $21/32 V_H$ yields a digital result of 1010_2 or $10/16 V_H$. An error occurred even though ideal components and conditions were assumed. A closer look at an even simpler 2-bit A/D explains the reason. If the second 1-unit capacitor is omitted, the following circuit results:



The transfer characteristic of the circuit is as follows:



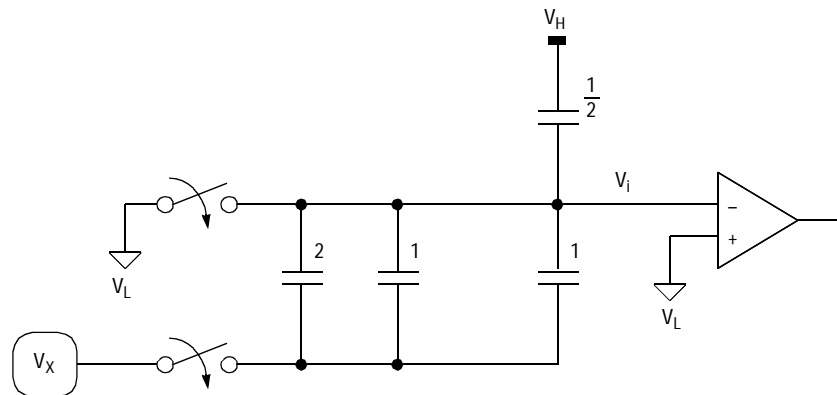
Without the extra 1-unit capacitor, each unit of capacitance corresponds to one-third the total rather than corresponding to the desired one-fourth. When the second 1-unit capacitor is added, the following circuit and transfer characteristics result:



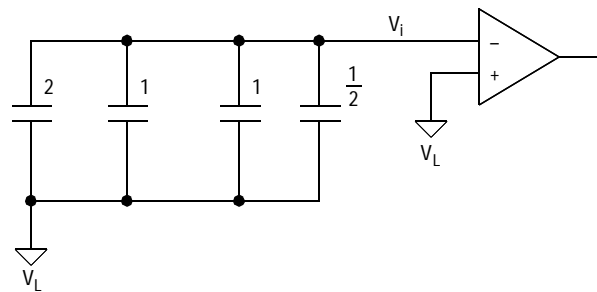
An analog input of $1/4 V_H$ produces a digital result of 01_2 or $1/4 V_H$, but an analog input of $1/8 V_H$ yields a digital result of 00_2 or $0.0 V$, which is in error by $1/8 V_H$ or $1/2$ LSB. This quantization error is an unavoidable consequence of any A/D converter. This particular 2-bit A/D has a quantization error of $-0/+1$ LSB. A more desirable specification is $\pm 1/2$ LSB quantization error, as is the case on the MC68HC11A8. Quantization error is always a total of 1 LSB, and many manufacturers do not include this error in specifications of A/D accuracy.

In an all-capacitive charge-redistribution converter, a simple method exists for shifting the transfer characteristic down by $1/2$ LSB to center the quantization error. A half-unit capacitor is connected to V_H during the sample time and is switched to V_L for the remainder of the conversion sequence. **Figure 12-2** demonstrates how this technique is applied to the previously described 2-bit converter.

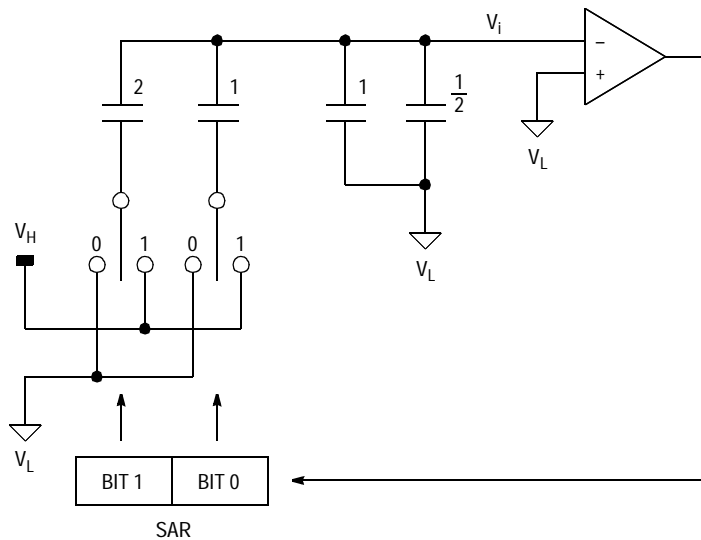
Analog-to-Digital Converter System



(a) Sample Mode



(b) Hold Mode



(c) Approximation Mode

Figure 12-2. Charge-Redistribution A/D with $\pm 1/2$ LSB Quantization Error

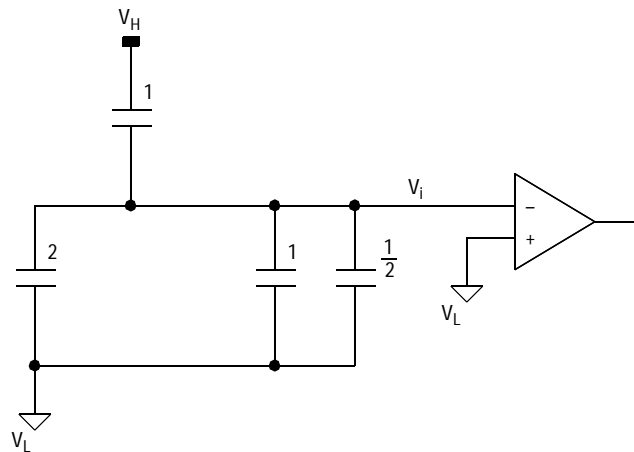
The charge obtained during the sample time is:

$$Q_S = 4 (V_X - V_L) + 1/2 (V_H - V_L)$$

Assuming $V_L = 0$ simplifies the equation to:

$$Q_S = 4 V_X + 1/2 V_H$$

The effect of the half-unit capacitor becomes apparent when V_i is calculated for the circuit corresponding to a digital result of 01_2 . The equivalent circuit is:



The charge is now written as follows:

- $Q = 1 (V_H - V_i) - 3-1/2 V_i$
- $Q = V_H - 4-1/2 V_i$

Charge conservation yields the following results:

$$4 V_X + 1/2 V_H = V_H - 4-1/2 V_i$$

$$4-1/2 V_i = V_H - 1/2 V_H - 4 V_X$$

$$4-1/2 V_i = 1/2 V_H - 4 V_X$$

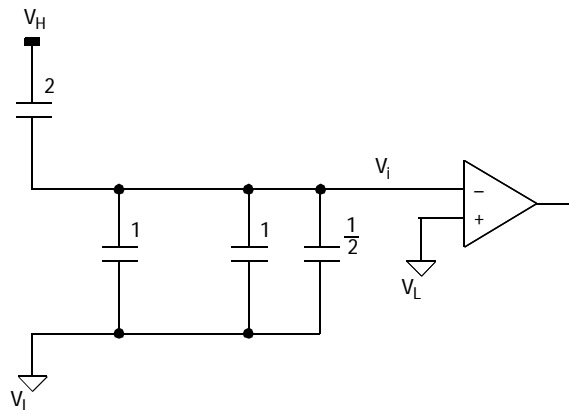
$$9 V_i = 1 V_H - 8 V_X$$

$$9/8 V_i = 1/8 V_H - V_X$$

The comparator only outputs a logic 1 when V_i is less than 0, which is when V_X is greater than $1/8 V_H$.

Analog-to-Digital Converter System

Next, V_i is calculated for the circuit corresponding to a digital result of 10_2 . The equivalent circuit is:



The charge is written as follows:

$$Q = 2 (V_H - V_i) - 2 \cdot 1/2 V_i$$

$$Q = 2 V_H - 4 \cdot 1/2 V_i$$

Charge conservation yields the following results:

$$4 V_X + 1/2 V_H = 2 V_H - 4 \cdot 1/2 V_i$$

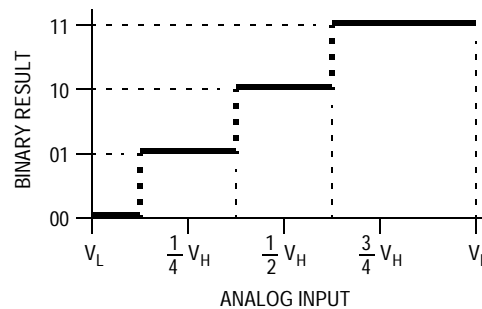
$$4 \cdot 1/2 V_i = 2 V_H - 1/2 V_H - 4 V_X$$

$$4 \cdot 1/2 V_i = 3/2 V_H - 4 V_X$$

$$9 V_i = 3 V_H - 8 V_X$$

$$9/8 V_i = 3/8 V_H - V_X$$

The comparator only outputs a logic 1 when V_i is less than 0, which is when V_X is greater than $3/8 V_H$. The complete transfer characteristic for the 2-bit A/D with the new half-unit capacitor is:



The user should note that there is no 2-bit digital code for $4/4 V_H$ (full scale).

12.4 A/D Converter Implementation on MC68HC11A8

The A/D converter in the MC68HC11A8 is composed of a single successive-approximation charge-redistribution A/D converter and digital control circuitry. The analog section is somewhat more complex than the circuits previously described but identical charge-redistribution principles are used. The digital section consists of the logic that makes the A/D work as a system with the rest of the microcontroller unit (MCU).

12.4.1 MC68HC11A8 Successive-Approximation A/D Converter

A discussion of the actual converter in the MC68HC11A8 is presented in the following paragraphs. **Figure 12-3** shows the successive-approximation converter of the MC68HC11A8 A/D in sample mode.

Unlike earlier examples, the weighted capacitor array has a series capacitor (C_S) separating the low-order half of the array from the high-order half. This capacitor effectively divides the value of the low-order capacitors to the left by 16, which simplifies the layout of the weighted capacitor array and ensures better matching of capacitance sizes.

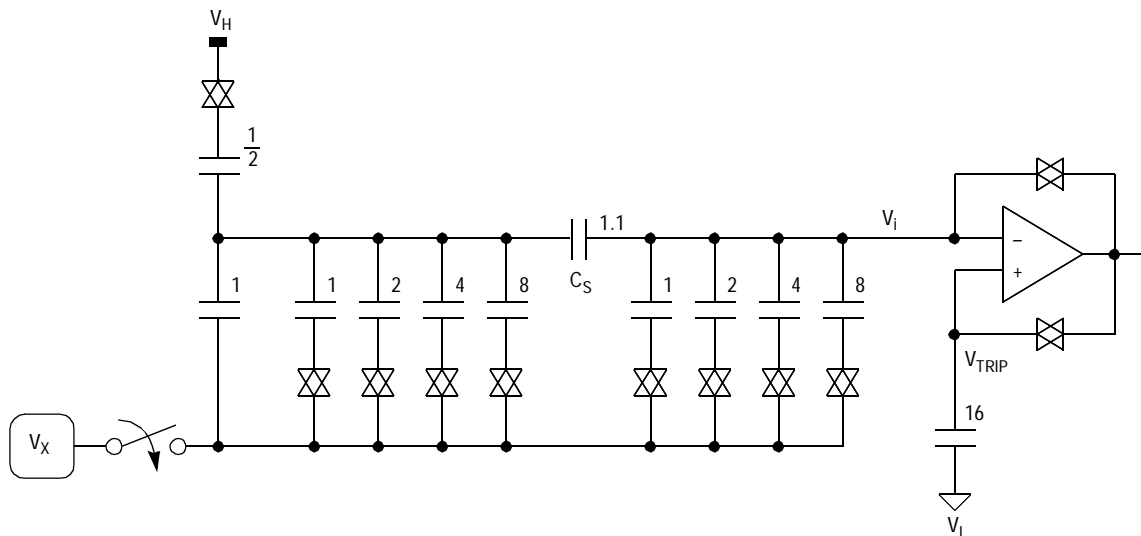


Figure 12-3. MC68HC11A8 A/D in Sample Mode

Except the half-unit and 1.1-unit elements, all capacitors are composed of connected groups of 1-unit capacitors, which minimizes errors caused by sizing and processing. In the MC68HC11A8, these capacitors consist of polysilicon plates separated by an inter-level oxide; the lower plates are isolated from the substrate by a second layer of oxide. The capacitance of this structure is not subject to variation due to voltages on the plates relative to the substrate.

In the MC68HC11A8 A/D, both inputs and the output of the comparator are shorted together during the sample time, which causes all three points to stabilize at the trip voltage of the comparator. Thus, comparator offsets are effectively cancelled out of the calculations. After the sample period, the shorting paths are disconnected, and the conversion sequence proceeds as in the earlier examples. The 16-unit capacitor from the plus input of the comparator to V_L is not critical in terms of size because it is only used to hold the plus input at V_{Trip} during the short conversion time.

12.4.2 A/D Charge Pump and Resistor-Capacitor (RC) Oscillator

A charge pump on the chip develops about 7 or 8 V, and this high voltage is used to drive the gates of the analog switches in the input multiplexer and capacitor array. This high gate voltage ensures low source to drain impedance for analog signals up to and including V_{DD} . In fact, V_{RH} can be somewhat higher than V_{DD} (approximately 6 V), and the converter will still yield good ratiometric results.

The A/D charge pump is disabled coming out of reset and is turned on by setting the A/D power-up (ADPU) control bit in the OPTION control register before the A/D system can be used. A delay is required after turning on ADPU to allow the charge pump and comparator circuits to stabilize before using the converter system.

The charge-redistribution A/D process is a dynamic process in that the charge on the capacitor array will eventually leak off. This capacitor array is part of an internal digital-to-analog converter (DAC), which means the conversion process must be completed within a reasonable time after the sample time ends. The other circuitry on the MCU is static to allow very low clock frequencies, thus saving power. At bus

frequencies (E clock) below 750 kHz, the E clock should not normally be used as the A/D conversion clock because there is a risk of error due to charge leakage at temperature extremes. Laboratory characterization has indicated good performance at E-clock rates as low as 10 kHz, but the specification has been guard banded against process variations.

An on-chip RC oscillator provides an alternate clocking source for the A/D system when the E clock is running too slow to ensure good conversions. This clock source is selected by writing a 1 to the clock select (CSEL) control bit in the OPTION control register. The A/D clock (E clock or RC oscillator depending on CSEL) drives the SAR sequencer and the A/D charge pump. Some delay may be required after switching clock sources, depending on their frequencies. The RC oscillator frequency varies with processing but is typically about 2 MHz.

When the E clock is used as the A/D clock source, the conversion sequence is inherently synchronized to the main MCU clocks. Using the E clock has two advantages over using the RC oscillator, which is asynchronous to system clocks. First, the comparator output is sampled at relatively quiet times in the system clock cycle, thus reducing the effects of internal MCU noise. When the RC oscillator is used, more error is attributable to internal system clock noise. Second, result-register updates automatically occur during a portion of the system clock cycle where reads do not occur; thus, an update cannot interfere with a read. When the RC oscillator is used, there is no conflict between updates and reads, but there is an additional synchronization delay imposed at the end of each channel conversion to allow for synchronization to the system E clock.

Figure 12-4 shows the OPTION control register for reference since the ADPU and CSEL control bits affect the A/D converter system.

Address: \$1039

	Bit 7	6	5	4	3	2	1	Bit 0
Read:	ADPU	CSEL	IRQE	DLY	CME	—	CR1	CR0
Write:								
Reset:	0	0	0	1	0	0	0	0

Figure 12-4. System Configuration Options Register (OPTION)

The CSEL control bit also selects an alternate clock source for the on-chip EEPROM charge pump. This charge pump is separate from the A/D charge pump, but both pumps are selected with the CSEL control bit. In the case of the A/D charge pump, CSEL needs to be 1 when the E clock is too slow to ensure that the successive-approximation sequence will finish before any significant charge loss. In the case of the EEPROM, the efficiency of the charge pump is at issue. More details on EEPROM charge-pump efficiency are presented in [Section 4. On-Chip Memory](#). When the E clock is at or above 2 MHz, CSEL should always be 0; when the E clock is below 750 kHz, CSEL should almost always be 1.

At E-clock frequencies between 750 kHz and 2 MHz, CSEL should be set to 1 for EEPROM programming and erase operations so the EEPROM charge pump works more efficiently; however, CSEL should be set to 0 for A/D conversions to ensure highest A/D accuracy by reducing the effects of on-chip noise.

In most applications, switching CSEL on and off is not necessary. Instead, a trade-off can usually be made on the basis of application requirements. For example, the additional A/D error attributable to internal noise when CSEL equals 1 is on the order of $\pm 1/2$ LSB, which is acceptable in many applications.

12.4.3 MC68HC11A8 A/D System Control Logic

The A/D system on the MC68HC11A8 consists of a single successive-approximation A/D converter, an input multiplexer to select one of 16 channels (including eight channels associated with pins on the MCU), and sophisticated control circuitry to configure and control conversion activities. Four separate result registers are included with control logic that implements automatic conversion sequences on a selected channel four times or on four channels (once each). Conversion sequences are configured to repeat continuously or to stop after one set of four conversions. An on-chip RC oscillator is selected to allow normal operation of the A/D when very low MCU clock frequencies are being used.

Figure 12-5 shows the timing for a sequence of four A/D conversions; the system E clock is used as the conversion clock, which is the normal case. The A/D converter is dynamic in that the charge attained during the sample period will eventually leak off the DAC capacitors. If the system E clock is slower than 750 kHz, an on-chip RC oscillator should be selected as the A/D conversion clock source. The RC clock source is selected by setting the CSEL control bit in the OPTION register. Since the RC clock source is asynchronous to the MCU E clock, a synchronization delay is required at the end of each conversion in the sequence to prevent result-register updates in the same part of the E-clock cycle where a read is taking place. A/D result registers should not normally be used before the conversion complete flag (CCF) is set at the end of the fourth conversion in a sequence because of uncertainty in the exact frequency of the on-chip RC oscillator and because of synchronization delays. When the E clock is used as the conversion clock, **Figure 12-5** can be used to determine the earliest availability of valid data in result registers 3-1. For example, ADR1 has valid conversion results 34 E-clock cycles after the A/D control/status register is written.

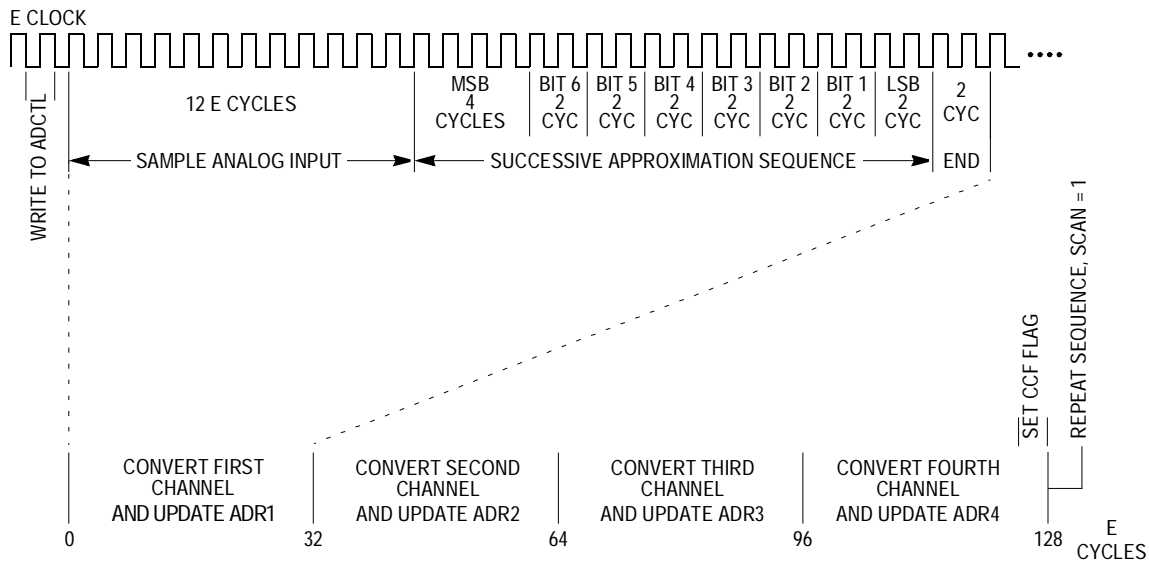


Figure 12-5. Timing Diagram for a Sequence of Four A/D Conversions

12.4.4 A/D Control/Status Register (ADCTL)

All bits in this register may be read or written except bit 7, which is a read-only status indicator, and bit 6, which always reads 0. Bit 7 is cleared by reset, but the other bits are not affected by reset. The following register and paragraphs describe the function of each bit.

Address: \$1030

	Bit 7	6	5	4	3	2	1	Bit 0
Read:	CCF	0	SCAN	MULT	CD	CC	CB	CA
Write:								
Reset:	0	0	U	U	U	U	U	U

U = Unaffected

Figure 12-6. A/D Control/Status Register (ADCTL)

CCF — Conversions Complete Flag

This read-only status indicator is set when all four A/D result registers contain valid conversion results. Each time the ADCTL register is written, this bit is automatically cleared, and a new conversion sequence is started immediately. In the continuous scan modes, conversions continue in round-robin fashion, and the result registers are updated with current data even though the CCF bit remains set.

NOTE: *The user must write to the ADCTL register to initiate conversion operations. To abort a conversion operation in progress, write to the ADCTL register, and a new conversion operation is initiated immediately.*

Bit 6 — Not implemented; always reads 0

SCAN — Continuous Scan Control Bit

When this bit is 0, the four requested conversions are performed, once each, to fill the four result registers. When this bit is 1, conversions continue in a round-robin fashion with the result registers being updated as new data becomes available.

MULT — Multiple-Channel/Single-Channel Control Bit

When this bit is 0, the A/D system is configured to perform four consecutive conversions on the single channel specified by the four

channel-select bits (CD:CA of the ADCTL register). When this control bit is 1, the A/D system is configured to perform conversions on each channel in the group of four channels specified by the CD and CC channel-select bits. In this multiple-channel mode, each channel is associated with a specific result register.

CD, CC, CB, and CA — Channel Select Bits

These four channel-select bits are used to specify the channel(s) to be operated on for an A/D conversion operation. **Table 12-1** shows the relationship between the CD–CA bits and the channel(s) to be operated on. When a multiple-channel mode is selected (MULT = 1), the CB and CA selects have no effect, and the group of four channels affected is selected by CD and CC.

Table 12-1. A/D Channel Assignments

CD	CC	CB	CA	Channel Signal	Result in ADRx if MULT = 1
0	0	0	0	PE0	ADR1
0	0	0	1	PE1	ADR2
0	0	1	0	PE2	ADR3
0	0	1	1	PE3	ADR4
0	1	0	0	PE4*	ADR1
0	1	0	1	PE5*	ADR2
0	1	1	0	PE6*	ADR3
0	1	1	1	PE7*	ADR4
1	0	0	0	Reserved	ADR1
1	0	0	1	Reserved	ADR2
1	0	1	0	Reserved	ADR3
1	0	1	1	Reserved	ADR4
1	1	0	0	V_H^{**}	ADR1
1	1	0	1	V_L^{**}	ADR2
1	1	1	0	$1/2 V_H^{**}$	ADR3
1	1	1	1	Reserved**	ADR4

*Not available in 48-pin package versions

**These channels intended for factory testing

The last group of four analog channels is used during factory testing of the MCU. The $1/2 V_{RH}$ channel is misleading in that there is no internal voltage divider actually dividing the reference supply. Rather, a result of $1/2 V_{RH}$ is artificially produced by special control logic, which forces unusual connections of the DAC capacitors during sample time. Thus, the charge attained will be identical to that obtained by sampling an analog level of $1/2 V_{RH}$ on one of the eight analog input pins.

12.4.5 A/D Result Registers (ADR4–AD1)

The A/D result registers are read-only registers used to hold an 8-bit conversion result. After all four result registers have been filled with valid data in a conversion sequence, the CCF status bit is set to indicate the results are valid. New conversion results are calculated in the A/D logic and are transferred into the result registers in a part of the clock cycle where reads do not take place; therefore, no interference occurs between software reads and result updates.

12.5 A/D Pin Connection Considerations

Since there are no P-channel devices directly connected to the A/D input or reference pins, voltages above V_{DD} do not pose a latchup threat. If an A/D input rises above the threshold of the protection device, an input protection device avalanches, and current into this device should be limited. Because of an inherent diode to V_{SS} , A/D inputs must not go below V_{SS} or the input can be permanently damaged. A series resistor of 1 k Ω will prevent damage, but avoid a series resistor of more than 10 k Ω because input leakage acting through this impedance will degrade A/D accuracy. External clamping diodes on A/D inputs should be avoided because the leakage through these devices is greater than the input pin leakage current and could significantly degrade accuracy if significant resistance exists in series with the analog source.

Figure 12-7 shows a model of an A/D input pin, which is useful in planning external circuitry and connections.

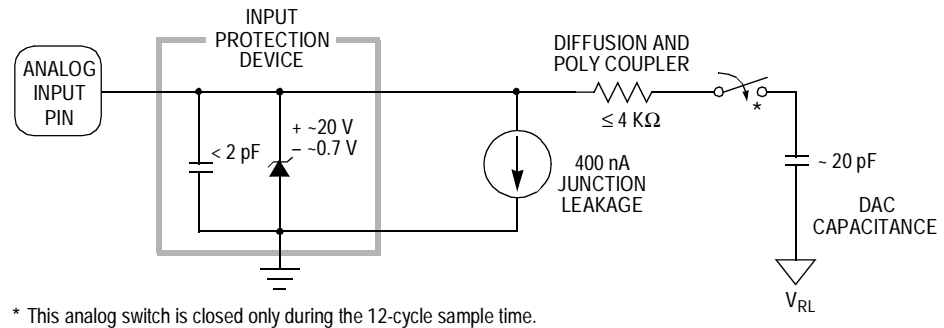


Figure 12-7. Electrical Model of an A/D Input Pin (Sample Mode)

Capacitors from A/D inputs to V_{RL} help prevent errors due to system noise, but it is important to size these capacitors properly for the way the A/D converter is being used in a particular system. Factors affecting the size of these capacitors are:

- Source impedance of the analog signal
- Rate of change of the analog signal
- Electrical model of the A/D inputs
- Frequency of A/D conversion requests to the particular channel
- Analog level on the previously converted channel (in some cases)

The first three factors are straightforward, but the last two factors are subtle. [Figure 12-5](#) and [Figure 12-7](#) should be used in conjunction with the following discussion.

The maximum external source impedance of an analog signal is limited by the leakage into the pin (see [Figure 12-7](#)). When $V_{RH} - V_{RL} = 5.12 \text{ V}$, one LSB corresponds to 20 mV of input voltage. The worst-case input leakage of 400 nA acting through 10 k Ω of external series resistance will result in about 0.2 LSBs of offset. Although the specification states the maximum-allowable external series resistance is 10 k Ω , a higher source impedance can be used, but it may cause additional errors in the results. The leakage current arises from N-channel junction leakages that are worse at high temperatures. Since only N-channel devices contribute to this current, it is unidirectional toward V_{SS} and will only cause errors, lowering A/D results below the expected value.

The minimum-desirable source impedance for an analog input signal should ensure the current at the A/D pin never gets high enough to cause CMOS latchup. The HCMOS process used on the MC68HC11A8 is much more robust than older 14xxx-style CMOS, but the current at a pin should still be limited to 25 mA or less. Although the pins can withstand much more, 25 mA is considered a good design target. The source impedance that meets this limitation will depend on the total system. For example, suppose the worst-case scenario for a particular system results in an analog source accidentally shorting to -12 V . The inherent internal diodes to V_{SS} will clamp the voltage at the pin to about -0.7 V . This clamped voltage means a maximum current of 25 mA must cause 11.3 V to be dropped across a series-limiting resistance, which calculates to $452\ \Omega$. However, some guard band should be allowed for tolerances on the clamped voltage, the source voltages, the resistor, etc.

NOTE: *Two of the most common A/D application errors have been either too much source impedance, resulting in higher-than-expected errors, or too little source impedance, resulting in permanent damage to A/D inputs. The most common cause of damage to A/D inputs is a very low source impedance to a negative voltage, which is more than 1 V below V_{SS} .*

The rate of change of the analog input signal is important if an external low-pass filter is used to increase noise immunity. If too large an RC time constant is chosen for the external filter, meaningful transitions may be filtered out of an analog signal source. An external lowpass filter also introduces a delay between the analog source and the A/D input pin. If the A/D system is used to locate a timing reference to a peak level on an analog input signal, this delay must be considered. If the input to a channel changes drastically between successive samples in a sequence of conversions, a charge-share mechanism can affect the accuracy of the result as described in the following paragraphs. Normally, this charge-share mechanism is visible only in multiple-channel, continuous-scan conversion sequences where two adjacent channels are connected to grossly different analog levels.

A subtle aspect of [Figure 12-7](#) is that the DAC capacitance is shared by all conversions. This aspect results in the initial voltage on the DAC capacitance, just before a sample period, being approximately equal to the voltage on the last channel converted. For individual conversions, this result usually does not produce any observable effect because the

charge stored in the internal DAC capacitance is so small. Consider what happens when a multiple-channel, continuous-scan conversion operation is occurring (MULT and SCAN = 1). For an E-clock rate of 2 MHz, a particular channel is sampled once every 64 μ s. Each time, the initial voltage on the DAC capacitance just before the sample is equal to the voltage on the previously sampled channel. Over 15,000 times a second a small amount of charge is removed from or added to the external capacitance on the pin. The charge is restored by charging or discharging through the external source impedance. For some values of external R and C, the charge added during the sample time cannot be fully bled off through the external RC before the next sample time occurs. This problem causes a stair-step building of charge in the external capacitance that builds until an equilibrium is reached, in which the amount of charge added during a sample time is exactly offset by the charge bled off during the period between samples. This condition is a secondary effect, which seldom results in more than an LSB of error (even in the most extreme case). After studying the mechanism, it should be fairly easy to avoid problems from this effect by careful choice of the external R and C values, by avoiding channel assignments resulting in grossly different levels on adjacent critical channels, and/or by avoiding the multiple-channel, continuous-scan conversion modes when a high-frequency E clock is used.

Three types of cases must be considered, which result from the interaction of an external RC filter and the internal model of an A/D input pin. The method of determining the error expected from a particular choice of external component values depends on which of the three cases applies. Errors arise from leakage current acting through the external series resistance or from system noise. If a very large external series impedance is used, a problem can arise where the internal DAC capacitance cannot be properly charged within the 12-cycle sample time; however, errors due to simple leakage through the external resistance usually do not allow using a large enough external resistance to cause this effect. The following paragraphs describe the cases of interaction of an external filter to the input model.

The first case arises when the external time constant is small compared to the length of the 12-cycle sample period. In this case, all residual charge on the internal DAC capacitance is dissipated, and the pin settles at the expected voltage before the end of the sample time. The problem

with this case is that a filter with such a short time constant provides very little filtering. In this case no errors result; thus, no calculations are needed.

The second case arises when the external time constant is long compared to the sample period but is relatively short compared to the period between samples. In this case, the residual charge on the internal DAC capacitance is redistributed to the external capacitance during the sample, but this charge is not dissipated through the external resistance before the end of the sample time. This condition results in a small error in the sample, but this charge is dissipated before the next sample of this channel. Thus, no accumulated error occurs. In cases of this second type, the primary governing factor is the redistribution of the residual charge from the internal DAC capacitance. Usually, the external capacitance is so much larger than the internal DAC capacitance that the voltage change due to charge redistribution reduces to the difference between the previous channel voltage and the current channel voltage times the ratio of the internal DAC capacitance to the external capacitance. Some of this charge is dissipated before the end of the sample period by the external RC time constant. **Figure 12-8** is a graphic estimation of the amount of error resulting in such a case. Errors of this type are present even in single-pass conversion sequences but rarely cause noticeable errors.

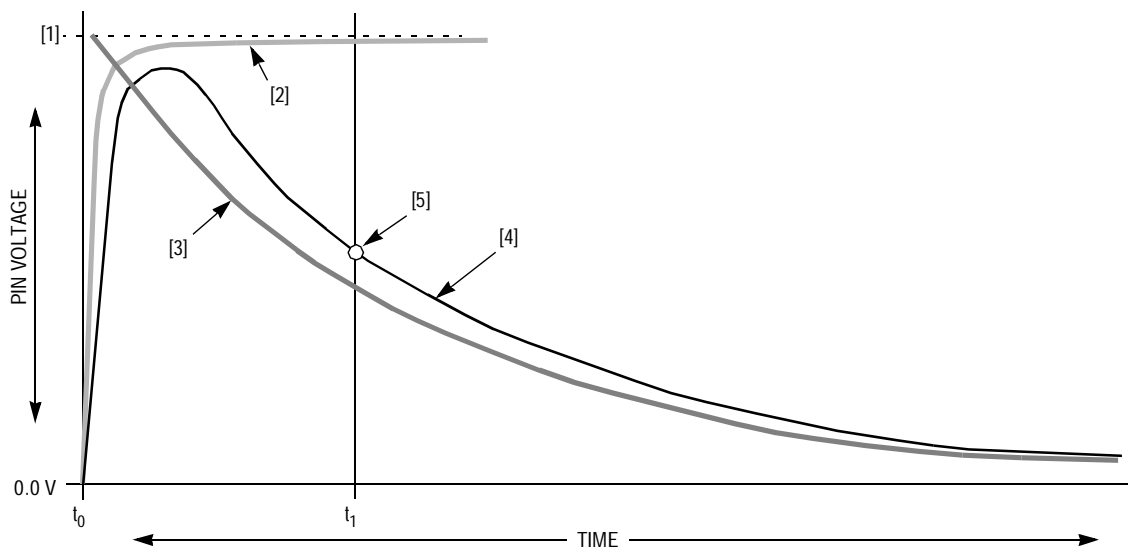


Figure 12-8. Graphic Estimation of Analog Sample Level (Case 2)

In **Figure 12-8**, the solid waveform [4] is the graphic estimation of the analog level at an A/D input. This waveform results from the simultaneous operation of charge redistribution of the residual charge on the internal DAC capacitance just before the sample period began at t_0 and from the dissipation of this charge through the external RC network. Waveform [2] has a time constant, $\tau \geq 80$ ns, based on the model of an A/D input. The peak level [1] is:

$$(V_A - V_B) \times (C_i \div (C_X + C_i))$$

where

V_A = the analog level driving the previously sampled channel

V_B = the level driving the currently sampled channel

C_i = the internal DAC capacitance

C_X = the external capacitance

Waveform [3] is the familiar RC exponential decay through the external network, and it is assumed that the external capacitance is very large compared to the 20-pF DAC capacitance. The time, t_1 , marks the end of the 12-cycle sample period, and level [5] is the level that will be captured, held, and converted even though the pin voltage continues to decay through the external network.

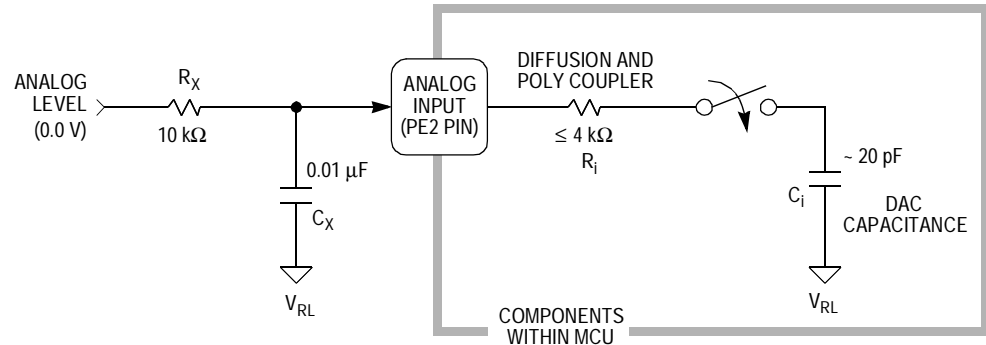
The third case arises when the external time constant is very long compared to the time between samples. In this case, the residual charge redistributed during the first sample is not completely dissipated before the next sample; thus, there is an accumulation of charge. This accumulation causes increasing errors on successive samples until equilibrium is reached between the charge added during a sample and the charge dissipated between samples. Errors caused by cases of this third type are often misinterpreted as leakage between adjacent channels. The magnitude of this type error is estimated by developing equations for voltage change caused by charge added during a sample time and voltage change caused by the action of the external RC between successive samples. These two equations are set equal to each other, and the equilibrium voltage can then be resolved.

The voltage change during the sample is controlled by the ratio of the internal DAC capacitance to the external capacitance (as in the previous

Analog-to-Digital Converter System

case), but the external RC is assumed to be so long that it produces no significant effect until after the sample time ends. The voltage change between samples results from a simple RC exponential decay.

To illustrate the estimation of errors resulting from a case-three situation, consider this example. The E-clock rate equals 2 MHz, V_{RH} equals 5.12 V, V_{RL} equals 0.0 V, channel 1 is connected to a 5.12-V analog level, and channel 2 is connected to a 0-V analog level. The external series resistance is 10 k Ω , and the external capacitance is 0.01 μ F. The value \$30 is written to the ADCTL register to initiate continuous round-robin conversion of channels 0, 1, 2, and 3. The following circuit is a model of the circuitry under investigation.



R_X and C_X are the external components, C_i is the internal DAC capacitance, and R_i is the internal series resistance (includes N-channel couplers and polysilicon interconnections). From [Figure 12-7](#), C_i is 20 pF and R_i is ≤ 4 k Ω . The switch represents an analog switch closed only during the sample time. For the chosen E-clock rate, the sample time is 6 μ s, and the period from one sample to the next sample of the same channel is 64 μ s.

The voltage change due to redistribution of the residual charge on the DAC capacitance, which is left from conversion of the previous channel, is written as:

$$\Delta V_{SAMP} = (V_1 - V_2) [C_i \div (C_X + C_i)]$$

where $V_1 = 5.12$ V and $V_2 = 0.0$ V

$$\begin{aligned} \Delta V_{SAMP} &\approx 5.12 (20 \text{ pF} \div 0.01 \text{ } \mu\text{F}) \text{ V} \\ \Delta V_{SAMP} &\approx 10 \text{ mV} \end{aligned}$$

Not all of this voltage decays before the second sample; thus, there is an accumulation of error until an equilibrium is reached. Since this equilibrium voltage is very small relative to the $(V_1 - V_2)$ term of this equation, the ΔV_{SAMP} value does not change significantly between the first sample and a sample time when equilibrium is reached. Since C_X is so large relative to C_i , C_i is ignored in the $(C_X + C_i)$ term.

The voltage change between samples of channel 2 is a simple exponential decay through the external RC, which is written as:

$$\Delta V_{\text{Hold}} = (V_{\text{EQ}} - V_2)(1 - e^{-t/Rx C_X})$$

where V_{EQ} is the equilibrium voltage

$$\Delta V_{\text{Hold}} = V_{\text{EQ}}(1 - e^{-64 \mu\text{s}/10\text{K} \times 0.01 \mu\text{F}})$$

$$\Delta V_{\text{Hold}} = V_{\text{EQ}}(1 - e^{-0.64})$$

$$\Delta V_{\text{Hold}} = 0.473 V_{\text{EQ}}$$

When equilibrium is reached, the voltage gained during a sample is equal to the voltage lost between samples. Therefore, set ΔV_{Hold} equals ΔV_{SAMP} and solve for V_{EQ} :

$$0.473 V_{\text{EQ}} = 10 \text{ mV}$$

$$V_{\text{EQ}} = 10 \text{ mV}/0.473 \approx 21 \text{ mV}$$

This value amounts to almost one LSB of error. If the external capacitance is changed to $0.1 \mu\text{F}$, the error attributable to this effect becomes approximately 1 mV. As the external capacitance is changed, two changes occur: First, the time constant of the external RC changes; second, the ratio of the external capacitance to the DAC capacitance changes. Because these two changes influence the result at different rates, it is not practical to make a general statement about the amount of influence versus the change in the external capacitance.

For external series resistances not exceeding the recommended limit of $10 \text{ k}\Omega$, the errors attributable to this effect are very small. However, if the external series resistance is increased to $100 \text{ k}\Omega$ and small capacitance values are used, the errors can become serious. For example, an external RC of $100 \text{ k}\Omega$ and $0.001 \mu\text{F}$ would cause errors of about 200 mV in the previous example (about 10 LSBs). The extra leakage effects are also as much as 40 mV.

Appendix A. Instruction Set Details

A.1 Contents

A.2	Introduction	487
A.3	Nomenclature	488
A.4	M68HC11 Instruction Set	491

A.2 Introduction

This appendix contains complete detailed information for all M68HC11 instructions.

A.3 Nomenclature

The following nomenclature is used in the subsequent definitions.

1. Operators:

- () = Contents of register shown inside parentheses
- \leftarrow = Is transferred to
- \Uparrow = Is pulled from stack
- \Downarrow = Is pushed onto stack
- = Boolean AND
- +
- = Arithmetic addition symbol except where used as inclusive-OR symbol in Boolean formula
- \oplus = Exclusive OR
- \times = Multiply
- :
- = Concatenation
-
- = Arithmetic subtraction symbol or negation symbol (twos complement)

2. Registers in the CPU:

- ACCA = Accumulator A
- ACCB = Accumulator B
- ACCX = Accumulator ACCA or ACCB
- ACCD = Double accumulator — Accumulator A concatenated with accumulator B where A is the most significant byte
- CCR = Condition code register
- IX = Index register X, 16 bits
- IXH = Index register X, high order 8 bits
- IXL = Index register X, low order 8 bits
- PC = Program counter, 16 bits
- PCH = Program counter, high order (most significant) 8 bits
- PLC = Program counter, low order (least significant) 8 bits
- SP = Stack pointer, 16 bits
- SPH = Stack pointer, high order 8 bits
- SPL = Stack pointer, low order 8 bits

3. Memory and addressing:

- M = A memory location (one byte)
- M+1 = The byte of memory at \$0001 plus the address of the memory location indicated by "M"
- Rel = Relative offset (that is, the twos complement number stored in the last byte of machine code corresponding to a branch instruction)
- (opr) = Operand
- (msk) = Mask used in bit manipulation instructions
- (rel) = Relative offset used in branch instructions

4. Bits [7:0] of the condition code register:

- S = Stop disable, bit 7
- X = X interrupt mask, bit 6
- H = Half carry, bit 5
- I = I interrupt mask, bit 4
- N = Negative indicator, bit 3
- Z = Zero indicator, bit 2
- V = Two's complement overflow indicator, bit 1
- C = Carry/borrow, bit 0

5. Status of individual bit before execution of an instruction:

- An = Bit n of ACCA (n = 7, 6, 5... 0)
- Bn = Bit n of ACCB (n = 7, 6, 5... 0)
- Dn = Bit n of ACCD (n = 15, 14, 13... 0) where bits [15:8] refer to ACCA and bits [7:0] refer to ACCB
- IXn = Bit n of IX (n = 15, 14, 13... 0)
- IXHn = Bit n of IXH (n = 7, 6, 5... 0)
- IXLn = Bit n of IXL (n = 7, 6, 5... 0)
- IYn = Bit n of IY (n = 15, 14, 13... 0)
- IYHn = Bit n of IYH (n = 7, 6, 5... 0)
- IYLn = Bit n of IYL (n = 7, 6, 5... 0)
- Mn = Bit n of M (n = 7, 6, 5... 0)
- SPHn = Bit n of SPH (n = 7, 6, 5... 0)
- SPLn = Bit n of SPL (n = 7, 6, 5... 0)
- Xn = Bit n of ACCX (n = 7, 6, 5... 0)

6. Status of individual bits of result of execution of an instruction:

For 8-bit results:

Rn = Bit n of the result (n = 7, 6, 5... 0). This applies to instructions which provide a result contained in a single byte of memory or in an 8-bit register.

For 16-bit results:

RHn = Bit n of the most significant byte of the result (n = 7, 6, 5... 0)

RLn = Bit n of the least significant byte of the result (n = 7, 6, 5... 0). This applies to instructions which provide a result contained in two consecutive bytes of memory or in a 16-bit register.

Rn = Bit n of the result (n = 15, 14, 13... 0)

7. Notation used in CCR activity summary figures:

— = Bit not affected

0 = Bit forced to 0

1 = Bit forced to 1

↕ = Bit set or cleared according to results of operation

↕ = Bit may change from 1 to 0, remain 0, or remain 1 as a result of this operation, but cannot change from 0 to 1.

8. Notation used in cycle-by-cycle execution tables:

— = Irrelevant data

ii = One byte of immediate data

jj = High-order byte of 16-bit immediate data

kk = Low-order byte of 16-bit immediate data

hh = High-order byte of 16-bit extended address

ll = Low-order byte of 16-bit extended address

dd = Low-order eight bits of direct address \$0000–\$00FF (high byte assumed to be \$00)

mm = 8-bit mask (set bits correspond to operand bits which will be affected)

ff = 8-bit forward offset \$00 (0) to \$FF (255) (is added to index)

rr	= Signed relative offset \$80 (–128) to \$7F (+127) (offset relative to address following machine code offset byte)
OP	= Address of opcode byte
OP+n	= Address of n th location after opcode byte
SP	= Address pointed to by stack pointer value (at the start of an instruction)
SP+n	= Address of n th higher address past that pointed to by stack pointer
SP–n	= Address of n th lower address before that pointed to by stack pointer
Sub	= Address of called subroutine
Nxt op	= Opcode of next instruction
Rtn hi	= High-order byte of return address
Rtn lo	= Low-order byte of return address
Svc hi	= High-order byte of address for service routine
Svc lo	= Low-order byte of address for service routine
Vec hi	= High-order byte of interrupt vector
Vec lo	= Low-order byte of interrupt vector

A.4 M68HC11 Instruction Set

The instructions are arranged in alphabetical order with the instruction mnemonic set in larger type for easy reference.

ABA

Add Accumulator B to Accumulator A

ABA

Operation: $ACCA \leftarrow (ACCA) + (ACCB)$

Description: Adds the contents of accumulator B to the contents of accumulator A and places the result in accumulator A. Accumulator B is not changed. This instruction affects the H condition code bit so it is suitable for use in BCD arithmetic operations (see **DAA** instruction for additional information).

Condition Codes and Boolean Formulae:

S	X	H	I	N	Z	V	C
—	—	↕	—	↕	↕	↕	↕

H $A3 \cdot B3 + B3 \cdot \overline{R3} + \overline{R3} \cdot A3$

Set if there was a carry from bit 3; cleared otherwise.

N $R7$

Set if MSB of result is set; cleared otherwise.

Z $\overline{R7} \cdot \overline{R6} \cdot \overline{R5} \cdot \overline{R4} \cdot \overline{R3} \cdot \overline{R2} \cdot \overline{R1} \cdot \overline{R0}$

Set if result is \$00; cleared otherwise.

V $A7 \cdot B7 \cdot \overline{R7} + \overline{A7} \cdot \overline{B7} \cdot R7$

Set if a twos complement overflow resulted from the operation; cleared otherwise.

C $A7 \cdot B7 + B7 \cdot \overline{R7} + \overline{R7} \cdot A7$

Set if there was a carry from the MSB of the result; cleared otherwise.

Source Form: ABA

Addressing Modes, Machine Code, and Cycle-by-Cycle Execution:

Cycle	ABA (INH)		
	Addr	Data	R/W
1	OP	1B	1
2	OP + 1	—	1

ABX

Add Accumulator B to Index Register X

ABX

Operation: $IX \leftarrow (IX) + (ACCB)$

Description: Adds the 8-bit unsigned contents of accumulator B to the contents of index register X (IX) considering the possible carry out of the low-order byte of the index register X; places the result in index register X (IX). Accumulator B is not changed. There is no equivalent instruction to add accumulator A to an index register.

**Condition Codes
and Boolean
Formulae:**

S	X	H	I	N	Z	V	C
—	—	—	—	—	—	—	—

None affected

Source Form: ABX

Addressing Modes, Machine Code, and Cycle-by-Cycle Execution:

Cycle	ABX (INH)		
	Addr	Data	R/W
1	OP	3A	1
2	OP + 1	—	1
3	FFFF	—	1

ABY

Add Accumulator B to Index Register Y

ABY

Operation: $IY \leftarrow (IY) + (ACCB)$

Description: Adds the 8-bit unsigned contents of accumulator B to the contents of index register Y (IY) considering the possible carry out of the low-order byte of the index register Y; places the result in index register Y (IY). Accumulator B is not changed. There is no equivalent instruction to add accumulator A to an index register.

Condition Codes and Boolean Formulae:

S	X	H	I	N	Z	V	C
—	—	—	—	—	—	—	—

None affected

Source Form: ABY

Addressing Modes, Machine Code, and Cycle-by-Cycle Execution:

Cycle	ABY (INH)		
	Addr	Data	R/W
1	OP	18	1
2	OP + 1	3A	1
3	OP + 2	—	1
4	FFFF	—	1

ADC

Add with Carry

ADC

Operation: $ACCX \leftarrow (ACCX) + (M) + (C)$

Description: Adds the contents of the C bit to the sum of the contents of ACCX and M and places the result in ACCX. This instruction affects the H condition code bit so it is suitable for use in BCD arithmetic operations (see [DAA](#) instruction for additional information).

Condition Codes and Boolean Formulae:

S	X	H	I	N	Z	V	C
—	—	↕	—	↕	↕	↕	↕

H $X3 \cdot M3 + M3 \cdot \overline{R3} + \overline{R3} \cdot X3$

Set if there was a carry from bit 3; cleared otherwise.

N $R7$

Set if MSB of result is set; cleared otherwise.

Z $\overline{R7} \cdot \overline{R6} \cdot \overline{R5} \cdot \overline{R4} \cdot \overline{R3} \cdot \overline{R2} \cdot \overline{R1} \cdot \overline{R0}$

Set if result is \$00; cleared otherwise.

V $X7 \cdot M7 \cdot \overline{R7} + \overline{X7} \cdot \overline{M7} \cdot R7$

Set if a twos complement overflow resulted from the operation; cleared otherwise.

C $X7 \cdot M7 + M7 \cdot \overline{R7} + \overline{R7} \cdot X7$

Set if there was a carry from the MSB of the result; cleared otherwise.

Source Forms: ADCA (opr); ADCB (opr)

Addressing Modes, Machine Code, and Cycle-by-Cycle Execution:

Cycle	ADCA (IMM)			ADCA (DIR)			ADCA (EXT)			ADCA (IND,X)			ADCA (IND,Y)		
	Addr	Data	R/W	Addr	Data	R/W	Addr	Data	R/W	Addr	Data	R/W	Addr	Data	R/W
1	OP	89	1	OP	99	1	OP	B9	1	OP	A9	1	OP	18	1
2	OP + 1	ii	1	OP + 1	dd	1	OP + 1	hh	1	OP + 1	ff	1	OP + 1	A9	1
3				00dd	(00dd)	1	OP + 2	ll	1	FFFF	—	1	OP + 2	ff	1
4							hhll	(hhll)	1	X + ff	(X+ff)	1	FFFF	—	1
5													Y + ff	(Y + ff)	1

Cycle	ADCB (IMM)			ADCB (DIR)			ADCB (EXT)			ADCB (IND,X)			ADCB (IND,Y)		
	Addr	Data	R/W	Addr	Data	R/W	Addr	Data	R/W	Addr	Data	R/W	Addr	Data	R/W
1	OP	C9	1	OP	D9	1	OP	F9	1	OP	E9	1	OP	18	1
2	OP + 1	ii	1	OP + 1	dd	1	OP + 1	hh	1	OP + 1	ff	1	OP + 1	E9	1
3				00dd	(00dd)	1	OP + 2	ll	1	FFFF	—	1	OP + 2	ff	1
4							hhll	(hhll)	1	X + ff	(X + ff)	1	FFFF	—	1
5													Y + ff	(Y + ff)	1

ADD

Add without Carry

ADD

Operation: $ACCX \leftarrow (ACCX) + (M)$

Description: Adds the contents of M to the contents of ACCX and places the result in ACCX. This instruction affects the H condition code bit so it is suitable for use in BCD arithmetic operations (see [DAA](#) instruction for additional information).

Condition Codes and Boolean Formulae:

S	X	H	I	N	Z	V	C
—	—	⇕	—	⇕	⇕	⇕	⇕

$$H \quad X3 \cdot M3 + M3 \cdot \overline{R3} + \overline{R3} \cdot X3$$

Set if there was a carry from bit 3; cleared otherwise.

$$N \quad R7$$

Set if MSB of result is set; cleared otherwise.

$$Z \quad \overline{R7} \cdot \overline{R6} \cdot \overline{R5} \cdot \overline{R4} \cdot \overline{R3} \cdot \overline{R2} \cdot \overline{R1} \cdot \overline{R0}$$

Set if result is \$00; cleared otherwise.

$$V \quad X7 \cdot M7 \cdot \overline{R7} + \overline{X7} \cdot \overline{M7} \cdot R7$$

Set if a twos complement overflow resulted from the operation; cleared otherwise.

$$C \quad X7 \cdot M7 + M7 \cdot \overline{R7} + \overline{R7} \cdot X7$$

Set if there was a carry from the MSB of the result; cleared otherwise.

Source Forms: ADDA (opr); ADDB (opr)

Addressing Modes, Machine Code, and Cycle-by-Cycle Execution:

Cycle	ADDA (IMM)			ADDA (DIR)			ADDA (EXT)			ADDA (IND,X)			ADDA (IND,Y)		
	Addr	Data	R/W	Addr	Data	R/W	Addr	Data	R/W	Addr	Data	R/W	Addr	Data	R/W
1	OP	8B	1	OP	9B	1	OP	BB	1	OP	AB	1	OP	18	1
2	OP + 1	ii	1	OP + 1	dd	1	OP + 1	hh	1	OP + 1	ff	1	OP + 1	AB	1
3				00dd	(00dd)	1	OP + 2	ll	1	FFFF	—	1	OP + 2	ff	1
4							hhll	(hhll)	1	X + ff	(X + ff)	1	FFFF	—	1
5													Y + ff	(Y + ff)	1

Cycle	ADDB (IMM)			ADDB (DIR)			ADDB (EXT)			ADDB (IND,X)			ADDB (IND,Y)		
	Addr	Data	R/W	Addr	Data	R/W	Addr	Data	R/W	Addr	Data	R/W	Addr	Data	R/W
1	OP	CB	1	OP	DB	1	OP	FB	1	OP	EB	1	OP	18	1
2	OP + 1	ii	1	OP + 1	dd	1	OP + 1	hh	1	OP + 1	ff	1	OP + 1	EB	1
3				00dd	(00dd)	1	OP + 2	ll	1	FFFF	—	1	OP + 2	ff	1
4							hhll	(hhll)	1	X + ff	(X + ff)	1	FFFF	—	1
5													Y + ff	(Y + ff)	1

ADDD

Add Double Accumulator

ADDD

Operation: $ACCD \leftarrow (ACCD) + (M : M + 1)$

Description: Adds the contents of M concatenated with M + 1 to the contents of ACCD and places the result in ACCD. Accumulator A corresponds to the high-order half of the 16-bit double accumulator D.

Condition Codes and Boolean Formulae:

S	X	H	I	N	Z	V	C
—	—	—	—	⇕	⇕	⇕	⇕

N R15

Set if MSB of result is set; cleared otherwise.

Z $\overline{R15} \cdot \overline{R14} \cdot \overline{R13} \cdot \overline{R12} \cdot \overline{R11} \cdot \overline{R10} \cdot \overline{R9} \cdot \overline{R8} \cdot \overline{R7} \cdot \overline{R6} \cdot \overline{R5} \cdot \overline{R4} \cdot \overline{R3} \cdot \overline{R2} \cdot \overline{R1} \cdot \overline{R0}$

Set if result is \$0000; cleared otherwise.

V $D15 \cdot M15 \cdot \overline{R15} + \overline{D15} \cdot \overline{M15} \cdot R15$

Set if a twos complement overflow resulted from the operation; cleared otherwise.

C $D15 \cdot M15 + M15 \cdot \overline{R15} + \overline{R15} \cdot D15$

Set if there was a carry from the MSB of the result; cleared otherwise.

Source Form: ADDD (opr)

Addressing Modes, Machine Code, and Cycle-by-Cycle Execution:

Cycle	ADDD (IMM)			ADDD (DIR)			ADDD (EXT)			ADDD (IND,X)			ADDD (IND,Y)		
	Addr	Data	R/W	Addr	Data	R/W	Addr	Data	R/W	Addr	Data	R/W	Addr	Data	R/W
1	OP	C3	1	OP	D3	1	OP	F3	1	OP	E3	1	OP	18	1
2	OP + 1	jj	1	OP + 1	dd	1	OP + 1	hh	1	OP + 1	ff	1	OP + 1	E3	1
3	OP + 2	kk	1	00dd	(00dd)	1	OP + 2	ll	1	FFFF	—	1	OP + 2	ff	1
4	FFFF	—	1	00dd + 1	(00dd + 1)	1	hhll	(hhll)	1	X + ff	(X + ff)	1	FFFF	—	1
5				FFFF	—	1	hhll + 1	(hhll + 1)	1	X + ff + 1	(X + ff + 1)	1	Y + ff	(Y + ff)	1
6							FFFF	—	1	FFFF	—	1	Y + ff + 1	(Y + ff + 1)	1
7													FFFF	—	1

AND

Logical AND

AND

Operation: $ACCX \leftarrow (ACCX) \cdot (M)$

Description: Performs the logical AND between the contents of ACCX and the contents of M and places the result in ACCX. (Each bit of ACCX after the operation will be the logical AND of the corresponding bits of M and of ACCX before the operation.)

Condition Codes and Boolean Formulae:

S	X	H	I	N	Z	V	C
—	—	—	—	↕	↕	0	—

N R7

Set if MSB of result is set; cleared otherwise.

Z $\overline{R7} \cdot \overline{R6} \cdot \overline{R5} \cdot \overline{R4} \cdot \overline{R3} \cdot \overline{R2} \cdot \overline{R1} \cdot \overline{R0}$

Set if result is \$00; cleared otherwise.

V 0

Cleared

Source Forms: ANDA (opr); ANDB (opr)

Addressing Modes, Machine Code, and Cycle-by-Cycle Execution:

Cycle	ANDA (IMM)			ANDA (DIR)			ANDA (EXT)			ANDA (IND,X)			ANDA (IND,Y)		
	Addr	Data	R/W	Addr	Data	R/W	Addr	Data	R/W	Addr	Data	R/W	Addr	Data	R/W
1	OP	84	1	OP	94	1	OP	B4	1	OP	A4	1	OP	18	1
2	OP + 1	ii	1	OP + 1	dd	1	OP + 1	hh	1	OP + 1	ff	1	OP + 1	A4	1
3				00dd	(00dd)	1	OP + 2	ll	1	FFFF	—	1	OP + 2	ff	1
4							hhll	(hhll)	1	X + ff	(X + ff)	1	FFFF	—	1
5													Y + ff	(Y + ff)	1

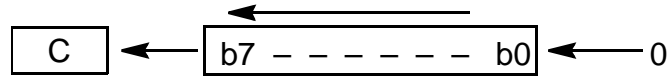
Cycle	ANDB (IMM)			ANDB (DIR)			ANDB (EXT)			ANDB (IND,X)			ANDB (IND,Y)		
	Addr	Data	R/W	Addr	Data	R/W	Addr	Data	R/W	Addr	Data	R/W	Addr	Data	R/W
1	OP	C4	1	OP	D4	1	OP	F4	1	OP	E4	1	OP	18	1
2	OP + 1	ii	1	OP + 1	dd	1	OP + 1	hh	1	OP + 1	ff	1	OP + 1	E4	1
3				00dd	(00dd)	1	OP + 2	ll	1	FFFF	—	1	OP + 2	ff	1
4							hhll	(hhll)	1	X + ff	(X + ff)	1	FFFF	—	1
5													Y + ff	(Y + ff)	1

ASL

Arithmetic Shift Left (Same as LSL)

ASL

Operation:



Description:

Shifts all bits of the ACCX or M one place to the left. Bit 0 is loaded with a 0. The C bit in the CCR is loaded from the most significant bit of ACCX or M.

Condition Codes and Boolean Formulae:

S	X	H	I	N	Z	V	C
—	—	—	—	↕	↕	↕	↕

N R7

Set if MSB of result is set; cleared otherwise.

Z $\overline{R7} \cdot \overline{R6} \cdot \overline{R5} \cdot \overline{R4} \cdot \overline{R3} \cdot \overline{R2} \cdot \overline{R1} \cdot \overline{R0}$

Set if result is \$00; cleared otherwise.

V $N \oplus C = [N \cdot \overline{C}] + [\overline{N} \cdot C]$ (for N and C after the shift)

Set if (N is set and C is clear) or (N is clear and C is set); cleared otherwise (for values of N and C after the shift).

C M7

Set if, before the shift, the MSB of ACCX or M was set; cleared otherwise.

Source Forms: ASLA; ASLB; ASL (opr)

Addressing Modes, Machine Code, and Cycle-by-Cycle Execution:

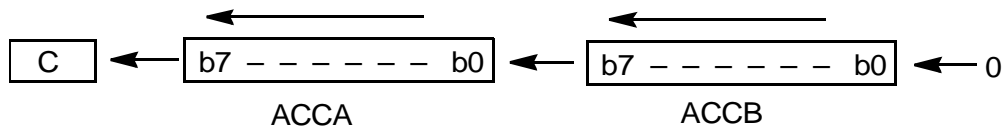
Cycle	ASLA (INH)			ASLB (INH)			ASL (EXT)			ASL (IND,X)			ASL (IND,Y)		
	Addr	Data	R/W	Addr	Data	R/W	Addr	Data	R/W	Addr	Data	R/W	Addr	Data	R/W
1	OP	48	1	OP	58	1	OP	78	1	OP	68	1	OP	18	1
2	OP + 1	—	1	OP + 1	—	1	OP + 1	hh	1	OP + 1	ff	1	OP + 1	68	1
3							OP + 2	ll	1	FFFF	—	1	OP + 2	ff	1
4							hhll	(hhll)	1	X + ff	(X + ff)	1	FFFF	—	1
5							FFFF	—	1	FFFF	—	1	Y + ff	(Y + ff)	1
6							hhll	result	0	X + ff	result	0	FFFF	—	1
7													Y + ff	result	0

ASLD

Arithmetic Shift Left Double Accumulator (Same as LSLD)

ASLD

Operation:



Description:

Shifts all bits of ACCD one place to the left. Bit 0 is loaded with a 0. The C bit in the CCR is loaded from the most significant bit of ACCD.

Condition Codes and Boolean Formulae:

S	X	H	I	N	Z	V	C
—	—	—	—	↕	↕	↕	↕

N R15

Set if MSB of result is set; cleared otherwise.

Z $\overline{R15} \cdot \overline{R14} \cdot \overline{R13} \cdot \overline{R12} \cdot \overline{R11} \cdot \overline{R10} \cdot \overline{R9} \cdot \overline{R8} \cdot \overline{R7} \cdot \overline{R6} \cdot \overline{R5} \cdot \overline{R4} \cdot \overline{R3} \cdot \overline{R2} \cdot \overline{R1} \cdot \overline{R0}$

Set if result is \$0000; cleared otherwise.

V $N \oplus C = [N \cdot \overline{C}] + [\overline{N} \cdot C]$ (for N and C after the shift)

Set if (N is set and C is clear) or (N is clear and C is set); cleared otherwise (for values of N and C after the shift).

C D15

Set if, before the shift, the MSB of ACCD was set; cleared otherwise.

Source Form: ASLD

Addressing Modes, Machine Code, and Cycle-by-Cycle Execution:

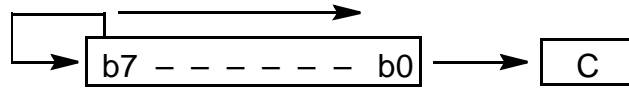
Cycle	ASLD (INH)		
	Addr	Data	R/W
1	OP	05	1
2	OP + 1	—	1
3	FFFF	—	1

ASR

Arithmetic Shift Right

ASR

Operation:



Description: Shifts all bits of the ACCX or M one place to the right. Bit 7 is held constant. Bit 0 is loaded into the C bit of the CCR. This operation effectively divides a twos complement value by two without changing its sign. The carry bit can be used to round the result.

**Condition Codes
and Boolean
Formulae:**

S	X	H	I	N	Z	V	C
—	—	—	—	↕	↕	↕	↕

N R7

Set if MSB of result is set; cleared otherwise.

Z $\overline{R7} \cdot \overline{R6} \cdot \overline{R5} \cdot \overline{R4} \cdot \overline{R3} \cdot \overline{R2} \cdot \overline{R1} \cdot \overline{R0}$

Set if result is \$00; cleared otherwise.

V $N \oplus C = [N \cdot \overline{C}] + [\overline{N} \cdot C]$ (for N and C after the shift)

Set if (N is set and C is clear) or (N is clear and C is set); cleared otherwise (for values of N and C after the shift).

C M0

Set if, before the shift, the LSB of ACCX or M was set; cleared otherwise.

Source Forms: ASRA; ASRB; ASR (opr)

Addressing Modes, Machine Code, and Cycle-by-Cycle Execution:

Cycle	ASRA (INH)			ASRB (INH)			ASR (EXT)			ASR (IND,X)			ASR (IND,Y)		
	Addr	Data	R/W	Addr	Data	R/W	Addr	Data	R/W	Addr	Data	R/W	Addr	Data	R/W
1	OP	47	1	OP	57	1	OP	77	1	OP	67	1	OP	18	1
2	OP+1	—	1	OP+1	—	1	OP+1	hh	1	OP+1	ff	1	OP+1	67	1
3							OP+2	ll	1	FFFF	—	1	OP+2	ff	1
4							hhll	(hhll)	1	X+ff	(X+ff)	1	FFFF	—	1
5							FFFF	—	1	FFFF	—	1	Y+ff	(Y+ff)	1
6							hhll	result	0	X+ff	result	0	FFFF	—	1
7													Y+ff	result	0

BCC

Branch if Carry Clear (Same as BHS)

BCC

Operation: $PC \leftarrow (PC) + \$0002 + Rel$ if $(C) = 0$

Description: Tests the state of the C bit in the CCR and causes a branch if C is clear. See [BRA](#) instruction for further details of the execution of the branch.

**Condition Codes
and Boolean
Formulae:**

S	X	H	I	N	Z	V	C
—	—	—	—	—	—	—	—

None affected

Source Form: BCC (rel)

Addressing Modes, Machine Code, and Cycle-by-Cycle Execution:

Cycle	BCC (REL)		
	Addr	Data	R/W
1	OP	24	1
2	OP + 1	rr	1
3	FFFF	—	1

The following table is a summary of all branch instructions.

Test	Boolean	Mnemonic	Opcode	Complementary	Branch	Comment	
$r > m$	$Z + (N \oplus V) = 0$	BGT	2E	$r \leq m$	BLE	2F	Signed
$r \geq m$	$N \oplus V = 0$	BGE	2C	$r < m$	BLT	2D	Signed
$r = m$	$Z = 1$	BEQ	27	$r \neq m$	BNE	26	Signed
$r \leq m$	$Z + (N \oplus V) = 1$	BLE	2F	$r > m$	BGT	2E	Signed
$r < m$	$N \oplus V = 1$	BLT	2D	$r \geq m$	BGE	2C	Signed
$r > m$	$C + Z = 0$	BHI	22	$r \leq m$	BLS	23	Unsigned
$r \geq m$	$C = 0$	BHS/BCC	24	$r < m$	BLO/BCS	25	Unsigned
$r = m$	$Z = 1$	BEQ	27	$r \neq m$	BNE	26	Unsigned
$r \leq m$	$C + Z = 1$	BLS	23	$r > m$	BHI	22	Unsigned
$r < m$	$C = 1$	BLO/BCS	25	$r \geq m$	BHS/BCC	24	Unsigned
Carry	$C = 1$	BCS	25	No Carry	BCC	24	Simple
Negative	$N = 1$	BMI	2B	Plus	BPL	2A	Simple
Overflow	$V = 1$	BVS	29	No Overflow	BVC	28	Simple
$r = 0$	$Z = 1$	BEQ	27	$r \neq 0$	BNE	26	Simple
Always	—	BRA	20	Never	BRN	21	Unconditional

BCLR

Clear Bit(s) in Memory

BCLR

Operation: $M \leftarrow (M) \cdot \overline{(PC + 2)}$
 $M \leftarrow (M) \cdot \overline{(PC + 3)}$ (for IND, Y address mode only)

Description: Clear multiple bits in location M. The bit(s) to be cleared are specified by 1s in the mask byte. All other bits in M are rewritten to their current state.

**Condition Codes
and Boolean
Formulae:**

S	X	H	I	N	Z	V	C
—	—	—	—	↕	↕	0	—

N R7

Set if MSB of result is set; cleared otherwise.

Z $\overline{R7} \cdot \overline{R6} \cdot \overline{R5} \cdot \overline{R4} \cdot \overline{R3} \cdot \overline{R2} \cdot \overline{R1} \cdot \overline{R0}$

Set if result is \$00; cleared otherwise.

V 0

Cleared

Source Form: BCLR (opr) (msk)

Addressing Modes, Machine Code, and Cycle-by-Cycle Execution:

Cycle	BCLR (DIR)			BCLR (IND,X)			BCLR (IND,Y)		
	Addr	Data	R/W	Addr	Data	R/W	Addr	Data	R/W
1	OP	15	1	OP	1D	1	OP	18	1
2	OP + 1	dd	1	OP + 1	ff	1	OP + 1	1D	1
3	00dd	(00dd)	1	FFFF	—	1	OP + 2	ff	1
4	OP + 2	mm	1	X + ff	(X + ff)	1	FFFF	—	1
5	FFFF	—	1	OP + 2	mm	1	(Y) + ff	(Y + ff)	1
6	00dd	result	0	FFFF	—	1	OP + 3	mm	1
7				X + ff	result	0	FFFF	—	1
8							Y + ff	result	0

BCS

Branch if Carry Set (Same as BLO)

BCS

Operation: $PC \leftarrow (PC) + \$0002 + Rel$ if $(C) = 1$

Description: Tests the state of the C bit in the CCR and causes a branch if C is set. See [BRA](#) instruction for further details of the execution of the branch.

**Condition Codes
and Boolean
Formulae:**

S	X	H	I	N	Z	V	C
—	—	—	—	—	—	—	—

None affected

Source Form: BCS (rel)

Addressing Modes, Machine Code, and Cycle-by-Cycle Execution:

Cycle	BCS (REL)		
	Addr	Data	R/W
1	OP	25	1
2	OP + 1	rr	1
3	FFFF	—	1

The following table is a summary of all branch instructions.

Test	Boolean	Mnemonic	Opcode	Complementary	Branch	Comment	
$r > m$	$Z + (N \oplus V) = 0$	BGT	2E	$r \leq m$	BLE	2F	Signed
$r \geq m$	$N \oplus V = 0$	BGE	2C	$r < m$	BLT	2D	Signed
$r = m$	$Z = 1$	BEQ	27	$r \neq m$	BNE	26	Signed
$r \leq m$	$Z + (N \oplus V) = 1$	BLE	2F	$r > m$	BGT	2E	Signed
$r < m$	$N \oplus V = 1$	BLT	2D	$r \geq m$	BGE	2C	Signed
$r > m$	$C + Z = 0$	BHI	22	$r \leq m$	BLS	23	Unsigned
$r \geq m$	$C = 0$	BHS/BCC	24	$r < m$	BLO/BCS	25	Unsigned
$r = m$	$Z = 1$	BEQ	27	$r \neq m$	BNE	26	Unsigned
$r \leq m$	$C + Z = 1$	BLS	23	$r > m$	BHI	22	Unsigned
$r < m$	$C = 1$	BLO/BCS	25	$r \geq m$	BHS/BCC	24	Unsigned
Carry	$C = 1$	BCS	25	No Carry	BCC	24	Simple
Negative	$N = 1$	BMI	2B	Plus	BPL	2A	Simple
Overflow	$V = 1$	BVS	29	No Overflow	BVC	28	Simple
$r = 0$	$Z = 1$	BEQ	27	$r \neq 0$	BNE	26	Simple
Always	—	BRA	20	Never	BRN	21	Unconditional

BEQ

Branch if Equal

BEQ

Operation: $PC \leftarrow (PC) + \$0002 + Rel$ if $(Z) = 1$

Description: Tests the state of the Z bit in the CCR and causes a branch if Z is set. See [BRA](#) instruction for further details of the execution of the branch.

**Condition Codes
and Boolean
Formulae:**

S	X	H	I	N	Z	V	C
—	—	—	—	—	—	—	—

None affected

Source Form: BEQ (rel)

Addressing Modes, Machine Code, and Cycle-by-Cycle Execution:

Cycle	BEQ (REL)		
	Addr	Data	R/W
1	OP	27	1
2	OP + 1	rr	1
3	FFFF	—	1

The following table is a summary of all branch instructions.

Test	Boolean	Mnemonic	Opcode	Complementary	Branch	Comment
$r > m$	$Z + (N \oplus V) = 0$	BGT	2E	$r \leq m$	BLE	2F Signed
$r \geq m$	$N \oplus V = 0$	BGE	2C	$r < m$	BLT	2D Signed
$r = m$	$Z = 1$	BEQ	27	$r \neq m$	BNE	26 Signed
$r \leq m$	$Z + (N \oplus V) = 1$	BLE	2F	$r > m$	BGT	2E Signed
$r < m$	$N \oplus V = 1$	BLT	2D	$r \geq m$	BGE	2C Signed
$r > m$	$C + Z = 0$	BHI	22	$r \leq m$	BLS	23 Unsigned
$r \geq m$	$C = 0$	BHS/BCC	24	$r < m$	BLO/BCS	25 Unsigned
$r = m$	$Z = 1$	BEQ	27	$r \neq m$	BNE	26 Unsigned
$r \leq m$	$C + Z = 1$	BLS	23	$r > m$	BHI	22 Unsigned
$r < m$	$C = 1$	BLO/BCS	25	$r \geq m$	BHS/BCC	24 Unsigned
Carry	$C = 1$	BCS	25	No Carry	BCC	24 Simple
Negative	$N = 1$	BMI	2B	Plus	BPL	2A Simple
Overflow	$V = 1$	BVS	29	No Overflow	BVC	28 Simple
$r = 0$	$Z = 1$	BEQ	27	$r \neq 0$	BNE	26 Simple
Always	—	BRA	20	Never	BRN	21 Unconditional

BGE

Branch if Greater than or Equal to Zero

BGE

Operation: $PC \leftarrow (PC) + \$0002 + Rel$ if $(N) \oplus (V) = 0$
 i.e., if $(ACCX) \geq (M)$ (twos-complement signed numbers)

Description: If the BGE instruction is executed immediately after execution of any of the instructions, CBA, CMP(A, B, or D), CP(X or Y), SBA, SUB(A, B, or D), the branch will occur if and only if the twos complement number represented by ACCX was greater than or equal to the twos complement number represented by M.

See [BRA](#) instruction for further details of the execution of the branch.

Condition Codes and Boolean Formulae:

S	X	H	I	N	Z	V	C
—	—	—	—	—	—	—	—

None affected

Source Form: BGE (rel)

Addressing Modes, Machine Code, and Cycle-by-Cycle Execution:

Cycle	BGE (REL)		
	Addr	Data	R/W
1	OP	2C	1
2	OP + 1	rr	1
3	FFFF	—	1

The following table is a summary of all branch instructions.

Test	Boolean	Mnemonic	Opcode	Complementary	Branch	Comment	
$r > m$	$Z + (N \oplus V) = 0$	BGT	2E	$r \leq m$	BLE	2F	Signed
$r \geq m$	$N \oplus V = 0$	BGE	2C	$r < m$	BLT	2D	Signed
$r = m$	$Z = 1$	BEQ	27	$r \neq m$	BNE	26	Signed
$r \leq m$	$Z + (N \oplus V) = 1$	BLE	2F	$r > m$	BGT	2E	Signed
$r < m$	$N \oplus V = 1$	BLT	2D	$r \geq m$	BGE	2C	Signed
$r > m$	$C + Z = 0$	BHI	22	$r \leq m$	BLS	23	Unsigned
$r \geq m$	$C = 0$	BHS/BCC	24	$r < m$	BLO/BCS	25	Unsigned
$r = m$	$Z = 1$	BEQ	27	$r \neq m$	BNE	26	Unsigned
$r \leq m$	$C + Z = 1$	BLS	23	$r > m$	BHI	22	Unsigned
$r < m$	$C = 1$	BLO/BCS	25	$r \geq m$	BHS/BCC	24	Unsigned
Carry	$C = 1$	BCS	25	No Carry	BCC	24	Simple
Negative	$N = 1$	BMI	2B	Plus	BPL	2A	Simple
Overflow	$V = 1$	BVS	29	No Overflow	BVC	28	Simple
$r = 0$	$Z = 1$	BEQ	27	$r \neq 0$	BNE	26	Simple
Always	—	BRA	20	Never	BRN	21	Unconditional

BGT

Branch if Greater than Zero

BGT

Operation: $PC \leftarrow (PC) + \$0002 + Rel$ if $(Z) + [(N) \oplus (V)] = 0$
i.e., if $(ACCX) > (M)$ (twos-complement signed numbers)

Description: If the BGT instruction is executed immediately after execution of any of the instructions, CBA, CMP(A, B, or D), CP(X or Y), SBA, SUB(A, B, or D), the branch will occur if and only if the twos complement number represented by ACCX was greater than the twos complement number represented by M.

See [BRA](#) instruction for further details of the execution of the branch.

**Condition Codes
and Boolean
Formulae:**

S	X	H	I	N	Z	V	C
—	—	—	—	—	—	—	—

None affected

Source Form: BGT (rel)

Addressing Modes, Machine Code, and Cycle-by-Cycle Execution:

Cycle	BGT (REL)		
	Addr	Data	R/W
1	OP	2E	1
2	OP + 1	rr	1
3	FFFF	—	1

The following table is a summary of all branch instructions.

Test	Boolean	Mnemonic	Opcode	Complementary	Branch	Comment
$r > m$	$Z + (N \oplus V) = 0$	BGT	2E	$r \leq m$	BLE	2F Signed
$r \geq m$	$N \oplus V = 0$	BGE	2C	$r < m$	BLT	2D Signed
$r = m$	$Z = 1$	BEQ	27	$r \neq m$	BNE	26 Signed
$r \leq m$	$Z + (N \oplus V) = 1$	BLE	2F	$r > m$	BGT	2E Signed
$r < m$	$N \oplus V = 1$	BLT	2D	$r \geq m$	BGE	2C Signed
$r > m$	$C + Z = 0$	BHI	22	$r \leq m$	BLS	23 Unsigned
$r \geq m$	$C = 0$	BHS/BCC	24	$r < m$	BLO/BCS	25 Unsigned
$r = m$	$Z = 1$	BEQ	27	$r \neq m$	BNE	26 Unsigned
$r \leq m$	$C + Z = 1$	BLS	23	$r > m$	BHI	22 Unsigned
$r < m$	$C = 1$	BLO/BCS	25	$r \geq m$	BHS/BCC	24 Unsigned
Carry	$C = 1$	BCS	25	No Carry	BCC	24 Simple
Negative	$N = 1$	BMI	2B	Plus	BPL	2A Simple
Overflow	$V = 1$	BVS	29	No Overflow	BVC	28 Simple
$r = 0$	$Z = 1$	BEQ	27	$r \neq 0$	BNE	26 Simple
Always	—	BRA	20	Never	BRN	21 Unconditional

BHI

Branch if Higher

BHI

Operation: $PC \leftarrow (PC) + \$0002 + Rel$ if $(C) + (Z) = 0$
 i.e., if $(ACCX) > (M)$ (unsigned binary numbers)

Description: If the BHI instruction is executed immediately after execution of any of the instructions, CBA, CMP(A, B, or D), CP(X or Y), SBA, SUB(A, B, or D), the branch will occur if and only if the unsigned binary number represented by ACCX was greater than unsigned binary number represented by M. Generally not useful after INC/DEC, LD/ST, TST/CLR/COM because these instructions do not affect the C bit in the CCR.

See [BRA](#) instruction for further details of the execution of the branch.

Condition Codes and Boolean Formulae:

S	X	H	I	N	Z	V	C
—	—	—	—	—	—	—	—

None affected

Source Form: BHI (rel)

Addressing Modes, Machine Code, and Cycle-by-Cycle Execution:

Cycle	BHI (REL)		
	Addr	Data	R/W
1	OP	22	1
2	OP + 1	rr	1
3	FFFF	—	1

The following table is a summary of all branch instructions.

Test	Boolean	Mnemonic	Opcode	Complementary	Branch	Comment
$r > m$	$Z + (N \oplus V) = 0$	BGT	2E	$r \leq m$	BLE	2F Signed
$r \geq m$	$N \oplus V = 0$	BGE	2C	$r < m$	BLT	2D Signed
$r = m$	$Z = 1$	BEQ	27	$r \neq m$	BNE	26 Signed
$r \leq m$	$Z + (N \oplus V) = 1$	BLE	2F	$r > m$	BGT	2E Signed
$r < m$	$N \oplus V = 1$	BLT	2D	$r \geq m$	BGE	2C Signed
$r > m$	$C + Z = 0$	BHI	22	$r \leq m$	BLS	23 Unsigned
$r \geq m$	$C = 0$	BHS/BCC	24	$r < m$	BLO/BCS	25 Unsigned
$r = m$	$Z = 1$	BEQ	27	$r \neq m$	BNE	26 Unsigned
$r \leq m$	$C + Z = 1$	BLS	23	$r > m$	BHI	22 Unsigned
$r < m$	$C = 1$	BLO/BCS	25	$r \geq m$	BHS/BCC	24 Unsigned
Carry	$C = 1$	BCS	25	No Carry	BCC	24 Simple
Negative	$N = 1$	BMI	2B	Plus	BPL	2A Simple
Overflow	$V = 1$	BVS	29	No Overflow	BVC	28 Simple
$r = 0$	$Z = 1$	BEQ	27	$r \neq 0$	BNE	26 Simple
Always	—	BRA	20	Never	BRN	21 Unconditional

BHS

Branch if Higher or Same (Same as BCC)

BHS

Operation: $PC \leftarrow (PC) + \$0002 + Rel$ if $(C) = 0$
i.e., if $(ACCX) \geq (M)$ (unsigned binary numbers)

Description: If the BHS instruction is executed immediately after execution of any of the instructions, CBA, CMP(A, B, or D), CP(X or Y), SBA, SUB(A, B, or D), the branch will occur if and only if the unsigned binary number represented by ACCX was greater than or equal to the unsigned binary number represented by M. Generally not useful after INC/DEC, LD/ST, TST/CLR/COM because these instructions do not affect the C bit in the CCR.

See **BRA** instruction for further details of the execution of the branch.

**Condition Codes
and Boolean
Formulae:**

S	X	H	I	N	Z	V	C
—	—	—	—	—	—	—	—

None affected

Source Form: BHS (rel)

Addressing Modes, Machine Code, and Cycle-by-Cycle Execution:

Cycle	BHS (REL)		
	Addr	Data	R/W
1	OP	24	1
2	OP + 1	rr	1
3	FFFF	—	1

The following table is a summary of all branch instructions.

Test	Boolean	Mnemonic	Opcode	Complementary	Branch	Comment
$r > m$	$Z + (N \oplus V) = 0$	BGT	2E	$r \leq m$	BLE	2F Signed
$r \geq m$	$N \oplus V = 0$	BGE	2C	$r < m$	BLT	2D Signed
$r = m$	$Z = 1$	BEQ	27	$r \neq m$	BNE	26 Signed
$r \leq m$	$Z + (N \oplus V) = 1$	BLE	2F	$r > m$	BGT	2E Signed
$r < m$	$N \oplus V = 1$	BLT	2D	$r \geq m$	BGE	2C Signed
$r > m$	$C + Z = 0$	BHI	22	$r \leq m$	BLS	23 Unsigned
$r \geq m$	$C = 0$	BHS/BCC	24	$r < m$	BLO/BCS	25 Unsigned
$r = m$	$Z = 1$	BEQ	27	$r \neq m$	BNE	26 Unsigned
$r \leq m$	$C + Z = 1$	BLS	23	$r > m$	BHI	22 Unsigned
$r < m$	$C = 1$	BLO/BCS	25	$r \geq m$	BHS/BCC	24 Unsigned
Carry	$C = 1$	BCS	25	No Carry	BCC	24 Simple
Negative	$N = 1$	BMI	2B	Plus	BPL	2A Simple
Overflow	$V = 1$	BVS	29	No Overflow	BVC	28 Simple
$r = 0$	$Z = 1$	BEQ	27	$r \neq 0$	BNE	26 Simple
Always	—	BRA	20	Never	BRN	21 Unconditional

BIT

Bit Test

BIT

Operation: (ACCX) • (M)

Description: Performs the logical AND between the contents of ACCX and the contents of M and modifies the condition codes accordingly. Neither the contents of ACCX nor M operands are affected. (Each bit of the result of the AND would be the logical AND of the corresponding bits of ACCX and M.)

Condition Codes and Boolean Formulae:

S	X	H	I	N	Z	V	C
—	—	—	—	⇕	⇕	0	—

N R7

Set if MSB of result is set; cleared otherwise.

Z $\overline{R7} \cdot \overline{R6} \cdot \overline{R5} \cdot \overline{R4} \cdot \overline{R3} \cdot \overline{R2} \cdot \overline{R1} \cdot \overline{R0}$

Set if result is \$00; cleared otherwise.

V 0

Cleared

Source Forms: BITA (opr); BITB (opr)

Addressing Modes, Machine Code, and Cycle-by-Cycle Execution:

Cycle	BITA (IMM)			BITA (DIR)			BITA (EXT)			BITA (IND,X)			BITA (IND,Y)		
	Addr	Data	R/W	Addr	Data	R/W	Addr	Data	R/W	Addr	Data	R/W	Addr	Data	R/W
1	OP	85	1	OP	95	1	OP	B5	1	OP	A5	1	OP	18	1
2	OP + 1	ii	1	OP + 1	dd	1	OP + 1	hh	1	OP + 1	ff	1	OP + 1	A5	1
3				00dd	(00dd)	1	OP + 2	ll	1	FFFF	—	1	OP + 2	ff	1
4							hhll	(hhll)	1	X + ff	(X + ff)	1	FFFF	—	1
5													Y + ff	(Y + ff)	1

Cycle	BITB (IMM)			BITB (DIR)			BITB (EXT)			BITB (IND,X)			BITB (IND,Y)		
	Addr	Data	R/W	Addr	Data	R/W	Addr	Data	R/W	Addr	Data	R/W	Addr	Data	R/W
1	OP	C5	1	OP	D5	1	OP	F5	1	OP	E5	1	OP	18	1
2	OP + 1	ii	1	OP + 1	dd	1	OP + 1	hh	1	OP + 1	ff	1	OP + 1	E5	1
3				00dd	(00dd)	1	OP + 2	ll	1	FFFF	—	1	OP + 2	ff	1
4							hhll	(hhll)	1	X + ff	(X + ff)	1	FFFF	—	1
5													Y + ff	(Y + ff)	1

BLE

Branch if Less than or Equal to Zero

BLE

Operation: $PC \leftarrow (PC) + \$0002 + Rel$ if $(Z) + [(N) \oplus (V)] = 1$
i.e., if $(ACCX) \leq (M)$ (twos complement signed numbers)

Description: If the BLE instruction is executed immediately after execution of any of the instructions, CBA, CMP(A, B, or D), CP(X or Y), SBA, SUB(A, B, or D), the branch will occur if and only if the twos complement signed number represented by ACCX was less than or equal to the twos complement signed number represented by M.

See [BRA](#) instruction for further details of the execution of the branch.

**Condition Codes
and Boolean
Formulae:**

S	X	H	I	N	Z	V	C
—	—	—	—	—	—	—	—

None affected

Source Form: BLE (rel)

Addressing Modes, Machine Code, and Cycle-by-Cycle Execution:

Cycle	BLE (REL)		
	Addr	Data	R/W
1	OP	2F	1
2	OP + 1	rr	1
3	FFFF	—	1

The following table is a summary of all branch instructions.

Test	Boolean	Mnemonic	Opcode	Complementary	Branch	Comment
$r > m$	$Z + (N \oplus V) = 0$	BGT	2E	$r \leq m$	BLE	2F Signed
$r \geq m$	$N \oplus V = 0$	BGE	2C	$r < m$	BLT	2D Signed
$r = m$	$Z = 1$	BEQ	27	$r \neq m$	BNE	26 Signed
$r \leq m$	$Z + (N \oplus V) = 1$	BLE	2F	$r > m$	BGT	2E Signed
$r < m$	$N \oplus V = 1$	BLT	2D	$r \geq m$	BGE	2C Signed
$r > m$	$C + Z = 0$	BHI	22	$r \leq m$	BLS	23 Unsigned
$r \geq m$	$C = 0$	BHS/BCC	24	$r < m$	BLO/BCS	25 Unsigned
$r = m$	$Z = 1$	BEQ	27	$r \neq m$	BNE	26 Unsigned
$r \leq m$	$C + Z = 1$	BLS	23	$r > m$	BHI	22 Unsigned
$r < m$	$C = 1$	BLO/BCS	25	$r \geq m$	BHS/BCC	24 Unsigned
Carry	$C = 1$	BCS	25	No Carry	BCC	24 Simple
Negative	$N = 1$	BMI	2B	Plus	BPL	2A Simple
Overflow	$V = 1$	BVS	29	No Overflow	BVC	28 Simple
$r = 0$	$Z = 1$	BEQ	27	$r \neq 0$	BNE	26 Simple
Always	—	BRA	20	Never	BRN	21 Unconditional

BLO

Branch if Lower (Same as BCS)

BLO

Operation: $PC \leftarrow (PC) + \$0002 + Rel$ if $(C) = 1$
 i.e., if $(ACCX) < (M)$ (unsigned binary numbers)

Description: If the BLO instruction is executed immediately after execution of any of the instructions, CBA, CMP(A, B, or D), CP(X or Y), SBA, SUB(A, B, or D), the branch will occur if and only if the unsigned binary number represented by ACCX was less than the unsigned binary number represented by M. Generally not useful after INC/DEC, LD/ST, TST/CLR/COM because these instructions do not affect the C bit in the CCR.

See **BRA** instruction for further details of the execution of the branch.

Condition Codes and Boolean Formulae:

S	X	H	I	N	Z	V	C
—	—	—	—	—	—	—	—

None affected

Source Form: BLO (rel)

Addressing Modes, Machine Code, and Cycle-by-Cycle Execution:

Cycle	BLO (REL)		
	Addr	Data	R/W
1	OP	25	1
2	OP + 1	rr	1
3	FFFF	—	1

The following table is a summary of all branch instructions.

Test	Boolean	Mnemonic	Opcode	Complementary	Branch	Comment
$r > m$	$Z + (N \oplus V) = 0$	BGT	2E	$r \leq m$	BLE	2F Signed
$r \geq m$	$N \oplus V = 0$	BGE	2C	$r < m$	BLT	2D Signed
$r = m$	$Z = 1$	BEQ	27	$r \neq m$	BNE	26 Signed
$r \leq m$	$Z + (N \oplus V) = 1$	BLE	2F	$r > m$	BGT	2E Signed
$r < m$	$N \oplus V = 1$	BLT	2D	$r \geq m$	BGE	2C Signed
$r > m$	$C + Z = 0$	BHI	22	$r \leq m$	BLS	23 Unsigned
$r \geq m$	$C = 0$	BHS/BCC	24	$r < m$	BLO/BCS	25 Unsigned
$r = m$	$Z = 1$	BEQ	27	$r \neq m$	BNE	26 Unsigned
$r \leq m$	$C + Z = 1$	BLS	23	$r > m$	BHI	22 Unsigned
$r < m$	$C = 1$	BLO/BCS	25	$r \geq m$	BHS/BCC	24 Unsigned
Carry	$C = 1$	BCS	25	No Carry	BCC	24 Simple
Negative	$N = 1$	BMI	2B	Plus	BPL	2A Simple
Overflow	$V = 1$	BVS	29	No Overflow	BVC	28 Simple
$r = 0$	$Z = 1$	BEQ	27	$r \neq 0$	BNE	26 Simple
Always	—	BRA	20	Never	BRN	21 Unconditional

BLS

Branch if Lower or Same

BLS

Operation: $PC \leftarrow (PC) + \$0002 + Rel$ if $(C) + (Z) = 1$
i.e., if $(ACCX) \leq (M)$ (unsigned binary numbers)

Description: If the BLS instruction is executed immediately after execution of any of the instructions, CBA, CMP(A, B, or D), CP(X or Y), SBA, SUB(A, B, or D), the branch will occur if and only if the unsigned binary number represented by ACCX was less than or equal to the unsigned binary number represented by M. Generally not useful after INC/DEC, LD/ST, TST/CLR/COM because these instructions do not affect the C bit in the CCR.

See **BRA** instruction for further details of the execution of the branch.

**Condition Codes
and Boolean
Formulae:**

S	X	H	I	N	Z	V	C
—	—	—	—	—	—	—	—

None affected

Source Form: BLS (rel)

Addressing Modes, Machine Code, and Cycle-by-Cycle Execution:

Cycle	BLS (REL)		
	Addr	Data	R/W
1	OP	23	1
2	OP + 1	rr	1
3	FFFF	—	1

The following table is a summary of all branch instructions.

Test	Boolean	Mnemonic	Opcode	Complementary	Branch	Comment
$r > m$	$Z + (N \oplus V) = 0$	BGT	2E	$r \leq m$	BLE	2F Signed
$r \geq m$	$N \oplus V = 0$	BGE	2C	$r < m$	BLT	2D Signed
$r = m$	$Z = 1$	BEQ	27	$r \neq m$	BNE	26 Signed
$r \leq m$	$Z + (N \oplus V) = 1$	BLE	2F	$r > m$	BGT	2E Signed
$r < m$	$N \oplus V = 1$	BLT	2D	$r \geq m$	BGE	2C Signed
$r > m$	$C + Z = 0$	BHI	22	$r \leq m$	BLS	23 Unsigned
$r \geq m$	$C = 0$	BHS/BCC	24	$r < m$	BLO/BCS	25 Unsigned
$r = m$	$Z = 1$	BEQ	27	$r \neq m$	BNE	26 Unsigned
$r \leq m$	$C + Z = 1$	BLS	23	$r > m$	BHI	22 Unsigned
$r < m$	$C = 1$	BLO/BCS	25	$r \geq m$	BHS/BCC	24 Unsigned
Carry	$C = 1$	BCS	25	No Carry	BCC	24 Simple
Negative	$N = 1$	BMI	2B	Plus	BPL	2A Simple
Overflow	$V = 1$	BVS	29	No Overflow	BVC	28 Simple
$r = 0$	$Z = 1$	BEQ	27	$r \neq 0$	BNE	26 Simple
Always	—	BRA	20	Never	BRN	21 Unconditional

BLT

Branch if Less than Zero

BLT

Operation: $PC \leftarrow (PC) + \$0002 + Rel$ if $(N) \oplus (V) = 1$
 i.e., if $(ACCX) < (M)$ (twos complement signed numbers)

Description: If the BLT instruction is executed immediately after execution of any of the instructions, CBA, CMP(A, B, or D), CP(X or Y), SBA, SUB(A, B, or D), the branch will occur if and only if the twos-complement number represented by ACCX was less than the twos-complement number represented by M.

See [BRA](#) instruction for further details of the execution of the branch.

Condition Codes and Boolean Formulae:

S	X	H	I	N	Z	V	C
—	—	—	—	—	—	—	—

None affected

Source Form: BLT (rel)

Addressing Modes, Machine Code, and Cycle-by-Cycle Execution:

Cycle	BLT (REL)		
	Addr	Data	R/W
1	OP	2D	1
2	OP + 1	rr	1
3	FFFF	—	1

The following table is a summary of all branch instructions.

Test	Boolean	Mnemonic	Opcode	Complementary	Branch	Comment
$r > m$	$Z + (N \oplus V) = 0$	BGT	2E	$r \leq m$	BLE	2F Signed
$r \geq m$	$N \oplus V = 0$	BGE	2C	$r < m$	BLT	2D Signed
$r = m$	$Z = 1$	BEQ	27	$r \neq m$	BNE	26 Signed
$r \leq m$	$Z + (N \oplus V) = 1$	BLE	2F	$r > m$	BGT	2E Signed
$r < m$	$N \oplus V = 1$	BLT	2D	$r \geq m$	BGE	2C Signed
$r > m$	$C + Z = 0$	BHI	22	$r \leq m$	BLS	23 Unsigned
$r \geq m$	$C = 0$	BHS/BCC	24	$r < m$	BLO/BCS	25 Unsigned
$r = m$	$Z = 1$	BEQ	27	$r \neq m$	BNE	26 Unsigned
$r \leq m$	$C + Z = 1$	BLS	23	$r > m$	BHI	22 Unsigned
$r < m$	$C = 1$	BLO/BCS	25	$r \geq m$	BHS/BCC	24 Unsigned
Carry	$C = 1$	BCS	25	No Carry	BCC	24 Simple
Negative	$N = 1$	BMI	2B	Plus	BPL	2A Simple
Overflow	$V = 1$	BVS	29	No Overflow	BVC	28 Simple
$r = 0$	$Z = 1$	BEQ	27	$r \neq 0$	BNE	26 Simple
Always	—	BRA	20	Never	BRN	21 Unconditional

BMI

Branch if Minus

BMI

Operation: $PC \leftarrow (PC) + \$0002 + Rel$ if $(N) = 1$

Description: Tests the state of the N bit in the CCR and causes a branch if N is set. See [BRA](#) instruction for further details of the execution of the branch.

**Condition Codes
and Boolean
Formulae:**

S	X	H	I	N	Z	V	C
—	—	—	—	—	—	—	—

None affected

Source Form: BMI (rel)

Addressing Modes, Machine Code, and Cycle-by-Cycle Execution:

Cycle	BMI (REL)		
	Addr	Data	R/W
1	OP	2B	1
2	OP + 1	rr	1
3	FFFF	—	1

The following table is a summary of all branch instructions.

Test	Boolean	Mnemonic	Opcode	Complementary	Branch	Comment	
$r > m$	$Z + (N \oplus V) = 0$	BGT	2E	$r \leq m$	BLE	2F	Signed
$r \geq m$	$N \oplus V = 0$	BGE	2C	$r < m$	BLT	2D	Signed
$r = m$	$Z = 1$	BEQ	27	$r \neq m$	BNE	26	Signed
$r \leq m$	$Z + (N \oplus V) = 1$	BLE	2F	$r > m$	BGT	2E	Signed
$r < m$	$N \oplus V = 1$	BLT	2D	$r \geq m$	BGE	2C	Signed
$r > m$	$C + Z = 0$	BHI	22	$r \leq m$	BLS	23	Unsigned
$r \geq m$	$C = 0$	BHS/BCC	24	$r < m$	BLO/BCS	25	Unsigned
$r = m$	$Z = 1$	BEQ	27	$r \neq m$	BNE	26	Unsigned
$r \leq m$	$C + Z = 1$	BLS	23	$r > m$	BHI	22	Unsigned
$r < m$	$C = 1$	BLO/BCS	25	$r \geq m$	BHS/BCC	24	Unsigned
Carry	$C = 1$	BCS	25	No Carry	BCC	24	Simple
Negative	$N = 1$	BMI	2B	Plus	BPL	2A	Simple
Overflow	$V = 1$	BVS	29	No Overflow	BVC	28	Simple
$r = 0$	$Z = 1$	BEQ	27	$r \neq 0$	BNE	26	Simple
Always	—	BRA	20	Never	BRN	21	Unconditional

BNE

Branch if Not Equal to Zero

BNE

Operation: $PC \leftarrow (PC) + \$0002 + Rel$ if $(Z) = 0$

Description: Tests the state of the Z bit in the CCR and causes a branch if Z is clear. See [BRA](#) instruction for further details of the execution of the branch.

**Condition Codes
and Boolean
Formulae:**

S	X	H	I	N	Z	V	C
—	—	—	—	—	—	—	—

None affected

Source Form: BNE (rel)

Addressing Modes, Machine Code, and Cycle-by-Cycle Execution:

Cycle	BNE (REL)		
	Addr	Data	R/W
1	OP	26	1
2	OP + 1	rr	1
3	FFFF	—	1

The following table is a summary of all branch instructions.

Test	Boolean	Mnemonic	Opcode	Complementary	Branch	Comment	
$r > m$	$Z + (N \oplus V) = 0$	BGT	2E	$r \leq m$	BLE	2F	Signed
$r \geq m$	$N \oplus V = 0$	BGE	2C	$r < m$	BLT	2D	Signed
$r = m$	$Z = 1$	BEQ	27	$r \neq m$	BNE	26	Signed
$r \leq m$	$Z + (N \oplus V) = 1$	BLE	2F	$r > m$	BGT	2E	Signed
$r < m$	$N \oplus V = 1$	BLT	2D	$r \geq m$	BGE	2C	Signed
$r > m$	$C + Z = 0$	BHI	22	$r \leq m$	BLS	23	Unsigned
$r \geq m$	$C = 0$	BHS/BCC	24	$r < m$	BLO/BCS	25	Unsigned
$r = m$	$Z = 1$	BEQ	27	$r \neq m$	BNE	26	Unsigned
$r \leq m$	$C + Z = 1$	BLS	23	$r > m$	BHI	22	Unsigned
$r < m$	$C = 1$	BLO/BCS	25	$r \geq m$	BHS/BCC	24	Unsigned
Carry	$C = 1$	BCS	25	No Carry	BCC	24	Simple
Negative	$N = 1$	BMI	2B	Plus	BPL	2A	Simple
Overflow	$V = 1$	BVS	29	No Overflow	BVC	28	Simple
$r = 0$	$Z = 1$	BEQ	27	$r \neq 0$	BNE	26	Simple
Always	—	BRA	20	Never	BRN	21	Unconditional

BPL

Branch if Plus

BPL

Operation: $PC \leftarrow (PC) + \$0002 + Rel$ if $(N) = 0$

Description: Tests the state of the N bit in the CCR and causes a branch if N is clear. See [BRA](#) instruction for further details of the execution of the branch.

**Condition Codes
and Boolean
Formulae:**

S	X	H	I	N	Z	V	C
—	—	—	—	—	—	—	—

None affected

Source Form: BPL (rel)

Addressing Modes, Machine Code, and Cycle-by-Cycle Execution:

Cycle	BPL (REL)		
	Addr	Data	R/W
1	OP	2A	1
2	OP + 1	rr	1
3	FFFF	—	1

The following table is a summary of all branch instructions.

Test	Boolean	Mnemonic	Opcode	Complementary	Branch	Comment
$r > m$	$Z + (N \oplus V) = 0$	BGT	2E	$r \leq m$	BLE	2F Signed
$r \geq m$	$N \oplus V = 0$	BGE	2C	$r < m$	BLT	2D Signed
$r = m$	$Z = 1$	BEQ	27	$r \neq m$	BNE	26 Signed
$r \leq m$	$Z + (N \oplus V) = 1$	BLE	2F	$r > m$	BGT	2E Signed
$r < m$	$N \oplus V = 1$	BLT	2D	$r \geq m$	BGE	2C Signed
$r > m$	$C + Z = 0$	BHI	22	$r \leq m$	BLS	23 Unsigned
$r \geq m$	$C = 0$	BHS/BCC	24	$r < m$	BLO/BCS	25 Unsigned
$r = m$	$Z = 1$	BEQ	27	$r \neq m$	BNE	26 Unsigned
$r \leq m$	$C + Z = 1$	BLS	23	$r > m$	BHI	22 Unsigned
$r < m$	$C = 1$	BLO/BCS	25	$r \geq m$	BHS/BCC	24 Unsigned
Carry	$C = 1$	BCS	25	No Carry	BCC	24 Simple
Negative	$N = 1$	BMI	2B	Plus	BPL	2A Simple
Overflow	$V = 1$	BVS	29	No Overflow	BVC	28 Simple
$r = 0$	$Z = 1$	BEQ	27	$r \neq 0$	BNE	26 Simple
Always	—	BRA	20	Never	BRN	21 Unconditional

BRA

Branch Always

BRA

Operation: $PC \leftarrow (PC) + \$0002 + Rel$

Description: Unconditional branch to the address given by the foregoing formula, in which Rel is the relative offset stored as a two's-complement number in the second byte of machine code corresponding to the branch instruction.

The source program specifies the destination of any branch instruction by its absolute address, either as a numerical value or as a symbol or expression, that can be numerically evaluated by the assembler. The assembler obtains the relative address, Rel, from the absolute address and the current value of the location counter.

Condition Codes and Boolean Formulae:

S	X	H	I	N	Z	V	C
—	—	—	—	—	—	—	—

None affected

Source Form: BRA (rel)

Addressing Modes, Machine Code, and Cycle-by-Cycle Execution:

Cycle	BRA (REL)		
	Addr	Data	R/W
1	OP	20	1
2	OP + 1	rr	1
3	FFFF	—	1

The following table is a summary of all branch instructions.

Test	Boolean	Mnemonic	Opcode	Complementary	Branch	Comment
$r > m$	$Z + (N \oplus V) = 0$	BGT	2E	$r \leq m$	BLE	2F Signed
$r \geq m$	$N \oplus V = 0$	BGE	2C	$r < m$	BLT	2D Signed
$r = m$	$Z = 1$	BEQ	27	$r \neq m$	BNE	26 Signed
$r \leq m$	$Z + (N \oplus V) = 1$	BLE	2F	$r > m$	BGT	2E Signed
$r < m$	$N \oplus V = 1$	BLT	2D	$r \geq m$	BGE	2C Signed
$r > m$	$C + Z = 0$	BHI	22	$r \leq m$	BLS	23 Unsigned
$r \geq m$	$C = 0$	BHS/BCC	24	$r < m$	BLO/BCS	25 Unsigned
$r = m$	$Z = 1$	BEQ	27	$r \neq m$	BNE	26 Unsigned
$r \leq m$	$C + Z = 1$	BLS	23	$r > m$	BHI	22 Unsigned
$r < m$	$C = 1$	BLO/BCS	25	$r \geq m$	BHS/BCC	24 Unsigned
Carry	$C = 1$	BCS	25	No Carry	BCC	24 Simple
Negative	$N = 1$	BMI	2B	Plus	BPL	2A Simple
Overflow	$V = 1$	BVS	29	No Overflow	BVC	28 Simple
$r = 0$	$Z = 1$	BEQ	27	$r \neq 0$	BNE	26 Simple
Always	—	BRA	20	Never	BRN	21 Unconditional

BRCLR

Branch if Bit(s) Clear

BRCLR

Operation: $PC \leftarrow (PC) + \$0004 + Rel$ if $(M) \cdot (PC + 2) = 0$
 $PC \leftarrow (PC) + \$0005 + Rel$ if $(M) \cdot (PC + 3) = 0$
 (for IND,Y address mode only)

Description: Performs the logical AND of location M and the mask supplied with the instruction, then branches if the result is 0 (only if all bits corresponding to 1s in the mask byte are 0s in the tested byte).

**Condition Codes
and Boolean
Formulae:**

S	X	H	I	N	Z	V	C
—	—	—	—	—	—	—	—

None affected

Source Form: BRCLR (opr) (msk) (rel)

Addressing Modes, Machine Code, and Cycle-by-Cycle Execution:

Cycle	BRCLR (DIR)			BRCLR (IND,X)			BRCLR (IND,Y)		
	Addr	Data	R/W	Addr	Data	R/W	Addr	Data	R/W
1	OP	13	1	OP	1F	1	OP	18	1
2	OP + 1	dd	1	OP + 1	ff	1	OP + 1	1F	1
3	00dd	(00dd)	1	FFFF	—	1	OP + 2	ff	1
4	OP + 2	mm	1	X + ff	(X + ff)	1	FFFF	—	1
5	OP + 3	rr	1	OP + 2	mm	1	(IY) + ff	(Y + ff)	1
6	FFFF	—	1	OP + 3	rr	1	OP + 3	mm	1
7				FFFF	—	1	OP + 4	rr	1
8							FFFF	—	1

BRN

Branch Never

BRN

Operation: $PC \leftarrow (PC) + \$0002$

Description: Never branches. In effect, this instruction can be considered as a 2-byte NOP (no operation) requiring three cycles for execution. Its inclusion in the instruction set is to provide a complement for the BRA instruction. This instruction is useful during program debug to negate the effect of another branch instruction without disturbing the offset byte. Having a complement for BRA is also useful in compiler implementations.

**Condition Codes
and Boolean
Formulae:**

S	X	H	I	N	Z	V	C
—	—	—	—	—	—	—	—

None affected

Source Form: BRN (rel)

Addressing Modes, Machine Code, and Cycle-by-Cycle Execution:

Cycle	BRN (REL)		
	Addr	Data	R/W
1	OP	21	1
2	OP + 1	rr	1
3	FFFF	—	1

The following table is a summary of all branch instructions.

Test	Boolean	Mnemonic	Opcode	Complementary	Branch	Comment	
$r > m$	$Z + (N \oplus V) = 0$	BGT	2E	$r \leq m$	BLE	2F	Signed
$r \geq m$	$N \oplus V = 0$	BGE	2C	$r < m$	BLT	2D	Signed
$r = m$	$Z = 1$	BEQ	27	$r \neq m$	BNE	26	Signed
$r \leq m$	$Z + (N \oplus V) = 1$	BLE	2F	$r > m$	BGT	2E	Signed
$r < m$	$N \oplus V = 1$	BLT	2D	$r \geq m$	BGE	2C	Signed
$r > m$	$C + Z = 0$	BHI	22	$r \leq m$	BLS	23	Unsigned
$r \geq m$	$C = 0$	BHS/BCC	24	$r < m$	BLO/BCS	25	Unsigned
$r = m$	$Z = 1$	BEQ	27	$r \neq m$	BNE	26	Unsigned
$r \leq m$	$C + Z = 1$	BLS	23	$r > m$	BHI	22	Unsigned
$r < m$	$C = 1$	BLO/BCS	25	$r \geq m$	BHS/BCC	24	Unsigned
Carry	$C = 1$	BCS	25	No Carry	BCC	24	Simple
Negative	$N = 1$	BMI	2B	Plus	BPL	2A	Simple
Overflow	$V = 1$	BVS	29	No Overflow	BVC	28	Simple
$r = 0$	$Z = 1$	BEQ	27	$r \neq 0$	BNE	26	Simple
Always	—	BRA	20	Never	BRN	21	Unconditional

BRSET

Branch if Bit(s) Set

BRSET

Operation: $PC \leftarrow (PC) + \$0004 + \text{Rel}$ if $(\overline{M}) \cdot (PC + 2) = 0$
 $PC \leftarrow (PC) + \$0005 + \text{Rel}$ if $(\overline{M}) \cdot (PC + 3) = 0$ (for IND,Y
address mode only)

Description: Performs the logical AND of location M and the mask supplied with the instruction, then branches if the result is 0 (only if all bits corresponding to 1s in the mask byte are 1s in the tested byte).

**Condition Codes
and Boolean
Formulae:**

S	X	H	I	N	Z	V	C
—	—	—	—	—	—	—	—

None affected

Source Form: BRSET (opr) (msk) (rel)

Addressing Modes, Machine Code, and Cycle-by-Cycle Execution:

Cycle	BRSET (DIR)			BRSET (IND,X)			BRSET (IND,Y)		
	Addr	Data	R/W	Addr	Data	R/W	Addr	Data	R/W
1	OP	12	1	OP	1E	1	OP	18	1
2	OP + 1	dd	1	OP + 1	ff	1	OP + 1	1E	1
3	00dd	(00dd)	1	FFFF	—	1	OP + 2	ff	1
4	OP + 2	mm	1	X + ff	(X + ff)	1	FFFF	—	1
5	OP + 3	rr	1	OP + 2	mm	1	(IY) + ff	(Y + ff)	1
6	FFFF	—	1	OP + 3	rr	1	OP + 3	mm	1
7				FFFF	—	1	OP + 4	rr	1
8							FFFF	—	1

BSET

Set Bit(s) in Memory

BSET

Operation: $M \leftarrow (M) + (PC + 2)$
 $M \leftarrow (M) + (PC + 3)$ (for IND,Y address mode only)

Description: Set multiple bits in location M. The bit(s) to be set are specified by 1s in the mask byte (last machine code byte of the instruction). All other bits in M are unaffected.

Condition Codes and Boolean Formulae:

S	X	H	I	N	Z	V	C
—	—	—	—	↕	↕	0	—

N R7
 Set if MSB of result is set; cleared otherwise.

Z $\overline{R7} \cdot \overline{R6} \cdot \overline{R5} \cdot \overline{R4} \cdot \overline{R3} \cdot \overline{R2} \cdot \overline{R1} \cdot \overline{R0}$
 Set if result is \$00; cleared otherwise.

V 0
 Cleared

Source Form: BSET (opr) (msk)

Addressing Modes, Machine Code, and Cycle-by-Cycle Execution:

Cycle	BSET (DIR)			BSET (IND,X)			BSET (IND,Y)		
	Addr	Data	R/W	Addr	Data	R/W	Addr	Data	R/W
1	OP	14	1	OP	1C	1	OP	18	1
2	OP + 1	dd	1	OP + 1	ff	1	OP + 1	1C	1
3	00dd	(00dd)	1	FFFF	—	1	OP + 2	ff	1
4	OP + 2	mm	1	X + ff	(X + ff)	1	FFFF	—	1
5	FFFF	—	1	OP + 2	mm	1	(IY) + ff	(Y + ff)	1
6	00dd	result	0	FFFF	—	1	OP + 3	mm	1
7				X + ff	result	0	FFFF	—	1
8							Y + ff	result	0

BSR

Branch to Subroutine

BSR

Operation: $PC \leftarrow (PC) + \$0002$ Advance PC to return address
 \Downarrow (PCL) Push low-order return onto stack
 $SP \leftarrow (SP) - \$0001$
 \Downarrow (PCH) Push high-order return onto stack
 $SP \leftarrow (SP) - \$0001$
 $PC \leftarrow (PC) + Rel$ Load start address of requested subroutine

Description: The program counter is incremented by two (this will be the return address). The least significant byte of the contents of the program counter (low-order return address) is pushed onto the stack. The stack pointer is then decremented by one. The most significant byte of the contents of the program counter (high-order return address) is pushed onto the stack. The stack pointer is then decremented by one. A branch then occurs to the location specified by the branch offset.

See [BRA](#) instruction for further details of the execution of the branch.

**Condition Codes
and Boolean
Formulae:**

S	X	H	I	N	Z	V	C
—	—	—	—	—	—	—	—

None affected

Source Form: BSR (rel)

Addressing Modes, Machine Code, and Cycle-by-Cycle Execution:

Cycle	BSR (REL)		
	Addr	Data	R/W
1	OP	8D	1
2	OP + 1	rr	1
3	FFFF	—	1
4	Sub	Nxt op	1
5	SP	Rtn lo	0
6	SP-1	Rtn hi	0

BVC

Branch if Overflow Clear

BVC

Operation: $PC \leftarrow (PC) + \$0002 + Rel$ if $(V) = 0$

Description: Tests the state of the V bit in the CCR and causes a branch if V is clear. Used after an operation on twos-complement binary values, this instruction will cause a branch if there was NO overflow. That is, branch if the twos-complement result was valid.

See [BRA](#) instruction for further details of the execution of the branch.

Condition Codes and Boolean Formulae:

S	X	H	I	N	Z	V	C
—	—	—	—	—	—	—	—

None affected

Source Form: BVC (rel)

Addressing Modes, Machine Code, and Cycle-by-Cycle Execution:

Cycle	BVC (REL)		
	Addr	Data	R/W
1	OP	28	1
2	OP + 1	rr	1
3	FFFF	—	1

The following table is a summary of all branch instructions.

Test	Boolean	Mnemonic	Opcode	Complementary	Branch	Comment
$r > m$	$Z + (N \oplus V) = 0$	BGT	2E	$r \leq m$	BLE	2F Signed
$r \geq m$	$N \oplus V = 0$	BGE	2C	$r < m$	BLT	2D Signed
$r = m$	$Z = 1$	BEQ	27	$r \neq m$	BNE	26 Signed
$r \leq m$	$Z + (N \oplus V) = 1$	BLE	2F	$r > m$	BGT	2E Signed
$r < m$	$N \oplus V = 1$	BLT	2D	$r \geq m$	BGE	2C Signed
$r > m$	$C + Z = 0$	BHI	22	$r \leq m$	BLS	23 Unsigned
$r \geq m$	$C = 0$	BHS/BCC	24	$r < m$	BLO/BCS	25 Unsigned
$r = m$	$Z = 1$	BEQ	27	$r \neq m$	BNE	26 Unsigned
$r \leq m$	$C + Z = 1$	BLS	23	$r > m$	BHI	22 Unsigned
$r < m$	$C = 1$	BLO/BCS	25	$r \geq m$	BHS/BCC	24 Unsigned
Carry	$C = 1$	BCS	25	No Carry	BCC	24 Simple
Negative	$N = 1$	BMI	2B	Plus	BPL	2A Simple
Overflow	$V = 1$	BVS	29	No Overflow	BVC	28 Simple
$r = 0$	$Z = 1$	BEQ	27	$r \neq 0$	BNE	26 Simple
Always	—	BRA	20	Never	BRN	21 Unconditional

BVS

Branch if Overflow Set

BVS

Operation: $PC \leftarrow (PC) + \$0002 + Rel$ if $(V) = 1$

Description: Tests the state of the V bit in the CCR and causes a branch if V is set. Used after an operation on twos-complement binary values, this instruction will cause a branch if there was an overflow. That is, branch if the twos-complement result was invalid.

See [BRA](#) instruction for further details of the execution of the branch.

Condition Codes and Boolean Formulae:

S	X	H	I	N	Z	V	C
—	—	—	—	—	—	—	—

None affected

Source Form: BVS (rel)

Addressing Modes, Machine Code, and Cycle-by-Cycle Execution:

Cycle	BVS (REL)		
	Addr	Data	R/W
1	OP	29	1
2	OP + 1	rr	1
3	FFFF	—	1

The following table is a summary of all branch instructions.

Test	Boolean	Mnemonic	Opcode	Complementary	Branch	Comment
$r > m$	$Z + (N \oplus V) = 0$	BGT	2E	$r \leq m$	BLE	2F Signed
$r \geq m$	$N \oplus V = 0$	BGE	2C	$r < m$	BLT	2D Signed
$r = m$	$Z = 1$	BEQ	27	$r \neq m$	BNE	26 Signed
$r \leq m$	$Z + (N \oplus V) = 1$	BLE	2F	$r > m$	BGT	2E Signed
$r < m$	$N \oplus V = 1$	BLT	2D	$r \geq m$	BGE	2C Signed
$r > m$	$C + Z = 0$	BHI	22	$r \leq m$	BLS	23 Unsigned
$r \geq m$	$C = 0$	BHS/BCC	24	$r < m$	BLO/BCS	25 Unsigned
$r = m$	$Z = 1$	BEQ	27	$r \neq m$	BNE	26 Unsigned
$r \leq m$	$C + Z = 1$	BLS	23	$r > m$	BHI	22 Unsigned
$r < m$	$C = 1$	BLO/BCS	25	$r \geq m$	BHS/BCC	24 Unsigned
Carry	$C = 1$	BCS	25	No Carry	BCC	24 Simple
Negative	$N = 1$	BMI	2B	Plus	BPL	2A Simple
Overflow	$V = 1$	BVS	29	No Overflow	BVC	28 Simple
$r = 0$	$Z = 1$	BEQ	27	$r \neq 0$	BNE	26 Simple
Always	—	BRA	20	Never	BRN	21 Unconditional

CBA

Compare Accumulators

CBA

Operation: (ACCA) – (ACCB)

Description: Compares the contents of ACCA to the contents of ACCB and sets the condition codes, which may be used for arithmetic and logical conditional branches. Both operands are unaffected.

**Condition Codes
and Boolean
Formulae:**

S	X	H	I	N	Z	V	C
—	—	—	—	⇕	⇕	⇕	⇕

N R7

Set if MSB of result is set; cleared otherwise.

Z $\overline{R7} \cdot \overline{R6} \cdot \overline{R5} \cdot \overline{R4} \cdot \overline{R3} \cdot \overline{R2} \cdot \overline{R1} \cdot \overline{R0}$

Set if result is \$00; cleared otherwise.

V $A7 \cdot \overline{B7} \cdot \overline{R7} + \overline{A7} \cdot B7 \cdot R7$

Set if a twos complement overflow resulted from the operation; cleared otherwise.

C $\overline{A7} \cdot B7 + B7 \cdot R7 + R7 \cdot \overline{A7}$

Set if there was a borrow from the MSB of the result; cleared otherwise.

Source Form: CBA

Addressing Modes, Machine Code, and Cycle-by-Cycle Execution:

Cycle	CBA (INH)		
	Addr	Data	R/W
1	OP	11	1
2	OP + 1	—	1

CLC

Clear Carry

CLC

Operation: C bit \leftarrow 0

Description: Clears the C bit in the CCR.

CLC may be used to set up the C bit prior to a shift or rotate instruction involving the C bit.

**Condition Codes
and Boolean
Formulae:**

S	X	H	I	N	Z	V	C
—	—	—	—	—	—	—	0

C 0
Cleared

Source Form: CLC

Addressing Modes, Machine Code, and Cycle-by-Cycle Execution:

Cycle	CLC (INH)		
	Addr	Data	R/W
1	OP	0C	1
2	OP + 1	—	1

CLI

Clear Interrupt Mask

CLI

Operation: I bit \leftarrow 0

Description: Clears the interrupt mask bit in the CCR. When the I bit is clear, interrupts are enabled. There is one E-clock cycle delay in the clearing mechanism for the I bit so that, if interrupts were previously disabled, the next instruction after a CLI will always be executed, even if there was an interrupt pending prior to execution of the CLI instruction.

Condition Codes and Boolean Formulae:

S	X	H	I	N	Z	V	C
—	—	—	0	—	—	—	—

I 0
Cleared

Source Form: CLI

Addressing Modes, Machine Code, and Cycle-by-Cycle Execution:

Cycle	CLI (INH)		
	Addr	Data	R/W
1	OP	0E	1
2	OP + 1	—	1

CLR

Clear

CLR

Operation: $ACCX \leftarrow 0$ **or:** $M \leftarrow 0$

Description: The contents of ACCX or M are replaced with 0s.

**Condition Codes
and Boolean
Formulae:**

S	X	H	I	N	Z	V	C
—	—	—	—	0	1	0	0

N 0
Cleared

Z 1
Set

V 0
Cleared

C 0
Cleared

Source Forms: CLRA; CLRB; CLR (opr)

Addressing Modes, Machine Code, and Cycle-by-Cycle Execution:

Cycle	CLRA (INH)			CLRB (INH)			CLR (EXT)			CLR (IND,X)			CLR (IND,Y)		
	Addr	Data	R/W	Addr	Data	R/W	Addr	Data	R/W	Addr	Data	R/W	Addr	Data	R/W
1	OP	4F	1	OP	5F	1	OP	7F	1	OP	6F	1	OP	18	1
2	OP + 1	—	1	OP + 1	—	1	OP + 1	hh	1	OP + 1	ff	1	OP + 1	6F	1
3							OP + 2	ll	1	FFFF	—	1	OP + 2	ff	1
4							hhl	(hhl)	1	X + ff	(X + ff)	1	FFFF	—	1
5							FFFF	—	1	FFFF	—	1	Y + ff	(Y + ff)	1
6							hhl	00	0	X + ff	00	0	FFFF	—	1
7													Y + ff	00	0

CLV

Clear Twos Complement Overflow Bit

CLV

Operation: V bit \Leftarrow 0

Description: Clears the twos complement overflow bit in the CCR

**Condition Codes
and Boolean
Formulae:**

S	X	H	I	N	Z	V	C
—	—	—	—	—	—	0	—

V 0
Cleared

Source Form: CLV

Addressing Modes, Machine Code, and Cycle-by-Cycle Execution:

Cycle	CLV (INH)		
	Addr	Data	R/W
1	OP	0A	1
2	OP + 1	—	1

CMP

Compare

CMP

Operation: (ACCX) – (M)

Description: Compares the contents of ACCX to the contents of M and sets the condition codes, which may be used for arithmetic and logical conditional branching. Both operands are unaffected.

Condition Codes and Boolean Formulae:

S	X	H	I	N	Z	V	C
—	—	—	—	⇕	⇕	⇕	⇕

N R7

Set if MSB of result is set; cleared otherwise.

Z $\overline{R7} \cdot \overline{R6} \cdot \overline{R5} \cdot \overline{R4} \cdot \overline{R3} \cdot \overline{R2} \cdot \overline{R1} \cdot \overline{R0}$

Set if result is \$00; cleared otherwise.

V $X7 \cdot \overline{M7} \cdot \overline{R7} + \overline{X7} \cdot M7 \cdot R7$

Set if a twos complement overflow resulted from the operation; cleared otherwise.

C $\overline{X7} \cdot M7 + M7 \cdot R7 + R7 \cdot \overline{X7}$

Set if there was a borrow from the MSB of the result; cleared otherwise.

Source Forms: CMPA (opr); CMPB (opr)

Addressing Modes, Machine Code, and Cycle-by-Cycle Execution:

Cycle	CMPA (IMM)			CMPA (DIR)			CMPA (EXT)			CMPA (IND,X)			CMPA (IND,Y)		
	Addr	Data	R/W	Addr	Data	R/W	Addr	Data	R/W	Addr	Data	R/W	Addr	Data	R/W
1	OP	81	1	OP	91	1	OP	B1	1	OP	A1	1	OP	18	1
2	OP + 1	ii	1	OP + 1	dd	1	OP + 1	hh	1	OP + 1	ff	1	OP + 1	A1	1
3				00dd	(00dd)	1	OP + 2	ll	1	FFFF	—	1	OP + 2	ff	1
4							hhll	(hhll)	1	X + ff	(X + ff)	1	FFFF	—	1
5										Y + ff	(Y + ff)	1	Y + ff	(Y + ff)	1

Cycle	CMPB (IMM)			CMPB (DIR)			CMPB (EXT)			CMPB (IND,X)			CMPB (IND,Y)		
	Addr	Data	R/W	Addr	Data	R/W	Addr	Data	R/W	Addr	Data	R/W	Addr	Data	R/W
1	OP	C1	1	OP	D1	1	OP	F1	1	OP	E1	1	OP	18	1
2	OP + 1	ii	1	OP + 1	dd	1	OP + 1	hh	1	OP + 1	ff	1	OP + 1	E1	1
3				00dd	(00dd)	1	OP + 2	ll	1	FFFF	—	1	OP + 2	ff	1
4							hhll	(hhll)	1	X + ff	(X + ff)	1	FFFF	—	1
5										Y + ff	(Y + ff)	1	Y + ff	(Y + ff)	1

COM

Complement

COM

Operation: $ACCX \leftarrow \overline{(ACCX)} = \$FF - (ACCX)$ or: $M \leftarrow \overline{(M)} = \$FF - (M)$

Description: Replaces the contents of ACCX or M with its one's complement. (Each bit of the contents of ACCX or M is replaced with the complement of that bit.) To complement a value without affecting the C bit, EXclusive-OR the value with \$FF.

**Condition Codes
and Boolean
Formulae:**

S	X	H	I	N	Z	V	C
—	—	—	—	↕	↕	0	1

N R7

Set if MSB of result is set; cleared otherwise.

Z $\overline{R7} \cdot \overline{R6} \cdot \overline{R5} \cdot \overline{R4} \cdot \overline{R3} \cdot \overline{R2} \cdot \overline{R1} \cdot \overline{R0}$

Set if result is \$00; cleared otherwise.

V 0

Cleared

C 1

Set (For compatibility with M6800)

Source Forms: COMA; COMB; COM (opr)

Addressing Modes, Machine Code, and Cycle-by-Cycle Execution:

Cycle	COMA (INH)			COMB (INH)			COM (EXT)			COM (IND,X)			COM (IND,Y)		
	Addr	Data	R/W	Addr	Data	R/W	Addr	Data	R/W	Addr	Data	R/W	Addr	Data	R/W
1	OP	43	1	OP	53	1	OP	73	1	OP	63	1	OP	18	1
2	OP+1	—	1	OP+1	—	1	OP+1	hh	1	OP+1	ff	1	OP+1	63	1
3							OP+2	ll	1	FFFF	—	1	OP+2	ff	1
4							hhll	(hhll)	1	X+ff	(X+ff)	1	FFFF	—	1
5							FFFF	—	1	FFFF	—	1	Y+ff	(Y+ff)	1
6							hhll	result	0	X+ff	result	0	FFFF	—	1
7													Y+ff	result	0

CPD

Compare Double Accumulator

CPD

Operation: (ACCD) – (M : M + 1)

Description: Compares the contents of accumulator D with a 16-bit value at the address specified and sets the condition codes accordingly. The compare is accomplished internally by doing a 16-bit subtract of (M : M + 1) from accumulator D without modifying either accumulator D or (M : M + 1).

Condition Codes and Boolean Formulae:

S	X	H	I	N	Z	V	C
—	—	—	—	↕	↕	↕	↕

N R15

Set if MSB of result is set; cleared otherwise.

Z $\overline{R15} \cdot \overline{R14} \cdot \overline{R13} \cdot \overline{R12} \cdot \overline{R11} \cdot \overline{R10} \cdot \overline{R9} \cdot \overline{R8} \cdot \overline{R7} \cdot \overline{R6} \cdot \overline{R5} \cdot \overline{R4} \cdot \overline{R3} \cdot \overline{R2} \cdot \overline{R1} \cdot \overline{R0}$

Set if result is \$0000; cleared otherwise.

V $D15 \cdot \overline{M15} \cdot \overline{R15} + \overline{D15} \cdot M15 \cdot R15$

Set if a twos complement overflow resulted from the operation; cleared otherwise.

C $\overline{D15} \cdot M15 + M15 \cdot R15 + R15 \cdot \overline{D15}$

Set if the absolute value of the contents of memory is larger than the absolute value of the accumulator; cleared otherwise.

Source Form: CPD (opr)

Addressing Modes, Machine Code, and Cycle-by-Cycle Execution:

Cycle	CPD (IMM)			CPD (DIR)			CPD (EXT)			CPD (IND,X)			CPD (IND,Y)		
	Addr	Data	R/W	Addr	Data	R/W	Addr	Data	R/W	Addr	Data	R/W	Addr	Data	R/W
1	OP	1A	1	OP	1A	1	OP	1A	1	OP	1A	1	OP	CD	1
2	OP + 1	83	1	OP + 1	93	1	OP + 1	B3	1	OP + 1	A3	1	OP + 1	A3	1
3	OP + 2	jj	1	OP + 2	dd	1	OP + 2	hh	1	OP + 2	ff	1	OP + 2	ff	1
4	OP + 3	kk	1	00dd	(00dd)	1	OP + 3	ll	1	FFFF	—	1	FFFF	—	1
5	FFFF	—	1	00dd + 1	(00dd + 1)	1	hhll	(nhll)	1	X + ff	(X + ff)	1	Y + ff	(Y + ff)	1
6				FFFF	—	1	hhll + 1	(nhll + 1)	1	X + ff + 1	(X + ff + 1)	1	Y + ff + 1	(Y + ff + 1)	1
7							FFFF	—	1	FFFF	—	1	FFFF	—	1

CPX

Compare Index Register X

CPX

Operation: $(IX) - (M : M + 1)$

Description: Compares the contents of index register X with a 16-bit value at the address specified and sets the condition codes accordingly. The compare is accomplished internally by doing a 16-bit subtract of $(M : M + 1)$ from index register X without modifying either index register X or $(M : M + 1)$.

Condition Codes and Boolean Formulae:

S	X	H	I	N	Z	V	C
—	—	—	—	↕	↕	↕	↕

N R15

Set if MSB of result is set; cleared otherwise.

Z $\overline{R15} \cdot \overline{R14} \cdot \overline{R13} \cdot \overline{R12} \cdot \overline{R11} \cdot \overline{R10} \cdot \overline{R9} \cdot \overline{R8} \cdot \overline{R7} \cdot \overline{R6} \cdot \overline{R5} \cdot \overline{R4} \cdot \overline{R3} \cdot \overline{R2} \cdot \overline{R1} \cdot \overline{R0}$

Set if result is \$0000; cleared otherwise.

V $IX15 \cdot M15 \cdot R15 + \overline{IX15} \cdot \overline{M15} \cdot \overline{R15}$

Set if a twos complement overflow resulted from the operation; cleared otherwise.

C $\overline{IX15} \cdot M15 + M15 \cdot \overline{R15} + R15 \cdot \overline{IX15}$

Set if the absolute value of the contents of memory is larger than the absolute value of the index register; cleared otherwise.

Source Form: CPX (opr)

Addressing Modes, Machine Code, and Cycle-by-Cycle Execution:

Cycle	CPX (IMM)			CPX (DIR)			CPX (EXT)			CPX (IND,X)			CPX (IND,Y)		
	Addr	Data	R/W	Addr	Data	R/W	Addr	Data	R/W	Addr	Data	R/W	Addr	Data	R/W
1	OP	8C	1	OP	9C	1	OP	BC	1	OP	AC	1	OP	CD	1
2	OP + 1	jj	1	OP + 1	dd	1	OP + 1	hh	1	OP + 1	ff	1	OP + 1	AC	1
3	OP + 2	kk	1	00dd	(00dd)	1	OP + 2	ll	1	FFFF	—	1	OP + 2	ff	1
4	FFFF	—	1	00dd + 1	(00dd + 1)	1	hhll	(hhll)	1	X + ff	(X + ff)	1	FFFF	—	1
5				FFFF	—	1	hhll + 1	(hhll + 1)	1	X + ff + 1	(X + ff + 1)	1	Y + ff	(Y + ff)	1
6							FFFF	—	1	FFFF	—	1	Y + ff + 1	(Y + ff + 1)	1
7													FFFF	—	1

CPY

Compare Index Register Y

CPY

Operation: $(IY) - (M : M + 1)$

Description: Compares the contents of index register Y with a 16-bit value at the address specified and sets the condition codes accordingly. The compare is accomplished internally by doing a 16-bit subtract of $(M : M + 1)$ from index register Y without modifying either index register Y or $(M : M + 1)$.

Condition Codes and Boolean Formulae:

S	X	H	I	N	Z	V	C
—	—	—	—	↕	↕	↕	↕

N R15

Set if MSB of result is set; cleared otherwise.

Z $\overline{R15} \cdot \overline{R14} \cdot \overline{R13} \cdot \overline{R12} \cdot \overline{R11} \cdot \overline{R10} \cdot \overline{R9} \cdot \overline{R8} \cdot \overline{R7} \cdot \overline{R6} \cdot \overline{R5} \cdot \overline{R4} \cdot \overline{R3} \cdot \overline{R2} \cdot \overline{R1} \cdot \overline{R0}$

Set if result is \$0000; cleared otherwise.

V $IY15 \cdot \overline{M15} \cdot \overline{R15} + \overline{IY15} \cdot M15 \cdot R15$

Set if a twos complement overflow resulted from the operation; cleared otherwise.

C $\overline{IY15} \cdot M15 + M15 \cdot R15 + R15 \cdot \overline{IY15}$

Set if the absolute value of the contents of memory is larger than the absolute value of the index register; cleared otherwise.

Source Form: CPY (opr)

Addressing Modes, Machine Code, and Cycle-by-Cycle Execution:

Cycle	CPY (IMM)			CPY (DIR)			CPY (EXT)			CPY (IND,X)			CPY (IND,Y)		
	Addr	Data	R/W	Addr	Data	R/W	Addr	Data	R/W	Addr	Data	R/W	Addr	Data	R/W
1	OP	18	1	OP	18	1	OP	18	1	OP	1A	1	OP	18	1
2	OP + 1	8C	1	OP + 1	9C	1	OP + 1	BC	1	OP + 1	AC	1	OP + 1	AC	1
3	OP + 2	jj	1	OP + 2	dd	1	OP + 2	hh	1	OP + 2	ff	1	OP + 2	ff	1
4	OP + 3	kk	1	00dd	(00dd)	1	OP + 3	ll	1	FFFF	—	1	FFFF	—	1
5	FFFF	—	1	00dd + 1	(00dd + 1)	1	hhll	(nhll)	1	X + ff	(X + ff)	1	Y + ff	(Y + ff)	1
6				FFFF	—	1	hhll + 1	(nhll + 1)	1	X + ff + 1	(X + ff + 1)	1	Y + ff + 1	(Y + ff + 1)	1
7							FFFF	—	1	FFFF	—	1	FFFF	—	1

DAA

Decimal Adjust Accumulator A

DAA

Operation: The following table summarizes the operation of the DAA instruction for all legal combinations of input operands. A correction factor (column 5 in the following table) is added to ACCA to restore the result of an addition of two BCD operands to a valid BCD value and set or clear the carry bit.

State of C Bit Before DAA (Column 1)	Upper Half-Byte of ACCA (Bits [7:4]) (Column 2)	Initial Half-Carry H Bit from CCR (Column 3)	Lower Half-Byte of ACCA (Bits [3:0]) (Column 4)	Number Added to ACCA by DAA (Column 5)	State of C Bit After DAA (Column 6)
0	0-9	0	0-9	00	0
0	0-8	0	A-F	06	0
0	0-9	1	0-3	06	0
0	A-F	0	0-9	60	1
0	9-F	0	A-F	66	1
0	A-F	1	0-3	66	1
1	0-2	0	0-9	60	1
1	0-2	0	A-F	66	1
1	0-3	1	0-3	66	1

NOTE: Columns (1) through (4) of the above table represent all possible cases which can result from any of the operations ABA, ADD, or ADC, with initial carry either set or clear, applied to two binary-coded-decimal operands. The table shows hexadecimal values.

Description: If the contents of ACCA and the state of the carry/borrow bit C and the state of the half-carry bit H are all the result of applying any of the operations ABA, ADD, or ADC to binary-coded-decimal operands, with or without an initial carry, the DAA operation will adjust the contents of ACCA and the carry bit C in the CCR to represent the correct binary-coded-decimal sum and the correct state of the C bit.

DAA

Decimal Adjust Accumulator A (Continued)

DAA

**Condition Codes
and Boolean
Formulae:**

S	X	H	I	N	Z	V	C
—	—	—	—	↕	↕	?	↕

N R7

Set if MSB of result is set; cleared otherwise.

Z $\overline{R7} \cdot \overline{R6} \cdot \overline{R5} \cdot \overline{R4} \cdot \overline{R3} \cdot \overline{R2} \cdot \overline{R1} \cdot \overline{R0}$

Set if result is \$00; cleared otherwise.

V ?

Not defined

C See table above

Source Form: DAA

Addressing Modes, Machine Code, and Cycle-by-Cycle Execution:

Cycle	DAA (INH)		
	Addr	Data	R/W
1	OP	19	1
2	OP + 1	—	1

For the purpose of illustration, consider the case where the BCD value \$99 was just added to the BCD value \$22. The add instruction is a binary operation, which yields the result \$BB with no carry (C) or half carry (H). This corresponds to the fifth row of the table on the previous page. The DAA instruction, therefore, will add the correction factor \$66 to the result of the addition, giving a result of \$21 with the carry bit set. This result corresponds to the BCD value \$121, which is the expected BCD result.

DEC

Decrement

DEC

Operation: $ACCX \leftarrow (ACCX) - \01 or: $M \leftarrow (M) - \$01$

Description: Subtract one from the contents of ACCX or M.

The N, Z, and V bits in the CCR are set or cleared according to the results of the operation. The C bit in the CCR is not affected by the operation, thus allowing the DEC instruction to be used as a loop counter in multiple-precision computations.

When operating on unsigned values, only BEQ and BNE branches can be expected to perform consistently. When operating on twos complement values, all signed branches are available.

Condition Codes and Boolean Formulae:

S	X	H	I	N	Z	V	C
—	—	—	—	↕	↕	↕	—

N R7

Set if MSB of result is set; cleared otherwise.

Z $\overline{R7} \cdot \overline{R6} \cdot \overline{R5} \cdot \overline{R4} \cdot \overline{R3} \cdot \overline{R2} \cdot \overline{R1} \cdot \overline{R0}$

Set if result is \$00; cleared otherwise.

V $X7 \cdot \overline{X6} \cdot \overline{X5} \cdot \overline{X4} \cdot X3 \cdot \overline{X2} \cdot \overline{X1} \cdot \overline{X0} = \overline{R7} \cdot R6 \cdot R5 \cdot R4 \cdot R3 \cdot R2 \cdot R1 \cdot R0$

Set if a twos complement overflow resulted from the operation; cleared otherwise. Twos complement overflow occurs if and only if (ACCX) or (M) was \$80 before the operation.

Source Form: DECA; DECB; DEC (opr)

Addressing Modes, Machine Code, and Cycle-by-Cycle Execution:

Cycle	DECA (INH)			DECB (INH)			DEC (EXT)			DEC (IND,X)			DEC (IND,Y)		
	Addr	Data	R/W	Addr	Data	R/W	Addr	Data	R/W	Addr	Data	R/W	Addr	Data	R/W
1	OP	4A	1	OP	5A	1	OP	7A	1	OP	6A	1	OP	18	1
2	OP + 1	—	1	OP + 1	—	1	OP + 1	hh	1	OP + 1	ff	1	OP + 1	6A	1
3							OP + 2	ll	1	FFFF	—	1	OP + 2	ff	1
4							hhll	(hhll)	1	X + ff	(X + ff)	1	FFFF	—	1
5							FFFF	—	1	FFFF	—	1	Y + ff	(Y + ff)	1
6							hhll	result	0	X + ff	result	0	FFFF	—	1
7										X + ff	result	0	Y + ff	result	0

DES

Decrement Stack Pointer

DES

Operation: $SP \leftarrow (SP) - \$0001$

Description: Subtract one from the stack pointer.

**Condition Codes
and Boolean
Formulae:**

S	X	H	I	N	Z	V	C
—	—	—	—	—	—	—	—

None affected

Source Form: DES

Addressing Modes, Machine Code, and Cycle-by-Cycle Execution:

Cycle	DES (INH)		
	Addr	Data	R/W
1	OP	34	1
2	OP + 1	—	1
3	SP	—	1

DEX

Decrement Index Register X

DEX

Operation: $IX \leftarrow (IX) - \$0001$

Description: Subtract one from index register X

Only the Z bit is set or cleared according to the result of this operation.

**Condition Codes
and Boolean
Formulae:**

S	X	H	I	N	Z	V	C
—	—	—	—	—	↕	—	—

$$Z \quad \overline{R15} \cdot \overline{R14} \cdot \overline{R13} \cdot \overline{R12} \cdot \overline{R11} \cdot \overline{R10} \cdot \overline{R9} \cdot \overline{R8} \cdot \overline{R7} \cdot \overline{R6} \cdot \overline{R5} \cdot \overline{R4} \cdot \overline{R3} \cdot \overline{R2} \cdot \overline{R1} \cdot \overline{R0}$$

Set if result is \$0000; cleared otherwise.

Source Form: DEX

Addressing Modes, Machine Code, and Cycle-by-Cycle Execution:

Cycle	DEX (INH)		
	Addr	Data	R/W
1	OP	09	1
2	OP + 1	—	1
3	FFFF	—	1

DEY

Decrement Index Register Y

DEY

Operation: $IY \leftarrow (IY) - \$0001$

Description: Subtract one from index register Y.

Only the Z bit is set or cleared according to the result of this operation.

**Condition Codes
and Boolean
Formulae:**

S	X	H	I	N	Z	V	C
—	—	—	—	—	↕	—	—

$$Z \quad \overline{R15} \cdot \overline{R14} \cdot \overline{R13} \cdot \overline{R12} \cdot \overline{R11} \cdot \overline{R10} \cdot \overline{R9} \cdot \overline{R8} \cdot \overline{R7} \cdot \overline{R6} \cdot \overline{R5} \cdot \overline{R4} \cdot \overline{R3} \cdot \overline{R2} \cdot \overline{R1} \cdot \overline{R0}$$

Set if result is \$0000; cleared otherwise.

Source Form: DEY

Addressing Modes, Machine Code, and Cycle-by-Cycle Execution:

Cycle	DEY (INH)		
	Addr	Data	R/W
1	OP	18	1
2	OP + 1	09	1
3	OP + 2	—	1
4	FFFF	—	1

EOR

Exclusive OR

EOR

Operation: $ACCX \leftarrow (ACCX) \oplus (M)$

Description: Performs the logical exclusive-OR between the contents of ACCX and the contents of M and places the result in ACCX. (Each bit of ACCX after the operation will be the logical exclusive-OR of the corresponding bits of M and ACCX before the operation.)

Condition Codes and Boolean Formulae:

S	X	H	I	N	Z	V	C
—	—	—	—	⇕	⇕	0	—

N R7

Set if MSB of result is set; cleared otherwise.

Z $\overline{R7} \cdot \overline{R6} \cdot \overline{R5} \cdot \overline{R4} \cdot \overline{R3} \cdot \overline{R2} \cdot \overline{R1} \cdot \overline{R0}$

Set if result is \$00; cleared otherwise.

V 0

Cleared

Source Forms: EORA (opr); EORB (opr)

Addressing Modes, Machine Code, and Cycle-by-Cycle Execution:

Cycle	EORA (IMM)			EORA (DIR)			EORA (EXT)			EORA (IND,X)			EORA (IND,Y)		
	Addr	Data	R/W	Addr	Data	R/W	Addr	Data	R/W	Addr	Data	R/W	Addr	Data	R/W
1	OP	88	1	OP	98	1	OP	B8	1	OP	A8	1	OP	18	1
2	OP + 1	ii	1	OP + 1	dd	1	OP + 1	hh	1	OP + 1	ff	1	OP + 1	A8	1
3				00dd	(00dd)	1	OP + 2	ll	1	FFFF	—	1	OP + 2	ff	1
4							hhll	(hhll)	1	X + ff	(X + ff)	1	FFFF	—	1
5													Y + ff	(Y + ff)	1

Cycle	EORB (IMM)			EORB (DIR)			EORB (EXT)			EORB (IND,X)			EORB (IND,Y)		
	Addr	Data	R/W	Addr	Data	R/W	Addr	Data	R/W	Addr	Data	R/W	Addr	Data	R/W
1	OP	C8	1	OP	D8	1	OP	F8	1	OP	E8	1	OP	18	1
2	OP + 1	ii	1	OP + 1	dd	1	OP + 1	hh	1	OP + 1	ff	1	OP + 1	E8	1
3				00dd	(00dd)	1	OP + 2	ll	1	FFFF	—	1	OP + 2	ff	1
4							hhll	(hhll)	1	X + ff	(X + ff)	1	FFFF	—	1
5													Y + ff	(Y + ff)	1

FDIV

Fractional Divide

FDIV

Operation: (ACCD)/(IX); IX ← Quotient, ACCD ← Remainder

Description: Performs an unsigned fractional divide of the 16-bit numerator in the D accumulator by the 16-bit denominator in the index register X and sets the condition codes accordingly. The quotient is placed in the index register X, and the remainder is placed in the D accumulator. The radix point is assumed to be in the same place for both the numerator and the denominator. The radix point is to the left of bit 15 for the quotient. The numerator is assumed to be less than the denominator. In the case of overflow (the denominator is less than or equal to the numerator) or divide by zero, the quotient is set to \$FFFF, and the remainder is indeterminate.

FDIV is equivalent to multiplying the numerator by 2^{16} and then performing a 32-bit by 16-bit integer divide. The result is interpreted as a binary-weighted fraction, which resulted from the division of a 16-bit integer by a larger 16-bit integer. A result of \$0001 corresponds to 0.000015, and \$FFFF corresponds to 0.99998. The remainder of an IDIV instruction can be resolved into a binary-weighted fraction by an FDIV instruction. The remainder of an FDIV instruction can be resolved into the next 16 bits of binary-weighted fraction by another FDIV instruction.

**Condition Codes
and Boolean
Formulae:**

S	X	H	I	N	Z	V	C
—	—	—	—	—	↕	↕	↕

$$Z \quad \overline{R_{15}} \cdot \overline{R_{14}} \cdot \overline{R_{13}} \cdot \overline{R_{12}} \cdot \overline{R_{11}} \cdot \overline{R_{10}} \cdot \overline{R_9} \cdot \overline{R_8} \cdot \overline{R_7} \cdot \overline{R_6} \cdot \overline{R_5} \cdot \overline{R_4} \cdot \overline{R_3} \cdot \overline{R_2} \cdot \overline{R_1} \cdot \overline{R_0}$$

Set if quotient is \$0000; cleared otherwise.

$$V \quad 1 \text{ if } IX \leq D$$

Set if denominator was less than or equal to the numerator; cleared otherwise.

$$Z \quad \overline{IX_{15}} \cdot \overline{IX_{14}} \cdot \overline{IX_{13}} \cdot \overline{IX_{12}} \cdot \overline{IX_{11}} \cdot \overline{IX_{10}} \cdot \overline{IX_9} \cdot \overline{IX_8} \cdot \overline{IX_7} \cdot \overline{IX_6} \cdot \overline{IX_5} \cdot \overline{IX_4} \cdot \overline{IX_3} \cdot \overline{IX_2} \cdot \overline{IX_1} \cdot \overline{IX_0}$$

Set if denominator was \$0000; cleared otherwise.

Source Form: FDIV

Addressing Modes, Machine Code, and Cycle-by-Cycle Execution:

Cycle	FDIV (INH)		
	Addr	Data	R/W
1	OP	03	1
2	OP + 1	—	1
3-41	FFFF	—	1

IDIV

Integer Divide

IDIV

Operation: (ACCD)/(IX); IX ← Quotient, ACCD ← Remainder

Description: Performs an unsigned integer divide of the 16-bit numerator in D accumulator by the 16-bit denominator in index register X and sets the condition codes accordingly. The quotient is placed in index register X, and the remainder is placed in the D accumulator. The radix point is assumed to be in the same place for both the numerator and the denominator. The radix point is to the right of bit 0 for the quotient. In the case of divide by zero, the quotient is set to \$FFFF, and the remainder is indeterminate.

Condition Codes and Boolean Formulae:

S	X	H	I	N	Z	V	C
—	—	—	—	—	↕	0	↕

$$Z \quad \overline{R15} \cdot \overline{R14} \cdot \overline{R13} \cdot \overline{R12} \cdot \overline{R11} \cdot \overline{R10} \cdot \overline{R9} \cdot \overline{R8} \cdot \overline{R7} \cdot \overline{R6} \cdot \overline{R5} \cdot \overline{R4} \cdot \overline{R3} \cdot \overline{R2} \cdot \overline{R1} \cdot \overline{R0}$$

Set if result is \$0000; cleared otherwise.

$$V \quad 0$$

Cleared

$$C \quad \overline{IX15} \cdot \overline{IX14} \cdot \overline{IX13} \cdot \overline{IX12} \cdot \overline{IX11} \cdot \overline{IX10} \cdot \overline{IX9} \cdot \overline{IX8} \cdot \overline{IX7} \cdot \overline{IX6} \cdot \overline{IX5} \cdot \overline{IX4} \cdot \overline{IX3} \cdot \overline{IX2} \cdot \overline{IX1} \cdot \overline{IX0}$$

Set if denominator was \$0000; cleared otherwise.

Source Form: IDIV

Addressing Modes, Machine Code, and Cycle-by-Cycle Execution:

Cycle	IDIV (INH)		
	Addr	Data	R/W
1	OP	02	1
2	OP + 1	—	1
3-41	FFFF	—	1

INC

Increment

INC

Operation: $ACCX \leftarrow (ACCX) + \01 or: $M \leftarrow (M) + \$01$

Description: Add one to the contents of ACCX or M.

The N, Z, and V bits in the CCR are set or cleared according to the results of the operation. The C bit in the CCR is not affected by the operation, thus allowing the INC instruction to be used as a loop counter in multiple-precision computations.

When operating on unsigned values, only BEQ and BNE branches can be expected to perform consistently. When operating on twos-complement values, all signed branches are available.

Condition Codes and Boolean Formulae:

S	X	H	I	N	Z	V	C
—	—	—	—	↕	↕	↕	—

N R7

Set if MSB of result is set; cleared otherwise.

Z $\overline{R7} \cdot \overline{R6} \cdot \overline{R5} \cdot \overline{R4} \cdot \overline{R3} \cdot \overline{R2} \cdot \overline{R1} \cdot \overline{R0}$

Set if result is \$00; cleared otherwise.

V $\overline{X7} \cdot X6 \cdot X5 \cdot X4 \cdot X3 \cdot X2 \cdot X1 \cdot X0$

Set if there is a twos complement overflow as a result of the operation; cleared otherwise. Two's complement overflow occurs if and only if (ACCX) or (M) was \$7F before the operation.

Source Forms: INCA; INCB; INC (opr)

Addressing Modes, Machine Code, and Cycle-by-Cycle Execution:

Cycle	INCA (INH)			INCB (INH)			INC (EXT)			INC (IND,X)			INC (IND,Y)		
	Addr	Data	R/W	Addr	Data	R/W	Addr	Data	R/W	Addr	Data	R/W	Addr	Data	R/W
1	OP	4C	1	OP	5C	1	OP	7C	1	OP	6C	1	OP	18	1
2	OP + 1	—	1	OP + 1	—	1	OP + 1	hh	1	OP + 1	ff	1	OP + 1	6C	1
3							OP + 2	ll	1	FFFF	—	1	OP + 2	ff	1
4							hhll	(hhll)	1	X + ff	(X + ff)	1	FFFF	—	1
5							FFFF	—	1	FFFF	—	1	Y + ff	(Y + ff)	1
6							hhll	result	0	X + ff	result	0	FFFF	—	1
7										Y + ff	result	0			

INS

Increment Stack Pointer

INS

Operation: $SP \leftarrow (SP) + \$0001$

Description: Adds one to the stack pointer

**Condition Codes
and Boolean
Formulae:**

S	X	H	I	N	Z	V	C
—	—	—	—	—	—	—	—

None affected

Source Form: INS

Addressing Modes, Machine Code, and Cycle-by-Cycle Execution:

Cycle	INS (INH)		
	Addr	Data	R/W
1	OP	31	1
2	OP + 1	—	1
3	SP	—	1

INX

Increment Index Register X

INX

Operation: $IX \leftarrow (IX) + \$0001$

Description: Adds one to index register X

Only the Z bit is set or cleared according to the result of this operation.

**Condition Codes
and Boolean
Formulae:**

S	X	H	I	N	Z	V	C
—	—	—	—	—	↕	—	—

$$Z \quad \overline{R15} \cdot \overline{R14} \cdot \overline{R13} \cdot \overline{R12} \cdot \overline{R11} \cdot \overline{R10} \cdot \overline{R9} \cdot \overline{R8} \cdot \overline{R7} \cdot \overline{R6} \cdot \overline{R5} \cdot \overline{R4} \cdot \overline{R3} \cdot \overline{R2} \cdot \overline{R1} \cdot \overline{R0}$$

Set if result is \$0000; cleared otherwise.

Source Form: INX

Addressing Modes, Machine Code, and Cycle-by-Cycle Execution:

Cycle	INX (INH)		
	Addr	Data	R/W
1	OP	08	1
2	OP + 1	—	1
3	FFFF	—	1

INY

Increment Index Register Y

INY

Operation: $IY \leftarrow (IY) + \$0001$

Description: Adds one to index register Y

Only the Z bit is set or cleared according to the result of this operation.

**Condition Codes
and Boolean
Formulae:**

S	X	H	I	N	Z	V	C
—	—	—	—	—	↕	—	—

$$Z \overline{R15} \cdot \overline{R14} \cdot \overline{R13} \cdot \overline{R12} \cdot \overline{R11} \cdot \overline{R10} \cdot \overline{R9} \cdot \overline{R8} \cdot \overline{R7} \cdot \overline{R6} \cdot \overline{R5} \cdot \overline{R4} \cdot \overline{R3} \cdot \overline{R2} \cdot \overline{R1} \cdot \overline{R0}$$

Set if result is \$0000; cleared otherwise.

Source Form: INY

Addressing Modes, Machine Code, and Cycle-by-Cycle Execution:

Cycle	INY (INH)		
	Addr	Data	R/W
1	OP	18	1
2	OP + 1	08	1
3	OP + 2	—	1
4	FFFF	—	1

JMP

Jump

JMP

Operation: $PC \leftarrow \text{Effective Address}$

Description: A jump occurs to the instruction stored at the effective address. The effective address is obtained according to the rules for EXTended or INDexed addressing.

**Condition Codes
and Boolean
Formulae:**

S	X	H	I	N	Z	V	C
—	—	—	—	—	—	—	—

None affected

Source Form: JMP (opr)

Addressing Modes, Machine Code, and Cycle-by-Cycle Execution:

Cycle	JMP (EXT)			JMP (IND,X)			JMP (IND,Y)		
	Addr	Data	R/W	Addr	Data	R/W	Addr	Data	R/W
1	OP	7E	1	OP	6E	1	OP	18	1
2	OP + 1	hh	1	OP + 1	ff	1	OP + 1	6E	1
3	OP + 2	ll	1	FFFF	—	1	OP + 2	ff	1
4							FFFF	—	1

JSR

Jump to Subroutine

JSR

Operation: $PC \leftarrow (PC) + \$0003$ (for EXTended or INDexed, Y addressing)
 or:
 $PC \leftarrow (PC) + \$0002$ (for DIRect or INDexed, X addressing)
 \downarrow (PCL) Push low-order return address onto stack
 $SP \leftarrow (SP) - \$0001$
 \downarrow (PCH) Push high-order return address onto stack
 $SP \leftarrow (SP) - \$0001$
 $PC \leftarrow \text{Effective Addr}$ Load start address or requested subroutine

Description: The program counter is incremented by three or by two, depending on the addressing mode, and is then pushed onto the stack, eight bits at a time, least significant byte first. The stack pointer points to the next empty location in the stack. A jump occurs to the instruction stored at the effective address. The effective address is obtained according to the rules for EXTended, DIRect, or INDexed addressing.

Condition Codes and Boolean Formulae:

S	X	H	I	N	Z	V	C
—	—	—	—	—	—	—	—

None affected

Source Form: JSR (opr)

Addressing Modes, Machine Code, and Cycle-by-Cycle Execution:

Cycle	JSR (DIR)			JSR (EXT)			JSR (IND,X)			JSR (IND,Y)		
	Addr	Data	R/W	Addr	Data	R/W	Addr	Data	R/W	Addr	Data	R/W
1	OP	9D	1	OP	BD	1	OP	AD	1	OP	18	1
2	OP + 1	dd	1	OP + 1	hh	1	OP + 1	ff	1	OP + 1	AD	1
3	00dd	(00dd)	1	OP + 2	ll	1	FFFF	—	1	OP + 2	ff	1
4	SP	Rtn lo	0	hhl	(hhl)	1	X + ff	(X + ff)	1	FFFF	—	1
5	SP - 1	Rtn hi	0	SP	Rtn lo	0	SP	Rtn lo	0	Y + ff	(Y + ff)	1
6				SP - 1	Rtn hi	0	SP - 1	Rtn hi	0	SP	Rtn lo	0
7										SP - 1	Rtn hi	0

LDA

Load Accumulator

LDA

Operation: $ACCX \leftarrow (M)$

Description: Loads the contents of memory into the 8-bit accumulator. The condition codes are set according to the data.

**Condition Codes
and Boolean
Formulae:**

S	X	H	I	N	Z	V	C
—	—	—	—	↑	↑	0	—

N R7

Set if MSB of result is set; cleared otherwise.

Z $\overline{R7} \cdot \overline{R6} \cdot \overline{R5} \cdot \overline{R4} \cdot \overline{R3} \cdot \overline{R2} \cdot \overline{R1} \cdot \overline{R0}$

Set if result is \$00; cleared otherwise.

V 0

Cleared

Source Forms: LDAA (opr); LDAB (opr)

Addressing Modes, Machine Code, and Cycle-by-Cycle Execution:

Cycle	LDAA (IMM)			LDAA (DIR)			LDAA (EXT)			LDAA (IND,X)			LDAA (IND,Y)		
	Addr	Data	R/W	Addr	Data	R/W	Addr	Data	R/W	Addr	Data	R/W	Addr	Data	R/W
1	OP	86	1	OP	96	1	OP	B6	1	OP	A6	1	OP	18	1
2	OP + 1	ii	1	OP + 1	dd	1	OP + 1	hh	1	OP + 1	ff	1	OP + 1	A6	1
3				00dd	(00dd)	1	OP + 2	ll	1	FFFF	—	1	OP + 2	ff	1
4							hhll	(hhll)	1	X + ff	(X + ff)	1	FFFF	—	1
5													Y + ff	(Y + ff)	1

Cycle	LDAB (IMM)			LDAB (DIR)			LDAB (EXT)			LDAB (IND,X)			LDAB (IND,Y)		
	Addr	Data	R/W	Addr	Data	R/W	Addr	Data	R/W	Addr	Data	R/W	Addr	Data	R/W
1	OP	C6	1	OP	D6	1	OP	F6	1	OP	E6	1	OP	18	1
2	OP + 1	ii	1	OP + 1	dd	1	OP + 1	hh	1	OP + 1	ff	1	OP + 1	E6	1
3				00dd	(00dd)	1	OP + 2	ll	1	FFFF	—	1	OP + 2	ff	1
4							hhll	(hhll)	1	X + ff	(X + ff)	1	FFFF	—	1
5													Y + ff	(Y + ff)	1

LDD

Load Double Accumulator

LDD

Operation: $ACCX \leftarrow (M : M + 1); ACCA \leftarrow (M), ACCB \leftarrow (M + 1)$

Description: Loads the contents of memory locations M and M + 1 into the double accumulator D. The condition codes are set according to the data. The information from location M is loaded into accumulator A, and the information from location M + 1 is loaded into accumulator B.

Condition Codes and Boolean Formulae:

S	X	H	I	N	Z	V	C
—	—	—	—	⇕	⇕	0	—

N R15

Set if MSB of result is set; cleared otherwise.

Z $\overline{R15} \cdot \overline{R14} \cdot \overline{R13} \cdot \overline{R12} \cdot \overline{R11} \cdot \overline{R10} \cdot \overline{R9} \cdot \overline{R8} \cdot \overline{R7} \cdot \overline{R6} \cdot \overline{R5} \cdot \overline{R4} \cdot \overline{R3} \cdot \overline{R2} \cdot \overline{R1} \cdot \overline{R0}$

Set if result is \$0000; cleared otherwise.

V 0

Cleared

Source Form: LDD (opr)

Addressing Modes, Machine Code, and Cycle-by-Cycle Execution:

Cycle	LDD (IMM)			LDD (DIR)			LDD (EXT)			LDD (IND,X)			LDD (IND,Y)		
	Addr	Data	R/W	Addr	Data	R/W	Addr	Data	R/W	Addr	Data	R/W	Addr	Data	R/W
1	OP	CC	1	OP	DC	1	OP	FC	1	OP	EC	1	OP	18	1
2	OP + 1	jj	1	OP + 1	dd	1	OP + 1	hh	1	OP + 1	ff	1	OP + 1	EC	1
3	OP + 2	kk	1	00dd	(00dd)	1	OP + 2	ll	1	FFFF	—	1	OP + 2	ff	1
4				00dd + 1	(00dd + 1)	1	hhll	(hhll)	1	X + ff	(X + ff)	1	FFFF	—	1
5							hhll + 1	(hhll + 1)	1	X + ff + 1	(X + ff + 1)	1	Y + ff	(Y + ff)	1
6													Y + ff + 1	(Y + ff + 1)	1

LDS

Load Stack Pointer

LDS

Operation: $SPH \leftarrow (M), SPL \leftarrow (M + 1)$

Description: Loads the most significant byte of the stack pointer from the byte of memory at the address specified by the program, and loads the least significant byte of the stack pointer from the next byte of memory at one plus the address specified by the program.

**Condition Codes
and Boolean
Formulae:**

S	X	H	I	N	Z	V	C
—	—	—	—	⇕	⇕	0	—

N R15

Set if MSB of result is set; cleared otherwise.

Z $\overline{R15} \cdot \overline{R14} \cdot \overline{R13} \cdot \overline{R12} \cdot \overline{R11} \cdot \overline{R10} \cdot \overline{R9} \cdot \overline{R8} \cdot \overline{R7} \cdot \overline{R6} \cdot \overline{R5} \cdot \overline{R4} \cdot \overline{R3} \cdot \overline{R2} \cdot \overline{R1} \cdot \overline{R0}$

Set if result is \$0000; cleared otherwise.

V 0

Cleared

Source Form: LDS (opr)

Addressing Modes, Machine Code, and Cycle-by-Cycle Execution:

Cycle	LDS (IMM)			LDS (DIR)			LDS (EXT)			LDS (IND,X)			LDS (IND,Y)		
	Addr	Data	R/W	Addr	Data	R/W	Addr	Data	R/W	Addr	Data	R/W	Addr	Data	R/W
1	OP	8E	1	OP	9E	1	OP	BE	1	OP	AE	1	OP	18	1
2	OP + 1	jj	1	OP + 1	dd	1	OP + 1	hh	1	OP + 1	ff	1	OP + 1	AE	1
3	OP + 2	kk	1	00dd	(00dd)	1	OP + 2	ll	1	FFFF	—	1	OP + 2	ff	1
4				00dd + 1	(00dd + 1)	1	hhll	(hhll)	1	X + ff	(X + ff)	1	FFFF	—	1
5							hhll + 1	(hhll + 1)	1	X + ff + 1	(X + ff + 1)	1	Y + ff	(Y + ff)	1
6													Y + ff + 1	(Y + ff + 1)	1

LDX

Load Index Register X

LDX

Operation: $IXH \leftarrow (M), IXL \leftarrow (M + 1)$

Description: Loads the most significant byte of index register X from the byte of memory at the address specified by the program, and loads the least significant byte of index register X from the next byte of memory at one plus the address specified by the program.

Condition Codes and Boolean Formulae:

S	X	H	I	N	Z	V	C
—	—	—	—	↕	↕	0	—

N R15

Set if MSB of result is set; cleared otherwise.

Z $\overline{R15} \cdot \overline{R14} \cdot \overline{R13} \cdot \overline{R12} \cdot \overline{R11} \cdot \overline{R10} \cdot \overline{R9} \cdot \overline{R8} \cdot \overline{R7} \cdot \overline{R6} \cdot \overline{R5} \cdot \overline{R4} \cdot \overline{R3} \cdot \overline{R2} \cdot \overline{R1} \cdot \overline{R0}$

Set if result is \$0000; cleared otherwise.

V 0

Cleared

Source Form: LDX (opr)

Addressing Modes, Machine Code, and Cycle-by-Cycle Execution:

Cycle	LDX (IMM)			LDX (DIR)			LDX (EXT)			LDX (IND,X)			LDX (IND,Y)		
	Addr	Data	R/W	Addr	Data	R/W	Addr	Data	R/W	Addr	Data	R/W	Addr	Data	R/W
1	OP	CE	1	OP	DE	1	OP	FE	1	OP	EE	1	OP	CD	1
2	OP + 1	jj	1	OP + 1	dd	1	OP + 1	hh	1	OP + 1	ff	1	OP + 1	EE	1
3	OP + 2	kk	1	00dd	(00dd)	1	OP + 2	ll	1	FFFF	—	1	OP + 2	ff	1
4				00dd + 1	(00dd + 1)	1	hhll	(hhll)	1	X + ff	(X + ff)	1	FFFF	—	1
5							hhll + 1	(hhll + 1)	1	X + ff + 1	(X + ff + 1)	1	Y + ff	(Y + ff)	1
6													Y + ff + 1	(Y + ff + 1)	1

LDY

Load Index Register Y

LDY

Operation: $IYH \leftarrow (M), IYL \leftarrow (M + 1)$

Description: Loads the most significant byte of index register Y from the byte of memory at the address specified by the program, and loads the least significant byte of index register Y from the next byte of memory at one plus the address specified by the program.

**Condition Codes
and Boolean
Formulae:**

S	X	H	I	N	Z	V	C
—	—	—	—	⇕	⇕	0	—

N R15

Set if MSB of result is set; cleared otherwise.

Z $\overline{R15} \cdot \overline{R14} \cdot \overline{R13} \cdot \overline{R12} \cdot \overline{R11} \cdot \overline{R10} \cdot \overline{R9} \cdot \overline{R8} \cdot \overline{R7} \cdot \overline{R6} \cdot \overline{R5} \cdot \overline{R4} \cdot \overline{R3} \cdot \overline{R2} \cdot \overline{R1} \cdot \overline{R0}$

Set if result is \$0000; cleared otherwise.

V 0

Cleared

Source Form: LDY (opr)

Addressing Modes, Machine Code, and Cycle-by-Cycle Execution:

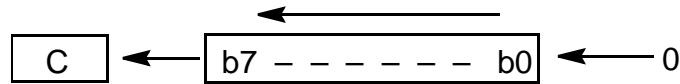
Cycle	LDY (IMM)			LDY (DIR)			LDY (EXT)			LDY (IND,X)			LDY (IND,Y)		
	Addr	Data	R/W	Addr	Data	R/W	Addr	Data	R/W	Addr	Data	R/W	Addr	Data	R/W
1	OP	18	1	OP	18	1	OP	18	1	OP	1A	1	OP	18	1
2	OP + 1	CE	1	OP + 1	DE	1	OP + 1	FE	1	OP + 1	EE	1	OP + 1	EE	1
3	OP + 2	jj	1	OP + 2	dd	1	OP + 2	hh	1	OP + 2	ff	1	OP + 2	ff	1
4	OP + 3	kk	1	00dd	(00dd)	1	OP + 3	ll	1	FFFF	—	1	FFFF	—	1
5				00dd + 1	(00dd + 1)	1	hhll	(hhll)	1	X + ff	(X + ff)	1	Y + ff	(Y + ff)	1
6							hhll + 1	(hhll + 1)	1	X + ff + 1	(X + ff + 1)	1	Y + ff + 1	(Y + ff + 1)	1

LSL

Logical Shift Left (Same as ASL)

LSL

Operation:



Description: Shifts all bits of the ACCX or M one place to the left. Bit 0 is loaded with a 0. The C bit in the CCR is loaded from the most significant bit of ACCX or M.

**Condition Codes
and Boolean
Formulae:**

S	X	H	I	N	Z	V	C
—	—	—	—	⇕	⇕	⇕	⇕

N R7

Set if MSB of result is set; cleared otherwise.

Z $\overline{R7} \cdot \overline{R6} \cdot \overline{R5} \cdot \overline{R4} \cdot \overline{R3} \cdot \overline{R2} \cdot \overline{R1} \cdot \overline{R0}$

Set if result is \$00; cleared otherwise.

V $N \oplus C = [N \cdot \overline{C}] + [\overline{N} \cdot C]$ (for N and C after the shift)

Set if (N is set and C is clear) or (N is clear and C is set); cleared otherwise (for values of N and C after the shift).

C M7

Set if, before the shift, the MSB of ACCX or M was set; cleared otherwise.

Source Forms: LSLA; LSLB; LSL (opr)

Addressing Modes, Machine Code, and Cycle-by-Cycle Execution:

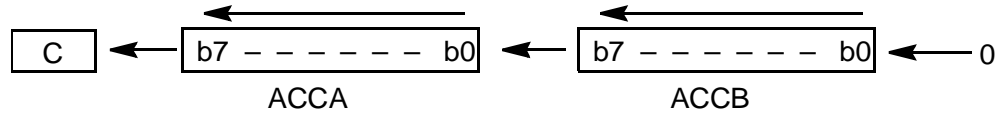
Cycle	LSLA (INH)			LSLB (INH)			LSL (EXT)			LSL (IND,X)			LSL (IND,Y)		
	Addr	Data	R/W	Addr	Data	R/W	Addr	Data	R/W	Addr	Data	R/W	Addr	Data	R/W
1	OP	48	1	OP	58	1	OP	78	1	OP	68	1	OP	18	1
2	OP + 1	—	1	OP + 1	—	1	OP + 1	hh	1	OP + 1	ff	1	OP + 1	68	1
3							OP + 2	ll	1	FFFF	—	1	OP + 2	ff	1
4							hhll	(hhll)	1	X + ff	(X + ff)	1	FFFF	—	1
5							FFFF	—	1	FFFF	—	1	Y + ff	(Y + ff)	1
6							hhll	result	0	X + ff	result	0	FFFF	—	1
7													Y + ff	result	0

LSLD

Logical Shift Left Double (Same as ASLD)

LSLD

Operation:



Description: Shifts all bits of ACCD one place to the left. Bit 0 is loaded with a 0. The C bit in the CCR is loaded from the most significant bit of ACCD.

Condition Codes and Boolean Formulae:

S	X	H	I	N	Z	V	C
—	—	—	—	↕	↕	↕	↕

N R15

Set if MSB of result is set; cleared otherwise.

Z $\overline{R15} \cdot \overline{R14} \cdot \overline{R13} \cdot \overline{R12} \cdot \overline{R11} \cdot \overline{R10} \cdot \overline{R9} \cdot \overline{R8} \cdot \overline{R7} \cdot \overline{R6} \cdot \overline{R5} \cdot \overline{R4} \cdot \overline{R3} \cdot \overline{R2} \cdot \overline{R1} \cdot \overline{R0}$

Set if result is \$0000; cleared otherwise.

V $N \oplus C = [N \cdot \overline{C}] + [\overline{N} \cdot C]$ (for N and C after the shift)

Set if (N is set and C is clear) or (N is clear and C is set); cleared otherwise (for values of N and C after the shift).

C D15

Set if, before the shift, the MSB of ACCD was set; cleared otherwise.

Source Form: LSLD

Addressing Modes, Machine Code, and Cycle-by-Cycle Execution:

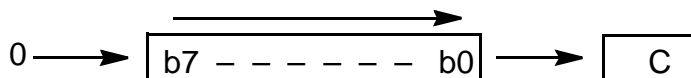
Cycle	LSLD (INH)		
	Addr	Data	R/W
1	OP	05	1
2	OP + 1	—	1
3	FFFF	—	1

LSR

Logical Shift Right

LSR

Operation:



Description: Shifts all bits of the ACCX or M one place to the right. Bit 7 is loaded with 0. The C bit is loaded from the least significant bit of ACCX or M.

Condition Codes and Boolean Formulae:

S	X	H	I	N	Z	V	C
—	—	—	—	0	⇕	⇕	⇕

N 0

Cleared.

Z $\overline{R7} \cdot \overline{R6} \cdot \overline{R5} \cdot \overline{R4} \cdot \overline{R3} \cdot \overline{R2} \cdot \overline{R1} \cdot \overline{R0}$

Set if result is \$00; cleared otherwise.

V $N \oplus C = [N \cdot \overline{C}] + [\overline{N} \cdot C]$ (for N and C after the shift)

Since N = 0, this simplifies to C (after the shift).

C M0

Set if, before the shift, the LSB of ACCX or M was set; cleared otherwise.

Source Forms: LSRA; LSRB; LSR (opr)

Addressing Modes, Machine Code, and Cycle-by-Cycle Execution:

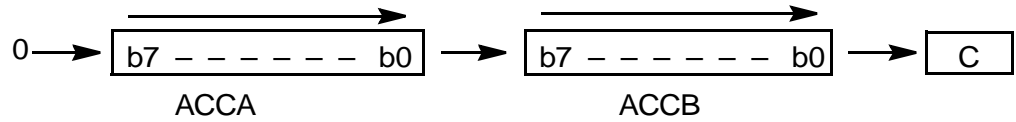
Cycle	LSRA (INH)			LSRB (INH)			LSR (EXT)			LSR (IND,X)			LSR (IND,Y)		
	Addr	Data	R/W	Addr	Data	R/W	Addr	Data	R/W	Addr	Data	R/W	Addr	Data	R/W
1	OP	44	1	OP	54	1	OP	74	1	OP	64	1	OP	18	1
2	OP + 1	—	1	OP + 1	—	1	OP + 1	hh	1	OP + 1	ff	1	OP + 1	64	1
3							OP + 2	ll	1	FFFF	—	1	OP + 2	ff	1
4							hhll	(hhll)	1	X + ff	(X + ff)	1	FFFF	—	1
5							FFFF	—	1	FFFF	—	1	Y + ff	(Y + ff)	1
6							hhll	result	0	X + ff	result	0	FFFF	—	1
7													Y + ff	result	0

LSRD

Logical Shift Right Double Accumulator

LSRD

Operation:



Description:

Shifts all bits of ACCD one place to the right. Bit 15 (MSB of ACCA) is loaded with 0. The C bit is loaded from the least significant bit of ACCD (LSB of ACCB).

Condition Codes and Boolean Formulae:

S	X	H	I	N	Z	V	C
—	—	—	—	0	↕	↕	↕

N 0

Cleared.

Z $\overline{R15} \cdot \overline{R14} \cdot \overline{R13} \cdot \overline{R12} \cdot \overline{R11} \cdot \overline{R10} \cdot \overline{R9} \cdot \overline{R8} \cdot \overline{R7} \cdot \overline{R6} \cdot \overline{R5} \cdot \overline{R4} \cdot \overline{R3} \cdot \overline{R2} \cdot \overline{R1} \cdot \overline{R0}$

Set if result is \$0000; cleared otherwise.

V D0

Set if, after the shift operation, C is set; cleared otherwise.

C D0

Set if, before the shift, the least significant bit of ACCD was set; cleared otherwise.

Source Form: LSRD

Addressing Modes, Machine Code, and Cycle-by-Cycle Execution:

Cycle	LSRD (INH)		
	Addr	Data	R/W
1	OP	04	1
2	OP + 1	—	1
3	FFFF	—	1

MUL

Multiply Unsigned

MUL

Operation: $ACCD \leftarrow (ACCA) \times (ACCB)$

Description: Multiplies the 8-bit unsigned binary value in accumulator A by the 8-bit unsigned binary value in accumulator B to obtain a 16-bit unsigned result in the double accumulator D. Unsigned multiply allows multiple-precision operations. The carry flag allows rounding the most significant byte of the result through the sequence MUL, ADCA #0.

Condition Codes and Boolean Formulae:

S	X	H	I	N	Z	V	C
—	—	—	—	—	—	—	↕

C R7

Set if bit 7 of the result (ACCB bit 7) is set; cleared otherwise.

Source Form: MUL

Addressing Modes, Machine Code, and Cycle-by-Cycle Execution:

Cycle	MUL (INH)		
	Addr	Data	R/W
1	OP	3D	1
2	OP + 1	—	1
3-10	FFFF	—	1

NEG

Negate

NEG

Operation: $ACCX \leftarrow -(ACCX) = \$00 - (ACCX)$ or: $M \leftarrow -(M) = \$00 - (M)$

Description: Replaces the contents of ACCX or M with its twos complement; the value \$80 is left unchanged

**Condition Codes
and Boolean
Formulae:**

S	X	H	I	N	Z	V	C
—	—	—	—	↕	↕	↕	↕

N R7

Set if MSB of result is set; cleared otherwise.

Z $\overline{R7} \cdot \overline{R6} \cdot \overline{R5} \cdot \overline{R4} \cdot \overline{R3} \cdot \overline{R2} \cdot \overline{R1} \cdot \overline{R0}$

Set if result is \$00; cleared otherwise.

V $R7 \cdot \overline{R6} \cdot \overline{R5} \cdot \overline{R4} \cdot \overline{R3} \cdot \overline{R2} \cdot \overline{R1} \cdot \overline{R0}$

Set if there is a twos complement overflow from the implied subtraction from zero; cleared otherwise. A twos complement overflow will occur if and only if the contents of ACCX or M is \$80.

C $R7 + R6 + R5 + R4 + R3 + R2 + R1 + R0$

Set if there is a borrow in the implied subtraction from zero; cleared otherwise. The C bit will be set in all cases except when the contents of ACCX or M is \$00.

Source Forms: NEGA; NEGB; NEG (opr)

Addressing Modes, Machine Code, and Cycle-by-Cycle Execution:

Cycle	NEGA (INH)			NEGB (INH)			NEG (EXT)			NEG (IND,X)			NEG (IND,Y)		
	Addr	Data	R/W	Addr	Data	R/W	Addr	Data	R/W	Addr	Data	R/W	Addr	Data	R/W
1	OP	40	1	OP	50	1	OP	70	1	OP	60	1	OP	18	1
2	OP + 1	—	1	OP + 1	—	1	OP + 1	hh	1	OP + 1	ff	1	OP + 1	60	1
3							OP + 2	ll	1	FFFF	—	1	OP + 2	ff	1
4							hhll	(hhll)	1	X + ff	(X + ff)	1	FFFF	—	1
5							FFFF	—	1	FFFF	—	1	Y + ff	(Y + ff)	1
6							hhll	result	0	X + ff	result	0	FFFF	—	1
7													Y + ff	result	0

NOP

No Operation

NOP

Description: This is a single-byte instruction that causes only the program counter to be incremented. No other registers are affected. This instruction is typically used to produce a time delay although some software disciplines discourage CPU frequency-based time delays. During debug, NOP instructions are sometimes used to temporarily replace other machine code instructions, thus disabling the replaced instructions.

Condition Codes and Boolean Formulae:

S	X	H	I	N	Z	V	C
—	—	—	—	—	—	—	—

None affected

Source Form: NOP

Addressing Modes, Machine Code, and Cycle-by-Cycle Execution:

Cycle	NOP (INH)		
	Addr	Data	R/W
1	OP	01	1
2	OP + 1	—	1

ORA

Inclusive OR

ORA

Operation: $ACCX \leftarrow (ACCX) + (M)$

Description: Performs the logical inclusive-OR between the contents of ACCX and the contents of M and places the result in ACCX. (Each bit of ACCX after the operation will be the logical inclusive-OR of the corresponding bits of M and ACCX before the operation.)

**Condition Codes
and Boolean
Formulae:**

S	X	H	I	N	Z	V	C
—	—	—	—	⇕	⇕	0	—

N R7

Set if MSB of result is set; cleared otherwise.

Z $\overline{R7} \cdot \overline{R6} \cdot \overline{R5} \cdot \overline{R4} \cdot \overline{R3} \cdot \overline{R2} \cdot \overline{R1} \cdot \overline{R0}$

Set if result is \$00; cleared otherwise.

V 0

Cleared

Source Forms: ORAA (opr); ORAB (opr)

Addressing Modes, Machine Code, and Cycle-by-Cycle Execution:

Cycle	ORAA (IMM)			ORAA (DIR)			ORAA (EXT)			ORAA (IND,X)			ORAA (IND,Y)		
	Addr	Data	R/W	Addr	Data	R/W	Addr	Data	R/W	Addr	Data	R/W	Addr	Data	R/W
1	OP	8A	1	OP	9A	1	OP	BA	1	OP	AA	1	OP	18	1
2	OP + 1	ii	1	OP + 1	dd	1	OP + 1	hh	1	OP + 1	ff	1	OP + 1	AA	1
3				00dd	(00dd)	1	OP + 2	ll	1	FFFF	—	1	OP + 2	ff	1
4							hhll	(hhll)	1	X + ff	(X + ff)	1	FFFF	—	1
5													Y + ff	(Y + ff)	1

Cycle	ORAB (IMM)			ORAB (DIR)			ORAB (EXT)			ORAB (IND,X)			ORAB (IND,Y)		
	Addr	Data	R/W	Addr	Data	R/W	Addr	Data	R/W	Addr	Data	R/W	Addr	Data	R/W
1	OP	CA	1	OP	DA	1	OP	FA	1	OP	EA	1	OP	18	1
2	OP + 1	ii	1	OP + 1	dd	1	OP + 1	hh	1	OP + 1	ff	1	OP + 1	EA	1
3				00dd	(00dd)	1	OP + 2	ll	1	FFFF	—	1	OP + 2	ff	1
4							hhll	(hhll)	1	X + ff	(X + ff)	1	FFFF	—	1
5													Y + ff	(Y + ff)	1

PSH

Push Data onto Stack

PSH

Operation: \Downarrow ACCX, $SP \leftarrow (SP) - \$0001$

Description: The contents of ACCX are stored on the stack at the address contained in the stack pointer. The stack pointer is then decremented.

Push instructions are commonly used to save the contents of one or more CPU registers at the start of a subroutine. Just before returning from the subroutine, corresponding pull instructions are used to restore the saved CPU registers so the subroutine will appear not to have affected these registers.

Condition Codes and Boolean Formulae:

S	X	H	I	N	Z	V	C
—	—	—	—	—	—	—	—

None affected

Source Forms: PSHA; PSHB

Addressing Modes, Machine Code, and Cycle-by-Cycle Execution:

Cycle	PSHA (INH)			PSHB (INH)		
	Addr	Data	R/W	Addr	Data	R/W
1	OP	36	1	OP	37	1
2	OP + 1	—	1	OP + 1	—	1
3	SP	(A)	0	SP	(B)	0

PSHX

Push Index Register X onto Stack

PSHX

Operation: \Downarrow (IXL), $SP \leftarrow (SP) - \$0001$
 \Downarrow (IXH), $SP \leftarrow (SP) - \$0001$

Description: The contents of index register X are pushed onto the stack (low-order byte first) at the address contained in the stack pointer. The stack pointer is then decremented by two.

Push instructions are commonly used to save the contents of one or more CPU registers at the start of a subroutine. Just before returning from the subroutine, corresponding pull instructions are used to restore the saved CPU registers so the subroutine will appear not to have affected these registers.

**Condition Codes
and Boolean
Formulae:**

S	X	H	I	N	Z	V	C
—	—	—	—	—	—	—	—

None affected

Source Form: PSHX

Addressing Modes, Machine Code, and Cycle-by-Cycle Execution:

Cycle	PSHX (INH)		
	Addr	Data	R/W
1	OP	3C	1
2	OP + 1	—	1
3	SP	(IXL)	0
4	SP - 1	(IXH)	0

PSHY

Push Index Register Y onto Stack

PSHY

Operation: \Downarrow (IYL), $SP \leftarrow (SP) - \$0001$
 \Downarrow (IYH), $SP \leftarrow (SP) - \$0001$

Description: The contents of index register Y are pushed onto the stack (low-order byte first) at the address contained in the stack pointer. The stack pointer is then decremented by two.

Push instructions are commonly used to save the contents of one or more CPU registers at the start of a subroutine. Just before returning from the subroutine, corresponding pull instructions are used to restore the saved CPU registers so the subroutine will appear not to have affected these registers.

Condition Codes and Boolean Formulae:

S	X	H	I	N	Z	V	C
—	—	—	—	—	—	—	—

None affected

Source Form: PSHY

Addressing Modes, Machine Code, and Cycle-by-Cycle Execution:

Cycle	PSHY (INH)		
	Addr	Data	R/W
1	OP	18	1
2	OP + 1	3C	1
3	OP + 2	—	1
4	SP	(IYL)	0
5	SP - 1	(IYH)	0

PUL

Pull Data from Stack

PUL

Operation: $SP \leftarrow (SP) + \$0001, \uparrow (ACCX)$

Description: The stack pointer is incremented. The ACCX is then loaded from the stack at the address contained in the stack pointer.

Push instructions are commonly used to save the contents of one or more CPU registers at the start of a subroutine. Just before returning from the subroutine, corresponding pull instructions are used to restore the saved CPU registers so the subroutine will appear not to have affected these registers.

**Condition Codes
and Boolean
Formulae:**

S	X	H	I	N	Z	V	C
—	—	—	—	—	—	—	—

None affected

Source Forms: PULA; PULB

Addressing Modes, Machine Code, and Cycle-by-Cycle Execution:

Cycle	PULA (INH)			PULB (INH)		
	Addr	Data	R/W	Addr	Data	R/W
1	OP	32	1	OP	33	1
2	OP + 1	—	1	OP + 1	—	1
3	SP	—	1	SP	—	1
4	SP + 1	get A	1	SP + 1	get B	1

PULX

Pull Index Register X from Stack

PULX

Operation: $SP \leftarrow (SP) + \$0001; \uparrow (IXH)$
 $SP \leftarrow (SP) + \$0001; \uparrow (IXL)$

Description: Index register X is pulled from the stack (high-order byte first) beginning at the address contained in the stack pointer plus one. The stack pointer is incremented by two in total.

Push instructions are commonly used to save the contents of one or more CPU registers at the start of a subroutine. Just before returning from the subroutine, corresponding pull instructions are used to restore the saved CPU registers so the subroutine will appear not to have affected these registers.

Condition Codes and Boolean Formulae:

S	X	H	I	N	Z	V	C
—	—	—	—	—	—	—	—

None affected

Source Form: PULX

Addressing Modes, Machine Code, and Cycle-by-Cycle Execution:

Cycle	PULX (INH)		
	Addr	Data	R/W
1	OP	38	1
2	OP + 1	—	1
3	SP	—	1
4	SP + 1	get IXH	1
5	SP + 2	get IXL	1

PULY

Pull Index Register Y from Stack

PULY

Operation: $SP \leftarrow (SP) + \$0001; \uparrow (IYH)$
 $SP \leftarrow (SP) + \$0001; \uparrow (IYL)$

Description: Index register Y is pulled from the stack (high-order byte first) beginning at the address contained in the stack pointer plus one. The stack pointer is incremented by two in total.

Push instructions are commonly used to save the contents of one or more CPU registers at the start of a subroutine. Just before returning from the subroutine, corresponding pull instructions are used to restore the saved CPU registers so the subroutine will appear not to have affected these registers.

**Condition Codes
and Boolean
Formulae:**

S	X	H	I	N	Z	V	C
—	—	—	—	—	—	—	—

None affected

Source Form: PULY

Addressing Modes, Machine Code, and Cycle-by-Cycle Execution:

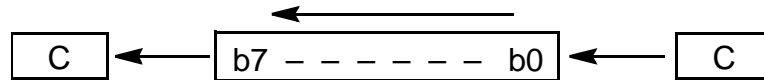
Cycle	PULY (INH)		
	Addr	Data	R/W
1	OP	18	1
2	OP + 1	38	1
3	OP + 2	—	1
4	SP	—	1
5	SP + 1	get IYH	1
6	SP + 2	get IYL	1

ROL

Rotate Left

ROL

Operation:



Description: Shifts all bits of the ACCX or M one place to the left. Bit 0 is loaded from the C bit. The C bit in the CCR is loaded from the most significant bit of ACCX or M. The rotate operations include the carry bit to allow extension of the shift and rotate operations to multiple bytes. For example, to shift a 24-bit value left one bit, the sequence ASL LOW, ROL MID, ROL HIGH could be used where LOW, MID, and HIGH refer to the low-order, middle, and high-order bytes of the 24-bit value, respectively.

Condition Codes and Boolean Formulae:

S	X	H	I	N	Z	V	C
—	—	—	—	↕	↕	↕	↕

N R7

Set if MSB of result is set; cleared otherwise.

Z $\overline{R7} \cdot \overline{R6} \cdot \overline{R5} \cdot \overline{R4} \cdot \overline{R3} \cdot \overline{R2} \cdot \overline{R1} \cdot \overline{R0}$

Set if result is \$00; cleared otherwise.

V $N \oplus C = [N \cdot \overline{C}] + [\overline{N} \cdot C]$ (for N and C after the rotate)

Set if (N is set and C is clear) or (N is clear and C is set); cleared otherwise (for values of N and C after the rotate).

C M7

Set if, before the rotate, the MSB of ACCX or M was set; cleared otherwise.

Source Forms: ROLA; ROLB; ROL (opr)

Addressing Modes, Machine Code, and Cycle-by-Cycle Execution:

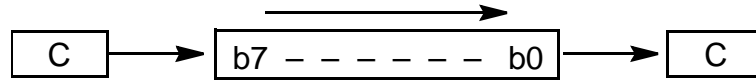
Cycle	ROLA (INH)			ROLB (INH)			ROL (EXT)			ROL (IND,X)			ROL (IND,Y)		
	Addr	Data	R/W	Addr	Data	R/W	Addr	Data	R/W	Addr	Data	R/W	Addr	Data	R/W
1	OP	49	1	OP	59	1	OP	79	1	OP	69	1	OP	18	1
2	OP + 1	—	1	OP + 1	—	1	OP + 1	hh	1	OP + 1	ff	1	OP + 1	69	1
3							OP + 2	ll	1	FFFF	—	1	OP + 2	ff	1
4							hhll	(hhll)	1	X + ff	(X + ff)	1	FFFF	—	1
5							FFFF	—	1	FFFF	—	1	Y + ff	(Y + ff)	1
6							hhll	result	0	X + ff	result	0	FFFF	—	1
7													Y + ff	result	0

ROR

Rotate Right

ROR

Operation:



Description:

Shifts all bits of the ACCX or M one place to the right. Bit 7 is loaded from the C bit. The C bit in the CCR is loaded from the least significant bit of ACCX or M. The rotate operations include the carry bit to allow extension of the shift and rotate operations to multiple bytes. For example, to shift a 24-bit value right one bit, the sequence LSR HIGH, ROR MID, ROR LOW could be used where LOW, MID, and HIGH refer to the low-order, middle, and high-order bytes of the 24-bit value, respectively. The first LSR could be replaced by ASR to maintain the original value of the sign bit (MSB of high-order byte) of the 24-bit value.

Condition Codes and Boolean Formulae:

S	X	H	I	N	Z	V	C
—	—	—	—	↕	↕	↕	↕

N R7

Set if MSB of result is set; cleared otherwise.

Z $\overline{R7} \cdot \overline{R6} \cdot \overline{R5} \cdot \overline{R4} \cdot \overline{R3} \cdot \overline{R2} \cdot \overline{R1} \cdot \overline{R0}$

Set if result is \$00; cleared otherwise.

V $N \oplus C = [N \cdot \overline{C}] + [\overline{N} \cdot C]$ (for N and C after the rotate)

Set if (N is set and C is clear) or (N is clear and C is set); cleared otherwise (for values of N and C after the rotate).

C M0

Set if, before the rotate, the LSB of ACCX or M was set; cleared otherwise.

Source Forms: RORA; RORB; ROR (opr)

Addressing Modes, Machine Code, and Cycle-by-Cycle Execution:

Cycle	RORA (INH)			RORB (INH)			ROR (EXT)			ROR (IND,X)			ROR (IND,Y)		
	Addr	Data	R/W	Addr	Data	R/W	Addr	Data	R/W	Addr	Data	R/W	Addr	Data	R/W
1	OP	46	1	OP	56	1	OP	76	1	OP	66	1	OP	18	1
2	OP + 1	—	1	OP + 1	—	1	OP + 1	hh	1	OP + 1	ff	1	OP + 1	66	1
3							OP + 2	ll	1	FFFF	—	1	OP + 2	ff	1
4							hhll	(hhll)	1	X + ff	(X + ff)	1	FFFF	—	1
5							FFFF	—	1	FFFF	—	1	Y + ff	(Y + ff)	1
6							hhll	result	0	X + ff	result	0	FFFF	—	1
7													Y + ff	result	0

RTI

Return from Interrupt

RTI

Operation: $SP \leftarrow (SP) + \$0001, \uparrow (CCR)$
 $SP \leftarrow (SP) + \$0001, \uparrow (ACCB)$
 $SP \leftarrow (SP) + \$0001, \uparrow (ACCA)$
 $SP \leftarrow (SP) + \$0001, \uparrow (IXH)$
 $SP \leftarrow (SP) + \$0001, \uparrow (IXL)$
 $SP \leftarrow (SP) + \$0001, \uparrow (IYH)$
 $SP \leftarrow (SP) + \$0001, \uparrow (IYL)$
 $SP \leftarrow (SP) + \$0001, \uparrow (PCH)$
 $SP \leftarrow (SP) + \$0001, \uparrow (PCL)$

Description: The condition code, accumulators B and A, index registers X and Y, and the program counter will be restored to a state pulled from the stack. The X bit in the CCR may be cleared as a result of an RTI instruction but may not be set if it was cleared prior to execution of the RTI instruction.

Condition Codes and Boolean Formulae:

S	X	H	I	N	Z	V	C
↕	↓	↕	↕	↕	↕	↕	↕

Condition code bits take on the value of the corresponding bit of the unstacked CCR except that the X bit may not change from a 0 to a 1. Software can leave X set, leave X clear, or change X from 1 to 0. The XIRQ interrupt mask can become set only as a result of a reset or recognition of an XIRQ interrupt.

Source Form: RTI

Addressing Modes, Machine Code, and Cycle-by-Cycle Execution:

Cycle	RTI (INH)		
	Addr	Data	R/W
1	OP	3B	1
2	OP + 1	—	1
3	SP	—	1
4	SP + 1	get CC	1
5	SP + 2	get B	1
6	SP + 3	get A	1
7	SP + 4	get IXH	1
8	SP + 5	get IXL	1
9	SP + 6	get IYH	1
10	SP + 7	get IYL	1
11	SP + 8	Rtn hi	1
12	SP + 9	Rtn lo	1

RTS

Return from Subroutine

RTS

Operation: $SP \leftarrow (SP) + \$0001, \uparrow (PCH)$
 $SP \leftarrow (SP) + \$0001, \uparrow (PCL)$

Description: The stack pointer is incremented by one. The contents of the byte of memory, at the address now contained in the stack pointer, are loaded into the high-order eight bits of the program counter. The stack pointer is again incremented by one. The contents of the byte of memory, at the address now contained in the stack pointer, are loaded into the low-order eight bits of the program counter.

**Condition Codes
and Boolean
Formulae:**

S	X	H	I	N	Z	V	C
—	—	—	—	—	—	—	—

None affected

Source Form: RTS

Addressing Modes, Machine Code, and Cycle-by-Cycle Execution:

Cycle	RTS (INH)		
	Addr	Data	R/W
1	OP	39	1
2	OP + 1	—	1
3	SP	—	1
4	SP + 1	Rtn hi	1
5	SP + 2	Rtn lo	1

SBA

Subtract Accumulators

SBA

Operation: $ACCA \leftarrow (ACCA) - (ACCB)$

Description: Subtracts the contents of ACCB from the contents of ACCA and places the result in ACCA. The contents of ACCB are not affected. For subtract instructions, the C bit in the CCR represents a borrow.

Condition Codes and Boolean Formulae:

S	X	H	I	N	Z	V	C
—	—	—	—	↕	↕	↕	↕

N $R7$

Set if MSB of result is set; cleared otherwise.

Z $\overline{R7} \cdot \overline{R6} \cdot \overline{R5} \cdot \overline{R4} \cdot \overline{R3} \cdot \overline{R2} \cdot \overline{R1} \cdot \overline{R0}$

Set if result is \$00; cleared otherwise.

V $A7 \cdot \overline{B7} \cdot \overline{R7} + \overline{A7} \cdot B7 \cdot R7$

Set if a twos complement overflow resulted from the operation; cleared otherwise.

C $\overline{A7} \cdot B7 + B7 \cdot R7 + R7 \cdot \overline{A7}$

Set if the absolute value of ACCB is larger than the absolute value of ACCA; cleared otherwise.

Source Form: SBA

Addressing Modes, Machine Code, and Cycle-by-Cycle Execution:

Cycle	SBA (INH)		
	Addr	Data	R/W
1	OP	10	1
2	OP + 1	—	1

SBC

Subtract with Carry

SBC

Operation: $ACCX \leftarrow (ACCX) - (M) - (C)$

Description: Subtracts the contents of M and the contents of C from the contents of ACCX and places the result in ACCX. For subtract instructions, the C bit in the CCR represents a borrow.

**Condition Codes
and Boolean
Formulae:**

S	X	H	I	N	Z	V	C
—	—	—	—	↑	↑	↑	↑

N R7

Set if MSB of result is set; cleared otherwise.

Z $\overline{R7} \cdot \overline{R6} \cdot \overline{R5} \cdot \overline{R4} \cdot \overline{R3} \cdot \overline{R2} \cdot \overline{R1} \cdot \overline{R0}$

Set if result is \$00; cleared otherwise.

V $X7 \cdot \overline{M7} \cdot \overline{R7} + \overline{X7} \cdot M7 \cdot R7$

Set if a twos complement overflow resulted from the operation; cleared otherwise.

C $\overline{X7} \cdot M7 + M7 \cdot R7 + R7 \cdot \overline{X7}$

Set if the absolute value of the contents of memory plus previous carry is larger than the absolute value of the accumulator; cleared otherwise.

Source Forms: SBCA (opr); SBCB (opr)

Addressing Modes, Machine Code, and Cycle-by-Cycle Execution:

Cycle	SBCA (IMM)			SBCA (DIR)			SBCA (EXT)			SBCA (IND,X)			SBCA (IND,Y)		
	Addr	Data	R/W	Addr	Data	R/W	Addr	Data	R/W	Addr	Data	R/W	Addr	Data	R/W
1	OP	82	1	OP	92	1	OP	B2	1	OP	A2	1	OP	18	1
2	OP + 1	ii	1	OP + 1	dd	1	OP + 1	hh	1	OP + 1	ff	1	OP + 1	A2	1
3				00dd	(00dd)	1	OP + 2	ll	1	FFFF	—	1	OP + 2	ff	1
4							hhll	(hhll)	1	X + ff	(X + ff)	1	FFFF	—	1
5										Y + ff	(Y + ff)	1	Y + ff	(Y + ff)	1

Cycle	SBCB (IMM)			SBCB (DIR)			SBCB (EXT)			SBCB (IND,X)			SBCB (IND,Y)		
	Addr	Data	R/W	Addr	Data	R/W	Addr	Data	R/W	Addr	Data	R/W	Addr	Data	R/W
1	OP	C2	1	OP	D2	1	OP	F2	1	OP	E2	1	OP	18	1
2	OP + 1	ii	1	OP + 1	dd	1	OP + 1	hh	1	OP + 1	ff	1	OP + 1	E2	1
3				00dd	(00dd)	1	OP + 2	ll	1	FFFF	—	1	OP + 2	ff	1
4							hhll	(hhll)	1	X + ff	(X + ff)	1	FFFF	—	1
5										Y + ff	(Y + ff)	1	Y + ff	(Y + ff)	1

SEC

Set Carry

SEC

Operation: C bit \leftarrow 1

Description: Sets the C bit in the CCR.

**Condition Codes
and Boolean
Formulae:**

S	X	H	I	N	Z	V	C
—	—	—	—	—	—	—	1

C 1
Set

Source Form: SEC

Addressing Modes, Machine Code, and Cycle-by-Cycle Execution:

Cycle	SEC (INH)		
	Addr	Data	R/W
1	OP	0D	1
2	OP + 1	—	1

SEI

Set Interrupt Mask

SEI

Operation: I bit \leftarrow 1

Description: Sets the interrupt mask bit in the CCR. When the I bet is set, all maskable interrupts are inhibited, and the MPU will recognize only non-maskable interrupt sources or an SWI.

**Condition Codes
and Boolean
Formulae:**

S	X	H	I	N	Z	V	C
—	—	—	1	—	—	—	—

I 1
Set

Source Form: SEI

Addressing Modes, Machine Code, and Cycle-by-Cycle Execution:

Cycle	SEI (INH)		
	Addr	Data	R/W
1	OP	0F	1
2	OP + 1	—	1

SEV

Set Two's Complement Overflow Bit

SEV

Operation: $V \text{ bit} \leftarrow 1$

Description: Sets the twos complement overflow bit in the CCR.

**Condition Codes
and Boolean
Formulae:**

S	X	H	I	N	Z	V	C
—	—	—	—	—	—	1	—

$V = 1$
Set

Source Form: SEV

Addressing Modes, Machine Code, and Cycle-by-Cycle Execution:

Cycle	SEV (INH)		
	Addr	Data	R/W
1	OP	0B	1
2	OP + 1	—	1

STA

Store Accumulator

STA

Operation: $M \leftarrow (ACCX)$

Description: Stores the contents of ACCX in memory. The contents of ACCX remain the same.

**Condition Codes
and Boolean
Formulae:**

S	X	H	I	N	Z	V	C
—	—	—	—	⇕	⇕	0	—

N X7

Set if MSB of result is set; cleared otherwise.

Z $\overline{X7} \cdot \overline{X6} \cdot \overline{X5} \cdot \overline{X4} \cdot \overline{X3} \cdot \overline{X2} \cdot \overline{X1} \cdot \overline{X0}$

Set if result is \$00; cleared otherwise.

V 0

Cleared

Source Forms: STAA (opr); STAB (opr)

Addressing Modes, Machine Code, and Cycle-by-Cycle Execution:

Cycle	STAA (DIR)			STAA (EXT)			STAA (IND,X)			STAA (IND,Y)		
	Addr	Data	R/W	Addr	Data	R/W	Addr	Data	R/W	Addr	Data	R/W
1	OP	97	1	OP	B7	1	OP	A7	1	OP	18	1
2	OP + 1	dd	1	OP + 1	hh	1	OP + 1	ff	1	OP + 1	A7	1
3	00dd	(A)	0	OP + 2	ll	1	FFFF	—	1	OP + 2	ff	1
4				hhll	(A)	0	X + ff	(A)	0	FFFF	—	1
5										Y + ff	(A)	0

Cycle	STAB (DIR)			STAB (EXT)			STAB (IND,X)			STAB (IND,Y)		
	Addr	Data	R/W	Addr	Data	R/W	Addr	Data	R/W	Addr	Data	R/W
1	OP	D7	1	OP	F7	1	OP	E7	1	OP	18	1
2	OP + 1	dd	1	OP + 1	hh	1	OP + 1	ff	1	OP + 1	E7	1
3	00dd	(B)	0	OP + 2	ll	1	FFFF	—	1	OP + 2	ff	1
4				hhll	(B)	0	X + ff	(B)	0	FFFF	—	1
5										Y + ff	(B)	0

STD

Store Double Accumulator

STD

Operation: $M : M + 1 \leftarrow (\text{ACCD}); M \leftarrow (\text{ACCA}), M + 1 \leftarrow (\text{ACCB})$

Description: Stores the contents of double accumulator ACCD in memory. The contents of ACCD remain unchanged.

Condition Codes and Boolean Formulae:

S	X	H	I	N	Z	V	C
—	—	—	—	↑↓	↑↓	0	—

N D15

Set if MSB of result is set; cleared otherwise.

Z $\overline{D15} \cdot \overline{D14} \cdot \overline{D13} \cdot \overline{D12} \cdot \overline{D11} \cdot \overline{D10} \cdot \overline{D9} \cdot \overline{D8} \cdot \overline{D7} \cdot \overline{D6} \cdot \overline{D5} \cdot \overline{D4} \cdot \overline{D3} \cdot \overline{D2} \cdot \overline{D1} \cdot \overline{D0}$

Set if result is \$0000; cleared otherwise.

V 0

Cleared

Source Form: STD (opr)

Addressing Modes, Machine Code, and Cycle-by-Cycle Execution:

Cycle	STD (DIR)			STD (EXT)			STD (IND,X)			STD (IND,Y)		
	Addr	Data	R/W	Addr	Data	R/W	Addr	Data	R/W	Addr	Data	R/W
1	OP	DD	1	OP	FD	1	OP	ED	1	OP	18	1
2	OP + 1	dd	1	OP + 1	hh	1	OP + 1	ff	1	OP + 1	ED	1
3	00dd	(A)	0	OP + 2	ll	1	FFFF	—	1	OP + 2	ff	1
4	00dd + 1	(B)	0	hhll	(A)	0	X + ff	(A)	0	FFFF	—	1
5				hhll + 1	(B)	0	X + ff + 1	(B)	0	Y + ff	(A)	0
6										Y + ff + 1	(B)	0

STOP

Stop Processing

STOP

Description: If the S bit in the CCR is set, then the STOP instruction is disabled and operates like the NOP instruction. If the S bit in the CCR is clear, the STOP instruction causes all system clocks to halt, and the system is placed in a minimum-power standby mode. All CPU registers remain unchanged. I/O pins also remain unaffected.

Recovery from STOP may be accomplished by $\overline{\text{RESET}}$, $\overline{\text{XIRQ}}$, or an unmasked $\overline{\text{IRQ}}$. When recovering from STOP with $\overline{\text{XIRQ}}$, if the X bit in the CCR is clear, execution will resume with the stacking operations for the $\overline{\text{XIRQ}}$ interrupt. If the X bit in the CCR is set, masking $\overline{\text{XIRQ}}$ interrupts, execution will resume with the opcode fetch for the instruction which follows the STOP instruction (continue).

An error in some mask sets of the M68HC11 caused incorrect recover from STOP under very specific unusual conditions. If the opcode of the instruction before the STOP instruction came from column 4 or 5 of the opcode map, the STOP instruction was incorrectly interpreted as a 2-byte instruction. A simple way to avoid this potential problem is to put a NOP instruction (which is a column 0 opcode) immediately before any STOP instruction.

**Condition Codes
and Boolean
Formulae:**

S	X	H	I	N	Z	V	C
—	—	—	—	—	—	—	—

None affected

Source Form: STOP

Addressing Modes, Machine Code, and Cycle-by-Cycle Execution:

Cycle	STOP (INH)		
	Addr	Data	R/W
1	OP	CF	1
2	OP + 1	—	1

STS

Store Stack Pointer

STS

Operation: $M \leftarrow (\text{SPH}), M + 1 \leftarrow (\text{SPL})$

Description: Stores the most significant byte of the stack pointer in memory at the address specified by the program and stores the least significant byte of the stack pointer at the next location in memory, at one plus the address specified by the program.

Condition Codes and Boolean Formulae:

S	X	H	I	N	Z	V	C
—	—	—	—	↕	↕	0	—

N SP15

Set if MSB of result is set; cleared otherwise.

Z $\overline{\text{SP15}} \cdot \overline{\text{SP14}} \cdot \overline{\text{SP13}} \cdot \overline{\text{SP12}} \cdot \overline{\text{SP11}} \cdot \overline{\text{SP10}} \cdot \overline{\text{SP9}} \cdot \overline{\text{SP8}} \cdot \overline{\text{SP7}} \cdot \overline{\text{SP6}} \cdot \overline{\text{SP5}} \cdot \overline{\text{SP4}} \cdot \overline{\text{SP3}} \cdot \overline{\text{SP2}} \cdot \overline{\text{SP1}} \cdot \overline{\text{SP0}}$

Set if result is \$0000; cleared otherwise.

V 0

Cleared

Source Form: STS (opr)

Addressing Modes, Machine Code, and Cycle-by-Cycle Execution:

Cycle	STS (DIR)			STS (EXT)			STS (IND,X)			STS (IND,Y)		
	Addr	Data	R/W	Addr	Data	R/W	Addr	Data	R/W	Addr	Data	R/W
1	OP	9F	1	OP	BF	1	OP	AF	1	OP	18	1
2	OP + 1	dd	1	OP + 1	hh	1	OP + 1	ff	1	OP + 1	AF	1
3	00dd	(SPH)	0	OP + 2	ll	1	FFFF	—	1	OP + 2	ff	1
4	00dd + 1	(SPL)	0	hhll	(SPH)	0	X + ff	(SPH)	0	FFFF	—	1
5				hhll + 1	(SPL)	0	X + ff + 1	(SPL)	0	Y + ff	(SPH)	0
6										Y + ff + 1	(SPL)	0

STX

Store Index Register X

STX

Operation: $M \leftarrow (IXH), M + 1 \leftarrow (IXL)$

Description: Stores the most significant byte of index register X in memory at the address specified by the program, and stores the least significant byte of index register X at the next location in memory, at one plus the address specified by the program.

Condition Codes and Boolean Formulae:

S	X	H	I	N	Z	V	C
—	—	—	—	↕	↕	0	—

N IX15

Set if MSB of result is set; cleared otherwise.

Z $\overline{IX15} \cdot \overline{IX14} \cdot \overline{IX13} \cdot \overline{IX12} \cdot \overline{IX11} \cdot \overline{IX10} \cdot \overline{IX9} \cdot \overline{IX8} \cdot \overline{IX7} \cdot \overline{IX6} \cdot \overline{IX5} \cdot \overline{IX4} \cdot \overline{IX3} \cdot \overline{IX2} \cdot \overline{IX1} \cdot \overline{IX0}$

Set if result is \$0000; cleared otherwise.

V 0

Cleared

Source Form: STX (opr)

Addressing Modes, Machine Code, and Cycle-by-Cycle Execution:

Cycle	STX (DIR)			STX (EXT)			STX (IND,X)			STX (IND,Y)		
	Addr	Data	R/W	Addr	Data	R/W	Addr	Data	R/W	Addr	Data	R/W
1	OP	DF	1	OP	FF	1	OP	EF	1	OP	CD	1
2	OP + 1	dd	1	OP + 1	hh	1	OP + 1	ff	1	OP + 1	EF	1
3	00dd	(IXH)	0	OP + 2	ll	1	FFFF	—	1	OP + 2	ff	1
4	00dd + 1	(IXL)	0	hhll	(IXH)	0	X + ff	(IXH)	0	FFFF	—	1
5				hhll + 1	(IXL)	0	X + ff + 1	(IXL)	0	Y + ff	(IXH)	0
6										Y + ff + 1	(IXL)	0

STY

Store Index Register Y

STY

Operation: $M \leftarrow (IYH), M + 1 \leftarrow (IYL)$

Description: Stores the most significant byte of index register Y in memory at the address specified by the program, and stores the least significant byte of index register Y at the next location in memory, at one plus the address specified by the program.

Condition Codes and Boolean Formulae:

S	X	H	I	N	Z	V	C
—	—	—	—	⇕	⇕	0	—

N IY15

Set if MSB of result is set; cleared otherwise.

Z $\overline{IY15} \cdot \overline{IY14} \cdot \overline{IY13} \cdot \overline{IY12} \cdot \overline{IY11} \cdot \overline{IY10} \cdot \overline{IY9} \cdot \overline{IY8} \cdot \overline{IY7} \cdot \overline{IY6} \cdot \overline{IY5} \cdot \overline{IY4} \cdot \overline{IY3} \cdot \overline{IY2} \cdot \overline{IY1} \cdot \overline{IY0}$

Set if result is \$0000; cleared otherwise.

V 0

Cleared

Source Form: STY (opr)

Addressing Modes, Machine Code, and Cycle-by-Cycle Execution:

Cycle	STY (DIR)			STY (EXT)			STY (IND,X)			STY (IND,Y)		
	Addr	Data	R/W	Addr	Data	R/W	Addr	Data	R/W	Addr	Data	R/W
1	OP	18	1	OP	18	1	OP	1A	1	OP	18	1
2	OP + 1	DF	1	OP + 1	FF	1	OP + 1	EF	1	OP + 1	EF	1
3	OP + 2	dd	1	OP + 2	hh	1	OP + 2	ff	1	OP + 2	ff	1
4	00dd	(IYH)	0	OP + 3	ll	1	FFFF	—	1	FFFF	—	1
5	00dd + 1	(IYL)	0	hhll	(IYH)	0	X + ff	(IYH)	0	Y + ff	(IYH)	0
6				hhll + 1	(IHL)	0	X + ff + 1	(IYL)	0	Y + ff + 1	(IYL)	0

SUB

Subtract

SUB

Operation: $ACCX \leftarrow (ACCX) - (M)$

Description: Subtracts the contents of M from the contents of ACCX and places the result in ACCX. For subtract instructions, the C bit in the CCR represents a borrow.

**Condition Codes
and Boolean
Formulae:**

S	X	H	I	N	Z	V	C
—	—	—	—	⇕	⇕	⇕	⇕

N R7

Set if MSB of result is set; cleared otherwise.

Z $\overline{R7} \cdot \overline{R6} \cdot \overline{R5} \cdot \overline{R4} \cdot \overline{R3} \cdot \overline{R2} \cdot \overline{R1} \cdot \overline{R0}$

Set if result is \$00; cleared otherwise.

V $X7 \cdot \overline{M7} \cdot \overline{R7} + \overline{X7} \cdot M7 \cdot R7$

Set if a twos complement overflow resulted from the operation; cleared otherwise.

C $\overline{X7} \cdot M7 + M7 \cdot R7 + R7 \cdot \overline{X7}$

Set if the absolute value of the contents of memory plus previous carry is larger than the absolute value of the accumulator; cleared otherwise.

Source Forms: SUBA (opr); SUBB (opr)

Addressing Modes, Machine Code, and Cycle-by-Cycle Execution:

Cycle	SUBA (IMM)			SUBA (DIR)			SUBA (EXT)			SUBA (IND,X)			SUBA (IND,Y)		
	Addr	Data	R/W	Addr	Data	R/W	Addr	Data	R/W	Addr	Data	R/W	Addr	Data	R/W
1	OP	80	1	OP	90	1	OP	B0	1	OP	A0	1	OP	18	1
2	OP + 1	ii	1	OP + 1	dd	1	OP + 1	hh	1	OP + 1	ff	1	OP + 1	A0	1
3				00dd	(00dd)	1	OP + 2	ll	1	FFFF	—	1	OP + 2	ff	1
4							hhll	(hhll)	1	X + ff	(X + ff)	1	FFFF	—	1
5													Y + ff	(Y + ff)	1

Cycle	SUBB (IMM)			SUBB (DIR)			SUBB (EXT)			SUBB (IND,X)			SUBB (IND,Y)		
	Addr	Data	R/W	Addr	Data	R/W	Addr	Data	R/W	Addr	Data	R/W	Addr	Data	R/W
1	OP	C0	1	OP	D0	1	OP	F0	1	OP	E0	1	OP	18	1
2	OP + 1	ii	1	OP + 1	dd	1	OP + 1	hh	1	OP + 1	ff	1	OP + 1	E0	1
3				00dd	(00dd)	1	OP + 2	ll	1	FFFF	—	1	OP + 2	ff	1
4							hhll	(hhll)	1	X + ff	(X + ff)	1	FFFF	—	1
5													Y + ff	(Y + ff)	1

SUBD

Subtract Double Accumulator

SUBD

Operation: $ACCD \leftarrow (ACCD) - (M : M + 1)$

Description: Subtracts the contents of $M : M + 1$ from the contents of double accumulator D and places the result in ACCD. For subtract instructions, the C bit in the CCR represents a borrow.

Condition Codes and Boolean Formulae:

S	X	H	I	N	Z	V	C
—	—	—	—	↕	↕	↕	↕

N R15

Set if MSB of result is set; cleared otherwise.

Z $\overline{R15} \cdot \overline{R14} \cdot \overline{R13} \cdot \overline{R12} \cdot \overline{R11} \cdot \overline{R10} \cdot \overline{R9} \cdot \overline{R8} \cdot \overline{R7} \cdot \overline{R6} \cdot \overline{R5} \cdot \overline{R4} \cdot \overline{R3} \cdot \overline{R2} \cdot \overline{R1} \cdot \overline{R0}$

Set if result is \$0000; cleared otherwise.

V $D15 \cdot \overline{M15} \cdot \overline{R15} + \overline{D15} \cdot M15 \cdot R15$

Set if a twos complement overflow resulted from the operation; cleared otherwise.

C $\overline{D15} \cdot M15 + M15 \cdot R15 + R15 \cdot \overline{D15}$

Set if the absolute value of the contents of memory is larger than the absolute value of the accumulator; cleared otherwise.

Source Form: SUBD (opr)

Addressing Modes, Machine Code, and Cycle-by-Cycle Execution:

Cycle	SUBD (IMM)			SUBD (DIR)			SUBD (EXT)			SUBD (IND,X)			SUBD (IND,Y)		
	Addr	Data	R/W	Addr	Data	R/W	Addr	Data	R/W	Addr	Data	R/W	Addr	Data	R/W
1	OP	83	1	OP	93	1	OP	B3	1	OP	A3	1	OP	18	1
2	OP + 1	jj	1	OP + 1	dd	1	OP + 1	hh	1	OP + 1	ff	1	OP + 1	A3	1
3	OP + 2	kk	1	00dd	(00dd)	1	OP + 2	ll	1	FFFF	—	1	OP + 2	ff	1
4	FFFF	—	1	00dd + 1	(00dd + 1)	1	hhll	(hhll)	1	X + ff	(X + ff)	1	FFFF	—	1
5				FFFF	—	1	hhll + 1	(hhll + 1)	1	X + ff + 1	(X + ff + 1)	1	Y + ff	(Y + ff)	1
6							FFFF	—	1	FFFF	—	1	Y + ff + 1	(Y + ff + 1)	1
7													FFFF	—	1

SWI

Software Interrupt

SWI

Operation: $PC \leftarrow (PC) + \$0001$
 $\downarrow (PCL), SP \leftarrow (SP) - \0001
 $\downarrow (PCH), SP \leftarrow (SP) - \0001
 $\downarrow (IYL), SP \leftarrow (SP) - \0001
 $\downarrow (IYH), SP \leftarrow (SP) - \0001
 $\downarrow (IXL), SP \leftarrow (SP) - \0001
 $\downarrow (IXH), SP \leftarrow (SP) - \0001
 $\downarrow (ACCA), SP \leftarrow (SP) - \0001
 $\downarrow (ACCB), SP \leftarrow (SP) - \0001
 $\downarrow (CCR), SP \leftarrow (SP) - \0001
 $I \leftarrow 1, PC \leftarrow (\text{SWI vector})$

Description: The program counter is incremented by one. The program counter, index registers Y and X, and accumulators A and B are pushed onto the stack. The CCR is then pushed onto the stack. The stack pointer is decremented by one after each byte of data is stored on the stack. The I bit in the CCR is then set. The program counter is loaded with the address stored at the SWI vector, and instruction execution resumes at this location. This instruction is not maskable by the I bit.

**Condition Codes
and Boolean
Formulae:**

S	X	H	I	N	Z	V	C
—	—	—	1	—	—	—	—

I 1
Set

Source Form: SWI

Addressing Modes, Machine Code, and Cycle-by-Cycle Execution:

Cycle	SWI (INH)		
	Addr	Data	R/W
1	OP	3F	1
2	OP + 1	—	1
3	SP	Rtn lo	0
4	SP - 1	Rtn hi	0
5	SP - 2	(IYL)	0
6	SP - 3	(IYH)	0
7	SP - 4	(IXL)	0
8	SP - 5	(IXH)	0
9	SP - 6	(A)	0
10	SP - 7	(B)	0
11	SP - 8	(CCR)	0
12	SP - 8	(CCR)	1
13	Vec hi	Svc hi	1
14	Vec lo	Svc lo	1

TAB

Transfer from Accumulator A to B

TAB

Operation: $ACCB \leftarrow (ACCA)$

Description: Moves the contents of ACCA to ACCB. The former contents of ACCB are lost; the contents of ACCA are not affected.

Condition Codes and Boolean Formulae:

S	X	H	I	N	Z	V	C
—	—	—	—	↕	↕	0	—

N R7

Set if MSB of result is set; cleared otherwise.

Z $\overline{R7} \cdot \overline{R6} \cdot \overline{R5} \cdot \overline{R4} \cdot \overline{R3} \cdot \overline{R2} \cdot \overline{R1} \cdot \overline{R0}$

Set if result is \$00; cleared otherwise.

V 0

Cleared.

Source Form: TAB

Addressing Modes, Machine Code, and Cycle-by-Cycle Execution:

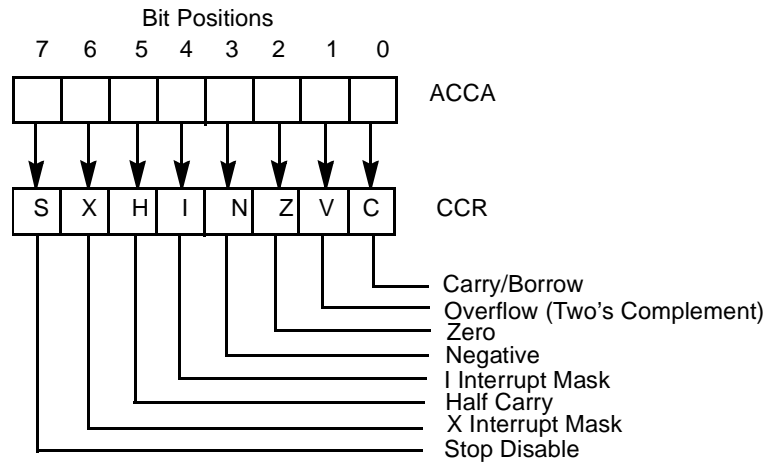
Cycle	TAB (INH)		
	Addr	Data	R/W
1	OP	16	1
2	OP + 1	—	1

TAP

Transfer from Accumulator A to CCR

TAP

Operation: CCR \leftarrow (ACCA)



Description: Transfers the contents of bit positions 7–0 of accumulator A to the corresponding bit positions of the CCR. The contents of accumulator A remain unchanged. The X bit in the CCR may be cleared as a result of a TAP instruction but may not be set if it was clear prior to execution of the TAP instruction.

Condition Codes and Boolean Formulae:

S	X	H	I	N	Z	V	C
↕	↓	↕	↕	↕	↕	↕	↕

Condition code bits take on the value of the corresponding bit of accumulator A except that the X bit may not change from a 0 to a 1. Software can leave X set, leave X clear, or change X from 1 to 0. The XIRQ interrupt mask can become set only as a result of a reset or recognition of an $\overline{\text{XIRQ}}$ interrupt.

Source Form: TAP

Addressing Modes, Machine Code, and Cycle-by-Cycle Execution:

Cycle	TAP (INH)		
	Addr	Data	R/W
1	OP	06	1
2	OP + 1	—	1

TBA

Transfer from Accumulator B to A

TBA

Operation: $ACCA \leftarrow (ACCB)$

Description: Moves the contents of ACCB to ACCA. The former contents of ACCA are lost; the contents of ACCB are not affected.

Condition Codes and Boolean Formulae:

S	X	H	I	N	Z	V	C
—	—	—	—	↕	↕	0	—

N R7

Set if MSB of result is set; cleared otherwise.

Z $\overline{R7} \cdot \overline{R6} \cdot \overline{R5} \cdot \overline{R4} \cdot \overline{R3} \cdot \overline{R2} \cdot \overline{R1} \cdot \overline{R0}$

Set if result is \$00; cleared otherwise.

V 0

Cleared.

Source Form: TBA

Addressing Modes, Machine Code, and Cycle-by-Cycle Execution:

Cycle	TBA (INH)		
	Addr	Data	R/W
1	OP	17	1
2	OP + 1	—	1

TEST

Test Operation (Test Mode Only)

TEST

Description: This is a single-byte instruction that causes the program counter to be continuously incremented. It can be executed only while in the test mode. The MCU must be reset to exit this instruction. Code execution is suspended during this instruction. This is an illegal opcode when not in test mode.

**Condition Codes
and Boolean
Formulae:**

S	X	H	I	N	Z	V	C
—	—	—	—	—	—	—	—

None affected

Source Form: TEST

Addressing Modes, Machine Code, and Cycle-by-Cycle Execution:

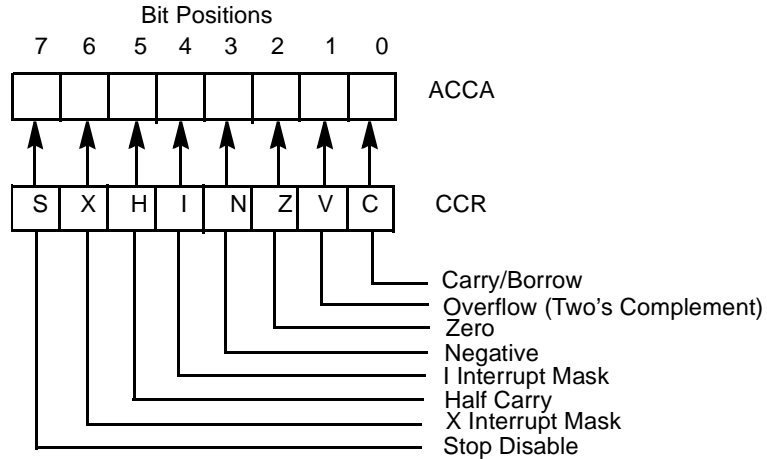
Cycle	TEST (INH)		
	Addr	Data	R/W
1	OP	00	1
2	OP + 1	—	1
3	OP + 2	—	1
4	OP + 3	—	1
5-n	PREV-1	(PREV-1)	1

TPA

Transfer from CCR to Accumulator A

TPA

Operation: ACCA \leftarrow (CCR)



Description: Transfers the contents of the CCR to corresponding bit positions of accumulator A. The CCR remains unchanged.

Condition Codes and Boolean Formulae:

S	X	H	I	N	Z	V	C
—	—	—	—	—	—	—	—

None affected

Source Form: TPA

Addressing Modes, Machine Code, and Cycle-by-Cycle Execution:

Cycle	TPA (INH)		
	Addr	Data	R/W
1	OP	07	1
2	OP + 1	—	1

TST

Test

TST

Operation: (ACCX) – \$00 or: (M) – \$00

Description: Subtracts \$00 from the contents of ACCX or M and sets the condition codes accordingly.

The subtraction is accomplished internally without modifying either ACCX or M.

The TST instruction provides only minimum information when testing unsigned values. Since no unsigned value is less than zero, BLO and BLS have no utility. While BHI could be used after TST, it provides exactly the same control as BNE, which is preferred. After testing signed values, all signed branches are available.

Condition Codes and Boolean Formulae:

S	X	H	I	N	Z	V	C
—	—	—	—	↑	↑	0	0

N R7

Set if MSB of result is set; cleared otherwise.

Z $\overline{M7} \cdot \overline{M6} \cdot \overline{M5} \cdot \overline{M4} \cdot \overline{M3} \cdot \overline{M2} \cdot \overline{M1} \cdot \overline{M0}$

Set if result is \$00; cleared otherwise.

V 0

Cleared

C 0

Cleared

Source Forms: TSTA; TSTB; TST (opr)

Addressing Modes, Machine Code, and Cycle-by-Cycle Execution:

Cycle	TSTA (INH)			TSTB (INH)			TST (EXT)			TST (IND,X)			TST (IND,Y)		
	Addr	Data	R/W	Addr	Data	R/W	Addr	Data	R/W	Addr	Data	R/W	Addr	Data	R/W
1	OP	4D	1	OP	5D	1	OP	7D	1	OP	6D	1	OP	18	1
2	OP + 1	—	1	OP + 1	—	1	OP + 1	hh	1	OP + 1	ff	1	OP + 1	6D	1
3							OP + 2	ll	1	FFFF	—	1	OP + 2	ff	1
4							hhll	(hhll)	1	X + ff	(X + ff)	1	FFFF	—	1
5							FFFF	—	1	FFFF	—	1	Y + ff	(Y + ff)	1
6							FFFF	—	1	FFFF	—	1	FFFF	—	1
7										FFFF	—	1	FFFF	—	1

TSX

Transfer from SP to Index Register X

TSX

Operation: $IX \leftarrow (SP) + \$0001$

Description: Loads the index register X with one plus the contents of the stack pointer. The contents of the stack pointer remain unchanged. After a TSX instruction, the index register X points at the last value that was stored on the stack.

Condition Codes and Boolean Formulae:

S	X	H	I	N	Z	V	C
—	—	—	—	—	—	—	—

None affected

Source Form: TSX

Addressing Modes, Machine Code, and Cycle-by-Cycle Execution:

Cycle	TSX (INH)		
	Addr	Data	R/W
1	OP	30	1
2	OP + 1	—	1
3	SP	—	1

TSY

Transfer from SP to Index Register Y

TSY

Operation: $IY \leftarrow (SP) + \$0001$

Description: Loads the index register Y with one plus the contents of the stack pointer. The contents of the stack pointer remain unchanged. After a TSY instruction, the index register Y points at the last value that was stored on the stack.

**Condition Codes
and Boolean
Formulae:**

S	X	H	I	N	Z	V	C
—	—	—	—	—	—	—	—

None affected

Source Form: TSY

Addressing Modes, Machine Code, and Cycle-by-Cycle Execution:

Cycle	TSY (INH)		
	Addr	Data	R/W
1	OP	18	1
2	OP + 1	30	1
3	OP + 2	—	1
4	SP	—	1

TXS

Transfer from Index Register X to SP

TXS

Operation: $SP \leftarrow (IX) - \$0001$

Description: Loads the stack pointer with the contents of index register X minus one. The contents of index register X remain unchanged.

Condition Codes and Boolean Formulae:

S	X	H	I	N	Z	V	C
—	—	—	—	—	—	—	—

None affected

Source Form: TXS

Addressing Modes, Machine Code, and Cycle-by-Cycle Execution:

Cycle	TXS (INH)		
	Addr	Data	R/W
1	OP	35	1
2	OP + 1	—	1
3	FFFF	—	1

TYS

Transfer from Index Register Y to SP

TYS

Operation: $SP \leftarrow (IY) - \$0001$

Description: Loads the stack pointer with the contents of index register Y minus one. The contents of index register Y remain unchanged.

**Condition Codes
and Boolean
Formulae:**

S	X	H	I	N	Z	V	C
—	—	—	—	—	—	—	—

None affected

Source Form: TYS

Addressing Modes, Machine Code, and Cycle-by-Cycle Execution:

Cycle	TYS (INH)		
	Addr	Data	R/W
1	OP	18	1
2	OP + 1	35	1
3	OP + 2	—	1
4	FFFF	—	1

WAI

Wait for Interrupt

WAI

Operation: $PC \leftarrow (PC) + \$0001$
 $\Downarrow (PCL), SP \leftarrow (SP) - \0001
 $\Downarrow (PCH), SP \leftarrow (SP) - \0001
 $\Downarrow (IYL), SP \leftarrow (SP) - \0001
 $\Downarrow (IYH), SP \leftarrow (SP) - \0001
 $\Downarrow (IXL), SP \leftarrow (SP) - \0001
 $\Downarrow (IXH), SP \leftarrow (SP) - \0001
 $\Downarrow (ACCA), SP \leftarrow (SP) - \0001
 $\Downarrow (ACCB), SP \leftarrow (SP) - \0001
 $\Downarrow (CCR), SP \leftarrow (SP) - \0001

Description: The program counter is incremented by one. The program counter, index registers Y and X, and accumulators A and B are pushed onto the stack. The CCR is then pushed onto the stack. The stack pointer is decremented by one after each byte of data is stored on the stack.

The MPU then enters a wait state for an integer number of MCU E-clock cycles. While in the wait state, the address/data bus repeatedly runs read bus cycles to the address where the CCR contents were stacked. The MCU leaves the wait state when it senses any interrupt that has not been masked.

Upon leaving the wait state, the MCU sets the I bit in the CCR, fetches the vector (address) corresponding to the interrupt sensed, and instruction execution is resumed at this location.

**Condition Codes
and Boolean
Formulae:**

S	X	H	I	N	Z	V	C
—	—	—	—	—	—	—	—

Although the WAI instruction itself does not alter the condition code bits, the interrupt which causes the MCU to resume processing causes the I bit (and the X bit if the interrupt was \overline{XIRQ}) to be set as the interrupt vector is being fetched.

WAI

Wait for Interrupt (Continued)

WAI

Source Form: WAI

Addressing Modes, Machine Code, and Cycle-by-Cycle Execution:

Cycle	WAI (INH)		
	Addr	Data	R/W
1	OP	3E	1
2	OP + 1	—	1
3	SP	Rtn lo	0
4	SP - 1	Rtn hi	0
5	SP - 2	(IYL)	0
6	SP - 3	(IYH)	0
7	SP - 4	(IXL)	0
8	SP - 5	(IXH)	0
9	SP - 6	(A)	0
10	SP - 7	(B)	0
11	SP - 8	(CCR)	0
12 to 12 + n	SP - 8	(CCR)	1
13 + n	Vec hi	Svc hi	1
14 + n	Vec lo	Svc lo	1

XGDX

Exchange Double Accumulator and Index Register X

XGDX

Operation: (IX) \Leftrightarrow (ACCD)

Description: Exchanges the contents of double accumulator ACCD and the contents of index register X. A common use for XGDX is to move an index value into the double accumulator to allow 16-bit arithmetic calculations on the index value before exchanging the updated index value back into the X index register.

Condition Codes and Boolean Formulae:

S	X	H	I	N	Z	V	C
—	—	—	—	—	—	—	—

None affected

Source Form: XGDX

Addressing Modes, Machine Code, and Cycle-by-Cycle Execution:

Cycle	XGDX (INH)		
	Addr	Data	R/W
1	OP	8F	1
2	OP + 1	—	1
3	FFFF	—	1

XGDY

Exchange Double Accumulator and Index Register Y

XGDY

Operation: (IY) \Leftrightarrow (ACCD)

Description: Exchanges the contents of double accumulator ACCD and the contents of index register Y. A common use for XGDY is to move an index value into the double accumulator to allow 16-bit arithmetic calculations on the index value before exchanging the updated index value back into the Y index register.

Condition Codes and Boolean

Formulae:

S	X	H	I	N	Z	V	C
—	—	—	—	—	—	—	—

None affected

Source Form: XGDY

Addressing Modes, Machine Code, and Cycle-by-Cycle Execution:

Cycle	XGDY (INH)		
	Addr	Data	R/W
1	OP	18	1
2	OP + 1	8F	1
3	OP + 2	—	1
4	FFFF	—	1

Appendix B. Bootloader Listings

This appendix contains source code listings of the internal bootloader read-only memories (ROMs) for several members of the M68HC11 Family.

Family	Security Option	Page
MC68HC11A8	No	604
MC68HC11A8	Yes	607
MC68HC811E2	No	611
MC68HC811E2	Yes	614
MC68HC11E9	No	619
MC68HC11E9	Yes	622
MC68HC11F1	No	627

Listings of other M68HC11 Family bootloader ROMs can be found in the application note entitled *M68HC11 Bootstrap Mode* (Motorola document number AN1060) which is available from the Motorola Literature Distribution Center, as well as the Worldwide Web at <http://www.motorola.com/semiconductors/>.

```

* BOOTLOADER FIRMWARE FOR MC68HC11A8 W/O SECURITY
*****
* Thu Dec 11 18:46:19 CST 1986
*****
* EQUATES FOR USE WITH INDEX OFFSET = $1000

0008          PORTD    EQU    $08
0009          DDRD     EQU    $09
0028          SPCR     EQU    $28          (FOR DWOM BIT)
002b          BAUD     EQU    $2B
002c          SCCR1    EQU    $2C
002d          SCCR2    EQU    $2D
002e          SCSR     EQU    $2E
002f          SCDAT    EQU    $2F
003b          PPROG    EQU    $3B
003e          TEST1    EQU    $3E
003f          CONFIG   EQU    $3F

* MORE EQUATES
*
b600          EEPSTR   EQU    $B600          START OF EEPROM
b7ff          EEPEND   EQU    $B7FF          END OF EEPROM
*****
* THIS BOOTSTRAP PROGRAM ALLOWS THE USER TO
* DOWNLOAD A PROGRAM OF EXACTLY 256 BYTES.
* THE PROGRAM MUST START AT $0000.
* EACH BYTE OF THE PROGRAM IS RECEIVED BY THE
* SCI, STARTING WITH THE $0000 BYTE AND WORKING
* UP TO THE $00FF BYTE.
*
* THE TRANSMITTER WILL BE USED FOR THE PURPOSE
* OF COMMUNICATION TO THE OUTSIDE WORLD.
*****
bf40          ORG      $BF40
bf40          BEGIN    EQU    *

* INIT STACK
bf40 8e 00 ff          LDS      #$00FF
* INIT X REG FOR INDEXED ACCESS TO REGISTERS
bf43 ce 10 00          LDX      #$1000
* PUT PORT D IN WIRE OR MODE
bf46 1c 28 20          BSET    SPCR,X $20
* INIT SCI AND RESTART BAUD DIVIDER CHAIN
bf49 86 a2            LDAA   #$A2          DIV BY 16
bf4b a7 2b            STAA  BAUD,X
* RECEIVER & TRANSMITTER ENABLED
bf4d 86 0c            LDAA   #$0C
bf4f a7 2d            STAA  SCCR2,X

```

Listing - MC68HC11A8 Bootloader (No Security)

Sheet 2 of 3

```

* SECURITY CODE IS REMOVED

* SEND BREAK TO SIGNAL START OF DOWNLOAD
bf51 1c 2d 01      BSET  SCCR2,X $01

* CLEAR BREAK AS SOON AS START BIT IS DETECTED
bf54 1e 08 01 fc  BRSET PORTD,X $01 *
bf58 1d 2d 01      BCLR  SCCR2,X $01    CLEAR BREAK

* WAIT FOR FIRST CHARACTER (USERS SEND $FF)
bf5b 1f 2e 20 fc  BRCLR SCSR,X $20 *   WAIT FOR RDRF
bf5f a6 2f        LDAA  SCDAT,X        READ DATA

* IF DATA = $00 (BREAK OR $00), THEN JUMP TO EEPROM
bf61 26 03        BNE  NOTZERO
bf63 7e b6 00     JMP  $B600
bf66              NOTZERO EQU      *

* IF DATA = $55, THEN SKIP DOWNLOAD (TEST MODE)
bf66 81 55        CMPA  #$55
bf68 27 1e        BEQ  STAR

* IF DATA = $FF, THEN /16 IS CORRECT BAUD
bf6a 81 ff        CMPA  #$FF
bf6c 27 03        BEQ  BAUDOK

* ELSE CHANGE TO /104 (/13 & /8) 1200 @ 2MHZ
bf6e 1c 2b 33     BSET  BAUD,X $33

* THEN DOWNLOAD 256 BYTE PROGRAM
bf71              BAUDOK EQU      *
bf71 18 ce 00 00  LDY  #$0000        INIT POINTER

* READ IN PROGRAM AND PUT INTO RAM
bf75              BK2  EQU      *
bf75 1f 2e 20 fc  BRCLR SCSR,X $20 *   WAIT FOR RDRF
bf79 a6 2f        LDAA  SCDAT,X
bf7b 18 a7 00     STAA  $00,Y
bf7e a7 2f        STAA  SCDAT,X        HANDSHAKE
bf80 18 08        INY

* UNTIL THE END IS REACHED
bf82 18 8c 01 00  CPY  #$0100
bf86 26 ed        BNE  BK2

*****
* ALL START USER'S PROGRAM
*
bf88              STAR  EQU      *
bf88 7e 00 00     JMP  $0000

```

Bootloader Listings

Listing - MC68HC11A8 Bootloader (No Security)

Sheet 3 of 3

```
bfd4                                ORG    $BFD4                NEEDED IF BOOTROM < MAX

* MASK I. D. BYTE
bfd4 00 00                          FDB    $0000
*****
* VECTORS
*
bfd6 00 c4                          FDB    $100-60            SCI
bfd8 00 c7                          FDB    $100-57            SPI
bfda 00 ca                          FDB    $100-54            PULSE ACCUM INPUT EDGE
bfdc 00 cd                          FDB    $100-51            PULSE ACCUM OVERFLOW
bfde 00 d0                          FDB    $100-48            TIMER OVERFLOW
bfe0 00 d3                          FDB    $100-45            TIMER OUTPUT COMPARE 5
bfe2 00 d6                          FDB    $100-42            TIMER OUTPUT COMPARE 4
bfe4 00 d9                          FDB    $100-39            TIMER OUTPUT COMPARE 3
bfe6 00 dc                          FDB    $100-36            TIMER OUTPUT COMPARE 2
bfe8 00 df                          FDB    $100-33            TIMER OUTPUT COMPARE 1
bfea 00 e2                          FDB    $100-30            TIMER INPUT CAPTURE 3
bfec 00 e5                          FDB    $100-27            TIMER INPUT CAPTURE 2
bfef 00 e8                          FDB    $100-24            TIMER INPUT CAPTURE 1
bff0 00 eb                          FDB    $100-21            REAL TIME INT
bff2 00 ee                          FDB    $100-18            IRQ
bff4 00 f1                          FDB    $100-15            XIRQ
bff6 00 f4                          FDB    $100-12            SWI
bff8 00 f7                          FDB    $100-9             ILLEGAL OP-CODE
bff9 00 fa                          FDB    $100-6             COP FAIL
bffc 00 fd                          FDB    $100-3             CLOCK MONITOR
bfef bf 40                          FDB    #BEGIN            RESET
*****
* END
*****
```

Listing MC68HC11A8 Bootloader (With Security)

Sheet 1 of 4

```

* BOOTLOADER FIRMWARE FOR MC68HC11A8 (with Security)
*****
* Wed Dec 5 16:14:54 CST 1984
*****

* EQUATES FOR USE WITH INDEX OFFSET = $1000

0008      PORTD      EQU      $08
0009      DDRD       EQU      $09
0028      SPCR       EQU      $28          (FOR DWOM BIT)
002b      BAUD       EQU      $2B
002c      SCCR1      EQU      $2C
002d      SCCR2      EQU      $2D
002e      SCSR       EQU      $2E
002f      SCDAT      EQU      $2F
003b      PPROG      EQU      $3B
003e      TEST1      EQU      $3E
003f      CONFIG     EQU      $3F

* MORE EQUATES
*
b600      EEPSTR     EQU      $B600          START OF EEPROM
b7ff      EEPEND     EQU      $B7FF          END OF EEPROM

*****
* THIS BOOTSTRAP PROGRAM ALLOWS THE USER TO
* DOWNLOAD A PROGRAM OF EXACTLY 256 BYTES.
* THE PROGRAM MUST START AT $0000.
* EACH BYTE OF THE PROGRAM IS RECEIVED BY THE
* SCI, STARTING WITH THE $0000 BYTE AND WORKING
* UP TO THE $00FF BYTE.
*
* THE TRANSMITTER WILL BE USED FOR THE PURPOSE
* OF COMMUNICATION TO THE OUTSIDE WORLD.
*****

bf40      ORG        $BF40

bf40      BEGIN     EQU      *
* INIT STACK
bf40 8e 00 ff      LDS      #$00FF
* INIT X REG FOR INDEXED ACCESS TO REGISTERS
bf43 ce 10 00      LDX      #$1000
* PUT PORT D IN WIRE OR MODE
bf46 1c 28 20      BSET     SPCR,X $20
* INIT SCI AND RESTART BAUD DIVIDER CHAIN
bf49 86 a2          LDAA     #$A2          DIV BY 16
bf4b a7 2b          STAA     BAUD,X
* RECEIVER & TRANSMITTER ENABLED
bf4d 86 0c          LDAA     #$0C
bf4f a7 2d          STAA     SCCR2,X

```

Bootloader Listings

Listing - MC68HC11A8 Bootloader (With Security)

Sheet 2 of 4

```
bf51 1e 3f 08 34      * TEST THE SECURITY BIT
                        BRSET CONFIG,X $08   NOSEC

*****
* WE ARE IN SECURITY MODE

* OUTPUT $FF ON TRANSMITTER
bf55      AGAIN      EQU      *
bf55 a6 2e      LDAA    SCSR,X
bf57 86 ff      LDAA    #$FF
bf59 a7 2f      STAA    SCDAT,X

* ERASE EEPROM:
* SET ERASE AND EELAT BITS BEFORE USING "ERASE"
bf5b c6 06      LDAB    #$06
bf5d e7 3b      STAB    PPROG,X
bf5f f7 b6 00    STAB    EEPSTR          WRITE ANY EEPROM LOCATION
bf62 8d 5f      BSR     ERASE

* ACCB IS NOW SET FOR $06

*****
* ERASE CYCLE IS COMPLETE

* IF THE EE IS DISABLED (EEON=0), SKIP EE CHK
* WE CAN'T CHECK THAT THE EEPROM IS ERASED
bf64 1f 3f 01 11    BRCLR  CONFIG,X $01   NOEE

* EEPROM IS ENABLED (EEON=1),
* NOW CHECK THAT THE EEPROM IS ERASED
bf68 18 ce b6 00    LDY     #EEPSTR
bf6c      LOOP      EQU      *
bf6c 18 a1 00      CMPA    0,Y            (A=$FF)

* ANY UNERASED BYTE SENDS US BACK TO ERASE AGAIN
bf6f 26 e4      BNE     AGAIN
bf71 18 08      INY
bf73 18 8c bB 00    CPY     #EEPEND+1
bf77 26 f3      BNE     LOOP

bf79      NOEE     EQU      *
*****
* WRITE $FF TO ENTIRE RAM (EXCEPT LAST TWO BYTES
* WHICH ARE USED BY THE STACK)

bf79      ERAM    EQU      *
bf79 3c      PSHX
bf7a ce ff 02    LDX     #$FF02
bf7d      LOP1    EQU      *
bf7d a7 fe      STAA    $FE,X
bf7f 08      INX
bf80 26 fb      BNE     LOP1
bf82 38      PULX
```


Listing - MC68HC11A8 Bootloader (With Security)

Sheet 3 of 4

```

*****
* NOW ERASE CONFIG REGISTER
bf83      ECONFG EQU      *
* SET ERASE AND EELAT BITS
bf83 e7 3b      STAB PPROG,X      (B STILL = $06)
* WRITE CONFIG REGISTER, LATCH ADDR FOR ERASURE
bf85 e7 3f      STAB CONFIG,X
bf87 8d 3a      BSR ERASE
* ERASE CYCLE IS COMPLETE

*****
* NON-SECURITY AND SECURITY MODES MEET HERE

bf89      NOSEC EQU      *
* SEND BREAK TO SIGNAL START OF DOWNLOAD
bf89 1c 2d 01      BSET SCCR2,X $01
* CLEAR BREAK AS SOON AS START BIT IS DETECTED
bf8c 1e 08 01 fc      BRSET PORTD,X $01 *
bf90 1d 2d 01      BCLR SCCR2,X $01 CLEAR BREAK
* WAIT FOR FIRST CHARACTER (USERS SEND $FF)
bf93 1f 2e 20 fc      BRCLR SCSR,X $20 * WAIT FOR RDRF
bf97 a6 2f      LDAA SCDAT,X READ DATA
* IF DATA = $00 (BREAK OR $00), THEN JUMP TO EEPROM
bf99 26 03      BNE NOTZERO
bf9b 7e b6 00      JMP $B600
bf9e      NOTZERO EQU      *
* IF DATA = $55, THEN SKIP DOWNLOAD (TEST MODE)
bf9e 81 55      CMPA #$55
bfa0 27 1e      BEQ STAR
* IF DATA = $FF, THEN /16 IS CORRECT BAUD
bfa2 81 ff      CMPA #$FF
bfa4 27 03      BEQ BAUDOK
* ELSE CHANGE TO /104 (/13 & /8) 1200 @ 2MHZ
bfa6 1c 2b 33      BSET BAUD,X $33
* THEN DOWNLOAD 256 BYTE PROGRAM
bfa9      BAUDOK EQU      *
bfa9 18 ce 00 00      LDY #$0000 INIT POINTER
* READ IN PROGRAM AND PUT INTO RAM
bfad      BK2 EQU      *
bfad 1f 2e 20 fc      BRCLR SCSR,X $20 * WAIT FOR RDRF
bfb1 a6 2f      LDAA SCDAT,X
bfb3 18 a7 00      STAA $00,Y
bfb6 a7 2f      STAA SCDAT,X HANDSHAKE
bfb8 18 08      INY
bfba 18 8c 01 00      CPY #$0100 UNTIL THE END IS REACHED
bfbe 26 ed      BNE BK2

*****
* ALL START USER'S PROGRAM
bfc0      STAR EQU      *
bfc0 7e 00 00      JMP $0000

```


Listing MC68HC811E2 Bootloader (No Security)

Sheet 1 of 3

```

* BOOTLOADER FIRMWARE FOR 68HC11E2

*****
* Mon Jan 11 16:06:00 CST 1988
*****

* EQUATES FOR USE WITH INDEX OFFSET = $1000
0008 PORTD EQU $08
0009 DDRD EQU $09
0028 SPCR EQU $28 (FOR DWOM BIT)
002b BAUD EQU $2B
002c SCCR1 EQU $2C
002d SCCR2 EQU $2D
002e SCSR EQU $2E
002f SCDAT EQU $2F
003b PPROG EQU $3B
003e TEST1 EQU $3E
003f CONFIG EQU $3F

* MORE EQUATES
*
f800 EEPSTR EQU $F800 START OF EEPROM
ffff EEPEND EQU $FFFF END OF EEPROM

*****
* THIS BOOTSTRAP PROGRAM ALLOWS THE USER TO
* DOWNLOAD A PROGRAM OF EXACTLY 256 BYTES.
* THE PROGRAM MUST START AT $0000.
* EACH BYTE OF THE PROGRAM IS RECEIVED BY THE
* SCI, STARTING WITH THE $0000 BYTE AND WORKING
* UP TO THE $00FF BYTE.
*
* THE TRANSMITTER WILL BE USED FOR THE PURPOSE
* OF COMMUNICATION TO THE OUTSIDE WORLD.
*****
* THIS PROGRAM WAS KEPT AS MUCH THE SAME AS
* THE 68HC11A8 BOOTLOADER AS POSSIBLE.
*****

bf40 ORG $BF40

bf40 BEGIN EQU *
* INIT STACK
bf40 8e 00 ff LDS #$00FF
* INIT X REG FOR INDEXED ACCESS TO REGISTERS
bf43 ce 10 00 LDX #$1000
*****
* PUT PORT D IN WIRE OR MODE
bf46 1c 28 20 BSET SPCR,X $20

```

Listing - MC68HC811E2 Bootloader (No Security)

Sheet 2 of 3

```

* INIT SCI AND RESTART BAUD DIVIDER CHAIN
bf49 86 a2          LDAA  #$A2          DIV BY 16
bf4b a7 2b          STAA  BAUD,X
* RECEIVER & TRANSMITTER ENABLED
bf4d 86 0c          LDAA  #$0C
bf4f a7 2d          STAA  SCCR2,X
*****
* SEND BREAK TO SIGNAL START OF DOWNLOAD
bf51 1c 2d 01      BSET  SCCR2,X $01
* CLEAR BREAK AS SOON AS START BIT IS DETECTED
bf54 1e 08 01 fc   BRSET PORTD,X $01  *
bf58 1d 2d 01      BCLR  SCCR2,X $01  CLEAR BREAK
* WAIT FOR FIRST CHARACTER (USERS SEND $FF)
bf5b 1f 2e 20 fc   BRCLR SCSR,X $20  * WAIT FOR RDRF
bf5f a6 2f          LDAA  SCDAT,X      READ DATA
* IF DATA = $00 (BREAK OR $00), THEN JUMP TO EEPROM
bf61 26 03          BNE   NOTZERO
bf63 7e f8 00      JMP   EEPSTR
bf66               NOTZERO EQU   *
* IF DATA = $55, THEN SKIP DOWNLOAD (TEST MODE)
bf66 81 55          CMPA  #$55
bf68 27 1e          BEQ   STAR
* IF DATA = $FF, THEN /16 IS CORRECT BAUD
bf6a 81 ff          CMPA  #$FF
bf6c 27 03          BEQ   BAUDOK
* ELSE CHANGE TO /104 (/13 & /8) 1200 @ 2MHZ
bf6e 1c 2b 33      BSET  BAUD,X $33
* THEN DOWNLOAD 256 BYTE PROGRAM
bf71               BAUDOK EQU   *
bf71 18 ce 00 00   LDY   #$0000      INIT POINTER
* READ IN PROGRAM AND PUT INTO RAM
bf75               BK2 EQU   *
bf75 1f 2e 20 fc   BRCLR SCSR,X $20  * WAIT FOR RDRF
bf79 a6 2f          LDAA  SCDAT,X
bf7b 18 a7 00      STAA  $00,Y
bf7e a7 2f          STAA  SCDAT,X      HANDSHAKE
bf80 18 08          INY
* UNTIL THE END IS REACHED
bf82 18 8c 01 00   CPY   #$0100
bf86 26 ed          BNE   BK2
*****
* ALL START USER'S PROGRAM
bf88               STAR EQU   *
bf88 7e 00 00      JMP   $0000

```

Listing - MC68HC811E2 Bootloader (No Security)

Sheet 3 of 3

```

bfd4                ORG      $BFD4                NEEDED IF BOOTROM < MAX
*****
* MASK I.D. FOR '811E2 WITH NO SECURITY
bfd4 e2 e2          FDB      $E2E2

*****
* VECTORS
*
bfd6 00 c4          FDB      $100-60             SCI
bfd8 00 c7          FDB      $100-57             SPI
bfda 00 ca          FDB      $100-54             PULSE ACCUM INPUT EDGE
bfdc 00 cd          FDB      $100-51             PULSE ACCUM OVERFLOW
bfde 00 d0          FDB      $100-48             TIMER OVERFLOW
bfe0 00 d3          FDB      $100-45             TIMER OUTPUT COMPARE 5
bfe2 00 d6          FDB      $100-42             TIMER OUTPUT COMPARE 4
bfe4 00 d9          FDB      $100-39             TIMER OUTPUT COMPARE 3
bfe6 00 dc          FDB      $100-36             TIMER OUTPUT COMPARE 2
bfe8 00 df          FDB      $100-33             TIMER OUTPUT COMPARE 1
bfef 00 e2          FDB      $100-30             TIMER INPUT CAPTURE 3
bfec 00 e5          FDB      $100-27             TIMER INPUT CAPTURE 2
bfef 00 e8          FDB      $100-24             TIMER INPUT CAPTURE 1
bff0 00 eb          FDB      $100-21             REAL TIME INT
bff2 00 ee          FDB      $100-18             IRQ
bff4 00 f1          FDB      $100-15             XIRQ
bff6 00 f4          FDB      $100-12             SWI
bff8 00 f7          FDB      $100-9              ILLEGAL OP-CODE
bff9 00 fa          FDB      $100-6             COP FAIL
bff9 00 fd          FDB      $100-3             CLOCK MONITOR
bfef bf 40          FDB      $BF40             RESET

* END

```

Listing MC68HC811E2 Bootloader (With Security)

Sheet 1 of 5

```

* BOOTLOADER FIRMWARE FOR 68HC11E2 - SECURED VERSION

*****
* Tue Oct 25 11:38:07 CDT 1988
*****

* EQUATES FOR USE WITH INDEX OFFSET = $1000
0008 PORTD EQU $08
0009 DDRD EQU $09
0028 SPCR EQU $28 (FOR DWOM BIT)
002b BAUD EQU $2B
002c SCCR1 EQU $2C
002d SCCR2 EQU $2D
002e SCSR EQU $2E
002f SCDAT EQU $2F
0035 BPROT EQU $35
003b PPROG EQU $3B
003e TEST1 EQU $3E
003f CONFIG EQU $3F

* MORE EQUATES
*
f800 EEPSTR EQU $F800 START OF EEPROM
ffff EEPEND EQU $FFFF END OF EEPROM

*****
* THIS BOOTSTRAP PROGRAM ALLOWS THE USER TO
* DOWNLOAD A PROGRAM OF EXACTLY 256 BYTES.
* THE PROGRAM MUST START AT $0000.
* EACH BYTE OF THE PROGRAM IS RECEIVED BY THE
* SCI, STARTING WITH THE $0000 BYTE AND WORKING
* UP TO THE $00FF BYTE.
*
* THE TRANSMITTER WILL BE USED FOR THE PURPOSE
* OF COMMUNICATION TO THE OUTSIDE WORLD.
*****
* THIS PROGRAM WAS KEPT AS MUCH THE SAME AS
* THE 68HC11A8 BOOTLOADER AS POSSIBLE.
*****

bf40 ORG $BF40

bf40 BEGIN EQU *
* INIT STACK
bf40 8e 00 ff LDS #$00FF
* INIT X REG FOR INDEXED ACCESS TO REGISTERS
bf43 ce 10 00 LDX #$1000

* PUT PORT D IN WIRE OR MODE
bf46 1c 28 20 BSET SPCR,X $20

```

Listing - MC68HC811E2 Bootloader (With Security)

Sheet 2 of 5

```

* INIT SCI AND RESTART BAUD DIVIDER CHAIN
bf49 86 a2          LDAA  #$A2          DIV BY 16
bf4b a7 2b          STAA  BAUD,X
* RECEIVER & TRANSMITTER ENABLED
bf4d 86 0c          LDAA  #$0C
bf4f a7 2d          STAA  SCCR2,X

* TEST THE SECURITY BIT
bf51 1e 3f 08 36   BRSET CONFIG,X $08  NOSEC

*****
* WE ARE IN SECURITY MODE
* OUTPUT $FF ON TRANSMITTER
bf55              AGAIN  EQU      *
bf55 a6 2e          LDAA  SCSR,X
bf57 86 ff          LDAA  #$FF
bf59 a7 2f          STAA  SCDAT,X
* ERASE EEPROM:
* TURN OFF BLOCK PROTECT
bf5b 6f 35          CLR   BPROT,X
* SET ERASE AND EELAT BITS BEFORE USING "ERASE"
bf5d c6 06          LDAB  #$06
bf5f e7 3b          STAB  PPROG,X
bf61 f7 f8 00      STAB  EEPSTR          WRITE EEPROM LOCATION
bf64 8d 5f          BSR   ERASE
* ACCB IS NOW SET FOR $06
*****
* ERASE CYCLE IS COMPLETE
*
* IF THE EEPROM IS NOT ENABLED
* WE CAN'T CHECK THAT THE EEPROM IS ERASED
bf66 1f 3f 01 11   BRCLR CONFIG,X $01  NOEE
* EEPROM IS ON,
* NOW CHECK THAT THE EEPROM IS ERASED
bf6a 18 ce f8 00   LDY   #EEPSTR
bf6e              LOOP   EQU      *
bf6e 18 a1 00      CMPA  0,Y          (A = $FF)
* ANY UNERASED BYTE SENDS US BACK TO ERASE AGAIN
bf71 26 e2          BNE   AGAIN
bf73 18 08          INY
bf75 18 8c 00 00   CPY   #EEPEND+1
bf79 26 f3          BNE   LOOP
bf7b              NOEE  EQU      *

```

```

*****
* WRITE $FF TO ENTIRE RAM (EXCEPT LAST TWO BYTES
* WHICH ARE USED BY THE STACK)

bf7b          ERAM    EQU    *
bf7b 3c          PSHX
bf7c ce ff 02    LDX    #$FF02
bf7f          LOP1   EQU    *
bf7f a7 fe      STAA   $FE,X
bf81 08          INX
bf82 26 fb      BNE    LOP1
bf84 38          PULX

*****
* NOW ERASE CONFIG REGISTER

bf85          ECONFG EQU    *
* SET ERASE AND EELAT BITS
bf85 e7 3b      STAB   PPROG,X      (B STILL = $06)
* WRITE CONFIG REGISTER LATCH IT FOR ERASURE
bf87 e7 3f      STAB   CONFIG,X
bf89 8d 3a      BSR    ERASE

* ERASE CYCLE IS COMPLETE

*****
* NON-SECURITY AND SECURITY MODES MEET HERE
*
bf8b          NOSEC  EQU    *
* SEND BREAK TO SIGNAL START OF DOWNLOAD
bf8b 1c 2d 01    BSET   SCCR2,X $01
* CLEAR BREAK AS SOON AS START BIT IS DETECTED
bf8e 1e 08 01 fc BRSET  PORTD,X $01 *
bf92 1d 2d 01    BCLR   SCCR2,X $01    CLEAR BREAK
* WAIT FOR FIRST CHARACTER (USERS SEND $FF)
bf95 1f 2e 20 fc BRCLR  SCSR,X $20 *   WAIT FOR RDRF
bf99 a6 2f      LDAA   SCDAT,X      READ DATA
* IF DATA = $00 (BREAK OR $00), THEN JUMP TO EEPROM
bf9b 26 03      BNE    NOTZERO
bf9d 7e f8 00    JMP    EEPSTR
bfa0          NOTZERO EQU    *
* IF DATA = $55, THEN SKIP DOWNLOAD (TEST MODE)
bfa0 81 55      CMPA   #$55
bfa2 27 1e      BEQ    STAR

```


Listing - MC68HC811E2 Bootloader (With Security)

Sheet 4 of 5

```

* IF DATA = $FF, THEN /16 IS CORRECT BAUD
bfa4 81 ff          CMPA  #$FF
bfa6 27 03          BEQ   BAUDOK
* ELSE CHANGE TO /104 (/13 &/8) 1200 @ 2MHZ
bfa8 1c 2b 33      BSET  BAUD,X $33
* THEN DOWNLOAD 256 BYTE PROGRAM
bfab               BAUDOK EQU   *
bfab 18 ce 00 00   LDY   #$0000          INIT POINTER
* READ IN PROGRAM AND PUT INTO RAM
bfaf               BK2   EQU   *
bfaf 1f 2e 20 fc   BRCLR  SCSR,X $20 *   WAIT FOR RDRF
bfb3 a6 2f         LDAA  SCDAT,X
bfb5 18 a7 00      STAA  $00,Y
bfb8 a7 2f         STAA  SCDAT,X          HANDSHAKE
bfba 18 08         INY
* UNTIL THE END IS REACHED
bfbc 18 8c 01 00   CPY   #$0100
bfc0 26 ed         BNE   BK2
*****
* ALL START USER'S PROGRAM
bfc2               STAR  EQU   *
bfc2 7e 00 00     JMP   $0000
*****
* EEPROM ERASE SUBROUTINE
*
* ASSUMES CALLING ROUTINE HAS ALREADY SET ERASE
* AND EELAT BITS, AS WELL AS ACCESSED CONFIG REG
* IF THAT IS TO BE ERASED
*
* ENTRY X = $1000
* EXIT X = $1000, Y = $0000
bfc5               ERASE EQU   *
bfc5 1c 3b 01     * SET EEPGM BIT
                                BSET  PPROG,X $01
* 10 MILLISEC DELAY @ 2.1 MHZ
bfc8 18 ce 0b b8   LDY   #3000
bfcc 18 09         BK1   DEY
bfce 26 fc         BNE   BK1
* TURN OFF EEPGM, ERASE AND EELAT BITS
bfd0 6f 3b         CLR   PPROG,X
bfd2 39           RTS

```

Bootloader Listings

Listing - MC68HC811E2 Bootloader (With Security)

Sheet 5 of 5

```
bfd4                ORG    $BFD4                NEEDED IF BOOTROM < MAX
*****
* MASK I.D. FOR '811E2 WITH SECURITY
bfd4 e2 5c          FDB    $E25C                (5C=SC FOR SECURITY)
*****
* VECTORS

bfd6 00 c4          FDB    $100-60                SCI
bfd8 00 c7          FDB    $100-57                SPI
bfda 00 ca          FDB    $100-54                PULSE ACCUM INPUT EDGE
bfdc 00 cd          FDB    $100-51                PULSE ACCUM OVERFLOW
bfde 00 d0          FDB    $100-48                TIMER OVERFLOW
bfe0 00 d3          FDB    $100-45                TIMER OUTPUT COMPARE 5
bfe2 00 d6          FDB    $100-42                TIMER OUTPUT COMPARE 4
bfe4 00 d9          FDB    $100-39                TIMER OUTPUT COMPARE 3
bfe6 00 dc          FDB    $100-36                TIMER OUTPUT COMPARE 2
bfe8 00 df          FDB    $100-33                TIMER OUTPUT COMPARE 1
bfec 00 e2          FDB    $100-30                TIMER INPUT CAPTURE 3
bfec 00 e5          FDB    $100-27                TIMER INPUT CAPTURE 2
bfec 00 e8          FDB    $100-24                TIMER INPUT CAPTURE 1
bff0 00 eb          FDB    $100-21                REAL TIME INT
bff2 00 ee          FDB    $100-18                IRQ
bff4 00 f1          FDB    $100-15                XIRQ
bff6 00 f4          FDB    $100-12                SWI
bff8 00 f7          FDB    $100-9                 ILLEGAL OP-CODE
bff8 00 fa          FDB    $100-6                 COP FAIL
bff8 00 fd          FDB    $100-3                 CLOCK MONITOR
bfec 00 fd          FDB    $BF40                 RESET
bfec bf 40

* END
```

Listing MC68HC11E9 Bootloader (No Security)

Sheet 1 of 3

```

* BOOTLOADER FIRMWARE FOR 68HC11E9 - NO SECURITY
*****
* Tue Jan 12 17:08:00 CST 1988
*****

*****
* THIS NEW VERSION ALLOWS VARIABLE LENGTH DOWNLOAD
* BY QUITTING RECEPTION OF CHARACTERS WHEN AN IDLE
* OF AT LEAST FOUR WORD TIMES OCCURS
*****

* EQUATES FOR USE WITH INDEX OFFSET = $1000

0008      PORTD    EQU    $08
0009      DDRD     EQU    $09
0016      TOC1     EQU    $16          [EXTRA STORAGE (POOR STYLE)]
0028      SPCR     EQU    $28          (FOR DWOM BIT)
002b      BAUD     EQU    $2B
002c      SCCR1    EQU    $2C
002d      SCCR2    EQU    $2D
002e      SCSR     EQU    $2E
002f      SCDAT    EQU    $2F
003b      PPROG    EQU    $3B
003e      TEST1    EQU    $3E
003f      CONFIG   EQU    $3F

* MORE EQUATES
*
b600      EEPSTR    EQU    $B600      START OF EEPROM
b7ff      EEPEND    EQU    $B7FF      END OF EEPROM
0000      RAMSTR    EQU    $0000
01ff      RAMEND    EQU    $01FF
0db0      DELAYS    EQU    3504      DELAY AT SLOW BAUD
021b      DELAYF    EQU    539       DELAY AT FAST BAUD

*****
* THIS BOOTSTRAP PROGRAM ALLOWS THE USER TO
* DOWNLOAD A PROGRAM OF 0 - 512 BYTES.
* THE PROGRAM MUST START AT $0000.
* EACH BYTE OF THE PROGRAM IS RECEIVED BY THE SCI.
* THE FIRST BYTE ESTABLISHES BAUD RATE.
* THEN THE PROGRAM IS DOWNLOADED STARTING WITH
* THE $0000 BYTE AND WORKING UP TOWARD THE $01FF
* A DELAY OF FOUR WORD TIMES (AT EITHER BAUD RATE)
* CAUSES THE RECEPTION OF CHARACTERS TO STOP AND
* A JUMP TO $0000.
*
* THE TRANSMITTER WILL BE USED FOR THE PURPOSE
* OF COMMUNICATION TO THE OUTSIDE WORLD.
*****

```

Listing - MC68HC11E9 Bootloader (No Security)

Sheet 2 of 3

```

bf40                                ORG    $BF40

bf40                                BEGIN  EQU    *
* INIT STACK
bf40 8e 01 ff                        LDS    #RAMEND
* INIT X REG FOR INDEXED ACCESS TO REGISTERS
bf43 ce 10 00                        LDX    #$1000
* PUT PORT D IN WIRE OR MODE
bf46 1c 28 20                        BSET   SPCR,X $20
* INIT SCI AND RESTART BAUD DIVIDER CHAIN
bf49 cc a2 0c                        LDD   #A20C          DIV BY 16
bf4c a7 2b                            STAA  BAUD,X
* RECEIVER & TRANSMITTER ENABLED
bf4e e7 2d                            STAB  SCCR2,X
* SET UP DELAY FOR FASTEST BAUD RATE
bf50 cc 02 1b                        LDD   #DELAYF
bf53 ed 16                            STD   TOC1,X
* SEND BREAK TO SIGNAL START OF DOWNLOAD
bf55 1c 2d 01                        BSET   SCCR2,X $01
* CLEAR BREAK AS SOON AS START BIT IS DETECTED
bf58 1e 08 01 fc                    BRSET  PORTD,X $01 *
bf5c 1d 2d 01                        BCLR  SCCR2,X $01    CLEAR BREAK
* WAIT FOR FIRST CHARACTER (USERS SEND $FF)
bf5f 1f 2e 20 fc                    BRCLR  SCSR,X $20 *  WAIT FOR RDRF
bf63 a6 2f                            LDAA  SCDAT,X        READ DATA
* IF DATA = $00 (BREAK OR $00), THEN JUMP TO EEPROM
bf65 26 03                            BNE   NOTZERO
bf67 7e b6 00                            JMP   EEPSTR
bf6a                                NOTZERO EQU    *
* IF DATA = $FF, THEN /16 IS CORRECT BAUD
bf6a 81 ff                            CMPA  #$FF
bf6c 27 08                            BEQ   BAUDOK
* ELSE CHANGE TO /104 (/13 & /8) 1200 @ 2MHz
bf6e 1c 2b 33                        BSET   BAUD,X $33
* SET UP DELAY FOR SLOWER BAUD RATE
bf71 cc 0d b0                        LDD   #DELAYS
bf74 ed 16                            STD   TOC1,X

bf76                                BAUDOK EQU    *
bf76 18 ce 00 00                    LDY   #RAMSTR        POINTER TO START OF RAM

```

Listing - MC68HC11E9 Bootloader (No Security)

Sheet 3 of 3

```

* TIME EACH BYTE
bf7a ec 16      WAIT   LDD   TOC1,X          PUT DELAY TIME IN ACCD
bf7c 1e 2e 20 07 WTLOOP  BRSET  SCSR,X $20     NEWONE
bf80 Bf          XGDX          DELAY INTO X
bf81 09          DEX           DECREMENT DELAY
bf82 8f          XGDX          RETURN DELAY TO ACCD
bf83 26 f7      BNE   WTLOOP
bf85 20 0f      BRA   STAR     DID NOT TIME OUT

* READ IN BYTE AND PUT INTO RAM
bf87 a6 2f      NEWONE LDAA  SCDAT,X
bf89 18 a7 00   STAA  $00,Y
bf8c a7 2f      STAA  SCDAT,X     HANDSHAKE
bf8e 18 08      INY
bf90 18 8c 02 00 CPY   #RAMEND+1
bf94 26 e4      BNE   WAIT

*****
* ALL START USER'S PROGRAM
bf96          STAR   EQU   *
bf96 7e 00 00   JMP   RAMSTR

bfd2          ORG   $BFD2
*****
* MASK I.D. #
bfd2 00 00     FDB   $0000
bfd4 e9 e9     FDB   $E9E9     E9 I.D.
*****
* VECTORS
*
bfd6 00 c4     FDB   $100-60    SCI
bfd8 00 c7     FDB   $100-57    SPI
bfda 00 ca     FDB   $100-54    PULSE ACCUM INPUT EDGE
bfdc 00 cd     FDB   $100-51    PULSE ACCUM OVERFLOW
bfde 00 d0     FDB   $100-48    TIMER OVERFLOW
bfe0 00 d3     FDB   $100-45    TIMER OUTPUT COMPARE 5
bfe2 00 d6     FDB   $100-42    TIMER OUTPUT COMPARE 4
bfe4 00 d9     FDB   $100-39    TIMER OUTPUT COMPARE 3
bfe6 00 dc     FDB   $100-36    TIMER OUTPUT COMPARE 2
bfe8 00 df     FDB   $100-33    TIMER OUTPUT COMPARE 1
bfef 00 e2     FDB   $100-30    TIMER INPUT CAPTURE 3
bfec 00 e5     FDB   $100-27    TIMER INPUT CAPTURE 2
bfef 00 e8     FDB   $100-24    TIMER INPUT CAPTURE 1
bff0 00 eb     FDB   $100-21    REAL TIME INT
bff2 00 ee     FDB   $100-18    IRQ
bff4 00 f1     FDB   $100-15    XIRQ
bff6 00 f4     FDB   $100-12    SWI
bff8 00 f7     FDB   $100-9     ILLEGAL OP-CODE
bff9 00 fa     FDB   $100-6     COP FAIL
bffc 00 fd     FDB   $100-3     CLOCK MONITOR
bfef bf 40     FDB   #BEGIN     RESET

* END

```

Listing MC68HC11E9 Bootloader (With Security)

Sheet 1 of 5

```

* BOOTLOADER FIRMWARE FOR 68HC11E9 - SECURED VERSION
*****
* Tue Oct 25 16:38:50 CDT 1988
*****

*****
* THIS NEW VERSION ALLOWS VARIABLE LENGTH DOWNLOAD
* BY QUITTING RECEPTION OF CHARACTERS WHEN AN IDLE
* OF AT LEAST FOUR WORD TIMES OCCURS
*****

* EQUATES FOR USE WITH INDEX OFFSET = $1000

0008      PORTD      EQU      $08
0009      DDRD       EQU      $09
0016      TOC1       EQU      $16      (EXTRA STORAGE (POOR STYLE)]
0028      SPCR       EQU      $28      (FOR DWOM BIT)
002b      BAUD       EQU      $2B
002c      SCCR1      EQU      $2C
002d      SCCR2      EQU      $2D
002e      SCSR       EQU      $2E
002f      SCDAT      EQU      $2F
0035      BPROT      EQU      $35
003b      PPROG      EQU      $3B
003e      TEST1      EQU      $3E
003f      CONFIG     EQU      $3F

* MORE EQUATES
*
b600      EEPSTR     EQU      $B600      START OF EEPROM
b7ff      EEPEND     EQU      $B7FF      END OF EEPROM
0000      RAMSTR     EQU      $0000
01ff      RAMEND     EQU      $01FF
0db0      DELAYS     EQU      3504      DELAY AT SLOW BAUD
021b      DELAYF     EQU      539       DELAY AT FAST BAUD

*****
* THIS BOOTSTRAP PROGRAM ALLOWS THE USER TO
* DOWNLOAD A PROGRAM OF 0 - 512 BYTES.
* THE PROGRAM MUST START AT $0000.
* EACH BYTE OF THE PROGRAM IS RECEIVED BY THE SCI.
* THE FIRST BYTE ESTABLISHES BAUD RATE.
* THEN THE PROGRAM IS DOWNLOADED STARTING WITH
* THE $0000 BYTE AND WORKING UP TOWARD THE $01FF
* A DELAY OF FOUR WORD TIMES (AT EITHER BAUD RATE)
* CAUSES THE RECEPTION OF CHARACTERS TO STOP AND
* A JUMP TO $0000.
*
* SCI TRANSMITTER USED TO ECHO TO OUTSIDE WORLD
*****

```

Listing - MC68HC11E9 Bootloader (With Security)

Sheet 2 of 5

```

bf40                                ORG    $BF40

bf40                                BEGIN  EQU    *
* INIT STACK
bf40 8e 01 ff                        LDS    #$01FF
* INIT X REG FOR INDEXED ACCESS TO REGISTERS
bf43 ce 10 00                        LDX    #$1000
* PUT PORT D IN WIRE OR MODE
bf46 1c 28 20                        BSET   SPCR,X$20
* INIT SCI AND RESTART BAUD DIVIDER CHAIN
bf49 cc a2 0c                        LDD   #$A20C          DIV BY 16
bf4c a7 2b                            STAA  BAUD,X
* RECEIVER & TRANSMITTER ENABLED
bf4e e7 2d                            STAB  SCCR2,X

* TEST THE SECURITY BIT
bf50 1e 3f 08 35                      BRSET  CONFIG,X $08   NOSEC

*****
* WE ARE IN SECURITY MODE
* OUTPUT $FF ON TRANSMITTER
bf54                                AGAIN  EQU    *
bf54 a6 2e                            LDAA  SCSR,X
bf56 86 ff                            LDAA  #$FF
bf58 a7 2f                            STAA  SCDAT,X
* ACCA NOW IS SET FOR $FF

* ERASE EEPROM:
* TURN OFF BLOCK PROTECT
bf5a 6f 35                            CLR   BPROT,X
* SET ERASE AND EELAT BITS BEFORE USING "ERASE"
bf5c 54                                LSRB                                CHANGE $0C TO $06
bf5d e7 3b                            STAB  PPROG,X
bf5f f7 b6 00                          STAB  EEPSTR          WRITE EEPROM LOCATION
bf62 8d 72                            BSR   ERASE
* ACCB IS NOW SET FOR $06
* ERASE CYCLE IS COMPLETE

* IF THE EEPROM IS NOT ENABLED,
* WE CAN'T CHECK THAT THE EEPROM IS ERASED
bf64 1f 3f 01 11                      BRCLR  CONFIG,X $01   NOEE
* EEPROM IS ON,
* NOW CHECK THAT THE EEPROM IS ERASED
bf68 18 ce b6 00                      LDY   #EEPSTR
bf6c                                LOOP  EQU    *
bf6c 18 a1 00                          CMPA  0,Y            (A = $FF)
* ANY UNERASED BYTE SENDS US BACK TO ERASE AGAIN
bf6f 26 e3                            BNE  AGAIN
bf71 18 08                            INY
bf73 18 8c b8 00                       CPY   #EEPEND+1
bf77 26 f3                            BNE  LOOP

```

Listing - MC68HC11E9 Bootloader (With Security)

Sheet 3 of 5

```

bf79          NOEE      EQU      *
*****
* WRITE OVER ENTIRE RAM, EXCEPT LAST TWO BYTES WHICH
* ARE USED BY THE STACK & $0000 WHICH IS LEFT INTACT

bf79          ERAM      EQU      *
bf79 3c          PSHX
bf7a ce 01 fd    LDX      #RAMEND-2
bf7d          LOP1     EQU      *
bf7d a7 00      STAA     $00,X
bf7f 09          DEX
bf80 26 fb      BNE      LOP1
bf82 38          PULX

*****
* NOW ERASE CONFIG REGISTER
bf83          ECONFG   EQU      *
* SET ERASE AND EELAT BITS
bf83 e7 3b          STAB     PPROG,X          (B STILL = $06)
* WRITE CONFIG REGISTER LATCH IT FOR ERASURE
bf85 e7 3f          STAB     CONFIG,X
bf87 Bd 4d          BSR      ERASE
* ERASE CYCLE IS COMPLETE

*****
* NON-SECURITY AND SECURITY MODES MEET HERE
*

bf89          NOSEC    EQU      *
* SET UP DELAY FOR FASTEST BAUD RATE
bf89 cc 02 1b      LDD      #DELAYF
bf8c ed 16          STD      TOC1,X
* SEND BREAK TO SIGNAL START OF DOWNLOAD
bf8e 1c 2d 01      BSET     SCCR2,X $01
* CLEAR BREAK AS SOON AS START BIT IS DETECTED
bf91 1e 08 01 fc   BRSET   PORTD,X $01 *
bf95 1d 2d 01      BCLR    SCCR2,X $01    CLEAR BREAK
* WAIT FOR FIRST CHARACTER (USERS SEND $FF)
bf98 1f 2e 20 fc   BRCLR   SCSR,X $20 *   WAIT FOR RDRF
bf9c a6 2f          LDAA    SCDAT,X          READ DATA
* IF DATA = $00 (BREAK OR $00), THEN JUMP TO EEPROM
bf9e 26 03          BNE     NOTZERO
bfa0 7e b6 00      JMP     EEPSTR
bfa3          NOTZERO  EQU      *
* IF DATA - $FF, THEN /16 IS CORRECT BAUD
bfa3 81 ff          CMPA   #$FF
bfa5 27 08          BEQ     BAUDOK

```


Listing - MC68HC11E9 Bootloader (with Security)

Sheet 4 of 5

```

* ELSE CHANGE TO /104 (/13 &/8) 1200 @ 2MHZ
bfa7 1c 2b 33          BSET  BAUD,X$33
* SET UP DELAY FOR SLOWER BAUD RATE
bfaa cc 0d b0          LDD   #DELAYS
bfad ed 16             STD   TOC1,X
bfaf                   BAUDOK EQU  *
bfaf 18 ce 00 00      LDY   #RAMSTR          POINTER TO START OF RAM
* TIME EACH BYTE
bfb3 ec 16            WAIT  LDD   TOC1,X          PUT DELAY TIME IN ACCD
bfb5 1e 2e 20 07     WTLOOP BRSET SCSR,X $20      NEWONE
bfb9 8f              XGDX                    DELAY INTO X
bfba 09              DEX                     DECREMENT DELAY
bfbb 8f              XGDX                    RETURN DELAY TO ACCD
bfbc 26 f7           BNE   WTLOOP
bfbe 20 0f           BRA   STAR
bfc0                 NEWONE EQU  *
* DID NOT TIME OUT SO READ IN BYTE AND PUT INTO RAM
bfc0 a6 2f           LDAA  SCDAT,X
bfc2 18 a7 00       STAA  $00,Y
bfc5 a7 2f           STAA  SCDAT,X          HANDSHAKE
bfc7 18 08           INY
bfc9 18 8c 02 00    CPY   #RAMEND+1
bfcd 26 e4           BNE   WAIT

*****
* ALL START USER'S PROGRAM
bfcf                   STAR  EQU  *
bfcf 7e 00 00       JMP   RAMSTR

bfd2                   ORG   $BFD2
*****
* MASK I.D. #
bfd2 00 00           FDB   $0000
bfd4 e9 5c           FDB   $E95C          E9 I.D. (5C=SC FOR SECURITY)

*****
* EEPROM ERASE SUBROUTINE
*
* ASSUMES CALLING ROUTINE HAS ALREADY SET ERASE AND
* EELAT BITS AND HAS ACCESSED WHATEVER IS TO BE ERASED
*
* ENTRY X=$1000
* EXIT X=$1000, Y=$0000
bfd6                 ERASE  EQU*
bfd6 1c 3b 01       BSET  PPROG,X $01      SET EEPGM BIT
* 10 MILLISEC DELAY @ 2.1 MHZ
bfd9 18 ce 0b b8    LDY   #3000
bfdd 18 09           BK1   DEY
bfdf 26 fc           BNE   BK1
bfe1 6f 3b           CLR   PPROG,X          CLEAR ERASE & EELAT BITS
bfe3 39             RTS

```

```
*****
*VECTORS (FIRST SEVEN DON'T POINT TO RAM)
*
*      FDB      $100-60      SCI
*      FDB      $100-57      SPI
*      FDB      $100-54      PULSE ACCUM INPUT EDGE
*      FDB      $100-51      PULSE ACCUM OVERFLOW
*      FDB      $100-48      TIMER OVERFLOW
*      FDB      $100-45      TIMER OUTPUT COMPARE 5
*      FDB      $100-42      TIMER OUTPUT COMPARE 4
bfe4 00 d9      FDB      $100-39      TIMER OUTPUT COMPARE 3
bfe6 00 dc      FDB      $100-36      TIMER OUTPUT COMPARE 2
bfeb 00 df      FDB      $100-33      TIMER OUTPUT COMPARE 1
bfea 00 e2      FDB      $100-30      TIMER INPUT CAPTURE 3
bfec 00 e5      FDB      $100-27      TIMER INPUT CAPTURE 2
bfef 00 e8      FDB      $100-24      TIMER INPUT CAPTURE 1
bff0 00 eb      FDB      $100-21      REAL TIME INT
bff2 00 ee      FDB      $100-18      IRQ
bff4 00 f1      FDB      $100-15      XIRQ
bff6 00 f4      FDB      $100-12      SWI
bff8 00 f7      FDB      $100-9       ILLEGAL OP-CODE
bff9 00 fa      FDB      $100-6       COP FAIL
bffc 00 fd      FDB      $100-3       CLOCK MONITOR
bff0 00 fd      FDB      $100-3       CLOCK MONITOR
bfef bf 40      FDB      #BF40       RESET
* END
```

Listing - MC68HC11F1 Bootloader

Sheet 1 of 3

```
* BOOTLOADER FIRMWARE FOR 68HC11F1 - NO SECURITY
*****
* Thr Mar 10 08:49:00 CST 1988
*****
```

```
*****
* THIS NEW VERSION ALLOWS VARIABLE LENGTH DOWNLOAD
* BY QUITTING RECEPTION OF CHARACTERS WHEN AN IDLE
* OF AT LEAST FOUR WORD TIMES OCCURS
*****
```

```
* EQUATES FOR USE WITH INDEX OFFSET = $1000
```

```
0008      PORTD    EQU    $08
0009      DDRD     EQU    $09
0016      TOC1     EQU    $16      (EXTRA STORAGE (POOR STYLE)]
0028      SPCR     EQU    $28      (FOR DWOM BIT)
002b      BAUD     EQU    $2B
002c      SCCR1    EQU    $2C
002d      SCCR2    EQU    $2D
002e      SCSR     EQU    $2E
002f      SCDAT    EQU    $2F
003b      PPROG    EQU    $3B
003e      TEST1    EQU    $3E
003f      CONFIG   EQU    $3F
```

```
* MORE EQUATES
```

```
*
fe00      EEPSTR   EQU    $FE00      START OF EEPROM
ffff      EEPEND   EQU    $FFFF      END OF EEPROM
0000      RAMSTR   EQU    $0000
03ff      RAMEND   EQU    $03FF
0db0      DELAYS   EQU    3504      DELAY AT SLOW BAUD
021b      DELAYF   EQU    539       DELAY AT FAST BAUD
```

```
*****
* THIS BOOTSTRAP PROGRAM ALLOWS THE USER TO
* DOWNLOAD A PROGRAM OF 0 - 1024 BYTES.
* THE PROGRAM MUST START AT $0000.
* EACH BYTE OF THE PROGRAM IS RECEIVED BY THE SCI.
* THE FIRST BYTE ESTABLISHES BAUD RATE.
* THEN THE PROGRAM IS DOWNLOADED STARTING WITH
* THE $0000 BYTE AND WORKING UP TOWARD THE $03FF
* A DELAY OF FOUR WORD TIMES (AT EITHER BAUD RATE)
* CAUSES THE RECEPTION OF CHARACTERS TO STOP AND
* A JUMP TO $0000.
*
* THE TRANSMITTER WILL BE USED FOR THE PURPOSE
* OF COMMUNICATION TO THE OUTSIDE WORLD.
*****
```

Listing - MC68HC11F1 Bootloader

Sheet 2 of 3

```

bf00                                ORG    $BF00

bf00                                BEGIN  EQU    *
* INIT STACK
bf00 8e 03 ff                        LDS    #RAMEND
* INIT X REG FOR INDEXED ACCESS TO REGISTERS
bf03 ce 10 00                        LDX    # $1000

* PUT PORT D IN WIRE OR MODE
bf06 1c 28 20                        BSET   SPCR,X $20
* INIT SCI AND RESTART BAUD DIVIDER CHAIN
bf09 cc a2 0c                        LDD    # $A20C          DIV BY 16
bf0c a7 2b                            STAA   BAUD,X
* RECEIVER & TRANSMITTER ENABLED
bf0e e7 2d                            STAB   SCCR2,X

* SET UP DELAY FOR FASTEST BAUD RATE
bf10 cc 02 1b                        LDD    #DELAYF
bf13 ed 16                            STD    TOC1,X

* SEND BREAK TO SIGNAL START OF DOWNLOAD
bf15 1c 2d 01                        BSET   SCCR2,X $01
* CLEAR BREAK AS SOON AS START BIT IS DETECTED
bf18 1e 08 01 fc                      BRSET  PORTD,X $01 *
bf1c 1d 2d 01                        BCLR   SCCR2,X $01    CLEAR BREAK
* WAIT FOR FIRST CHARACTER (USERS SEND $FF)
bf1f 1f 2e 20 fc                      BRCLR  SCSR,X $20 *   WAIT FOR RDRF
bf23 a6 2f                            LDAA   SCDAT,X        READ DATA
* IF DATA = $00 (BREAK OR $00), THEN JUMP TO EEPROM
bf25 26 03                            BNE    NOTZERO
bf27 7e fe 00                            JMP    EEPSTR
bf2a                                NOTZERO EQU    *
* IF DATA = $FF, THEN /16 IS CORRECT BAUD
bf2a 81 ff                            CMPA   # $FF
bf2c 27 08                            BEQ    BAUDOK
* ELSE CHANGE TO /104 (/13 & /8) 1200 @ 2MHZ
bf2e 1c 2b 33                        BSET   BAUD,X $33
* SET UP DELAY FOR SLOWER BAUD RATE
bf31 cc 0d b0                        LDD    #DELAYS
bf34 ed 16                            STD    TOC1,X

*
bf36                                BAUDOK EQU    *
bf36 18 ce 00 00                      LDY    #RAMSTR        POINTER TO START OF RAM

```


A

A/D Accuracy	59, 147, 466, 472–474, 478
A/D Pins	59, 70, 278, 478
A15-A8 Pins	62–63, 77–79, 245–247
Accumulator	200, 214
Adaptive Algorithm	149
ADCTL Register	476
Address Strobe	62–63, 78, 116, 141, 254, 259–261, 376
Addressing Modes	206
Direct	96, 208
Extended	208
Immediate	206
Indexed	210
Inherent	211
Relative	212
Address-Mark Wakeup	357
ADPU (Bit in OPTION)	99, 472
ADR1-ADR4 Registers	478
ADx Pins	62–63, 77–79, 251
AN7-AN0 Pins	59, 70, 278, 478
Analog Multiplexer	70, 71, 278, 472, 474, 479
AS Pin	62, 72, 78, 254, 259
Asynchronous Serial I/O	318
AT-Cut Crystal	51, 55, 56
Automatic Clearing Mechanism	196
MODF Bit	302
SCI Status Bits	333
STAF Bit	287
WCOL Bit	302

B

Baud Rate Generator	358–360, 376
Baud Rate Tolerance.....	353
BAUD Register	107, 327
BCD	200, 203, 216, 224, 536
Binary-Coded Decimal	200, 203, 216, 224, 536
Bit Manipulation	206, 212, 219, 387
Bootloader ROM.....	88, 102, 110–114, 123, 603
Bootstrap Mode	87, 102–114
Bootstrap ROM.....	88, 102, 110–114, 123, 603
BPROT Register.....	135
Branch Instructions	225, 502–525
Branch Offset	212
Break	341
Bulk Erase.....	138
Bus Timing	252–254, 376
Bypass Counter	105, 377, 382
Bypass Power Supply	46, 77
BYTE (Bit in PPROG)	136
Byte Erase.....	129, 139

C

CBYP (Bit in TEST1).....	105, 377, 382
CCF (Bit in ADCTL).....	476
CCR	105, 203, 223
CD-CA (Bits in ADCTL).....	477
CFORC Register	242–244, 420, 421
Chains (Clock Divider).....	375–379
Charge Conservation.....	460–470
Charge Pump	76, 130, 134, 472
Charge Redistribution	460
Charge Sharing	480–485
Charge Trapping	150
Cheater Latch.....	240

Clock Divider Chains	375–379
Clock Monitor	172, 182
CME (Bit in OPTION)	99, 173
Condition Code Register	105, 203, 223
CONFIG Mechanism	90, 104
CONFIG Register	57, 77, 90, 106, 108, 115, 139, 141, 145, 152
Configuration	90, 106
Conversion Sequence	460–466, 475
COP Watchdog	170, 377, 386
Timeout Tolerance	172, 386
COPRST Register	172
Counter Bypass	105, 377, 382
CPHA (Bit in SPCR)	294, 301
CPOL (Bit in SPCR)	294, 301
CPU	197, 487
Memory-Mapped I/O	198
Programmer's Model	199
Status Flags in CCR	203, 225, 502–525
CR1, CR0 (Bits in OPTION)	100, 172, 386
Crystal Oscillator	50, 55, 99, 161, 169–174
CSEL (Bit in OPTION)	99, 134, 473
CWOM (Bit in PIOC)	73, 253–255, 288

D

Data Direction	236, 263–264
DDRA7 (Bit in PACTL)	242–245, 416, 448
DDRC Register	253–256
DDRD Register	263–264, 298, 325
Derivatives	32
Direct Page Addressing	96, 124, 208
Disable Resets	171, 173
DISR (Bit in TEST1)	105, 171, 173
Divide	177, 217, 543, 544
DLY (Bit in OPTION)	99, 376

Double Accumulator 200
 Double-Byte Read 234, 374, 391
 Double-Byte Write 234, 410
 DWOM (Bit in SPCR) 61, 111, 263–276, 298, 326

E

E 50, 74, 254, 375–376
 Edge Sensitive 99, 193, 194
 EDGxB, EDGxA (Bits in TCTL2) 392
 EELAT (Bit in PPROG) 137
 EEON (Bit in CONFIG) 93
 EEPGM (Bit in PPROG) 137
 EEPROM 57, 76, 91, 127
 Cell 130
 Charge Pump 76, 130, 134, 472, 474
 Configuration Register 57, 77, 91, 106, 108, 115,
 139, 141, 145, 152
 Erase 130, 138–139, 145
 Mapping 41, 93, 128
 Programming 58, 76, 131, 138, 144, 145
 Security 92, 140
 EGA (Bit in PIOC) 260, 289
 ERASE (Bit in PPROG) 137
 Erase Before Write 152
 EVEN (Bit in PPROG) 136
 Expanded Mode 62, 77, 252
 EXTAL Pin 50, 68, 161
 Extended Addressing 208
 Extending Pulse Accumulator Range 451, 454
 Extending Timer Range 401
 External Reset 174

F

FCM (Bit in TEST1) 106
 FCOP (Bit in TEST1) 106

FE (Bit in SCSR)	337, 355–356
Flag Clearing	195, 387
Floating Gate	130–133
Floating Input	64, 70
FOC5-FOC1 (Bits in CFORC)	242, 421
Forced Output Compares	242, 420
Fractional Divide	177, 217, 543
Free-Running Counter	373, 421, 423

G

Gated Time Accumulation	444, 453, 456
-------------------------------	---------------

H

Half Flip-Flops	238
Handshake I/O	63, 281
Highest Priority Interrupt	178–184
HNDS (Bit in PIOC)	249, 288
HPRIO Register	88, 178
Hysteresis Input Buffer	238

I

I Bit	176–183, 190, 205, 223
IC3-IC1 Pins	61, 68, 193, 238
ICxF (Bits in TFLG1)	392
ICxI (Bits in TMSK1)	392
IDLE (Bit in SCSR)	186, 331, 335
Idle Line Wakeup	342, 356
ILIE (Bit in SCCR2)	186, 331
Illegal Opcode	104, 188
Immediate Addressing	206
Index Register	200, 210, 221
Indexed Addressing	210
Indexed Offset	200, 210
Inherent Addressing	211

INIT Register	95, 124, 209, 235
Input Capture	371, 389, 423
Input Handshake	283
Instruction Set	213, 487
Integer Divide	177, 217, 544
Interlocked	284, 288
Interrupt Driven	393
Interrupts	
Bootstrap	112
Flag Clearing	195, 387
Global Inhibit Masks	176, 190, 205, 223
Interrupt Process	175
Local Enables	177
Non-Maskable	186
Pins	58, 193, 290, 406, 455
Priority Selection	178
Vector	160, 178, 182
INVB (Bit in PIOC)	249, 289, 290
$\overline{\text{IRQ}}$	58, 76, 99
IRQE (Bit in OPTION)	99, 193
IRV (Bit in HPRIO)	81, 82, 89, 109, 179
IX (CPU Index Register X)	200
IY (CPU Index Register Y)	200

L

Latched Inputs at Port C	236, 255–258, 281
Latchup	67, 70, 478
Level Sensitive	99, 193, 194
Life Expectancy (EEPROM)	150
$\overline{\text{LIR}}$ (Debug Aid)	82, 104
$\overline{\text{LIR}}$ Pin	46, 73
Logic (see Pin Logic Diagrams)	
Listing of Timer Examples	425
LVI (Low-Voltage Inhibit)	175

M

M (Bit in SCCR1)	330, 339
Mapping	
EEPROM	41, 93, 128
External Conflicts	81, 83, 96, 116
RAM and Registers	84, 95, 124
Resolving Priority	96
Mark (SCI Data High Level)	357
Maskable Interrupts	190
MC68HC11A8 Block Diagram	29
MDA (Bit in HPRIO)	89, 109, 179
Measuring Long Time Periods	401, 454
Measuring Short Time Periods	401
Memory Addressing Modes	206
MISO Pin	61, 72, 266, 297, 300
MODA Pin	46, 73, 87
MODB Pin	46, 74, 87
Mode Fault	303
Mode Selection	46, 86, 166
Modem Control	335
MODF (Bit in SPSR)	302
MOSI Pin	61, 72, 269, 297, 299
MSTR (Bit in SPCR)	301
MULT (Bit in ADCTL)	476
Multiplexed Bus	62, 78–79, 251
Multiplexer (On A-to-D Inputs)	70, 71, 278, 472, 474
Multiply (MUL) Instruction	177, 560

N

NF (Bit in SCSR)	336, 349–352, 355
NOCOP (Bit in CONFIG)	92, 106, 171
Non-Maskable Interrupts	181
Normal Expanded Mode	77, 101
Normal Modes	101

Normal Single-Chip Mode 81, 101
 NOSEC (Bit in CONFIG) 92, 141
 NRZ 318

O

OC1D Register 407, 415
 OC1D7-OC1D3 (Bits in OC1D) 242, 416
 OC1M Register 407, 415
 OC1M7-OC1M3 (Bits in OC1M) 240, 416
 OC2/OC1 Pin 61, 74, 240, 407
 OC3/OC1 Pin 61, 74, 240, 407
 OC4/OC1 Pin 61, 74, 240, 407
 OC5/OC1 Pin 61, 74, 240, 407
 OCCR (Bit in TEST1) 105
 OCxF (Bits in TFLG1) 411
 OCxI (Bits in TMSK1) 411
 ODD (Bit in PPROG) 136
 Offset (Branch) 212
 Offset (Indexed) 200, 210
 OIN (Bit in PIOC) 289
 OL5-OL2 (Bits in TCTL1) 242, 413
 OM5-OM2 (Bits in TCTL1) 242, 413
 Open-Drain Output (see [CWOM](#), [DWOM](#), [RESET](#), and [LIR](#)) . . . 73, 253
 OPTION Register 99, 386, 472–474
 OR (Bit in SCSR) 186, 336, 355
 Oscillator 161, 169
 Crystal 50, 55, 99
 Output Compare 372, 406, 424
 Output Handshake 285

P

PA2-PA0 Pins 61, 68, 238
 PA6-PA3 Pins 61, 74, 240
 PA7 Pin 61, 72, 242

PACNT Register	447, 458
PACTL Register	385, 448
PAEN (Bit in PACTL)	448
PAI Pin	61, 72, 242, 450
PAIF (Bit in TFLG2)	450
PAII (Bit in TMSK2)	450
PAMOD (Bit in PACTL)	444, 448
PAOVF (Bit in TFLG2)	449
PAOVI (Bit in TMSK2)	449
PB7-PB0 Pins	62, 74, 245
PC7-PC0 Pins	62, 72, 251
PD5-PD0 Pins	61, 73, 111, 261, 344
PE7-PE0 Pins	59, 70, 278, 478
PEDGE (Bit in PACTL)	449
Period of a Signal	393
Periodic Interrupt	382
PH2 (Internal Clock Signal)	254, 376
Phase 2 (PH2)	254, 376
Pin Assignments	37
MC68HC11A8	38
MC68HC11D3/711D3	39
MC68HC11E9/711E9	41
MC68HC11F1	43
MC68HC24	44
MC68HC811E2	42
Pin Logic Diagrams	238
AS	260
Port A	239, 241, 243
Port B	246
Port C	252, 255
Port D	262, 264, 267, 270, 272, 275
Port E	279
R/W	249
STRA	260
STRB	249

Pin Protection	66
Analog Input	70, 478
Digital I/O	72
Digital Input Only	68
Digital Input/Open-Drain	73
Digital Output Only	74
$\overline{\text{IRQ}}/V_{\text{PPBULK}}$	76
$\text{MODB}/V_{\text{STBY}}$	74
Pins	
A15-A8	62, 77–79, 245
AD7-AD0	62, 77–79, 251
AN7-AN0	59, 70, 278, 478
AS	62, 72, 78, 254, 259
E	50, 74, 254
EXTAL	50, 68, 161
ICx	61, 68, 193, 238
$\overline{\text{IRQ}}$	58, 76
$\overline{\text{LIR}}$	46, 73
MISO	61, 72, 266, 297, 300
MODA	46, 73, 87
MODB	46, 74, 87
MOSI	61, 72, 269, 297, 299
OCx/OC1	61, 74, 240, 407
PA2-PA0	61, 68, 238
PA6-PA3	61, 74, 240
PA7	61, 72, 242
PAI/OC1	61, 72, 242, 450
PB7-PB0	62, 74, 245
PC7-PC0	62, 72, 251
PD5-PD0	61, 73, 111, 261, 344
PE7-PE0	59, 70, 278, 478
$\overline{\text{R/W}}$	62, 74, 83, 248
$\overline{\text{RESET}}$	56, 73, 161, 167
RxD	61, 73, 262
SCK	61, 73, 272, 297, 299
$\overline{\text{SS}}$	61, 73, 274, 297, 299
STRA	62, 72, 259, 290
STRB	62, 74, 248, 290

TxD	61, 73, 107, 264, 344
V _{DD}	45
V _{PP} (V _{PPBULK})	58, 76
V _{REFH} , V _{REFL}	59, 65, 70, 472
V _{SS}	45, 66
V _{STBY}	46, 57, 74, 125
XIRQ	58, 68, 186, 205
XTAL	50, 72
PIOC Register	97, 234, 286
PLCC	38
PLS (Bit in PIOC)	289
Polled Interrupts	384, 393
POR	169
Port A Pins	61, 68, 72, 238
Port B Pins	62, 74, 245
Port C Pins	72, 251, 255
Port D Pins	61, 73, 111, 261, 344
Port E Pins	59, 70, 278, 478
Port Replacement Unit (MC68HC24)	37, 44, 83, 97, 102, 231, 248, 250, 259, 261, 282
PORTA Register	231, 234, 238
PORTB Register	232, 234, 245
PORTC Register	232, 234, 251
PORTCL Register	234, 236, 255, 283, 290
PORTD Register	234, 261, 325
PORTE Register	234, 278
Postscaler	375, 377
Power Consumption	64, 227, 228, 378, 581, 598
Power-On Reset	169, 175
PR1, PR0 (Bits in TMSK2)	98, 379
Prebyte	206
Prescaler (Baud Rate)	327, 358
Prescaler (Main Timer)	98, 378
PROG Register	134
Program More Zeros	144, 151

Programmable Prescaler	98, 378
Programming	58, 76, 131, 138, 144, 145
Protected Registers	94, 135
Protection Device	68, 238
PRU	37, 44, 83, 97, 102, 231, 248, 250, 259, 261, 282
PSEL3-PSEL0 (Bits in HPRIO)	180
Pseudo Vector	112, 414
Pulse Accumulator	443
Block Diagram	445
Event Counting	444, 450
Overflows	445, 449, 451, 453, 457
Resolution	444
Time Accumulation	444, 453, 456
Pulse Width	396, 453
Pulsed Operation	284, 289
Pulse-Width Modulation	417
PWM	417

Q

Quantizing Error	466–470
Queued Break	341
Queued Idle	341

R

$\overline{R/W}$ Pin	62, 74, 83, 248
R8 (Bit in SCCR1)	330
RAM	124
RAM Standby	46, 48, 74, 125
RAM3-RAM0 (Bits in INIT)	95, 125
RBOOT (Bit in HPRIO)	88, 109, 179
RC Oscillator	134, 473
RCKB (Bit in BAUD)	107, 328
RDR Register	196, 337
RDRF (Bit in SCSR)	186, 196, 335, 363
RE (Bit in SCCR2)	186, 263, 326, 332

Real-Time Interrupt	377, 382
Receiver Wakeup	330, 332, 339, 342, 356
REG3-REG0 (Bits in INIT)	95, 235
Relative Addressing	212
Reset	
Clock Monitor	106, 172, 174
CONFIG Settings	91, 164, 165
COP Watchdog	106, 170
Determining Source of Reset	167, 174
External Circuits	57, 117, 175
External Reset	174
Initial Conditions	161
Power-On Reset	169, 376
Vector	115, 162, 167, 168
$\overline{\text{RESET}}$ Pin	56, 73, 161, 167, 174, 175
Return-from-Interrupt (RTI) Instruction	177, 181, 205, 414, 572
RIE (Bit in SCCR2)	186, 331
ROM	93, 122
ROM (Bootloader)	88, 102, 110–114, 123, 603
ROMON (Bit in CONFIG)	93, 105
ROW (Bit in PPROG)	136
Row Erase	139
RTIF (Bit in TFLG2)	384
RTII (Bit in TMSK2)	384
RTR1, RTR0 (Bits in PACTL)	385
RWU (Bit in SCCR2)	332, 339, 342, 357
RxD Pin	61, 73, 262

S

Sample and Hold	459, 460
SAR	461–466
SBK (Bit in SCCR2)	333, 341
SCAN (Bit in ADCTL)	476
SCCR1 Register	329
SCCR2 Register	331

SCDR Register	337
SCI (Serial Communications Interface)	317
8- and 9-Bit Data Mode	339
Baud Rate	357
Data Sampling	346
Double-Buffered Receive	355
Double-Buffered Transmit	334, 338
Extra Stop Bit	339
Framing Error	336, 337
Idle Line	335
Noise Flag	336, 347
Parity	339
Preamble	331, 342
Receiver	346
Receiver Block Diagram	321
Transmitter	338
Transmitter Block Diagram	319
SCK Pin	61, 73, 272, 297, 299
SCP1, SCP0 (Bits in BAUD)	327, 358–360
SCR2-SCR0 (Bits in BAUD)	328, 358–360
SCSR Register	333
Security	92, 116, 141
Selective Write	144, 150
Send Break	341
Service Routine	176, 396–401
Single-Chip Mode	81, 101
SMOD (Bit in HPRIO)	89, 103–107, 179
Software Interrupt	183, 189, 227, 587
SPCR Register	300
SPDR Register	295, 298, 304, 310
SPE (Bit in SPCR)	267–276, 301
Special Bootstrap Mode	87, 102–114
Special Modes	87, 102
Special Test Mode	77, 82, 83, 87, 89, 102

SPI (Serial Peripheral Interface)	291
Block Diagram	295
Double Buffered Receive	295
Error Conditions	303
Pin Direction Controls	295
Software Equivalent of	311, 315–316
\overline{SS} Between Successive Transfers	295
Transfer End Details	306
Transfer Formats	293
Transfer Start Details	305
SPIE (Bit in SPCR)	300
SPIF (Bit in SPSR)	302, 308
SPR1, SPR0 (Bits in SPCR)	301, 377
SPSR Register	302
\overline{SS} Pin	61, 73, 274, 297, 299
Stack Pointer	201, 222
Stacking CPU Registers	177
STAF (Bit in PIOC)	287
STAI (Bit in PIOC)	288
Start Bit (SCI)	346–352
Stop Bit	319, 337
Stop Disable	173, 203, 205, 223
STOP Instruction	173, 188, 228, 581
Stop Mode	86, 99, 188
STRA Pin	62, 72, 290
STRB Pin	62, 74, 248, 290
Strobed I/O	281
Successive Approximation	461–466
SWI	183, 189, 227, 587
Synchronous Serial I/O	291

T

T8 (Bit in SCCR1)	330, 339
TC (Bit in SCSR)	186, 334, 363
TCIE (Bit in SCCR2)	186, 331

TCLR (Bit in BAUD)	107, 327
TCNT Register	374, 421–423
TCON (Bit in TEST1)	106
TCTL1 Register	412
TCTL2 Register	392
TDR Register	196, 337
TDRE (Bit in SCSR)	186, 334, 363
TE (Bit in SCCR2)	186, 265, 326, 331, 344, 361
Termination of Unused Pins	64
Test Control Bits	88, 89, 104, 327
TEST Instruction	189, 228, 591
Test Mode	77, 87, 102, 115
TEST1 Register	104
TFLG1 Register	387, 391, 410
TFLG2 Register	381, 384, 387, 449
Thick-Field Device	68, 238
Three-State Handshake	286
TIC1 Register	390
TIC2 Register	390
TIC3 Register	390
TIE (Bit in SCCR2)	186, 331
TILOP (Bit in TEST1)	104
Timer	367
Block Diagram	370
Capture Inhibit	392, 424
Compare Inhibit	409, 425
Counter	373, 421–423
Double-Byte Read	374, 423
Input Capture	371, 389, 423
Output Compare	372, 406, 424
Output Toggle	407, 413, 420
Overflow	379, 380, 401
Prescaler	378
Range	378
Resolution	378

TMSK1 Register	391, 410
TMSK2 Register	98, 379, 381, 384, 449
TOC1 Register	407
TOC2 Register	407
TOC3 Register	407
TOC4 Register	407
TOC5 Register	407
TOF (Bit in TMSK2)	381
TOI (Bit in TMSK2)	381
Transfer Characteristic	467–470
Transmission Gate	239, 472
Trapped Charge	150
TxD Pin	61, 73, 107, 264, 344

U

UART (see SCI)	317
---------------------------------------	-----

V

V _{DD} Pin	45
Vector (Interrupt)	160, 178, 182
Vector (Reset)	115, 160, 162, 167
Visibility of Internal Reads	81, 82, 89, 109, 179
V _{PP} Pin (V _{PPBULK} Pin)	58, 76, 130, 134
V _{REFH} , V _{REFL} Pins	59, 65, 70
V _{SS}	45, 52, 66
V _{STBY} Pin	46, 57, 74, 125

W

WAI Instruction	227, 598
Wait for Interrupt	227, 598
Wait Mode	86, 227, 598
WAKE (Bit in SCCR1)	330, 356
Watchdog	170, 377, 386
WCOL (Bit in SPSR)	302

Wired-OR I/O 61, 73, 288, 298
Write Collision..... 304, 309
Write-Erase Cycles 143, 150

X

X Bit 176, 177, 187, 223
 $\overline{\text{XIRQ}}$ Pin 58, 68, 186, 205
XTAL Pin 50, 72

Z

Zap 67
Zero-Page Addressing 96, 124, 208

HOW TO REACH US:

USA/EUROPE/LOCATIONS NOT LISTED:

Motorola Literature Distribution;
P.O. Box 5405, Denver, Colorado 80217
1-303-675-2140 or 1-800-441-2447

JAPAN:

Motorola Japan Ltd.; SPS, Technical Information Center,
3-20-1, Minami-Azabu Minato-ku, Tokyo 106-8573 Japan
81-3-3440-3569

ASIA/PACIFIC:

Motorola Semiconductors H.K. Ltd.;
Silicon Harbour Centre, 2 Dai King Street,
Tai Po Industrial Estate, Tai Po, N.T., Hong Kong
852-26668334

TECHNICAL INFORMATION CENTER:

1-800-521-6274

HOME PAGE:

<http://www.motorola.com/semiconductors>

Information in this document is provided solely to enable system and software implementers to use Motorola products. There are no express or implied copyright licenses granted hereunder to design or fabricate any integrated circuits or integrated circuits based on the information in this document.

Motorola reserves the right to make changes without further notice to any products herein. Motorola makes no warranty, representation or guarantee regarding the suitability of its products for any particular purpose, nor does Motorola assume any liability arising out of the application or use of any product or circuit, and specifically disclaims any and all liability, including without limitation consequential or incidental damages. "Typical" parameters which may be provided in Motorola data sheets and/or specifications can and do vary in different applications and actual performance may vary over time. All operating parameters, including "Typicals" must be validated for each customer application by customer's technical experts. Motorola does not convey any license under its patent rights nor the rights of others. Motorola products are not designed, intended, or authorized for use as components in systems intended for surgical implant into the body, or other applications intended to support or sustain life, or for any other application in which the failure of the Motorola product could create a situation where personal injury or death may occur. Should Buyer purchase or use Motorola products for any such unintended or unauthorized application, Buyer shall indemnify and hold Motorola and its officers, employees, subsidiaries, affiliates, and distributors harmless against all claims, costs, damages, and expenses, and reasonable attorney fees arising out of, directly or indirectly, any claim of personal injury or death associated with such unintended or unauthorized use, even if such claim alleges that Motorola was negligent regarding the design or manufacture of the part.



Motorola and the Stylized M Logo are registered in the U.S. Patent and Trademark Office. digital dna is a trademark of Motorola, Inc. All other product or service names are the property of their respective owners. Motorola, Inc. is an Equal Opportunity/Affirmative Action Employer.

© Motorola, Inc. 2002

M68HC11RM/D